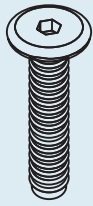


# Parts & Hardware



QTY

10\*

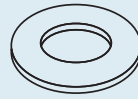
QTY

10\*

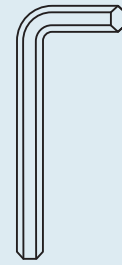
QTY

1

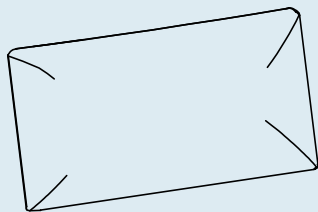
Pt. 1695



Pt. 3002



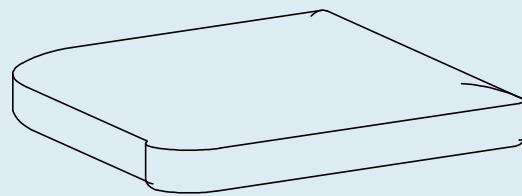
Pt. 9026



QTY

2\*

Back Cushion



QTY

2\*

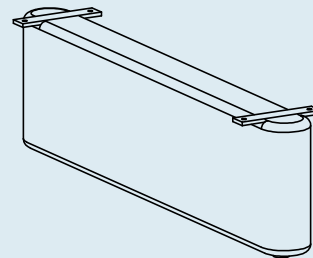
Seat Cushion



QTY

1\*

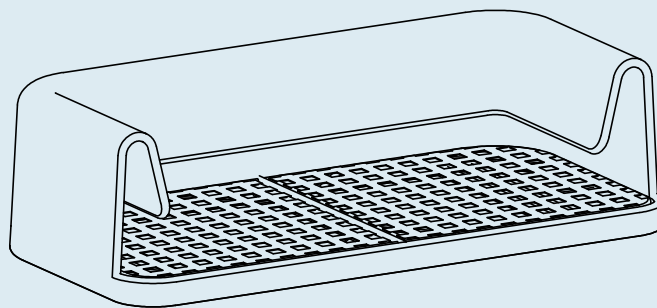
Center Leg



QTY

2

Outside Leg



QTY

1

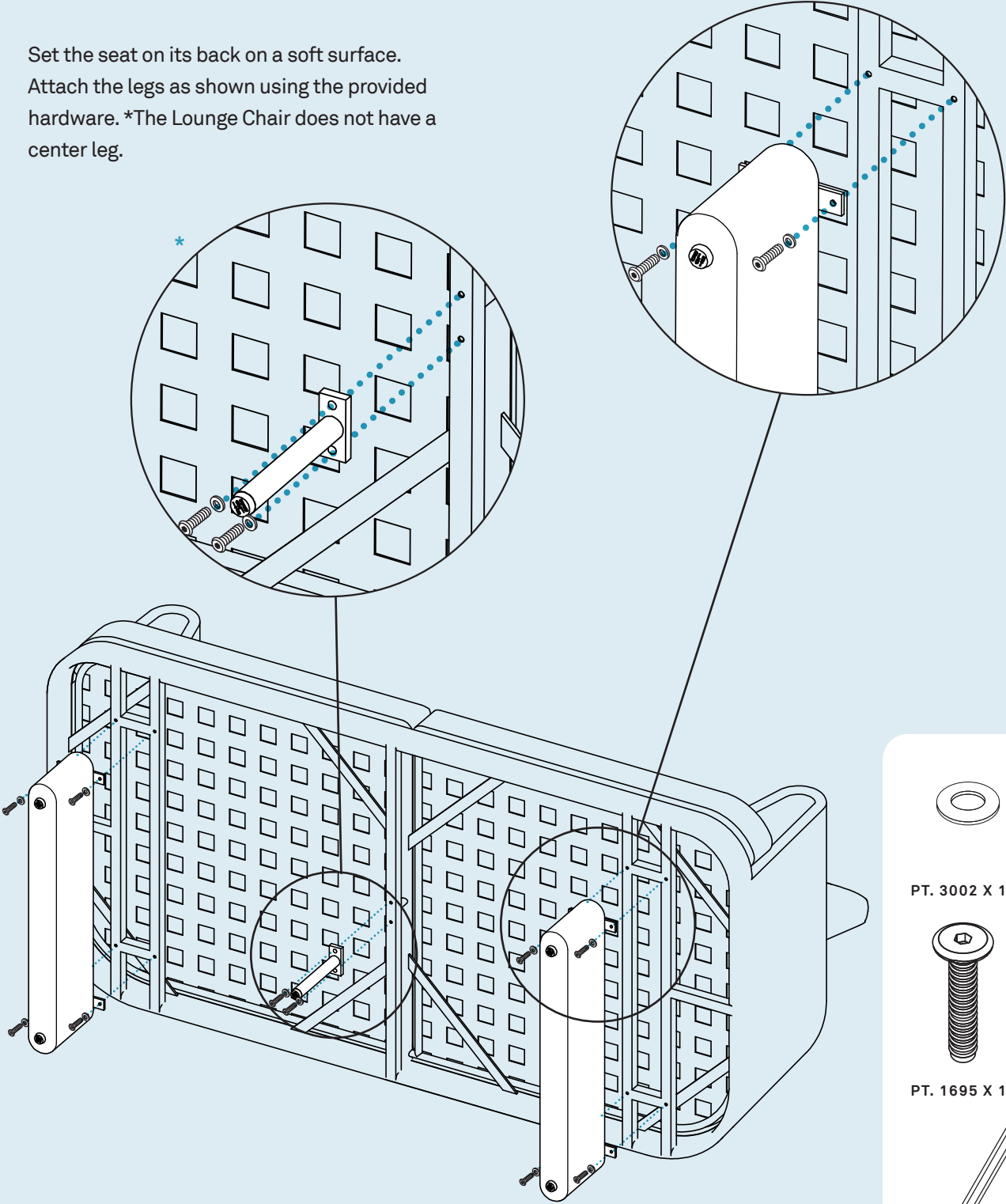
Seat

\*Lounge Chair has eight Pt. 1695 and Pt. 3002, no center leg, and one of each cushion.

# Step 01

## ATTACH THE LEGS.

Set the seat on its back on a soft surface.  
Attach the legs as shown using the provided hardware. \*The Lounge Chair does not have a center leg.



PT. 3002 X 10\*

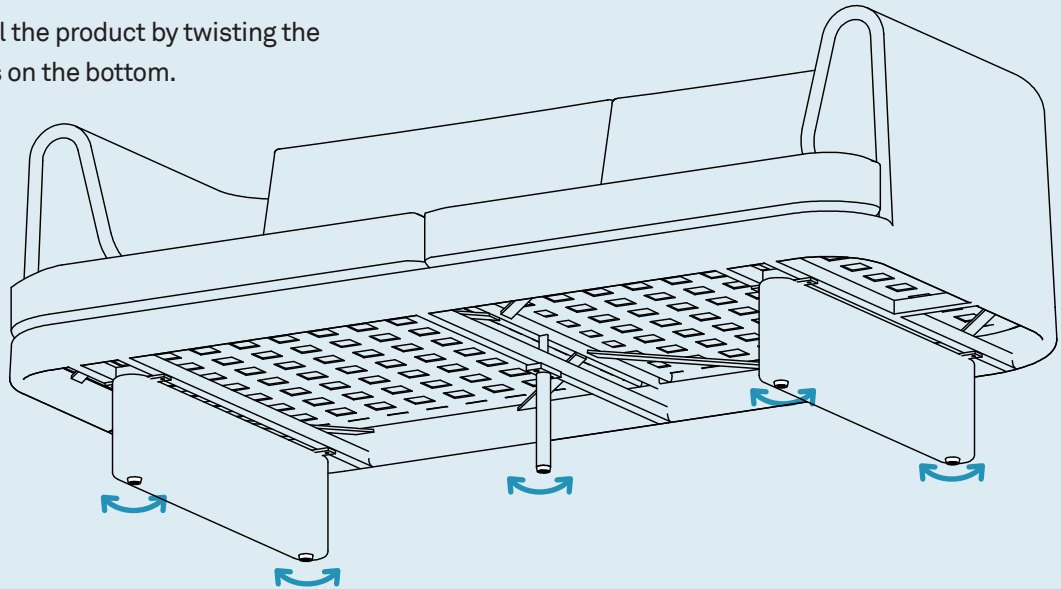
PT. 1695 X 10\*

PT. 9026 X 1

## Step 02

### ADJUST THE GLIDES.

If necessary, level the product by twisting the adjustable glides on the bottom.



## Additional Information

### NOTE

This product is upholstered with Sunbrella® fabrics. Sunbrella fabrics are treated to be water and stain repellent, and do not promote mildew growth. We recommend regular cleaning as mildew can grow on dirt and dust embedded in the fabric.

### CLEAN

Vacuum your upholstery regularly, this will help prevent dirt and dust from becoming embedded in the fabric. To remove minor wrinkles, we recommend using an iron on the synthetic setting.

### SPILLS

Act quickly with spills. Blot the spill with a clean white cloth or paper towel. Never rub the surface. Apply a solution of mild dish soap and water to the surface containing the spill. Rinse the fabric surface thoroughly to remove any residue, working from seam to seam. Air Dry. Consult a commercial cleaning specialist for removal of stubborn stains.

### MOLD AND MILDEW STAINS

Mildew can grow on dirt and dust embedded in the fabric. Before cleaning we recommend moving the furniture piece to a safe work space or covering the surrounding floor. To remove mold or mildew stains we recommend applying a solution of 1 cup bleach and ¼ cup mild dish soap per 1 gallon of water. Allow the solution to set for up to 15 minutes. Clean the entire surface with a soft sponge and rinse thoroughly to remove any residue, working from seam to seam. Air dry completely before using.

### AVOID

Avoid placing heavy or sharp objects on the furniture surface for long periods of time; this can cause permanent surface indentations. For snags in the fabric, tuck loose threads into fabric or carefully push to reverse side. Never pull out or cut off loose threads. Do not use a fabric steamer to remove wrinkles, this can damage the fabric.

Sunbrella® is a registered trademark of Glen Raven, Inc.

