

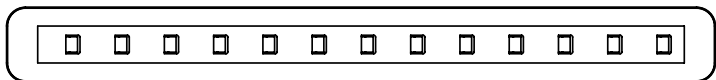
LOGS MIRROR

ASSEMBLY INSTRUCTION

W0UD

ASSEMBLY INSTRUCTION

**PLEASE GO THROUGH THE FOLLOWING
STEPS CAREFULLY. RETAIN THIS MANUAL
FOR FUTURE REFERENCE TO ENSURE THAT
YOUR NEW ITEM IS CORRECTLY ASSEMBLED
IN CASE IT SHOULD BE DISASSEMBLED OR
MOVED. WE ARE NOT RESPONSIBLE FOR
ANY FAULTS OR DAMAGES CAUSED BY
NOT FOLLOWING THESE INSTRUCTIONS
CORRECTLY.**



A x 3 or 5



B x 2



B x 2

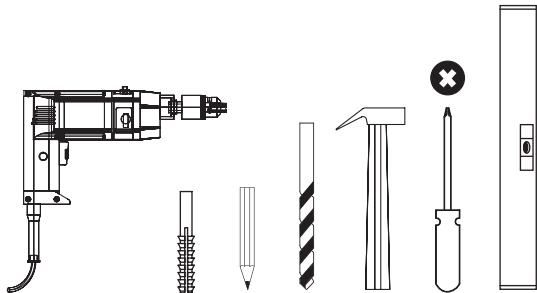


c x 6

TOOLS NEEDED

IMPORTANT!

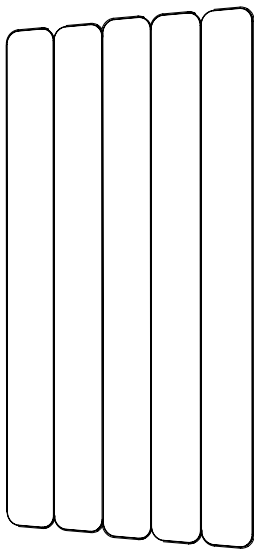
THESE ITEMS ARE NOT INCL. AND CAN BE PURCHASED IN THE STORES.
USE WALL PLUGS AND DRILLS SUITABLE FOR YOUR WALL. BE CAREFUL
WITH THIN/PLASTER/DRY WALLS AND SOLID CONCRETE WALLS. IN CASE
OF DOUBT, WE RECOMMEND THAT YOU ASK A PROFESSIONAL.



STEP 0

CHOOSE TO HANG THE MIRRORS VERTICAL OR HORIZONTAL.

VERTICAL MIRRORS



HORIZONTAL MIRRORS



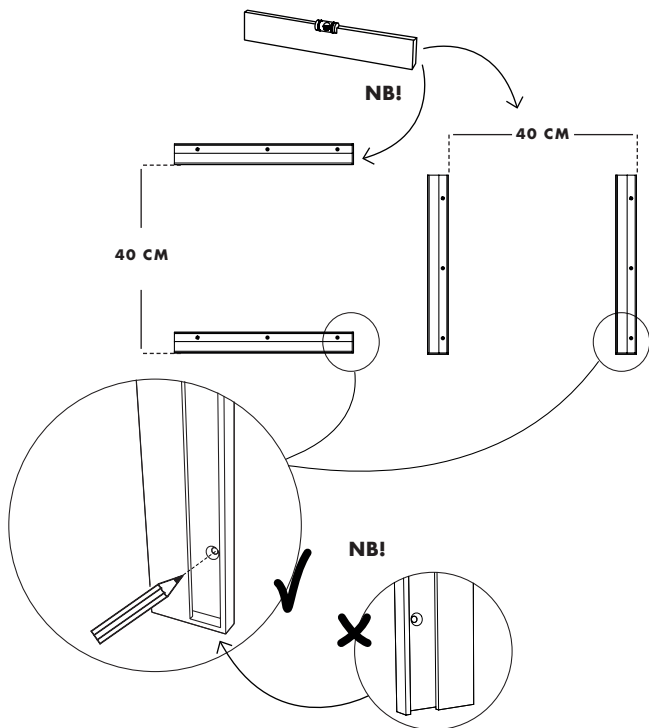
STEP 1

PLACE THE BRACKETS MIN. 40 CM APART. PLACE THE BRACKETS HORIZONTAL IF THE MIRROR SHOULD HANG VERTICAL OR PLACE THE BRACKETS VERTICAL IF THE MIRROR SHOULD HANG HORIZONTAL.

CHECK THE BRACKETS ARE TURNED CORRECTLY.

VERTICAL MIRROR

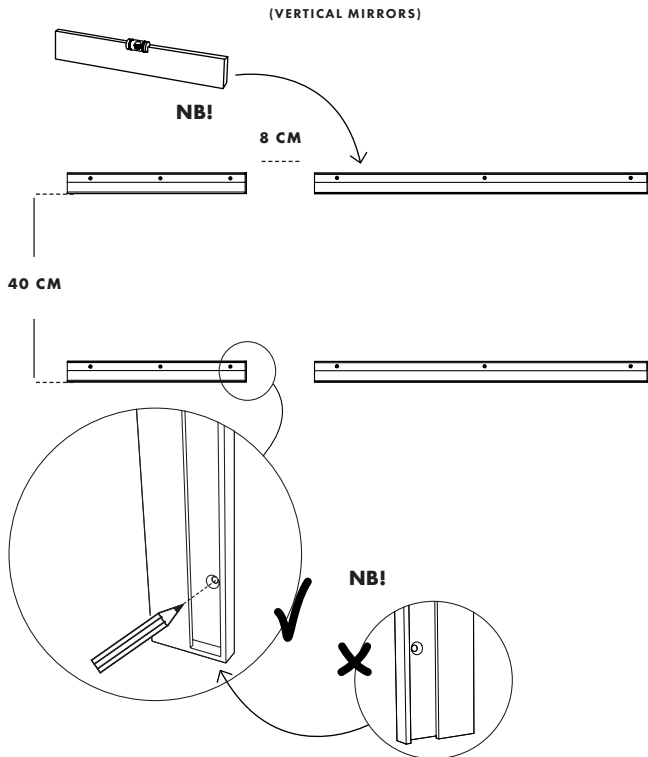
HORIZONTAL MIRROR



STEP 1.2

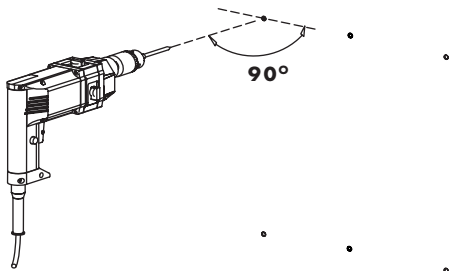
IF YOU ARE PLANNING TO HANG MORE MIRRORS THAN 3 OR 5. PLEASE FOLLOW THE ASSEMBLY INSTRUCTIONS BELOW. THE EXAMPLE IS FOR HANGING 8 VERTICAL MIRRORS.

CHECK THE BRACKETS ARE TURNED CORRECTLY.



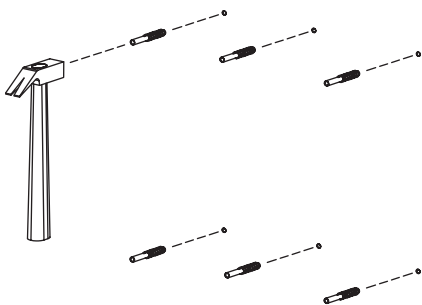
STEP 2

DRILL HOLES IN THE WALL AT THE POINTS THAT WERE MARKED IN THE PREVIOUS STEP 1. THE DRILL END IS NOT INCLUDED, WE RECOMMEND THAT YOU CHECK WHICH DRILL END IS SUITABLE FOR YOUR WALL.



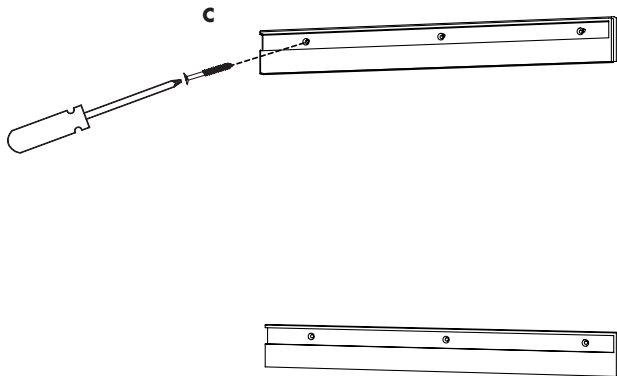
STEP 3

APPLY THE WALL PLUGS.
THE WALL PLUGS ARE NOT INCLUDED, WE RECOMMEND THAT YOU
CHECK WHICH PLUGS FITS YOUR WALL.



STEP 4

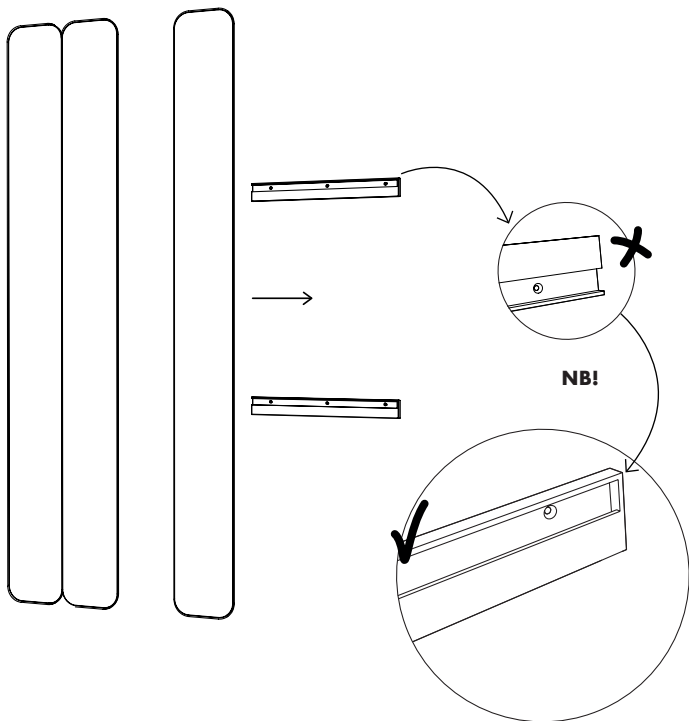
MOUNT THE FITTINGS TO THE WALL. MAKE SURE THE BRACKETS ARE TURNED THE RIGHT WAY, SO THE CLOSED END IS AT THE BOTTOM OR THE RIGHT HANDSIDE TO AVOID THE MIRRORS SLIDING THROUGH AND SMASHING.



STEP 5.1

MOUNT THE MIRRORS VERTICALLY ON THE FITTINGS.

CHECK AGAIN THAT THE BRACKETS ARE TURNED CORRECTLY.



STEP 5.2

MOUNT THE MIRRORS HORIZONTALLY ON THE FITTINGS.

CHECK AGAIN THAT THE BRACKETS ARE TURNED CORRECTLY.

