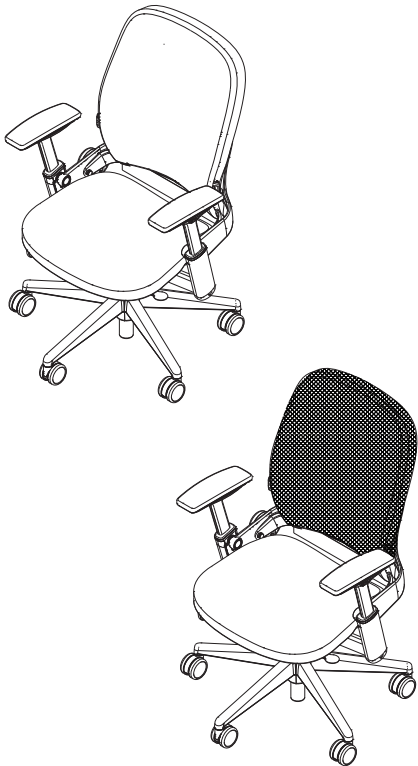
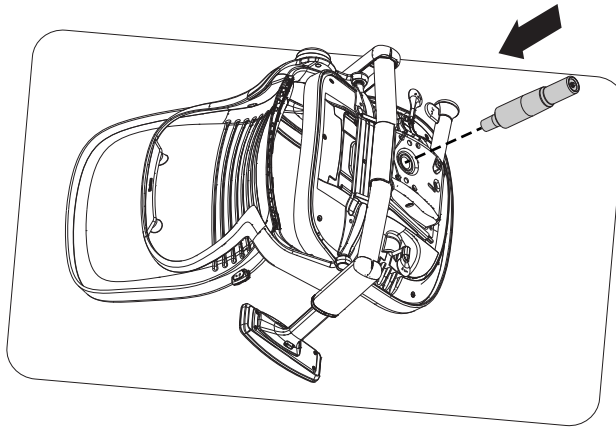




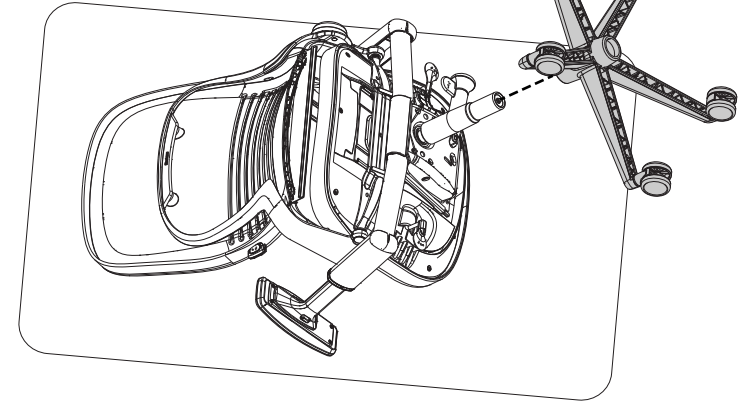
Scan this QR code to watch a Leap assembly tutorial



1



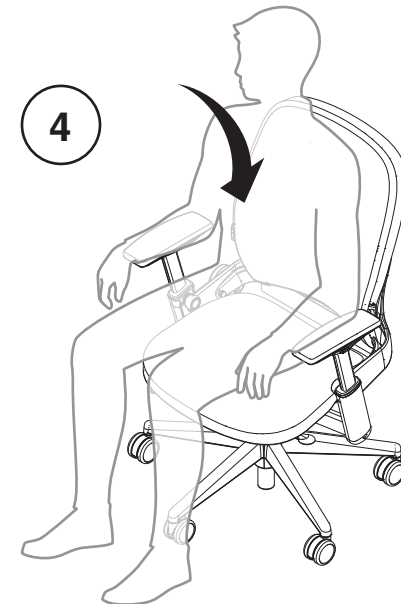
2



3



4



Note:
Sit in chair to securely lock components together and complete assembly