
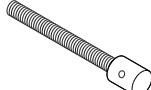
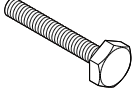
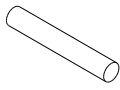


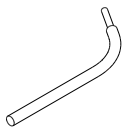
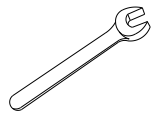


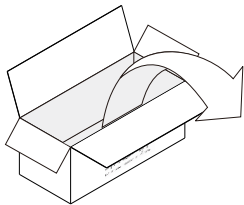
TEAK JACK OUTDOOR DINING TABLE ASSEMBLY INSTRUCTIONS FOR DINING TABLE INSTALLATION

HARDWARE ENCLOSED

 HALF MOON NUT (4 pcs)	 BOLT (4 pcs)	 BOLT (12 pcs) M8 x 60mm	 DOWEL (4 pcs) Ø12 x 30mm
 WASHER (12 pcs) M8x23	 SPRING WASHER (12 pcs) M8		

TOOLS

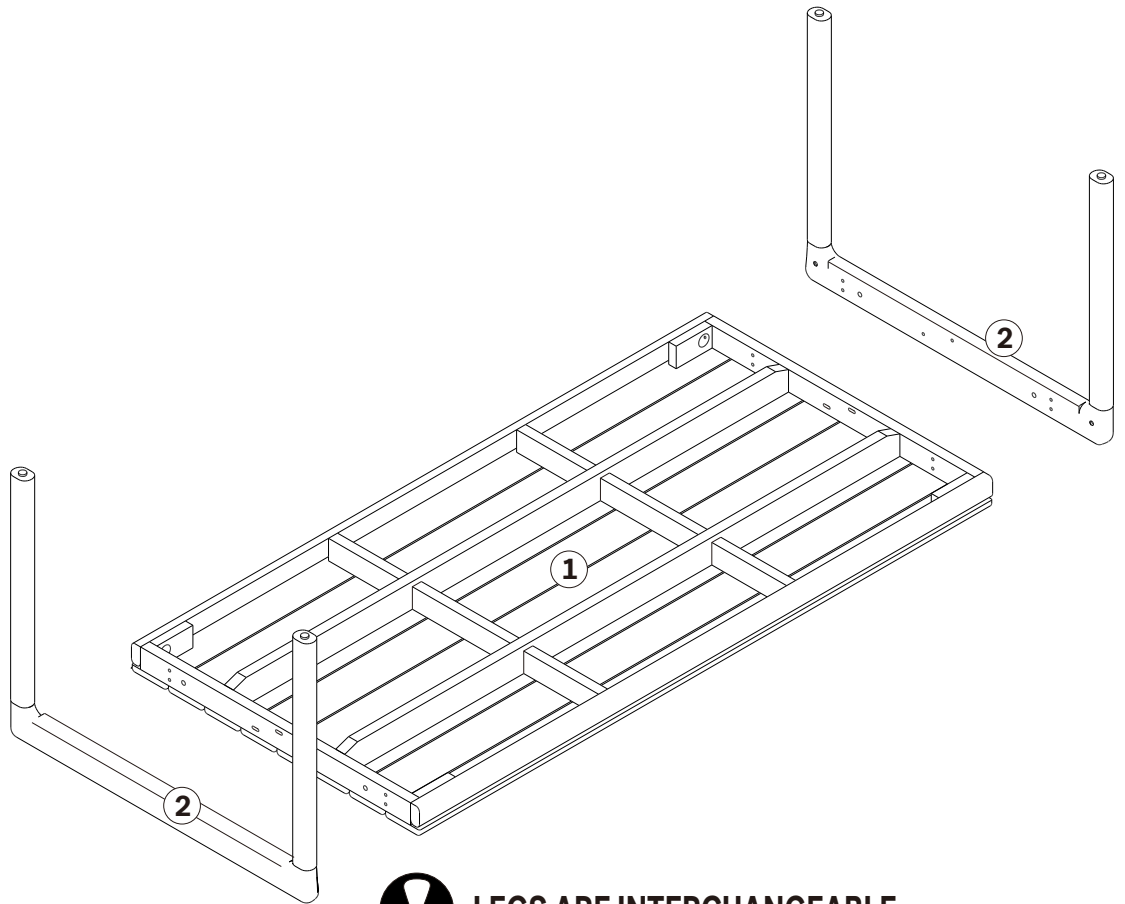
 KEY (Included in package)
 WRENCH (Included in package)



IN YOUR PACKAGE :
ASSEMBLY INSTRUCTION
HARDWARE (AS LISTED ABOVE)

PARTS TO BE INSTALLED :

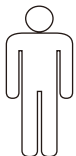
- 1. TABLE TOP 1pc
- 2. LEGS 2sets



SYMBOLS



DIRECTION



NUMBER OF
PERSONS NEEDED



LEGS ARE INTERCHANGEABLE



USE HAND

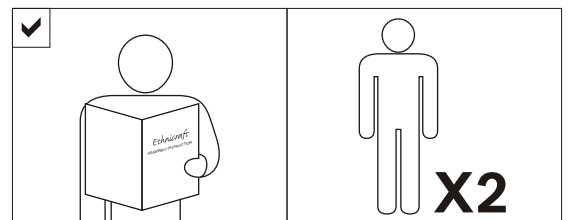


USE KEY
TO TIGHTEN



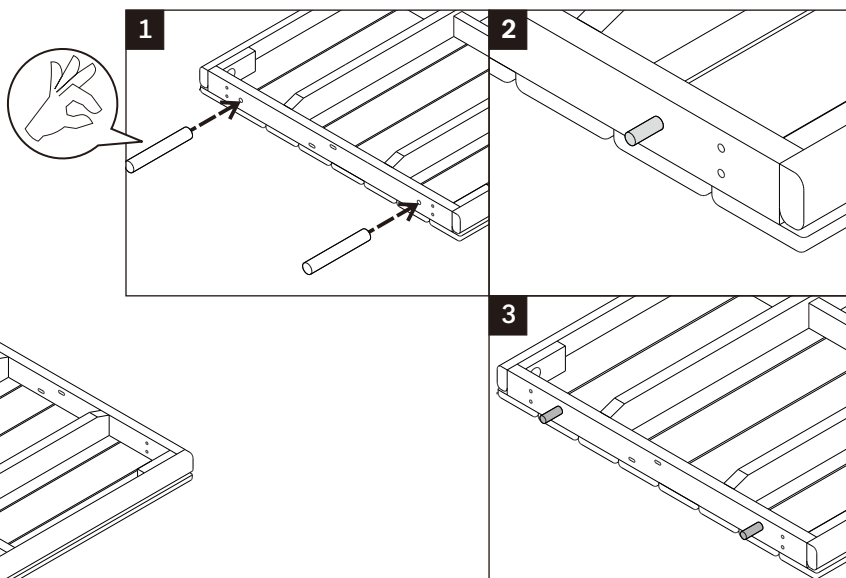
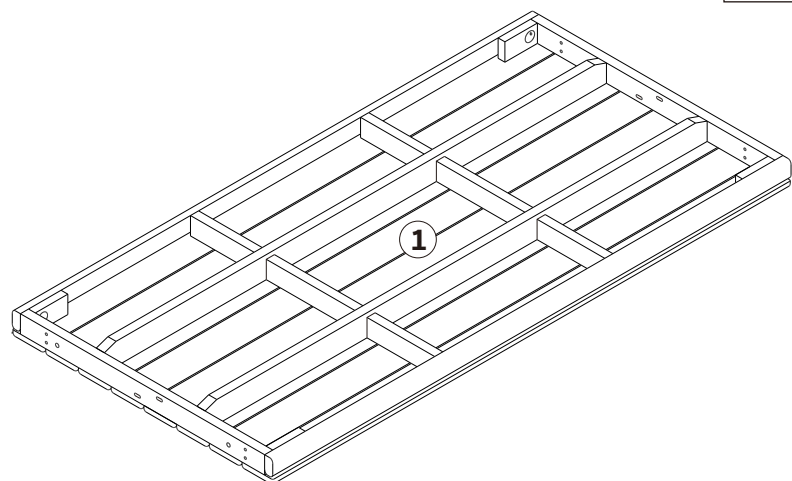
USE WRENCH
TO TIGHTEN

NOTICE



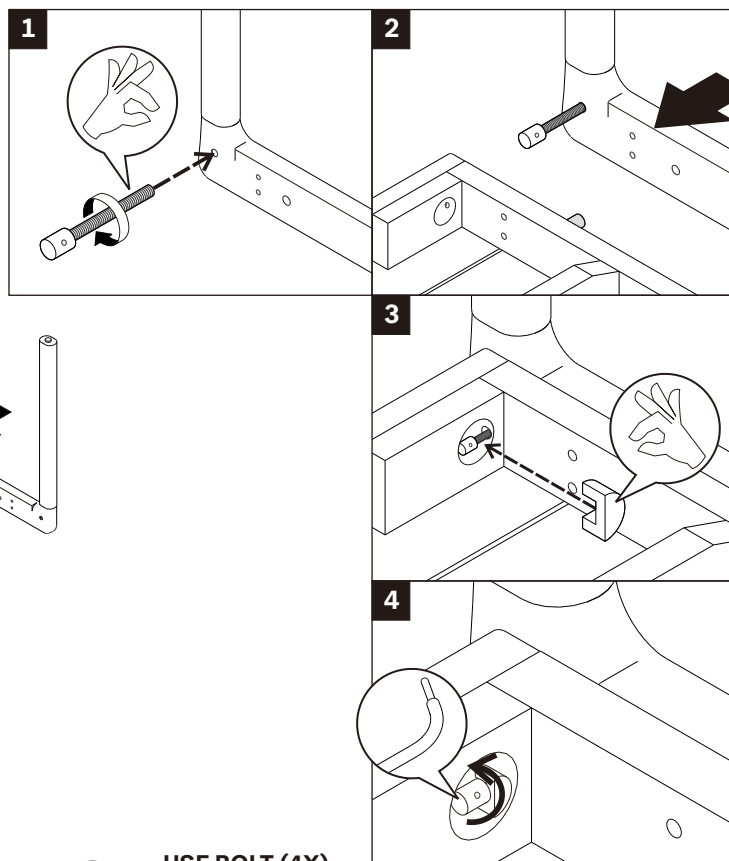
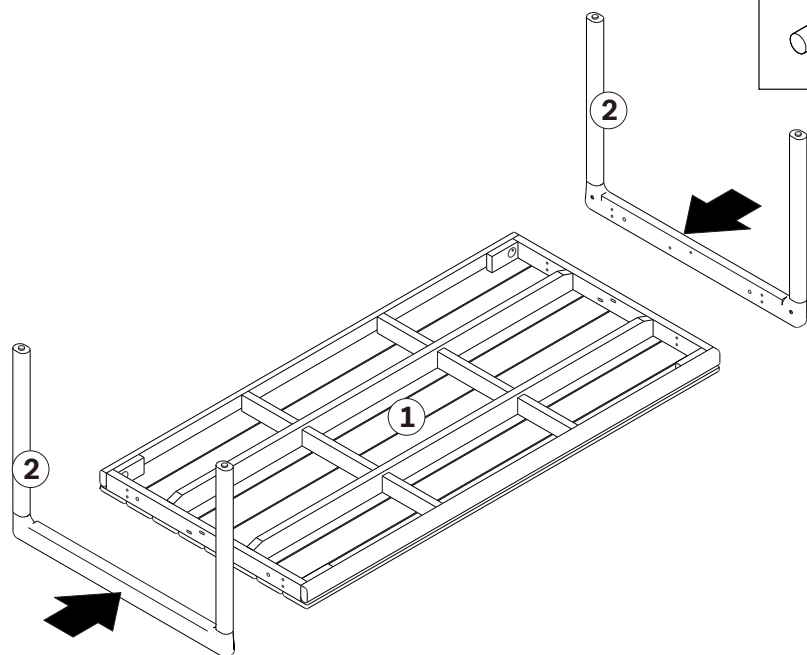
TEAK JACK OUTDOOR DINING TABLE ASSEMBLY INSTRUCTIONS FOR DINING TABLE INSTALLATION

1. INSTALLING DOWELS TO TABLE TOP



USE DOWEL Ø12 x 30mm (4X)

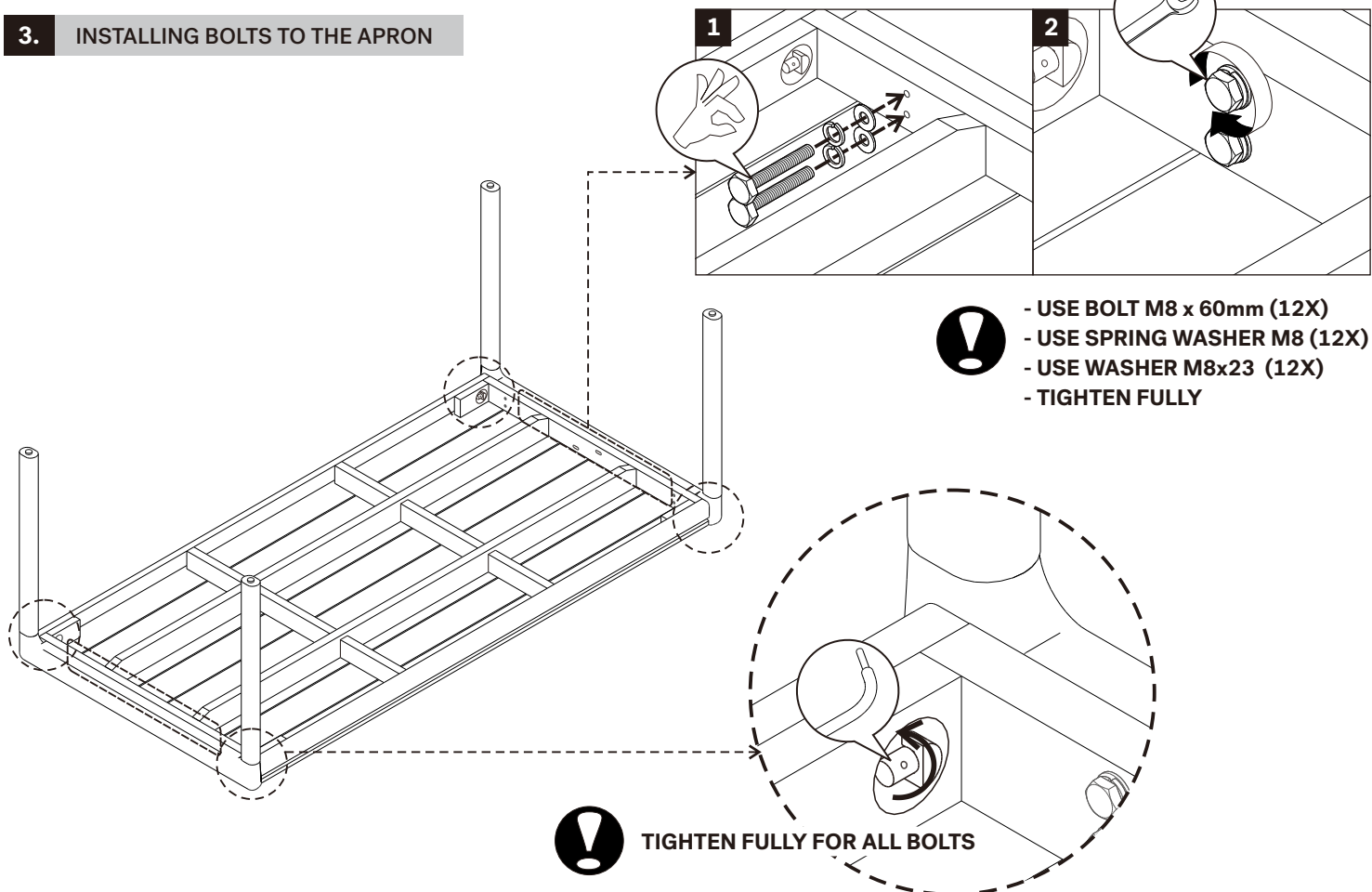
2. INSTALLING LEGS TO TABLE TOP



- USE BOLT (4X)
- USE HALF MOON NUT (4X)
- DO NOT FULLY TIGHTEN

TEAK JACK OUTDOOR DINING TABLE ASSEMBLY INSTRUCTIONS FOR DINING TABLE INSTALLATION

3. INSTALLING BOLTS TO THE APRON



4. FINISH

