

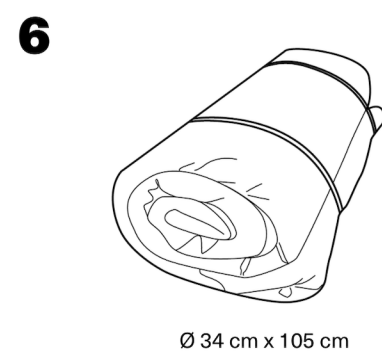
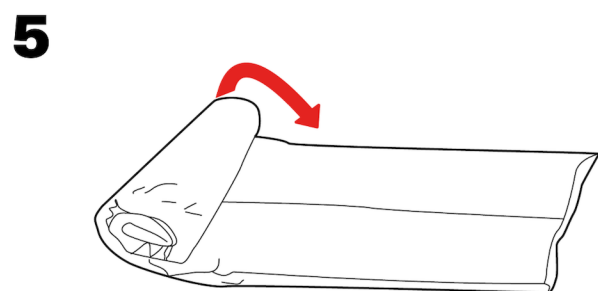
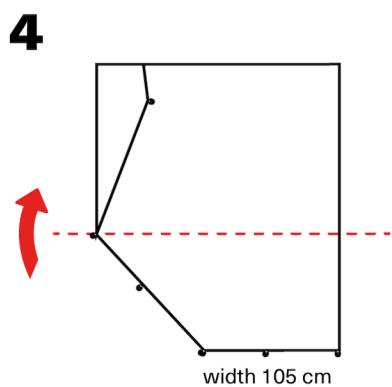
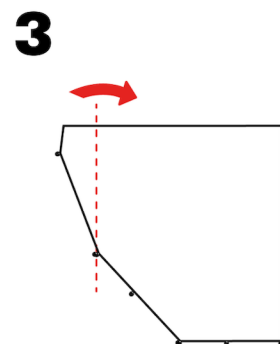
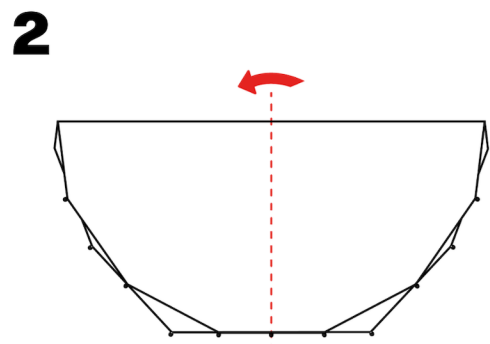
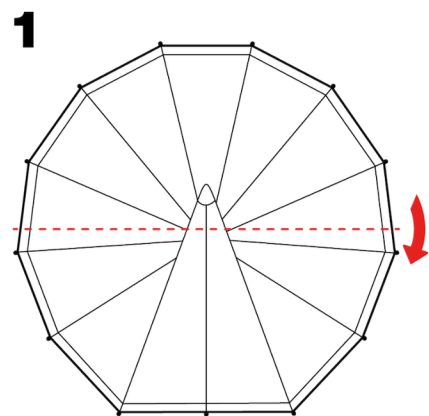


AUTENTIC

FOLDING INSTRUCTIONS

Make sure your tent is completely dry and clean before folding to prevent mould.

When breaking down the tent, always remove all guylines and store them in a separate bag to avoid colour stains on the tent fabric.



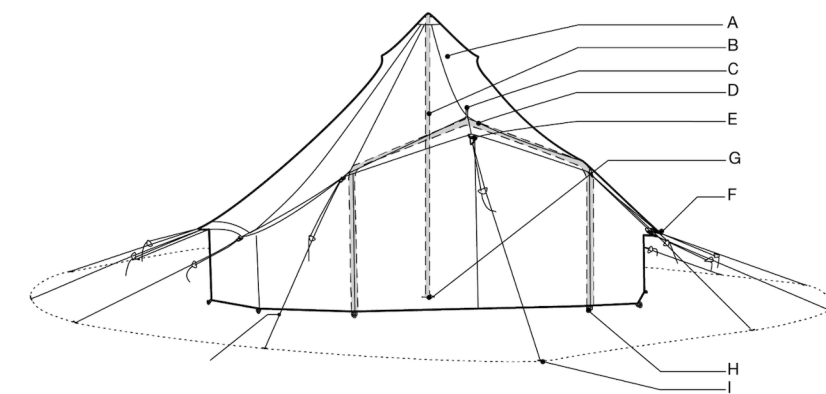
AUTENTIC

SETUP INSTRUCTIONS

JACK BELL 5.2/JAY BELL 4.4

PACKING LIST

- 1 x TENT (A)
- 1 x CENTER POLE (B)
- 1 x POLE CAP (C)
- 1 x A-FRAME (D)
- 3 x COLOURED CARABINER + LONG GUYLINE (E)
- 10 x CARABINER + LONG GUYLINE (F)
- 1 x POLE SUPPORT (G)
- 12 x PEGS (H)
- 13 x T-PEGS (I)
- 1 x HAMMER (J)



PLEASE READ THIS CAREFULLY BEFORE YOU START THE SETUP OF YOUR TENT



We advise not to use the tent in extreme weather conditions.



If your tent is made of a cotton based canvas, make sure to wet the entire tent before first use and let it dry completely to ensure its waterproofness.



Make sure to always close the doors and windows of your tent during heavy winds.



When breaking down the tent, always remove all guylines and store them in a separate bag to avoid colour stains on the tent fabric.



When you have dirty stains on your tent, clean the tent with water and a soft brush and only use cleaning products suited for the tent. Don't use high-pressure cleaner, soap, or aggressive detergents as they can damage the tent's materials and shorten its lifespan.

*Autentic is in no case liable for any damage arising or caused by the product being used or set up contrary to the instructions or used for any purpose other than its intended use.

Make sure to read the additional tips for maintenance and usage on autentic.world



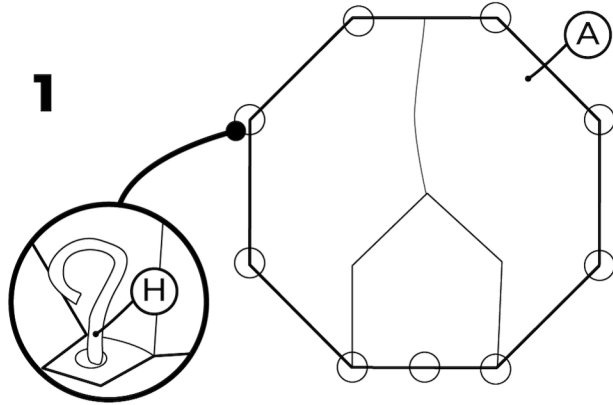
Make sure to read the additional maintenance and use instructions on autentic.world.



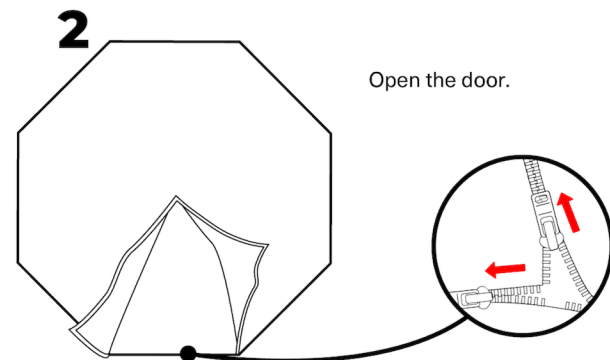


AUTENTIC

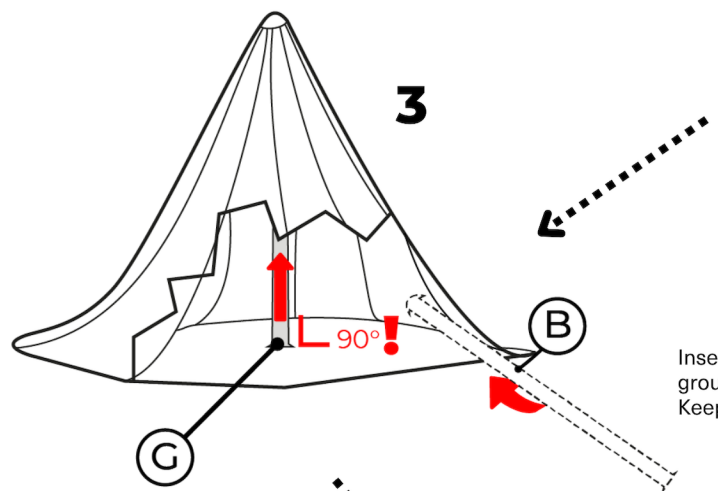
SETUP INSTRUCTIONS



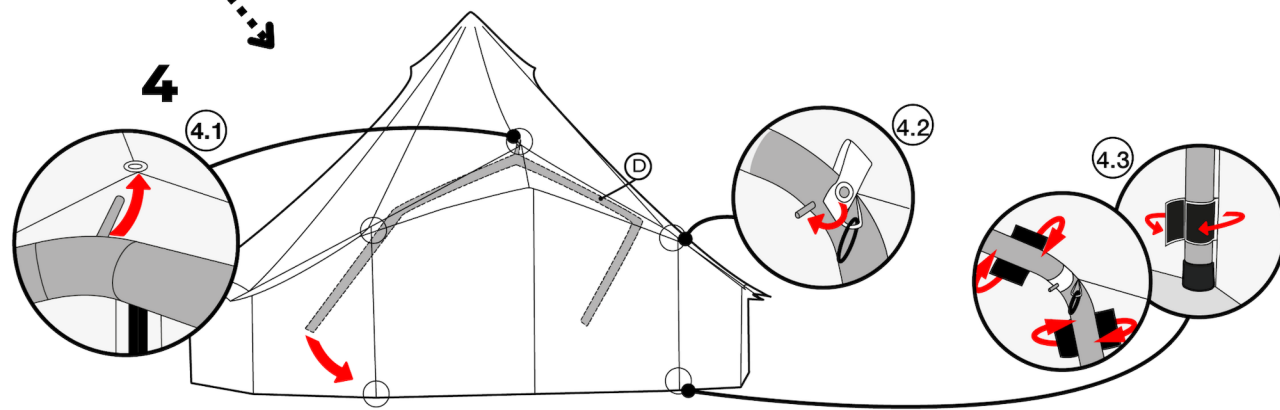
1 Make sure all zips are closed. Place all tent pegs (H), starting with the two door pegs and continue with the opposite side. Ensure perfect tensioning of the groundsheet.



2 Open the door.



3 Insert the center pole (B) and place the pole support (G) to protect the groundsheet. Keep the pole as vertical as possible for optimal wind performance.



4 Start with assembling the A-frame (D) inside the tent.

4.1: Insert the top pin.

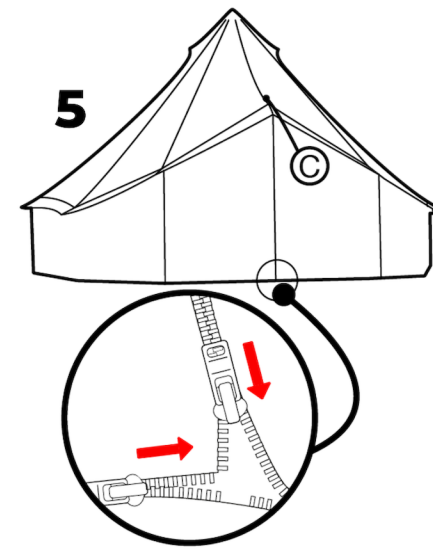
4.2: Insert the pins on both sides of the frame.

4.3: Attach the velcro straps around the frame.

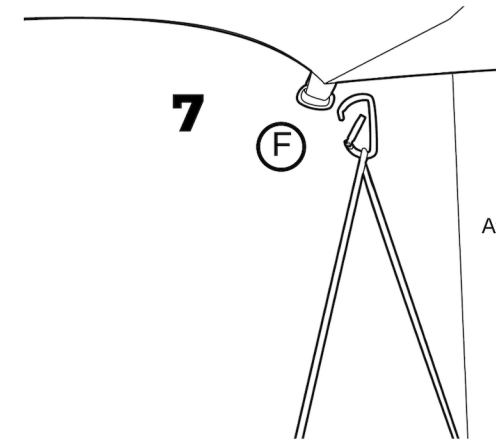
Make sure the poles stand vertically.



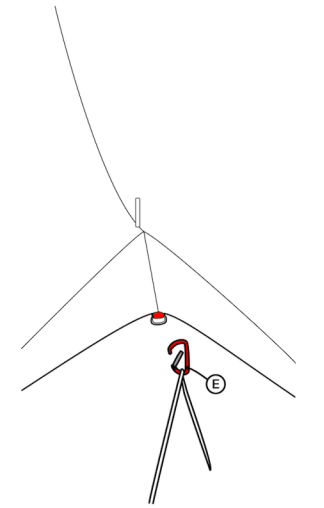
AUTENTIC



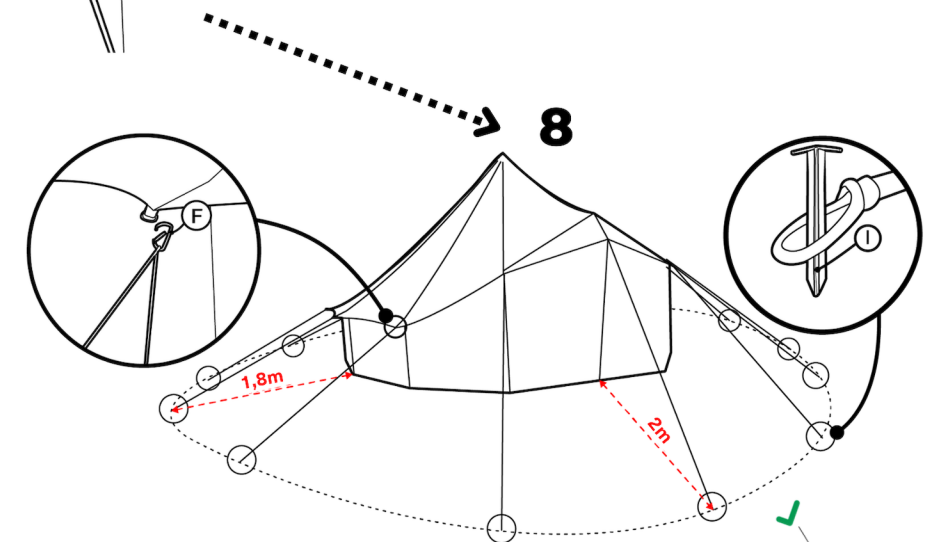
5 Close the door. Place the pole cap (C).



7 Attach all remaining guylines (F).



6 Attach the guylines with orange carabiners (E) at the three guypoints in the front.

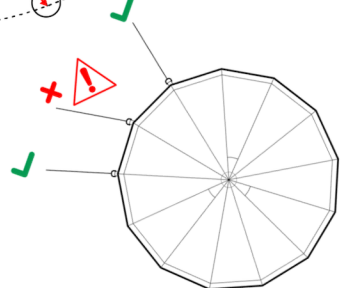


8 Peg down all guylines using the T-pegs (I).

Align the guylines to the seams of the roof with distances as illustrated.

To reduce the required setup surface, you can use optional short guy poles.

Tension firmly once all guylines are attached.



Take additional safety measures in case of heavy winds and blasts:

If your tent is set up with short guy poles on a wooden platform, attach the poles to the platform.

If you can't attach the short guy poles or if the tent is set up on a grass surface, remove the short guy poles and place the pegs (I) at distances as indicated. Ensure perfect tensioning of the guylines.