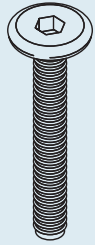


# Box 1 Hardware Pack



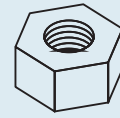
QTY 12

Pt. 1606



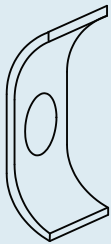
QTY 6

Pt. 8056



QTY 6

Pt. 2001



QTY 6

Pt. 8057



QTY 36

Pt. 5013



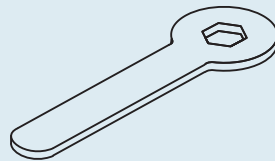
QTY 10

Pt. 5000



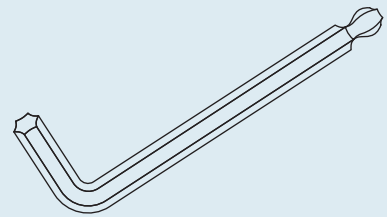
QTY 10

Pt. 4999



QTY 1

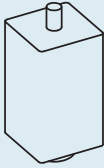
Pt. 9034



QTY 1

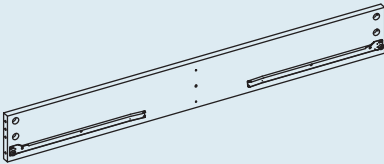
Pt. 9016

# Box 1 Parts



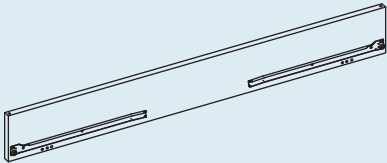
QTY 6

Leg



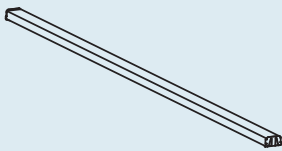
QTY 1

Rear Brace



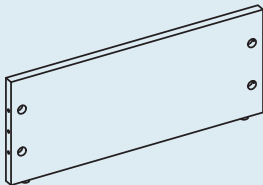
QTY 1

Front Brace



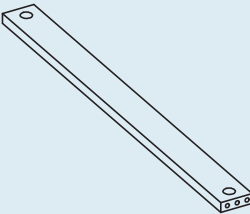
QTY 1

Center Support



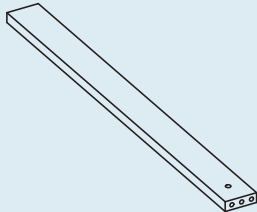
QTY 1

Center Leg



QTY 1

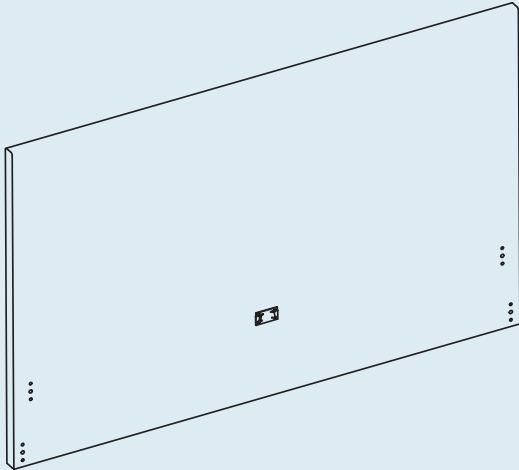
Center Brace



QTY 2

Front Leg Brace

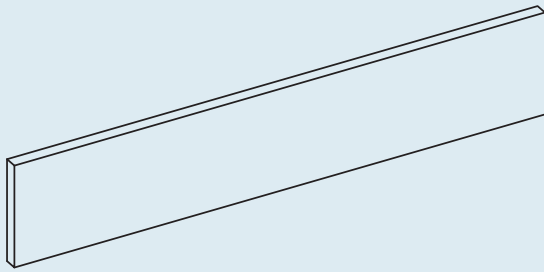
# Box 2 Parts



QTY 1

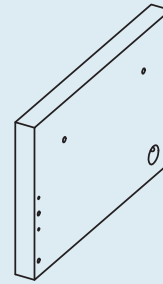
Headboard

## Box 3 Parts



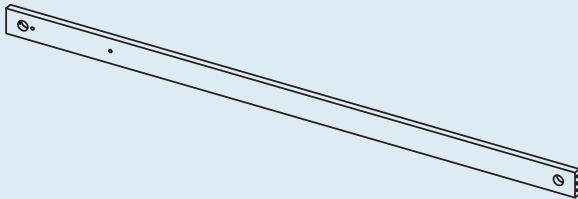
QTY 1

Footboard



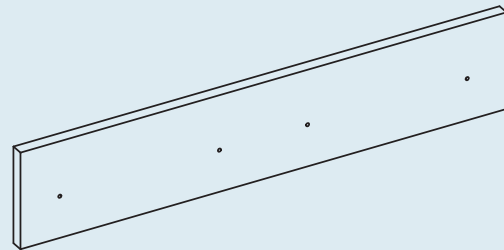
QTY 2

Side Panel



QTY 2

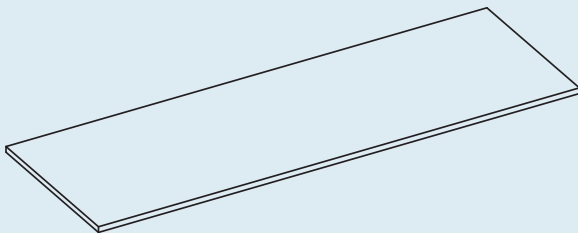
Side Rail



QTY 2

Drawer Front

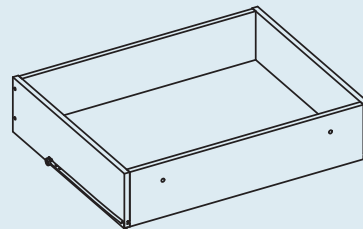
## Box 4 Parts



QTY 4

Mattress Support

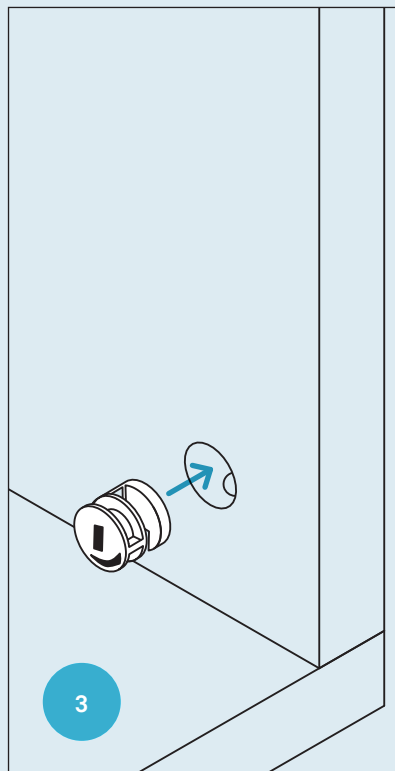
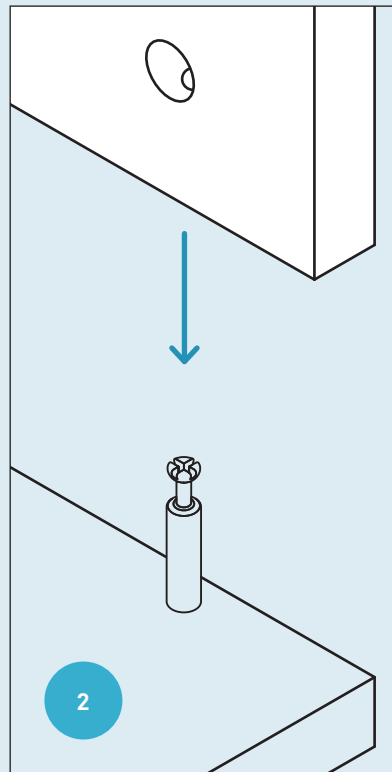
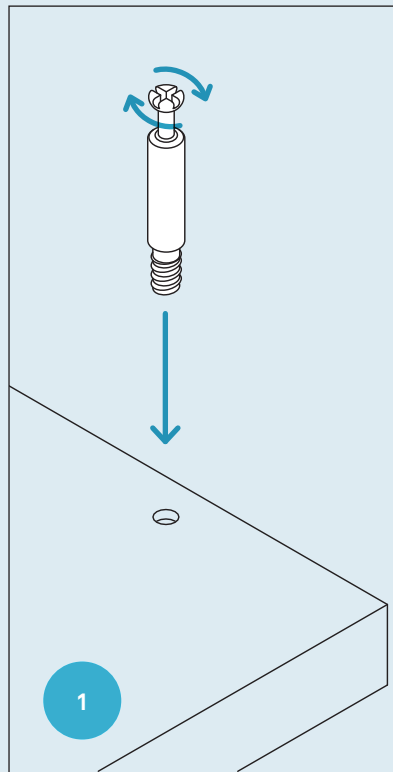
## Box 5 Parts



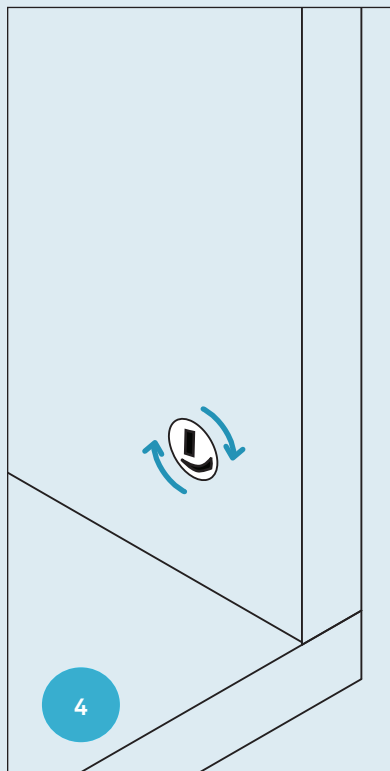
QTY 4

Drawer Body

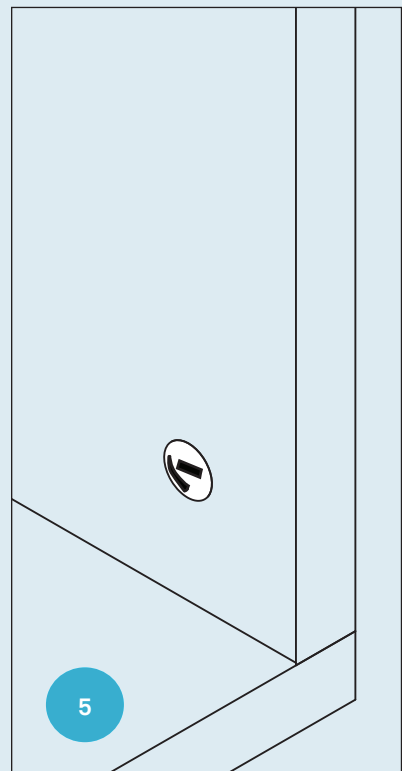
# How to use the cam lock system



Note direction of cam.



Turn cam clockwise 1/2 turn or until tight.



Note direction of cam.

# Step 01

## ATTACH BRACES TO CENTER LEG.

Using the provided hardware, attach the front brace and the rear brace to the center foot as shown.

**Please note: We recomend a team of two to assemble this bed.**



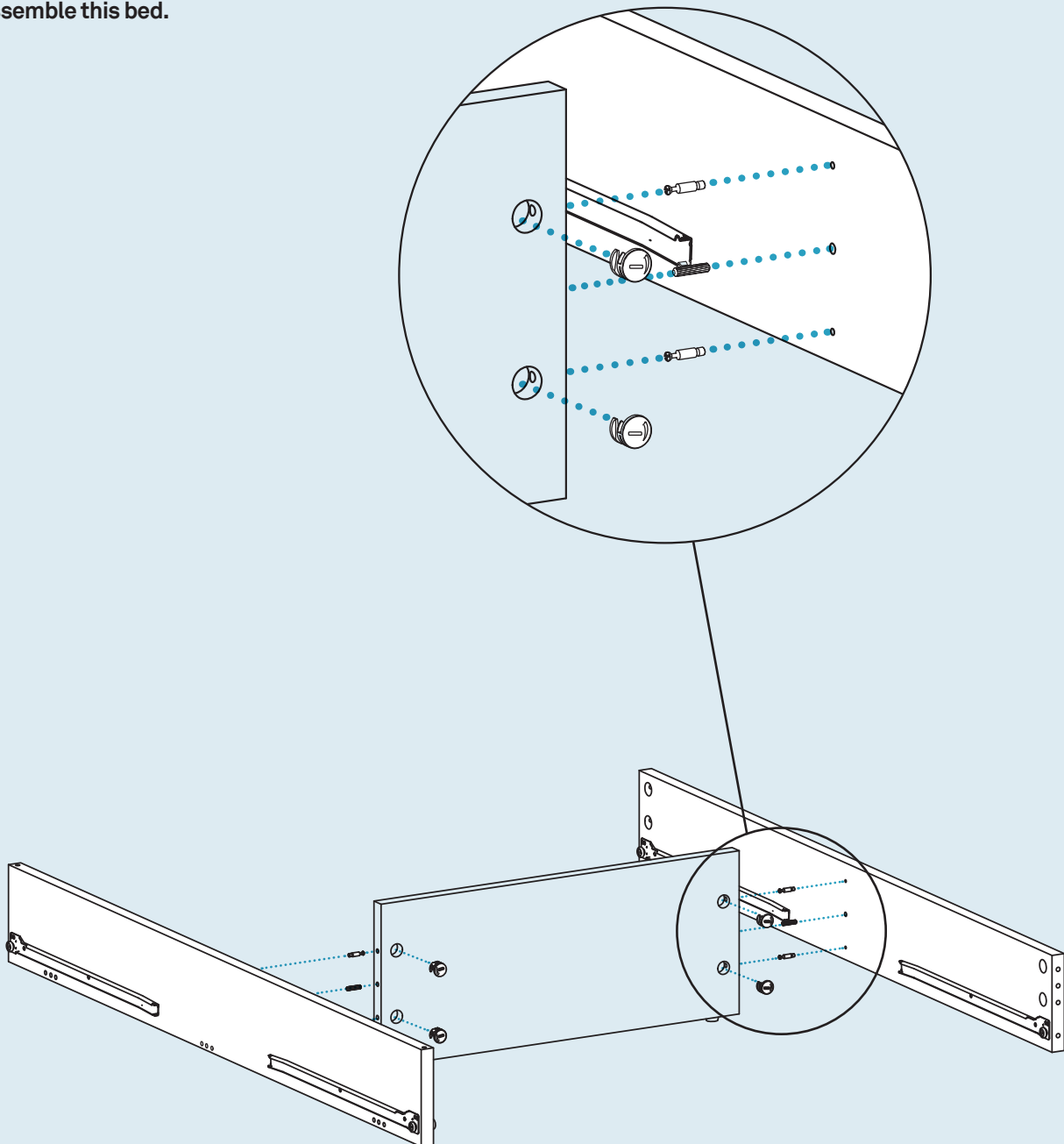
PT. 5013 x 2



PT. 4999 x 4



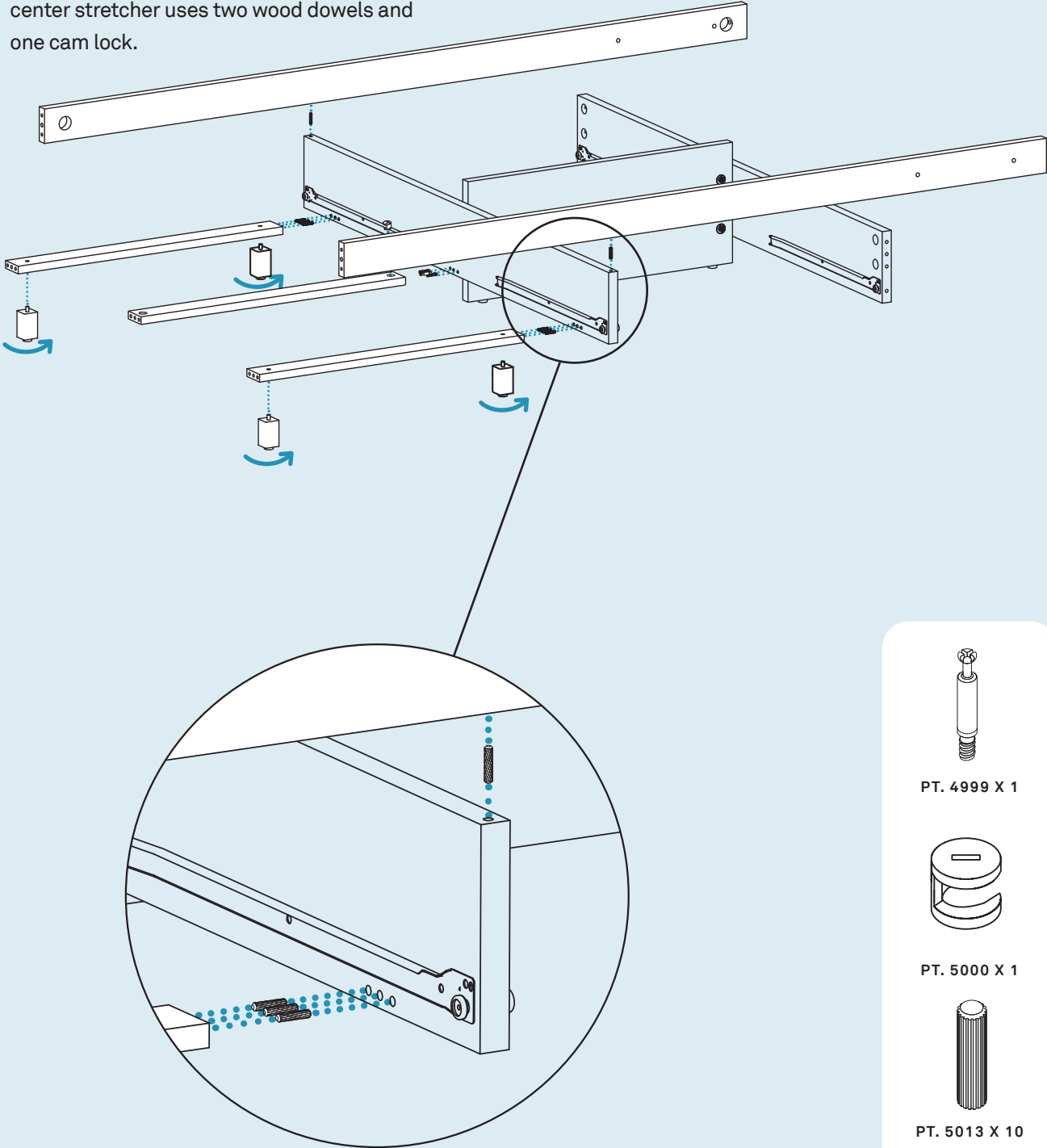
PT. 5000 x 4



# Step 02

## ATTACH THE SIDE RAILS AND STRETCHERS.

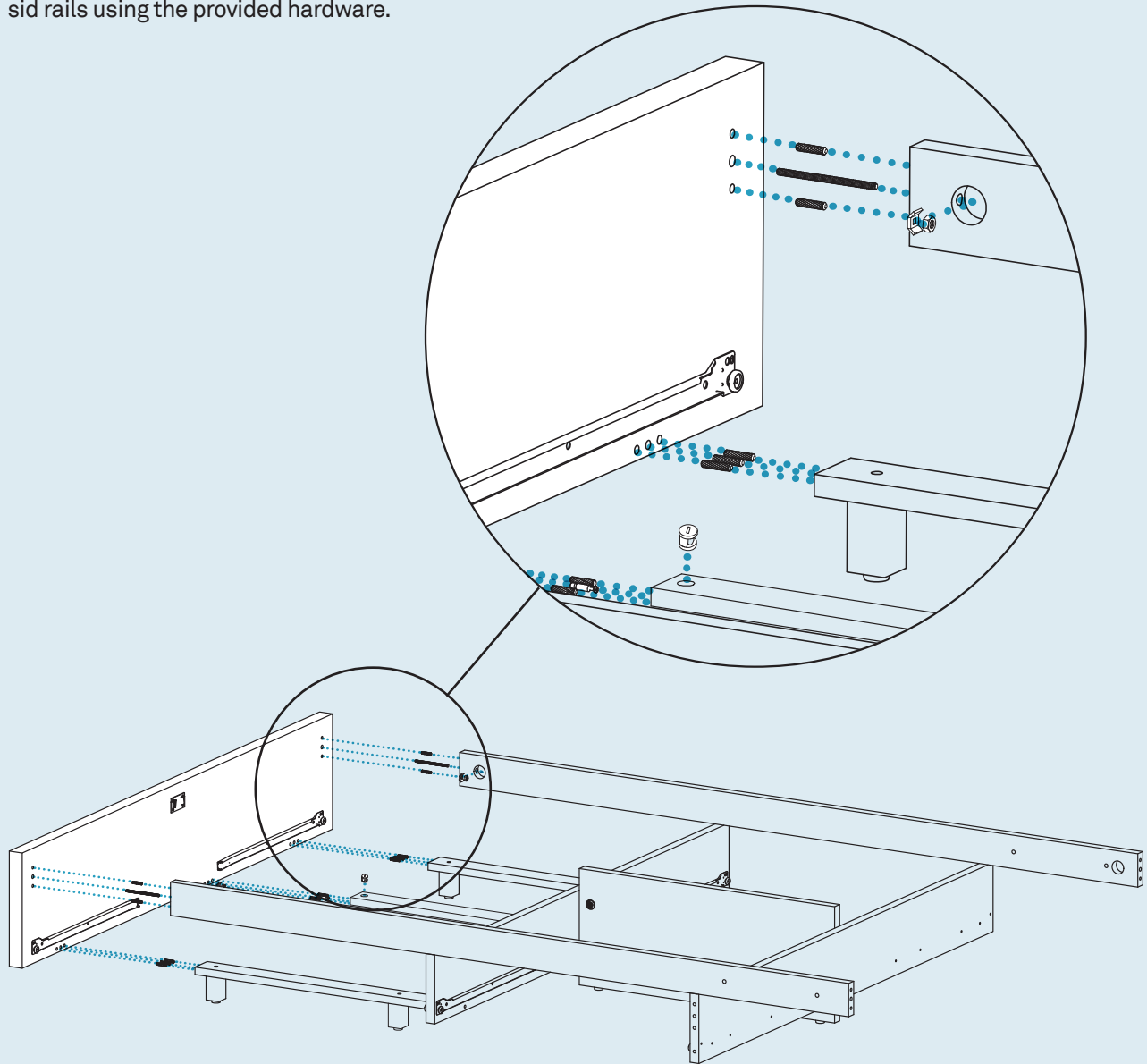
Screw the legs to the stretchers.  
Then, attach the stretchers and side rails to the base using the provided wood dowels. The center stretcher uses two wood dowels and one cam lock.



# Step 03

ATTACH THE FOOT BOARD.

Attach the footboard to the stretchers and sid rails using the provided hardware.



PT. 4999 x 1



PT. 5000 x 1



PT. 5013 x 12



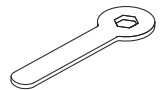
PT. 8056 x 2



PT. 8057 x 2



PT. 2001 x 2



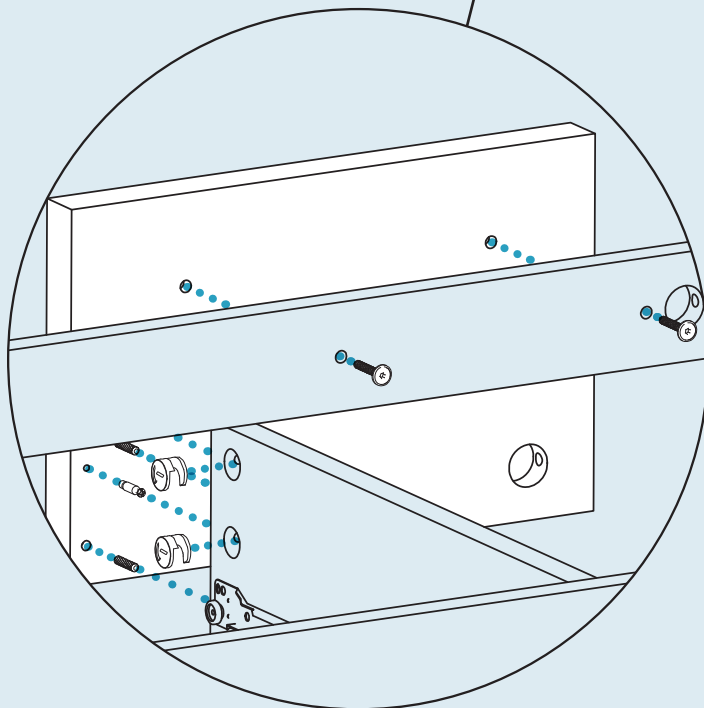
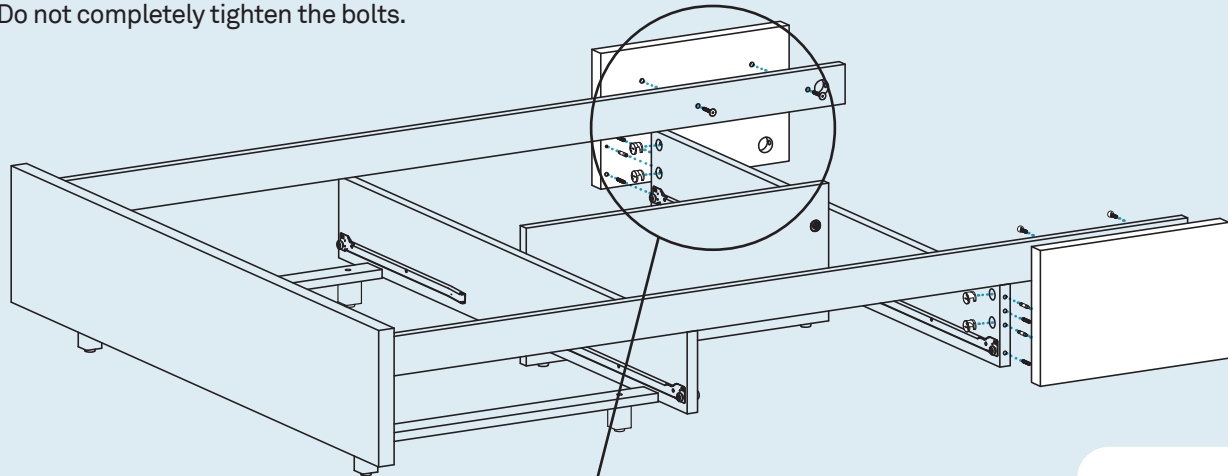
PT. 9034 x 1

# Step 04

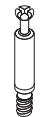
## INSTALL THE SIDE PANELS.

Attach the side panels using the provided hardware.

Do not completely tighten the bolts.



PT. 5013 X 4



PT. 4999 X 4



PT. 4999 X 4



PT. 1606 X 4



PT. 9016 X 1

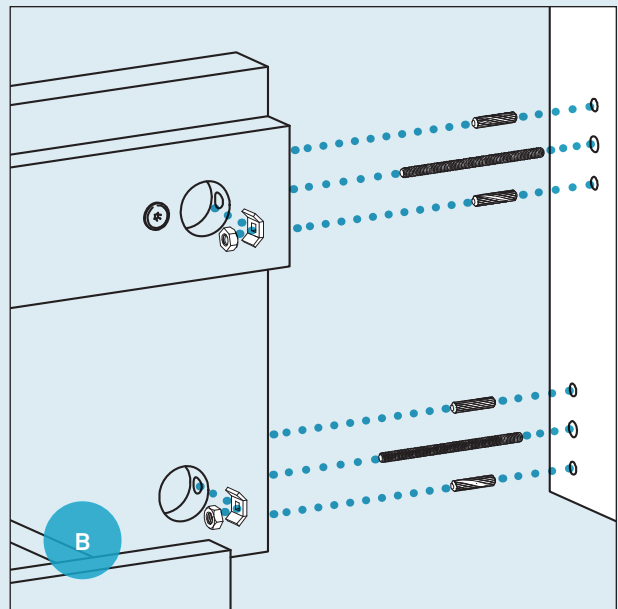
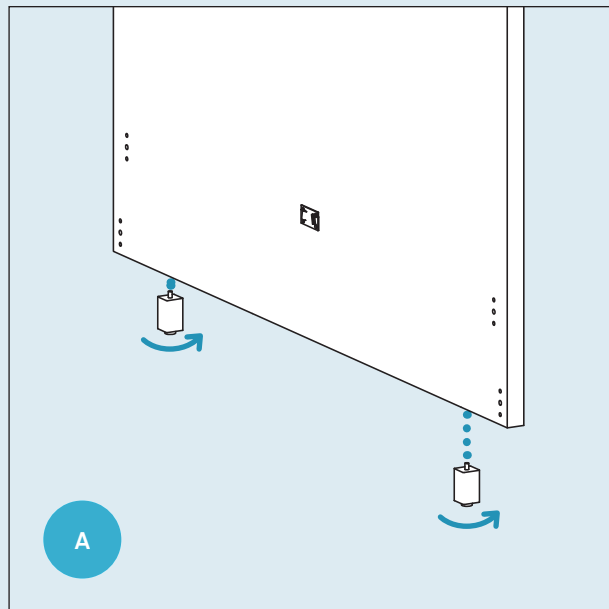
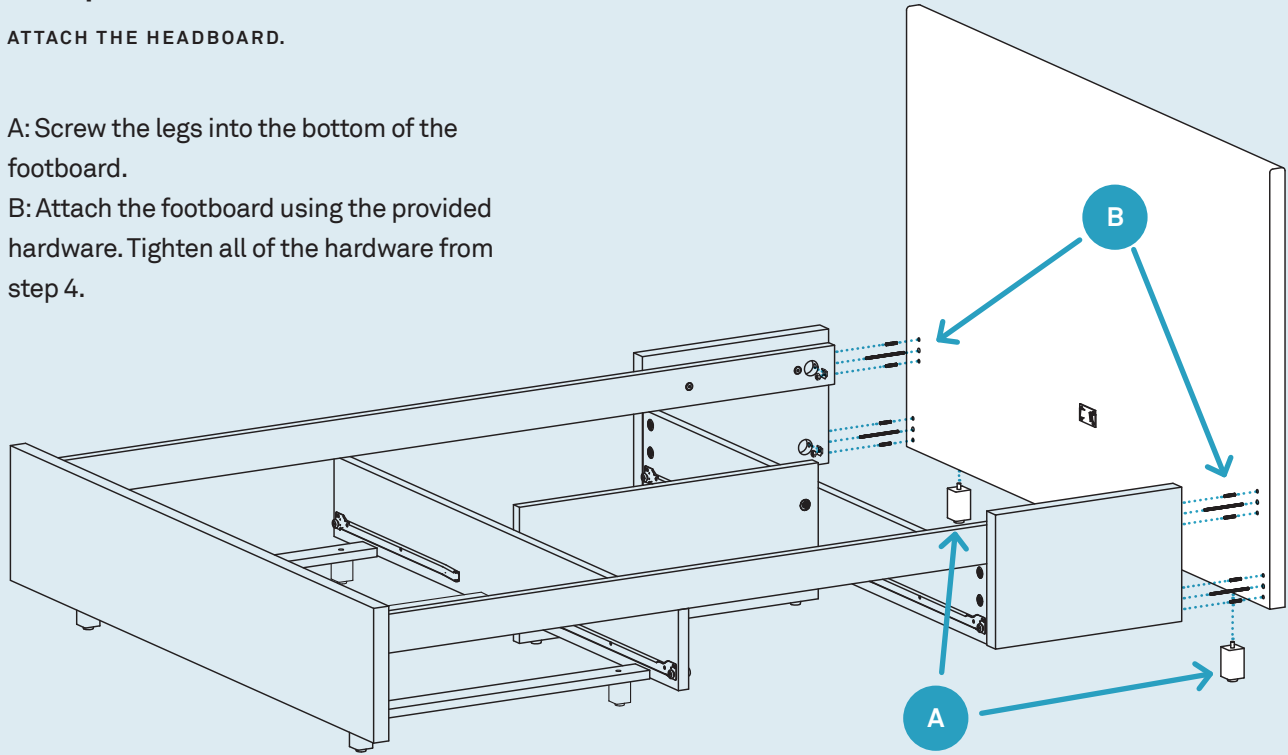


# Step 05

## ATTACH THE HEADBOARD.

A: Screw the legs into the bottom of the footboard.

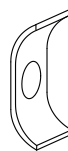
B: Attach the footboard using the provided hardware. Tighten all of the hardware from step 4.



PT. 5013 x 8



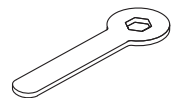
PT. 8056 x 4



PT. 8057 x 4



PT. 2001 x 4



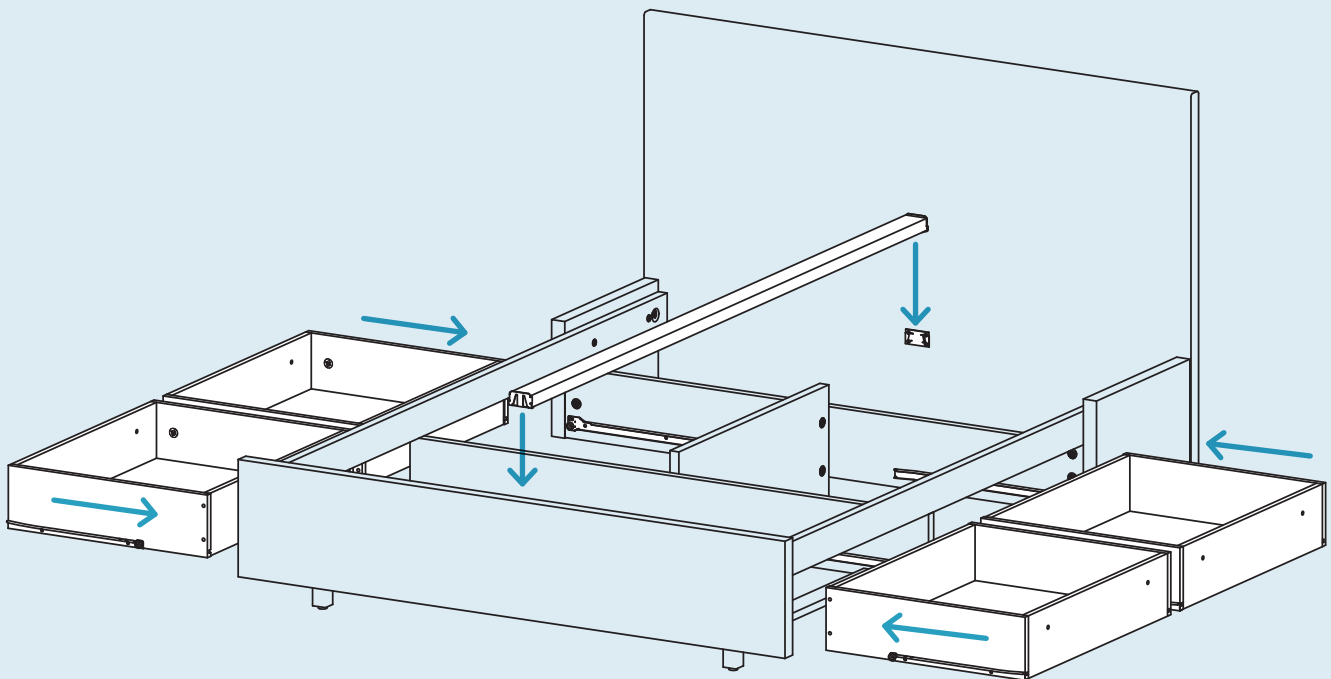
PT. 9016 x 1

## Step 06

### ATTACH CENTER SUPPORT AND DRAWERS.

Slide the center support into place as shown. Attach the drawers by setting the drawer slide on the drawer into the slides attached to the bed

**Note:** There is an extra hole on the center support that is not used in assembly.

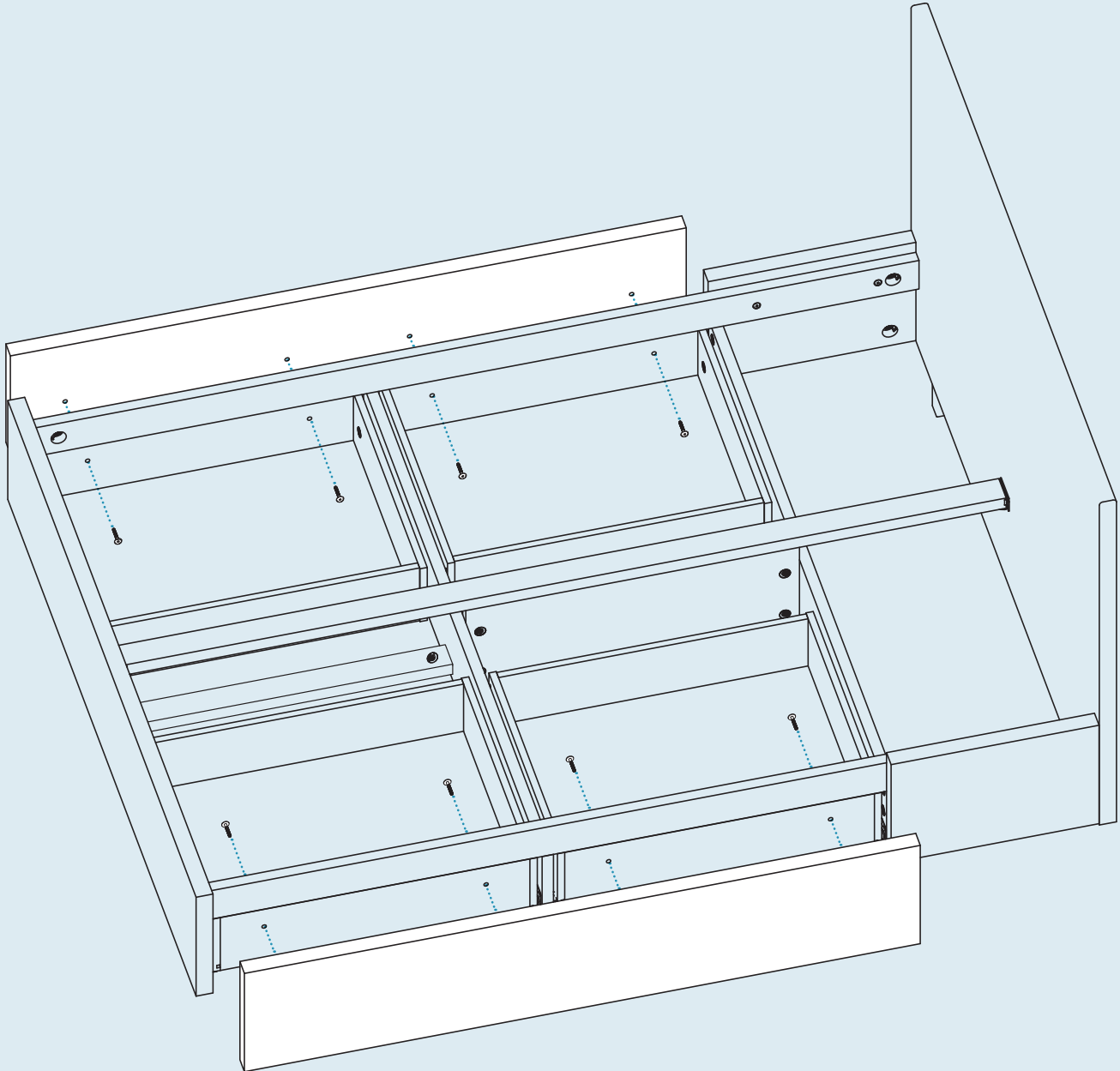
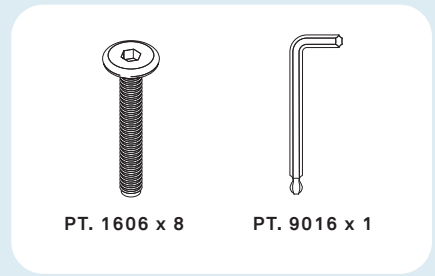


## Step 07

### INSTALL DRAWER FRONTS.

Loosely install the drawer fronts using the provided hardware.

After all bolts are installed, tighten the bolts.

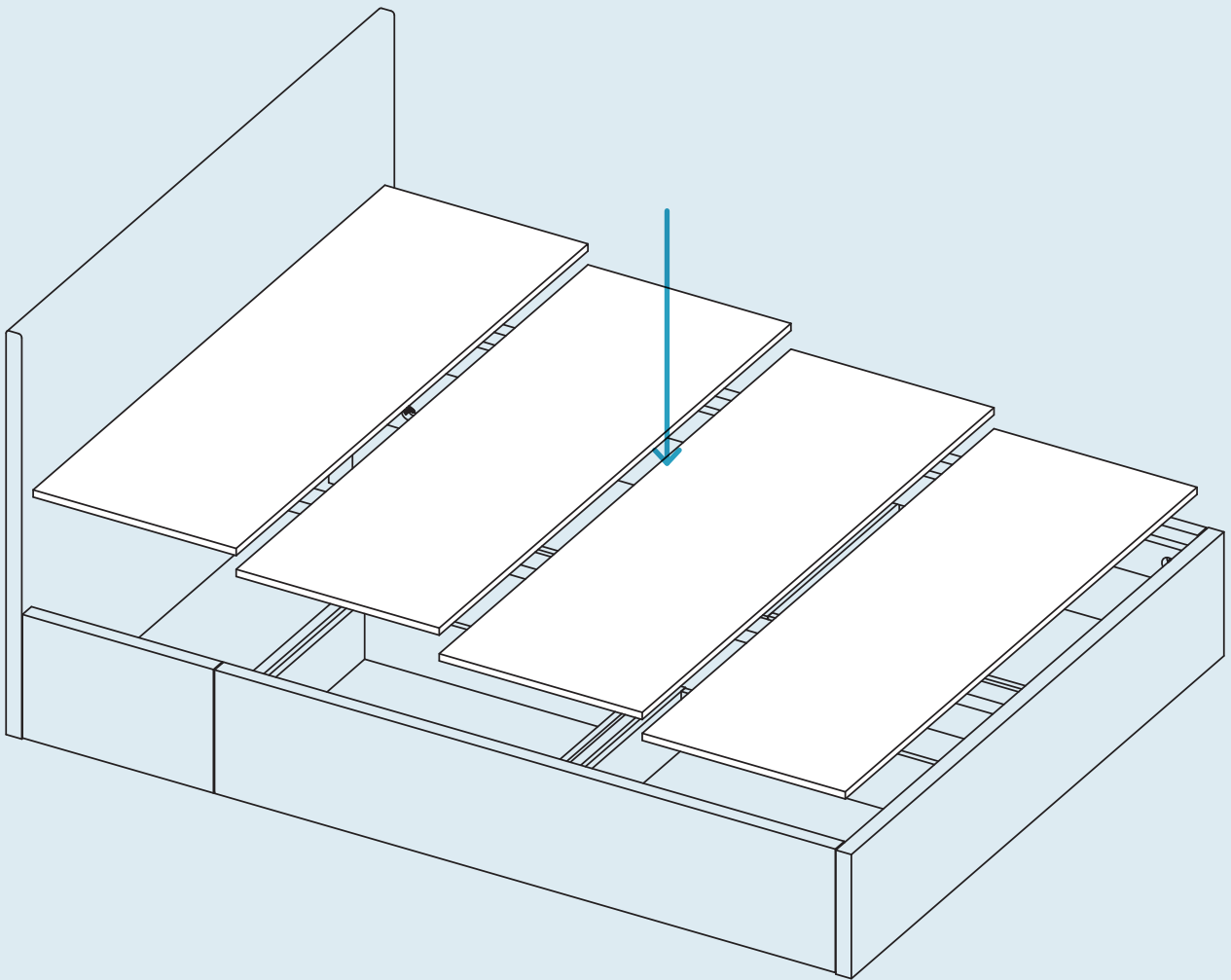


## Step 08

### ATTACH THE PLATFORM.

Place the platform panels on top of the side rails.

Hook and loop fasteners will keep panels in place.



## Step 09

### LEVEL THE BED.

If necessary, level the bed by twisting the adjustable glides.

If the side panels and drawer fronts are not aligned, remove the platform panels and loosen the bolts. Hold the side panels in the appropriate position and re-tighten the bolts. The same procedure can be done for the drawer fronts

