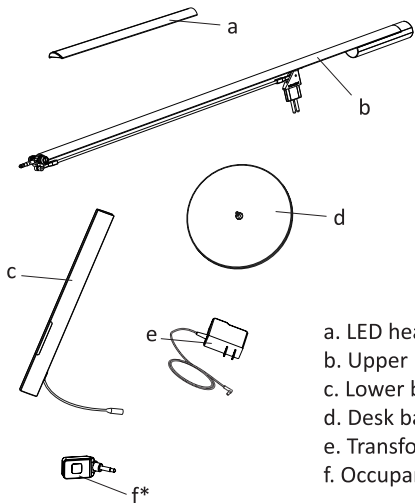


Assembly Instructions (US/Canada)

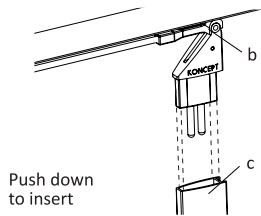
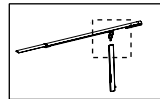
1



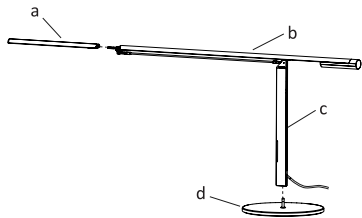
- a. LED head
- b. Upper body
- c. Lower body
- d. Desk base
- e. Transformer
- f. Occupancy sensor*

*Sold separately

2

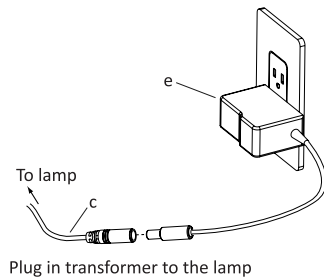


3



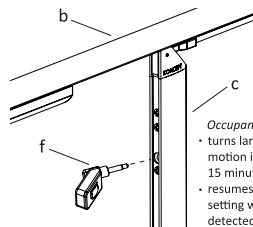
4

Plug in transformer to the wall



5

(Occupancy Sensor sold separately)



Insert occupancy sensor* into the lamp

6

