

Care Instructions

Dulwich Bar Table

Dulwich Bar Table – designed by Matthew Hilton

To prolong the life of the product and retain its appearance and functionality, we would like to give you some relevant information and care advice:-

This unit is manufactured with either oak, black stained oak or walnut.

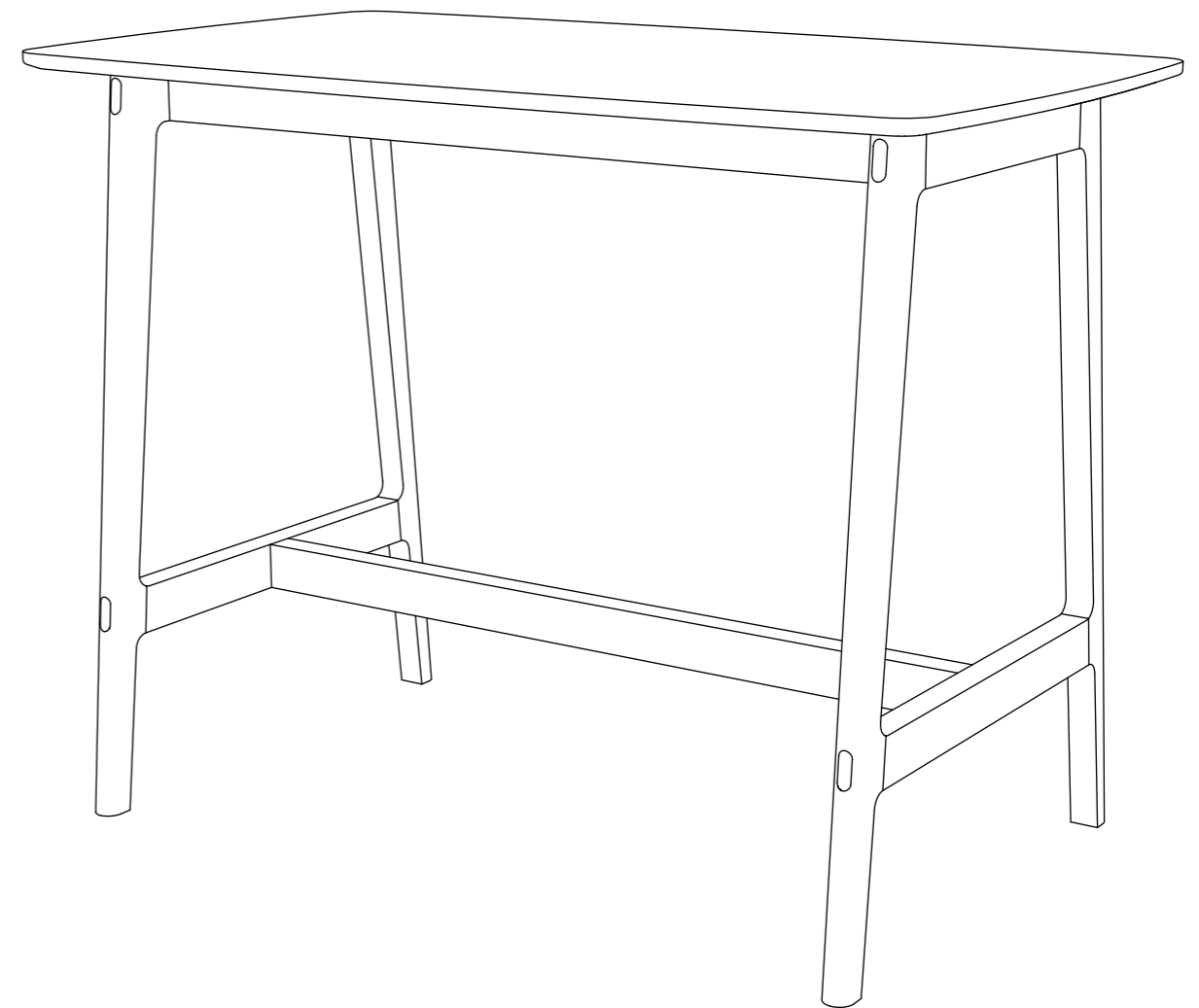
Craftsmen manufacture this product and there is variety between each unit. This is because wood is a natural product, with natural colour and grain variations.

Natural timber is affected by sunlight; this can can the wood colour to darken. For this reason (especially if placed in direct sunlight) it is recommended that placing objects in the same position for long periods of time is avoided. This potential colour adjustment becomes less relevant as the product ages.

It is recommended that no abrasive cleaners or solvents are used to clean the unit. Please only use proprietary furniture polishes or alternatively, warm water with a diluted mild detergent.

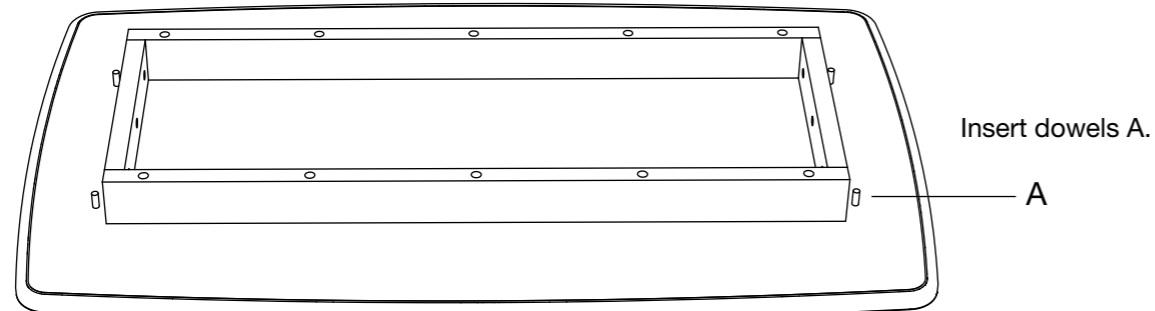
We thank you for purchasing this product and wish you many years of enjoyable and functional use.

For more related products please visit: casefurniture.com

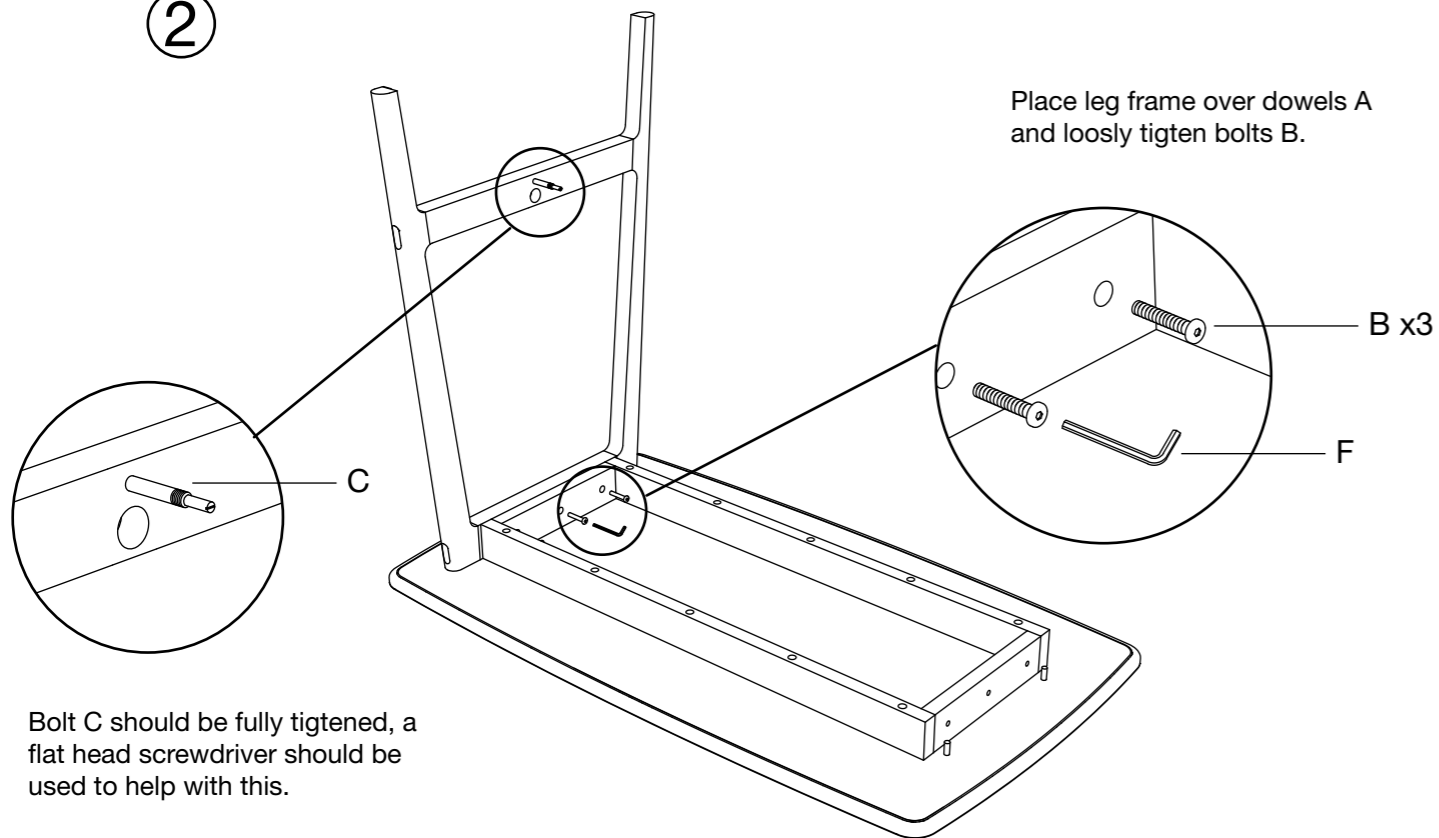


Assembly Instructions

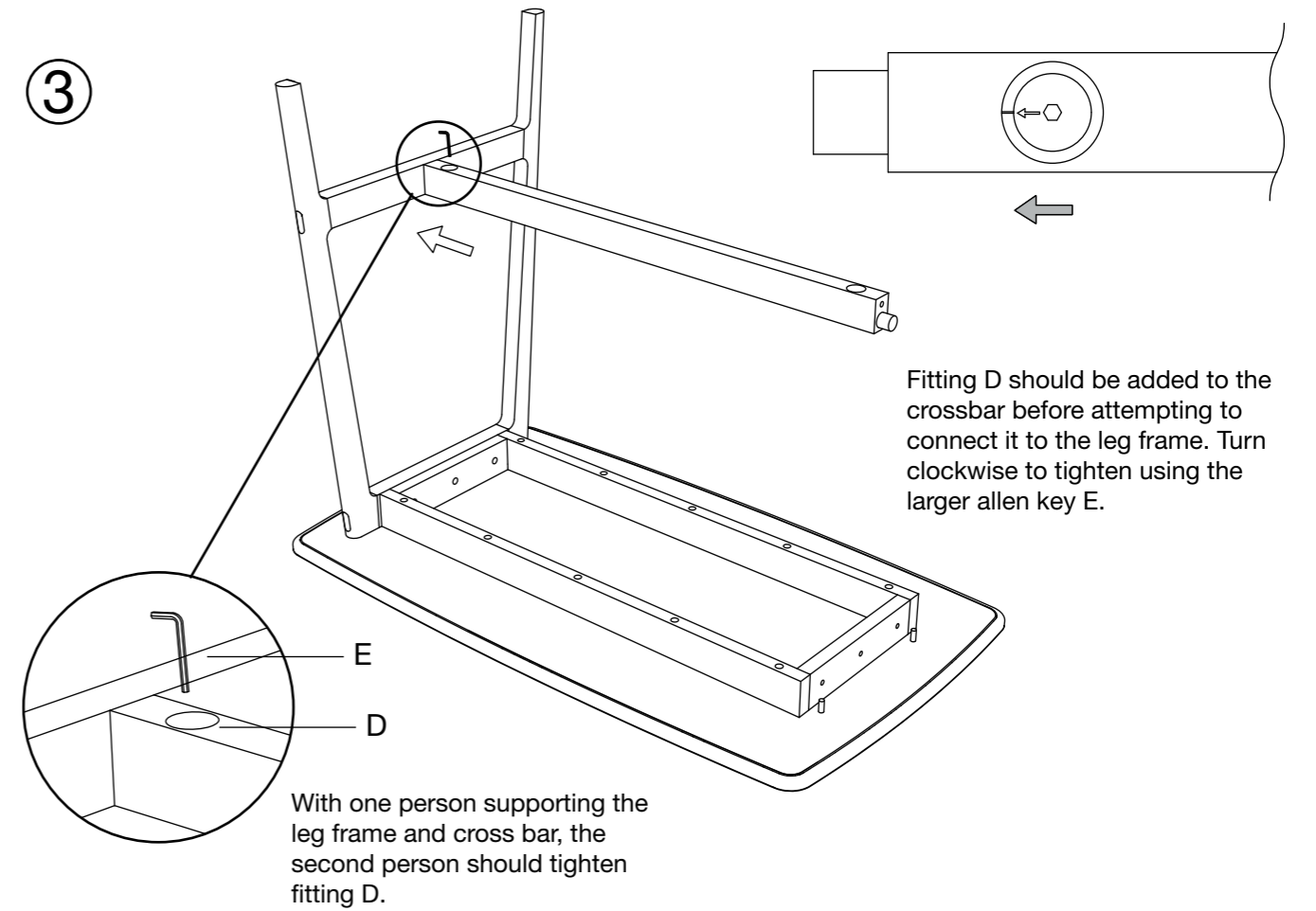
1



2



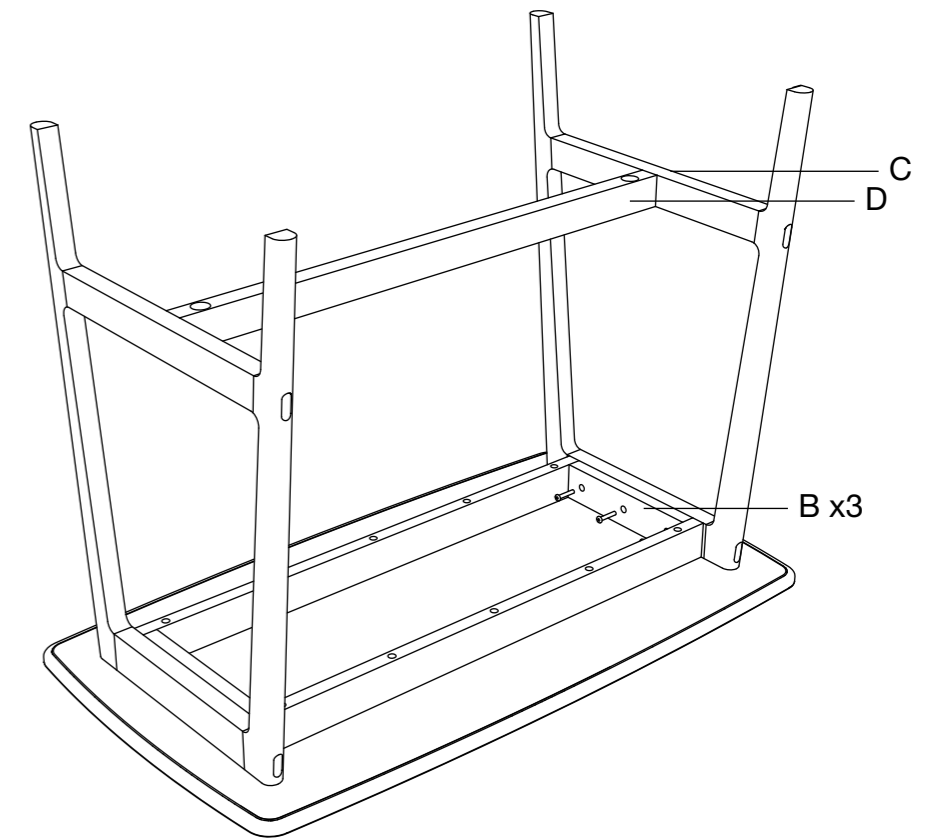
3



4

With one person still supporting the leg frame and crossbar, the second person should repeat steps 2 - 3 on the remaining leg frame.

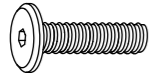
Once the second leg frame is in position, bolts B can be fully tightened. Two people should now turn the table onto its feet.



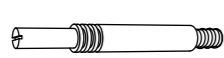
Provided



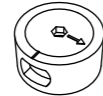
A x4



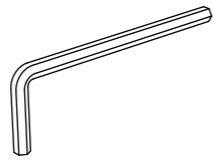
B x6



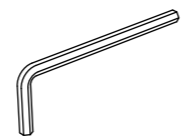
C x2



D x2



E x1



F x1

Required

