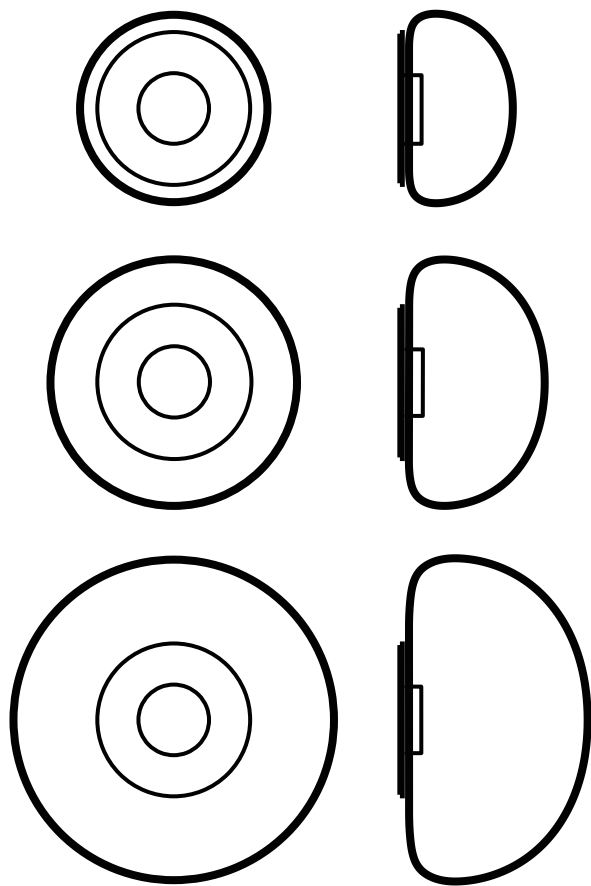


dew drops

N.
America

Design by Boris Klimek



loomma

Installation Manual
for Wall & Ceiling Light Fixtures
Don't throw away!

Introduction

- Please read this user's manual carefully prior to installation and follow its instructions and recommendations.
- The installation of the wall and ceiling light requires more than one person.
- For safety reasons, as well as for warranty purposes, it is forbidden to use this product in breach of this manual and other purposes stipulated in this manual.
- Prior to assembly, use an appropriate circuit breaker to turn off electricity.
- All interventions regarding the wiring of the light fixture may only be carried out by a qualified electrician.
- Prevent children or persons with lowered sensory or psychological abilities from handling the light fixture, as it contains small and fragile pieces that could be dangerous when inappropriately handled or ingested.
- The producer bears no liability for damage caused by improper installation.
- The dimensions and weight of glass parts may differ slightly due to manual production.
- All Bomma products are made from hand-blown lead-free crystal. Any small bubbles, non-melts and inhomogeneities in the glass are not a reason for complaint. This is a characteristic feature of this traditional craft.
- Thanks to the manual process of blowing underlay glass, each piece is an original. Individual products may vary slightly in intensity, hue or even color. This is an accompanying characteristic of the underlay glass technology.
- The surface of the mounting may also include minor imperfections due to manual production.
- The wall and ceiling light is intended for interior lighting.

Components included in the package

- Glass part of the light fixture
- Mounting including dimmable light source
- Installation manual
- Maintenance instructions
- Gloves

Technical parameters, specifications

- Voltage rate: 110-120 V / A.C. 60 Hz
- Protection: IP 20
- Input rate: 6 W (+-5%)
- Weight of size S: 1,3 lb
- Dimensions of size S: dia. 5,1 inch, H 3 inch
- Weight of size M: $\pm 1,5$ lb
- Dimensions of size M: dia. 6,7 inch, H 3,9 inch
- Weight of size L: $\pm 2,2$ lb
- Dimensions of size L: dia. 8,7 inch, H 5 inch
- Light source: LED MCOB, 6 W (+-5%), 200 mA, 600 lm, 2700K, RA 90+
Voltage: V_{typ} 30-42V DC, I_{max} 250 mA
- Class: I.

Dimming: TRIAC or DALI

1

Upon opening, first determine that there was no damage occurred during transport and that the light fixture is complete. Otherwise, please contact your seller immediately, as later claims may not be considered.

Assemble the lighting fixture according to the manual, recognizing that its installation wiring may only be carried out by a qualified electrician following general legal regulations.

Plug the transformer in ① according to the picture and insert it into the electrical box ②, or the hole in the wall. The electrical box is not included in the package.

The recommended box type is Raco Octagon, 4 X 4 in. The distance between the connecting screws is 3,5 in (89mm). The minimum depth of the box is 1,6 in (41mm).

Input:

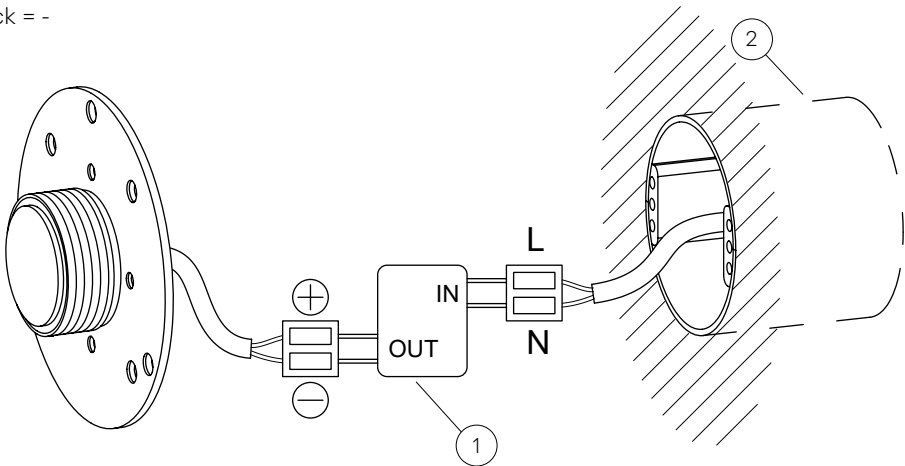
Brown = L

Blue = N

Output:

Red = +

Black = -



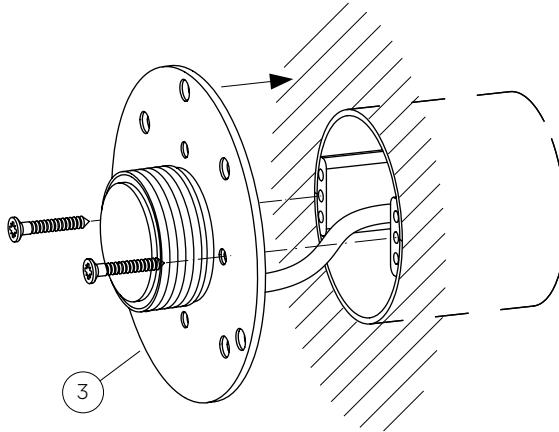
2

Attach the mounting plate with light source ③ using appropriate screws and wall-plugs, which are not included in the package. Select their size and type according to the material of your wall or ceiling and the weight of the fixture.

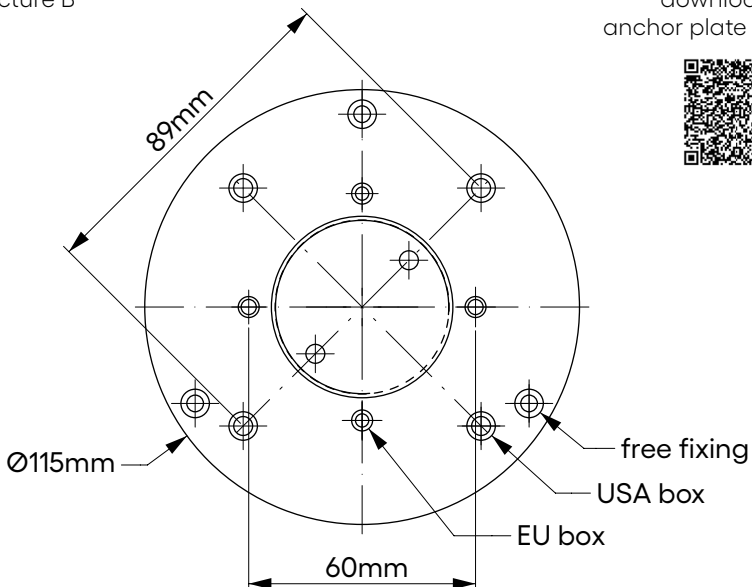
The anchor plate can be screwed directly to the electrical box (picture A) or to the wall into the pre-drilled holes fitted with the corresponding wall plugs.

To attach the anchor plate directly to the electrical box, see the 1:2 anchor plate drawing below (picture B).

picture A



picture B

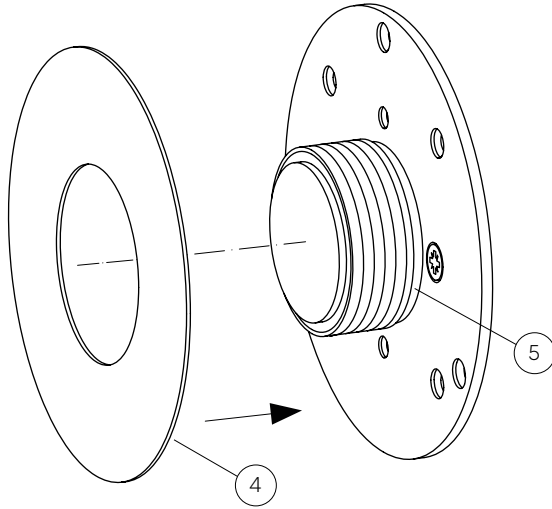


download link
anchor plate drawing 1:1



3

Thread the sheet cover (4) through the hole onto the light source (5).

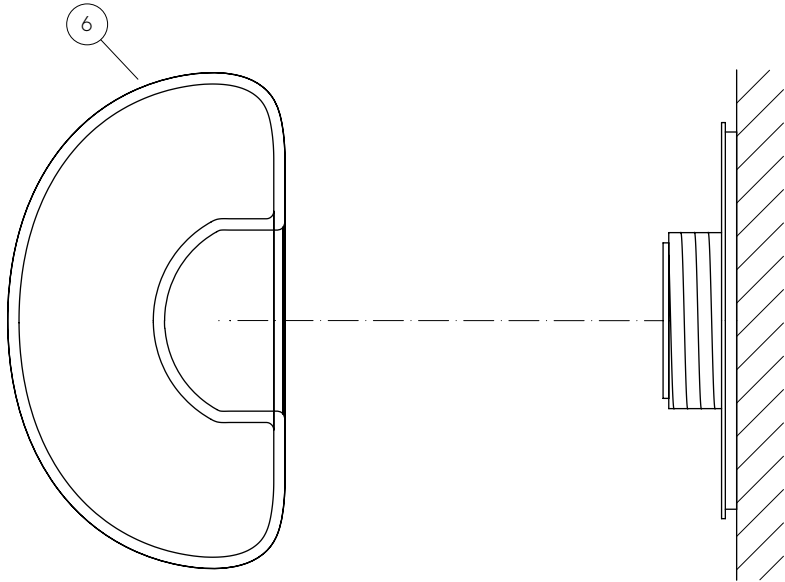


4

Screw the glass ⑥ onto the light source.

Congratulations! You may now reconnect the power and turn the light on.

When dismantling, first turn off the light and disconnect from the power supply. Then follow the above steps in reverse order. Use the original or similar packaging for possible later transport of the light fixture to prevent damage.



Maintenance

- When unpacking, assembling and cleaning the product, handle the individual parts with extra care, especially the glass parts which are very fragile.
- The assembly and wiring of the luminaire must be carried out by an authorized person.
- The wall luminaire is intended for indoor use.
- Do not cover the light source or touch the light source when the light is on.
- Do not make any repairs or changes to the components. Contact a specialist service center.
- Do not use any spare parts which have not been supplied or approved by the manufacturer (except for light sources).
- Do not expose the luminaire to an unsuitable environment where it might get damaged (water, heat, frost).
- **Warning:** the luminaire may in some parts have sharp edges which may cause injury. Take extra care when moving in close proximity to them.
- Any cleaning and maintenance should be carried out with the luminaire switched off and preferably disconnected (please mind this warning throughout the installation.)
- When changing a bulb, always disconnect the luminaire from the power supply.
- It is recommended to hang the luminaire at a sufficient height to avoid injury (such as head injury) to persons moving near the luminaire.
- It is recommended to install pendant luminaires in more than one person.
- After installing the luminaire, check that it is correctly and securely fixed to its base.
- Do not expose the luminaire to unreasonable loads, protect the luminaire from mechanical damage.
- The light source heats up during operation. Before starting any operation, wait until the light source cools down spontaneously _do not expose to rapid cooling_.
- Halogen light sources must not come into contact with oily materials, so do not touch them with bare hands. Install them using clean textile gloves or a clean cloth. To clean a halogen bulb, it is best to use alcohol-based products.
- When replacing the bulb, use the same or recommended light source (information about the type is on the label or in the installation instructions).
- Do not hang any other components on the luminaire in conflict with the manufacturer's installation instructions.
- Pay attention to checking all parts before their installation. Damaged components and glass parts _fragmentation, cracks_ can cause bodily injury to persons in their vicinity.
- Contact the manufacturer if a serious problem occurs during cleaning or maintenance of the luminaire.
- Any other manipulation with the luminaire should be carried out by qualified personnel or directly by the manufacturer.

Cleaning

- Any cleaning and maintenance should be carried out with the luminaire switched off and preferably disconnected.
- When cleaning, wear white gloves made of soft cotton cloth. In particular, do not touch the plated crystal without gloves. This will prevent the formation of impressions, loss of luster and color.
- Use a soft duster to clean the metal parts. Metal parts can be cleaned with dry or dampened duster in lukewarm demineralized water. When cleaning the parts, do not under any circumstances use solvents, technical gasoline, technical cleaners, peroxides or alkalis. Avoid alcoholic agents, which could cause the change of surface color.
- Clean the bulb with a soft damp cotton cloth, an anti-static soft-bristled brush or a vacuum cleaner on the low setting.
- Clean the stainless steel surfaces with special products, sold for this purpose.
- To clean the glass parts, use a mild cotton cloth, dry or moistened in lukewarm demineralized water, or a duster. Immediately after cleaning, dry the product completely so that no drops of water remain on the product, and carefully hang it back up.
- Take extra care when cleaning the individual parts of the luminaire that cannot be disconnected. Excessive handling might result in loosening or chipping.
- Do not use a dishwasher to wash any removable parts of the luminaire.

Important notice

- The manufacturer accepts no liability for damage resulting from improper installation, improper handling of the luminaire, including installation combined with accessories other than those recommended by the manufacturer.
- The manufacturer accepts no liability for damage resulting from unprofessional tampering with the fixings and safety features of the luminaire or for damage to the product caused by improper power supply voltage, storage or use of the luminaire in damp environment.
- Do not store the wall luminaire in a damp environment, near a boiler, trap or other sources of steam. Do not place the luminaire over a bathtub in bathrooms and do not touch the luminaire if you are in contact with water.
- The manufacturer reserves the right to make minor variations in the design of the luminaire without prior notice.

Disposal

Upon the expiration of the product's shelf life, proceed in accordance to legal regulations for environmental protection and public health safety.

Waste Materials Catalog

Number	Category	Name
10 11 11*	N	Waste glass in small particles and glass powder containing heavy metals
10 11 12	O	Waste glass other than those mentioned in 10 11 11
17 04 01	O	Copper, bronze, brass
17 04 05	O	Iron and steel
20 01 01	O	Paper and cardboard
15 01 05	O	Composite packaging

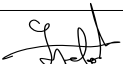
Contact

BMRC GROUP s.r.o.
Pod dráhou 1638/7, Holešovice,
170 00 Praha 7
Czech Republic
+420 569 453 149
info@bomma.cz
www.bomma.cz

Instagram bomma_cz

Facebook bommacz

bomma.cz

drawn by	approved by	revision	date	signature
Karel Jankovský	Ota Svoboda	1	06. 2022	

Control

Date of packaging

step beyond