

# dew drops

USA

Design by Boris Klimek



Installation Manual  
for Pendant Light Fixtures  
**Installation Manual don't throw away**

loomma



## Introduction

- Please, read this user's manual carefully prior to installation and follow its instructions and recommendations.
- The installation of the pendant light requires more than one person.
- For safety reasons, as well as for warranty purposes, it is forbidden to use this product in breach of this manual and other purposes stipulated in this manual.
- Prior to assembly, use an appropriate circuit breaker to turn off electricity.
- All interventions regarding the wiring of the light fixture may only be carried out by a qualified electrician.
- Prevent children or persons with lowered sensory or psychological abilities from handling the light fixture, as it contains small and fragile pieces that could be dangerous when inappropriately handled or ingested.
- The producer bears no liability for damage caused by improper installation.
- The dimensions and weight of glass parts may differ slightly due to manual production.
- All Bomma products are handmade. Any small bubbles, non-melts and inhomogenities in the glass are not a reason for complaint. This is a characteristic feature of this traditional craft.
- The intensity and color of the metallized glass may vary slightly from product to product. Small dots in the plating, visible especially after the fixture is switched on, are not a defect of the product.
- The surface of the mounting may also include minor imperfections due to manual production.
- The pendant light is intended for interior lighting.

## Components included in the package

- Glass parts of the light fixture
- Mounting incl. dimmable light sources
- Allen key
- Installation manual
- Maintenance instructions
- Gloves

## Technical parameters, specifications

- Voltage input:  $V_{typ}$  34 V DC,  $I_{max}$  700 mA
- Protection: IP 20
- Input power: 26,5 W (+-5%)
- Weight: ~ 8 kg
- Dimensions: dia. max. 2525 mm, H max. 1205 mm
- Light source: LED MCOB (7x) 23,5 W (+-5%)
- Class: III.

Recommended transformer: MAXI JOLLY SV DALI 50

Recommended dimming: DALI, Push dim, 1-10 V

# 1

Upon opening, first check that there was no damage occurred during transport and that the light fixture is complete. Otherwise, please contact your seller immediately, as later claims may not be considered.

Assemble the lighting fixture according to the manual, recognizing that its installation wiring may only be carried out by a qualified electrician following general legal regulations.

Mark on the ceiling the places for fixing the large ① and small ② anchor plate according to Figure A. The recommended distance from the center to the center is 180-240 cm. Thread the large anchor plate onto the supply cable from the ceiling. It is important that the anchor plates are oriented exactly as shown in Figure A. The pair of holes ③ for fixing the mounting shall be on the outside. After marking, fix the anchor plates to the ceiling as shown in Figure B using dowels and screws not included in the package. Choose the size and type according to the ceiling material and the weight of the fixture.

Figure A

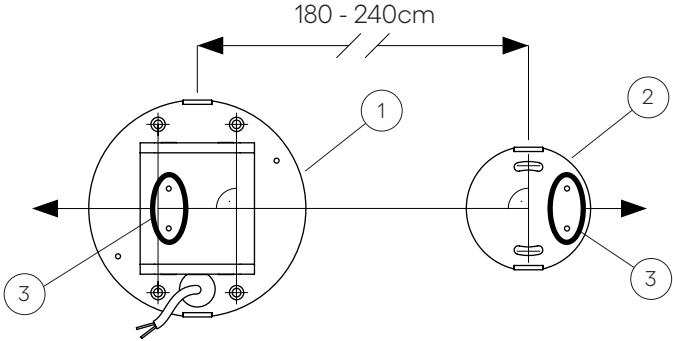
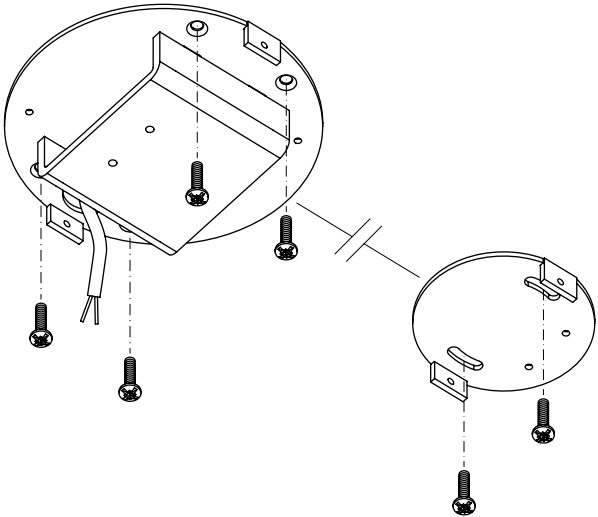
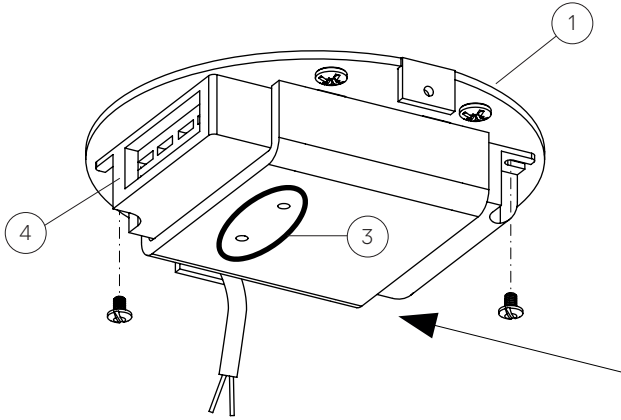


Figure B



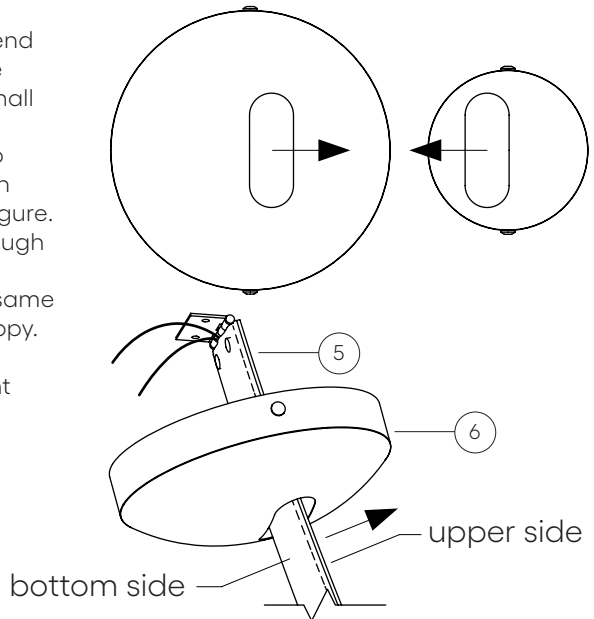
**2**

Insert the recommended transformer (4) into the sheet metal “U” on the large anchor plate (1) and fix it with two screws. For subsequent wiring, it is important that the transformer terminal block is on the same side as the pair of holes (3).

**3**

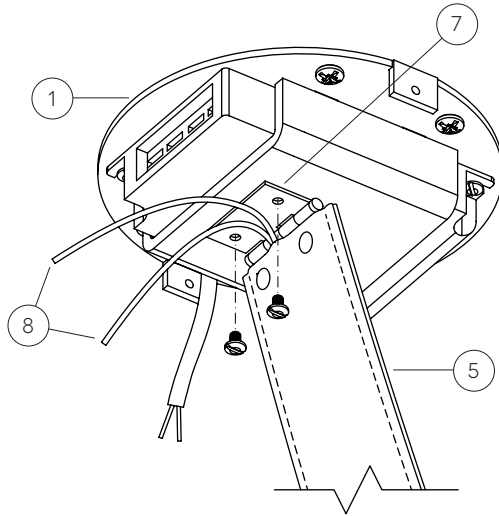
Thread a large canopy (6) on the end of the mounting (5) from which the cables originate. In this step you shall be aware of 2 things.

- 1) The eccentric grooves in the two canopies shall after the installation face each other as shown in the figure.
- 2) After passing the mounting through the canopy, the upper side of the mounting shall be oriented in the same direction as the groove in the canopy. The upper side of the mounting is the one where there are only 3 light sources.



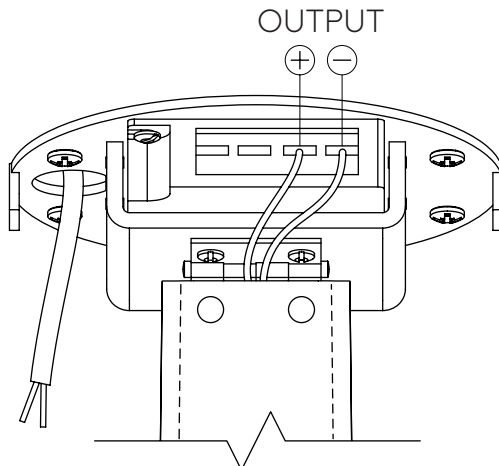
4

Screw the hinge (7) at the end of the mouting (5) to the large anchor plate (1) as shown in the figure. The cables (8) shall come from the underside of the mouting.



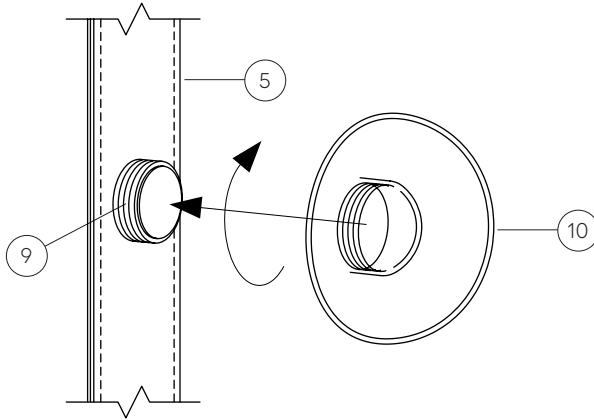
5

Perform the wiring as shown in the figure.  
Use a 12V DC transformer.

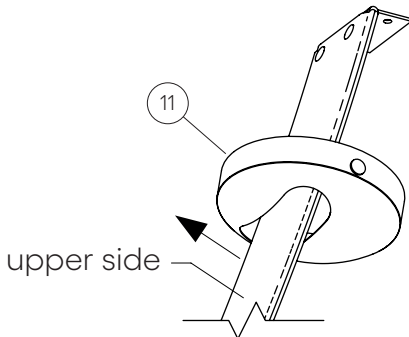


**6**

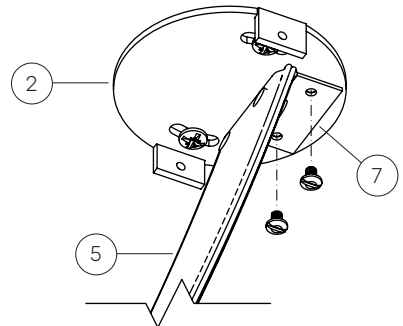
Screw the glass parts ⑩ onto the threads of the light sources ⑨ on the mounting ⑤. You can find inspiration on the first page of this manual for the layout of individual glass sizes.

**7**

Thread a small canopy ⑪ on the other end of the mounting. The same principles apply as in step 3.

**8**

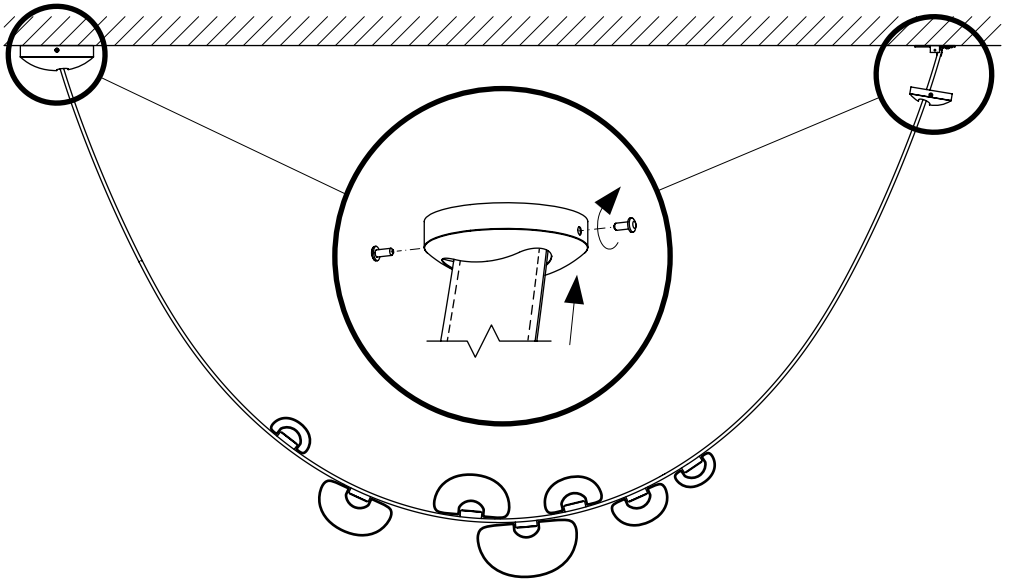
Screw the hinge ⑦ at the end of the mounting ⑤ to the small anchor plate ② as shown in the figure.



Slide the large and small canopy along the mounting to the ceiling and fix them to the anchor plates with a pair of screws.

Congratulations! You can now turn on the light.

When disassembling, first switch off the light and disconnect it from the power supply. Proceed in the reverse order of this installation manual. Possible later transport of the light fixture perform in either the original or comparable packaging to prevent damage.





## Maintenance

- When unpacking, installing and cleaning your fixture, handle the individual components with outmost care, particularly the glass parts, which are very fragile.
- When installing and cleaning, touch the plated glass only with the gloves supplied. Failure to do so could cause irreversible damage to the surface.
- Assembly and electric installation must be carried out by certified electricians.
- Pendant lights are intended for interiors.
- We recommend consulting the installation and the anchoring of pendant lights in ceiling materials with your project manager, technician or another competent party.
- Do not cover nor touch the light source while the light is on.
- Do not attempt any repairs or changes to the components. Always contact our specialized service.
- Spare parts that are not supplied or approved by the producer may not be used.
- Do not expose the light fixture to unsuitable environments where it could become damaged (water, frost, heat).
- Ensure appropriate access (ladder, scaffolding, aerial work platform) prior to maintenance or cleaning pendant lights, in order to comfortably reach and safely handle the light fixture.
- **Note:** in some areas, the lighting fixture may have sharp edges that may cause injury. Beware while in immediate proximity of the fixture.
- Perform cleaning and all maintenance with the light turned off, ideally entirely disconnected. Respect this rule for the entire duration of installation.
- We recommend hanging the fixture up at sufficient height to avoid injury (e.g. head injury) to persons moving within its proximity.
- We recommend performing the installation of pendant lights with more than one person.
- After installation check whether the light fixture is properly set in its base.
- Do not expose the light to inappropriate strain and protect it from mechanical damage.
- When in operation, the light source becomes hot. Prior to any handling, wait for the light source to naturally cool down and do not expose it to fast cooling.
- Do not hang any other components on the light fixture, other than those listed in the installation manual.
- Pay attention to checking all parts prior to their installation. Damaged components and glass parts (fragmentation, cracks) may cause personal injuries to persons moving within its proximity.
- Should any serious problem occur during cleaning or maintenance, do not hesitate to contact the producer.
- Any other handling of the pendant light fixture should be performed by a qualified technician or directly by the producer.

## **Cleaning**

- All cleaning and maintenance must be carried out when the power is off, ideally entirely disconnected.
- When cleaning, use fine-fabric gloves. Particularly avoid handling metal-coated crystal without gloves to avoid fingerprints and loss of gloss.
- Use soft cloths to clean metal parts. Such parts may be cleaned with a dry cloth or a cloth dampened in warm water with a mild detergent. Avoid the use of solvents or technical benzene to clean metal parts. Avoid alcohol-based cleaners that may cause changes of surface colors.
- Clean fine-steel surfaces with products sold especially for this purpose.
- To clean the glass parts, use products in concentrations recommended by their producers.
- Immediately after cleaning, dry the light fixture and hang it again.
- Never use liquid solutions or chemical cleaners to clean the plated glass. Wipe the surface with a soft, dry cloth only.
- Avoid cleaning removable parts of the light fixture in a dishwasher.

## **Important notice**

- The producer bears no responsibility for damage caused by unprofessional installation or inappropriate handling of the light fixture, including installation with accessories other than those recommended by the producer.
- The producer bears no responsibility for damage caused by unprofessional interventions into the mounting and safety features of the light fixture, including damage to the product by inappropriate power supply, storage or use of the light fixture in a humid environment.
- Do not place the light fixture in humid environments, such as near a boiler or other sources of water vapor. Do not place the lighting fixtures in shower enclosures or above bathtubs and never touch them when you are in contact with water.
- The producer reserves the right to make minor changes to the construction of the light fixture without prior notice.

## Disposal

Upon the completion of the technical working life of the light fixture and its disconnecting from power supply, dismantle and separate the individual parts. Hand over the separated parts to the appropriate organizations responsible for waste disposal.

## Waste Materials Catalog

Number	Category	Name
10 11 11*	N	Waste glass in small particles and glass powder containing heavy metals
10 11 12	O	Waste glass other than those mentioned in 10 11 11
17 04 01	O	Copper, bronze, brass
17 04 05	O	Iron and steel
20 01 01	O	Paper and cardboard
15 01 05	O	Composite packaging

## Contact

Bohemia Machine Ltd.  
1177 Zámecká St.  
58291 Světlá nad Sázavou  
Czech Republic  
+420 569 453 149  
info@bomma.cz  
www.bomma.cz

**Instagram** bomma\_cz

**Facebook** bommacz

bomma.cz

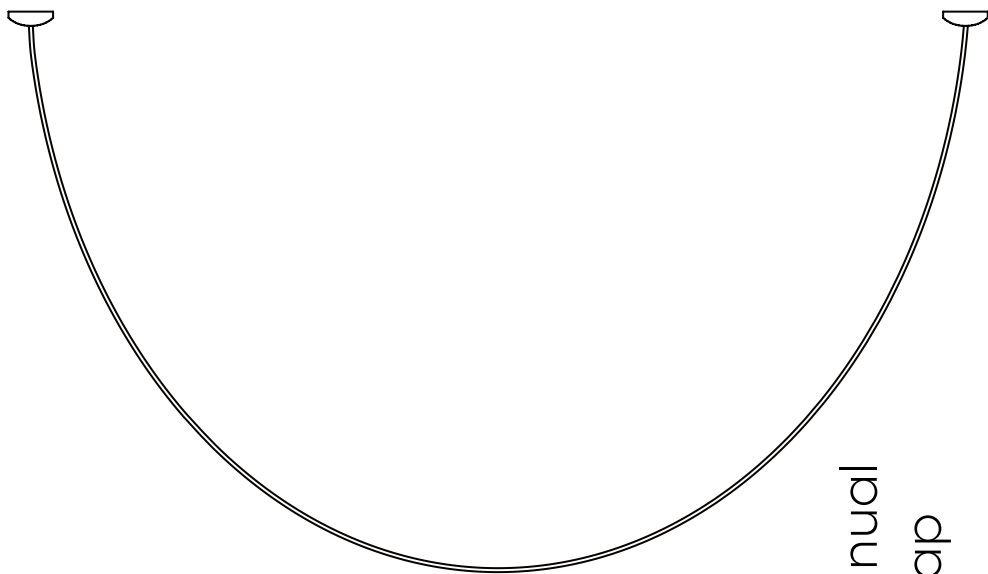
Control

Date of packaging

step | beyond

# dew drops

Design by Boris Klimek



loomma

Installation Manual  
for Leather Strap  
**Don't throw away!**



## **Introduction**

- Please, read this user's manual carefully prior to installation and follow its instructions and recommendations.
- The installation requires more than one person.
- For safety reasons, as well as for warranty purposes, it is forbidden to use this product in breach of this manual and other purposes stipulated in this manual.
- Prevent children or persons with lowered sensory or psychological abilities from handling the leather strap, as it contains small and fragile pieces that could be dangerous when inappropriately handled or ingested.
- The producer bears no liability for damage caused by improper installation.
- The surface of the mounting may also include minor imperfections due to manual production.
- The product is intended for interior.

## **Components included in the package**

- Leather strap
- Allen key
- Installation manual
- Maintenance instructions
- Gloves

## **Technical parameters, specifications**

- Weight:  $\pm 2,7$  kg
- Dimensions: dia. max. 2525 mm, H max. 1205 mm

# 1

Upon opening, first check that there was no damage occurred during transport and that the light fixture is complete. Otherwise, please contact your seller immediately, as later claims may not be considered.

Assemble the product according to the manual.

Mark on the ceiling the places for fixing anchor plates ① according to Figure A. The recommended distance from the center to the center is 180-240 cm. It is important that the anchor plates are oriented exactly as shown in Figure A. The pair of holes ② for fixing the mounting shall be on the outside. After marking, fix the anchor plates to the ceiling as shown in Figure B using dowels and screws not included in the package. Choose the size and type according to the ceiling material and the weight of the product.

Figure A

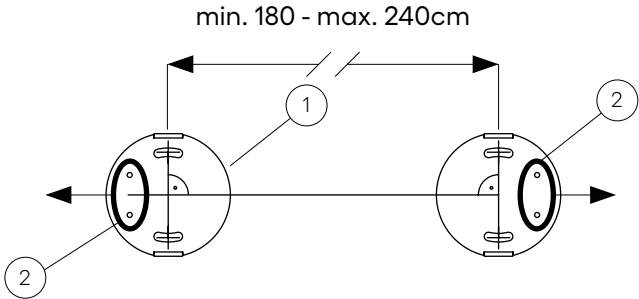
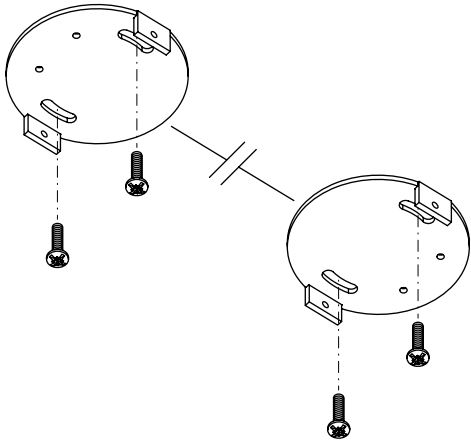


Figure B





2

Thread the first canopy (3) on the leather strap (4).  
Hinges (5) must be on the upper side of the strap (Figure C).  
The eccentric grooves in the two canopies shall after the installation face each other (Figure D).

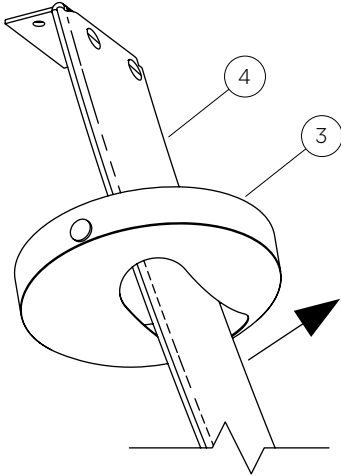


Figure C

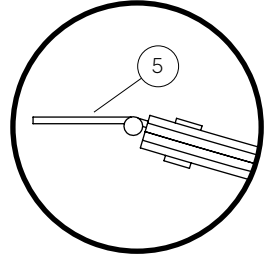
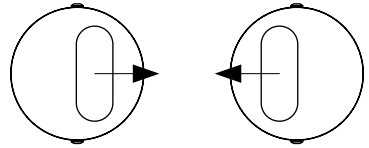
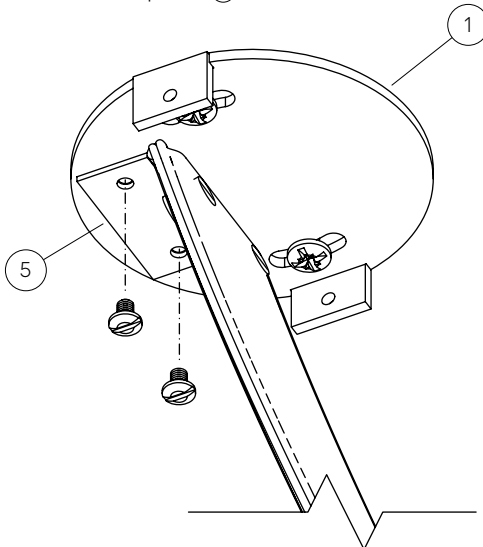


Figure D



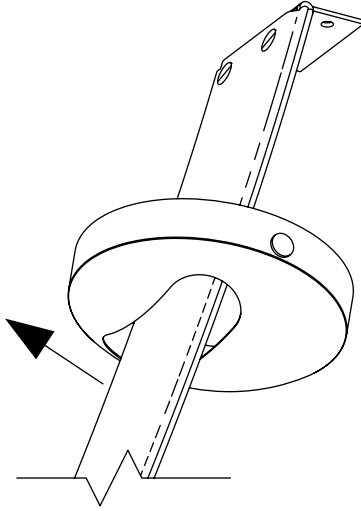
3

Screw the hinge (5) to the anchor plate (1).



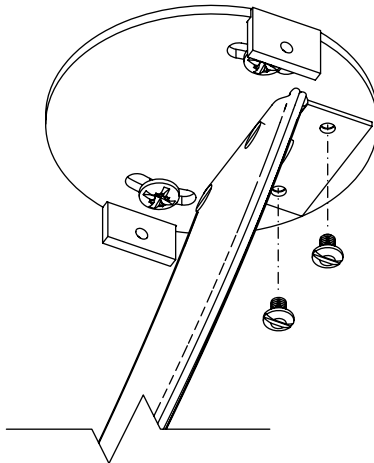
4

Thread the second canopy on the leather strap.



5

Screw the hinge to the anchor plate.

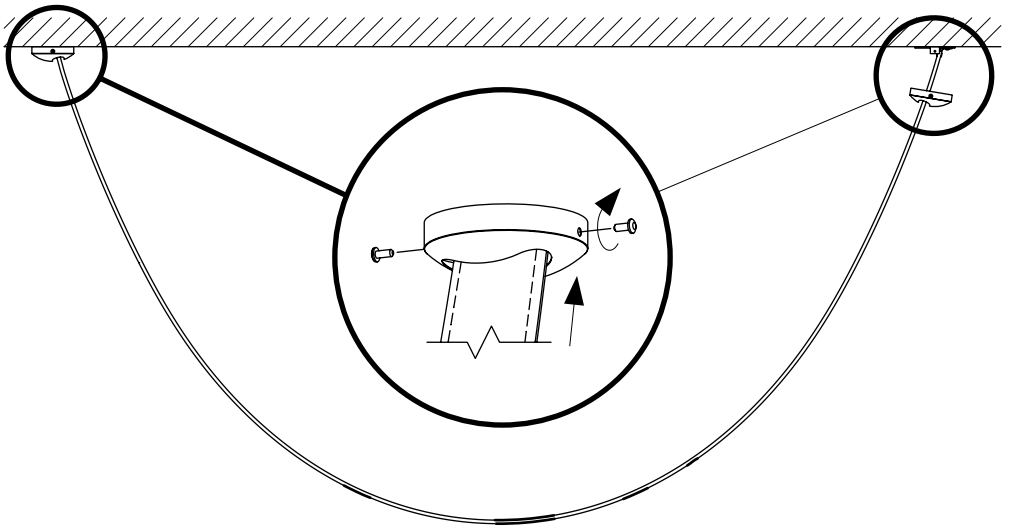


6

Slide both canopies along the strap to the ceiling and fix them to the anchor plates with a pair of screws.

Congratulations!

When disassembling proceed in the reverse order of this installation manual. Possible later transport of the product perform in either the original or comparable packaging to prevent damage.





## Maintenance

- When unpacking, assembling and cleaning the product, handle the individual parts with extra care.
- The assembly of the product must be carried out by an authorized person.
- The product is intended for indoor use.
- We recommend consulting the suitability of the location and fixing of the product to the ceiling material with a project manager, an engineer or other competent person.
- Do not make any repairs or changes to the components. Contact a specialist service center.
- Do not use any spare parts which have not been supplied or approved by the manufacturer.
- Do not expose the product to an unsuitable environment where it might get damaged (water, heat, frost).
- Before servicing or cleaning the product ensure sufficient access (ladder, scaffolding, mounting platform,...) so that you can handle the product safely.
- It is recommended to hang the product at a sufficient height to avoid injury (such as head injury) to persons moving near the luminaire.
- It is recommended to install the product in more than one person.
- After installing the product, check that it is correctly and securely fixed to its base.
- Do not expose the product to unreasonable loads, protect the product from mechanical damage.
- Do not hang any other components on the product in conflict with the manufacturer's installation instructions.
- Pay attention to checking all parts before their installation.
- Contact the manufacturer if a serious problem occurs during cleaning or maintenance of the product.
- Any other manipulation with the product should be carried out by qualified personnel or directly by the manufacturer.

## **Cleaning**

- When cleaning, wear white gloves made of soft cotton cloth. |
- Use a soft duster to clean the metal parts. Metal parts can be cleaned with dry or dampened duster in lukewarm demineralized water. When cleaning the parts, do not under any circumstances use solvents, technical gasoline, technical cleaners, peroxides or alkalis. Avoid alcoholic agents, which could cause the change of surface color.

## **Important notice**

- The manufacturer accepts no liability for damage resulting from improper installation, improper handling of the luminaire, including installation combined with accessories other than those recommended by the manufacturer.
- The manufacturer accepts no liability for damage resulting from unprofessional tampering with the fixings and safety features of the product.
- The manufacturer reserves the right to make minor variations in the design of the product without prior notice.

## Disposal

Upon the expiration of the product's shelf life, proceed in accordance to legal regulations for environmental protection and public health safety.

## Waste Materials Catalog

Number	Category	Name
10 11 11*	N	Waste glass in small particles and glass powder containing heavy metals
10 11 12	O	Waste glass other than those mentioned in 10 11 11
17 04 01	O	Copper, bronze, brass
17 04 05	O	Iron and steel
20 01 01	O	Paper and cardboard
15 01 05	O	Composite packaging

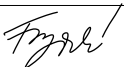
## Contact

BMRC GROUP s.r.o.  
Pod dráhou 1638/7, Holešovice,  
170 00 Praha 7  
Czech Republic  
+420 569 453 149  
info@bomma.cz  
www.bomma.cz

**Instagram** bomma\_cz

**Facebook** bommacz

# bomma.cz

drawn by	approved by	revision	date	signature
Karel Jankovský	Jana Fryšavská	1	11. 2023	

Control

Date of packaging

step beyond