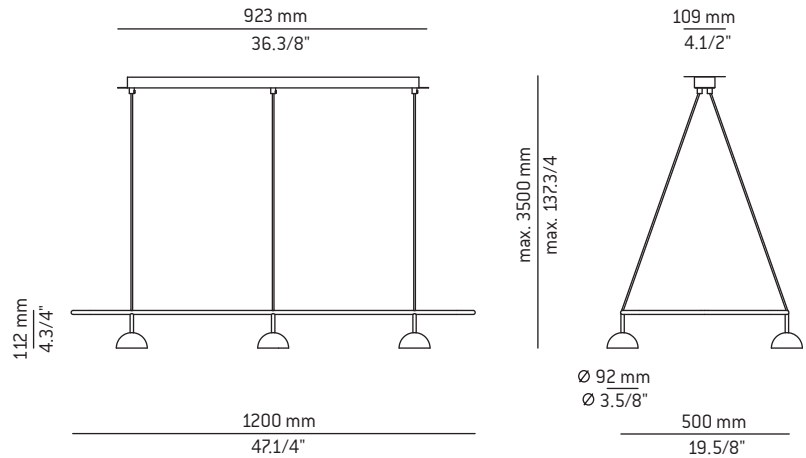


Indoor suspension lamp with soft-edged rectangular metal body, dome heads, acrylic lens diffuser and integral dimmable LED. Adjustable height. Optional decorative sound absorbing panel with artificial greenery.

Colgante metálico de interior con cuerpo rectangular y bordes redondeados, cabezales en forma de cúpula, difusor de metacrilato y LED integrado. Altura regulable. Panel acústico con vegetación artificial opcional.



Warning

PRODUCT IS TO BE INSTALLED BY A QUALIFIED ELECTRICIAN ONLY. LE PRODUIT DOIT ÊTRE INSTALLÉ PAR UN ÉLECTRICIEN QUALIFIÉ UNIQUEMENT. EL PRODUCTO DEBE SER INSTALADO SOLO POR UN ELECTRICISTA CUALIFICADO.

The light source of this luminaire is not replaceable. Once the light source's lifecycle ends, you must contact the manufacturer for repairs. The flexible outer cable of this luminaire cannot be replaced; in the event of damage, the luminaire must be discarded or sent to the factory for repair.

La fuente de luz no es reemplazable. Cuando alcance el final de su vida, debe ponerse en contacto con el fabricante para su reparación. El cable flexible exterior de esta luminaria no puede sustituirse; en el caso de que esté dañado, la luminaria debe enviada a fábrica para su reparación.

- WE RECOMMEND READING THE INSTRUCTIONS ENTIRELY BEFORE STARTING YOUR INSTALLATION PLEASE SAVE THESE INSTRUCTIONS SO THAT YOU CAN REFER TO THEM AT A LATER TIME
- * Do not look directly into any LED source.
 - * Make sure the power has been disconnected before installing the fixture.
 - * For indoor and outdoor use.
 - * Do not use alcohol or solvents to clean the lamp.
 - * For your convenience, assembly by two people is recommended.

- LE RECOMENDAMOS LEA LAS INSTRUCCIONES ANTES DE PROCEDER A LA INSTALACIÓN GUARDE LAS INSTRUCCIONES PARA FUTURAS REFERENCIAS
- * No mirar directamente a los LED.
 - * Asegúrese de que la corriente está desconectada antes de conectar el aparato.
 - * Para uso en interiores y exteriores.
 - * Para limpieza no utilizar alcohol ni disolventes.
 - * Recomendamos la intervención de 2 personas para el montaje de la lámpara.



UL 1598 ELECTRICAL INSTRUCTIONS FOR FLUSHMOUNTS, WALL SCONCES AND PENDANTS

SAVE THESE INSTRUCTIONS. MIN 90C SUPPLY CONDUCTORS. CAUTION-RISK OF FIRE. USE STATED WATT OR SMALLER. CAUTION-RISK OF SHOCK. DISCONNECT POWER BEFORE SERVICING. TO REDUCE THE RISK OF A BURN DURING RELAMPING, ALLOW THE BULB TO COOL DOWN. SUITABLE FOR DAMP LOCATION. THIS PRODUCT MUST BE INSTALLED IN ACCORDANCE WITH THE APPLICABLE INSTALLATION CODE BY A PERSON FAMILIAR WITH THE CONSTRUCTION AND OPERATION OF THE PRODUCT AND THE HAZARD INVOLVED.

WARNING: ALL WIRES AND WIRE NUTS USED IN THE INSTALLATION MUST BE RATED 195F (90°C). FOR INDOOR USE ONLY. THESE PRODUCT MUST BE INSTALLED BY A QUALIFIED ELECTRICIAN.

Assembly instructions / Instrucciones

1 - Unscrew the side screws (A) to remove the canopy (B).
Figure 1.

1 - Desenroscar los tornillos laterales (A) para liberar el tapapared (B).
Figura 1.

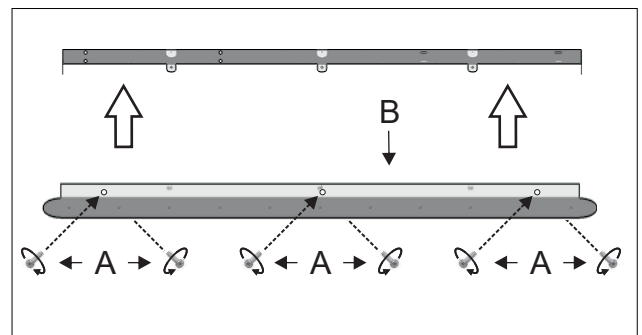


Figure 1

2 - Release the cable holder screw (D) to run the power cables (E) through the central hole. Adjust the height of the lamp and tighten back the screw. Make sure the cable is secured. Repeat the action for each pendant. Figure 2

2 - Desenroscar la espiga (D) del sujetacables (C) para introducir los cables de la lámpara (E) por el agujero central. Ajustar la altura de la lámpara y volver a roscar la espiga para que el cable quede fijo. Repite la acción para cada colgante. Figura 2

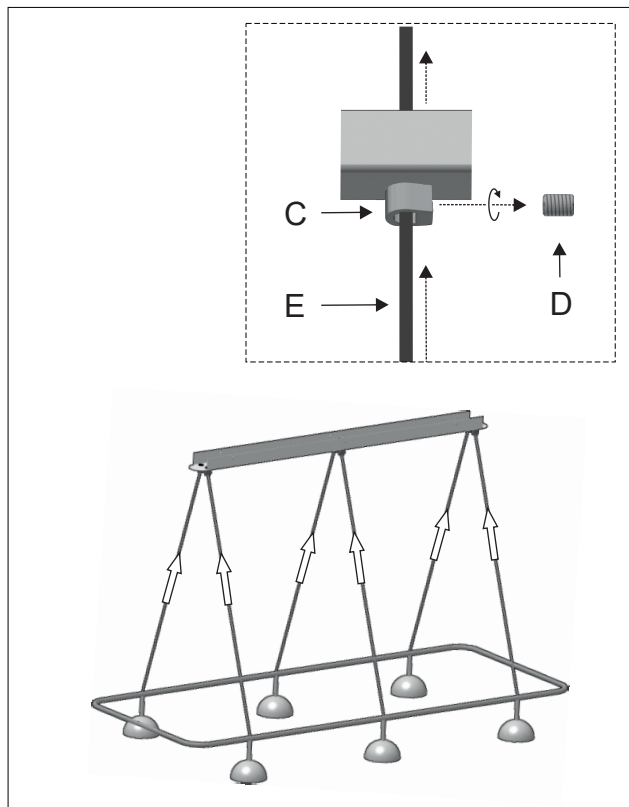


Figure 2

3 - Make the electrical connections inside of the junction box (G) [see figure 5 for connection scheme]. Attach the mounting bracket (F) to the ceiling. Figure 3.

3 - Realizar las conexiones eléctricas dentro de la caja de conexiones (G) (ver esquema de conexión en figura 5). Fijar la sujeción (F) al techo. Figura 3.

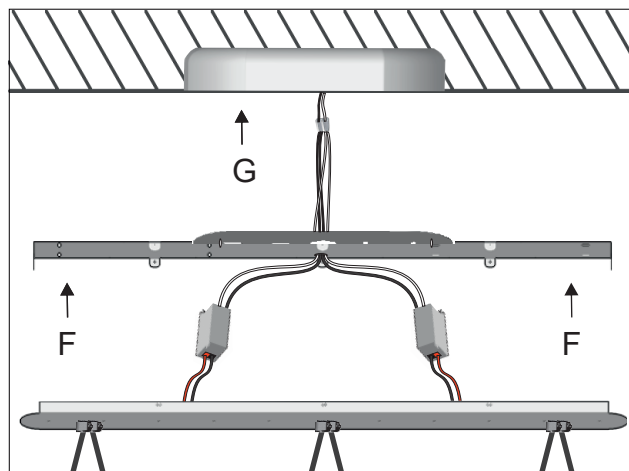


Figure 3

4 - Attach the canopy (B) back to the mounting bracket (C) and secure it with the screws (A) that were previously removed. Figure 4.

4 - Colocar de nuevo el tapapared (B) en la sujeción (C) y fijarla con los tornillos (A) retirados previamente. Figura 4.

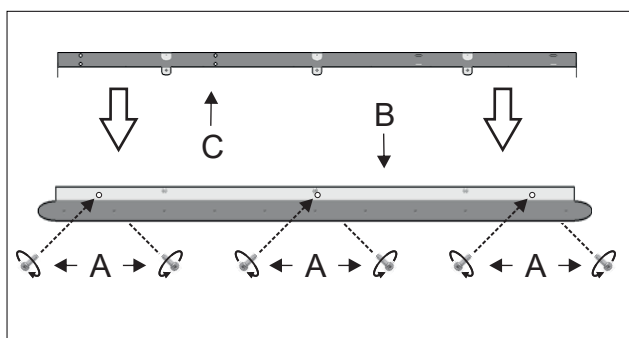


Figure 4

5 - CONNECTION SCHEME

The pendants must be connected using a single driver for three pendants. The driver (D) and the three pendants have to be connected in series. Make sure the drivers are all connected to the main power. See connection scheme. Figure 5.

Attention: Respect the polarity (+) (-). Make sure the red wire is connected to the positive symbol to avoid electrical failures. The driver (C) must be used for installation, otherwise the LEDs will burn out.

5 - ESQUEMA DE CONEXIÓN

Las lámparas deben ser conectada en serie entre ellas utilizando un mismo driver (D) para tres colgantes. Los drivers deben ser conectados en paralelo. Ver esquema de conexión. Figura 5.

Atención: respetar la posición de los cables positivos (+) y negativos (-) para evitar fallos eléctricos. Utilizar el driver (C) para su instalación, de lo contrario el LED se quemará.

- A → Lamp
- B → Canopy
- C → Terminal Strip
- D → Driver
- E → Mounting bracket
- → Positive cable (+)
- → Negative cable (-)
- → Neutral cable (N)
- → Live cable (F)
- ... → Ground cable (G)

- A → Lámpara
- B → Tapapared
- C → Regleta
- D → Driver
- E → Sujeción
- → Cable positivo (+)
- → Cable negativo (-)
- → Cable Neutro (N)
- → Cable fase (F)
- ... → Cable tierra (G)

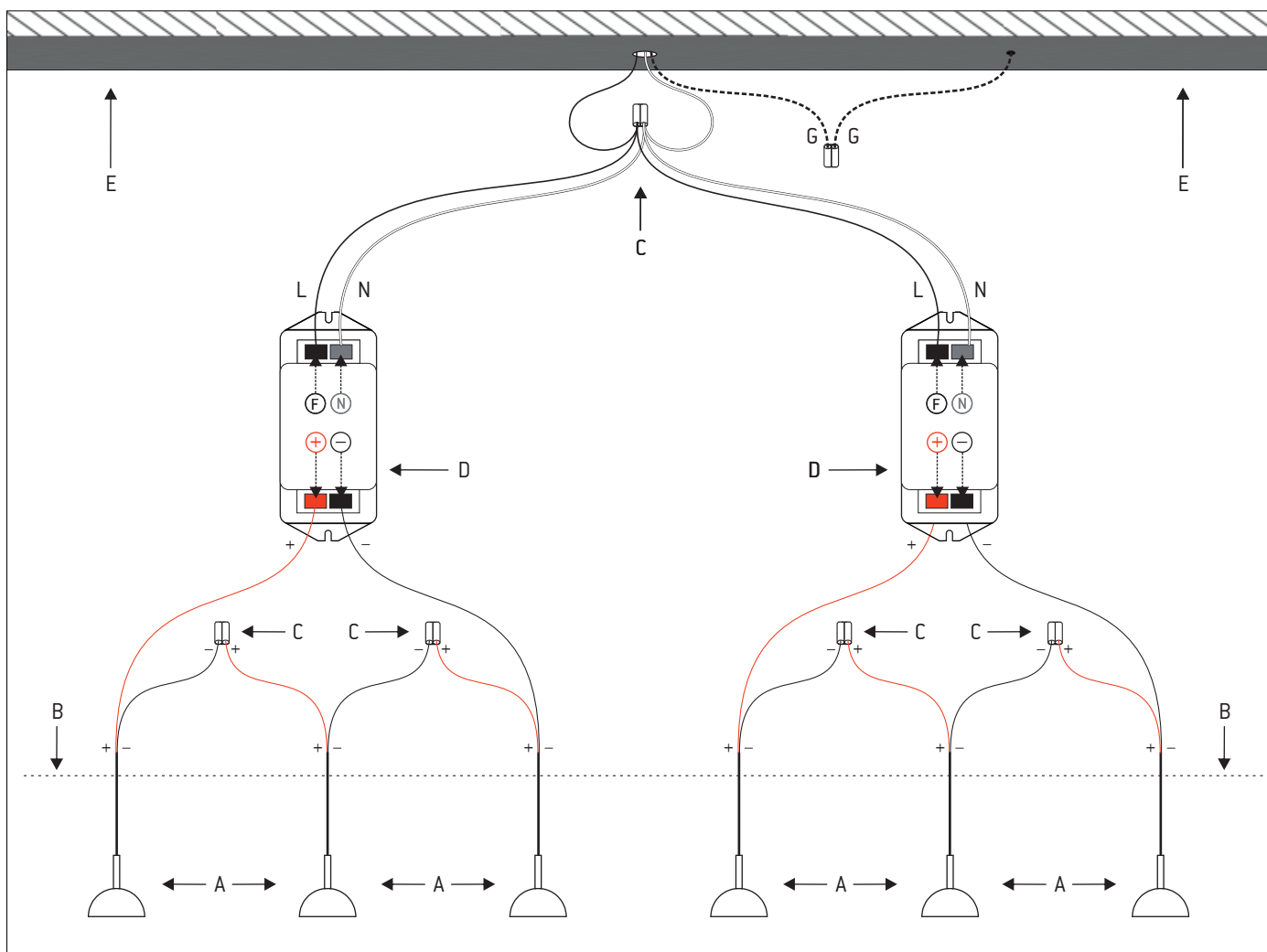


Figure 5