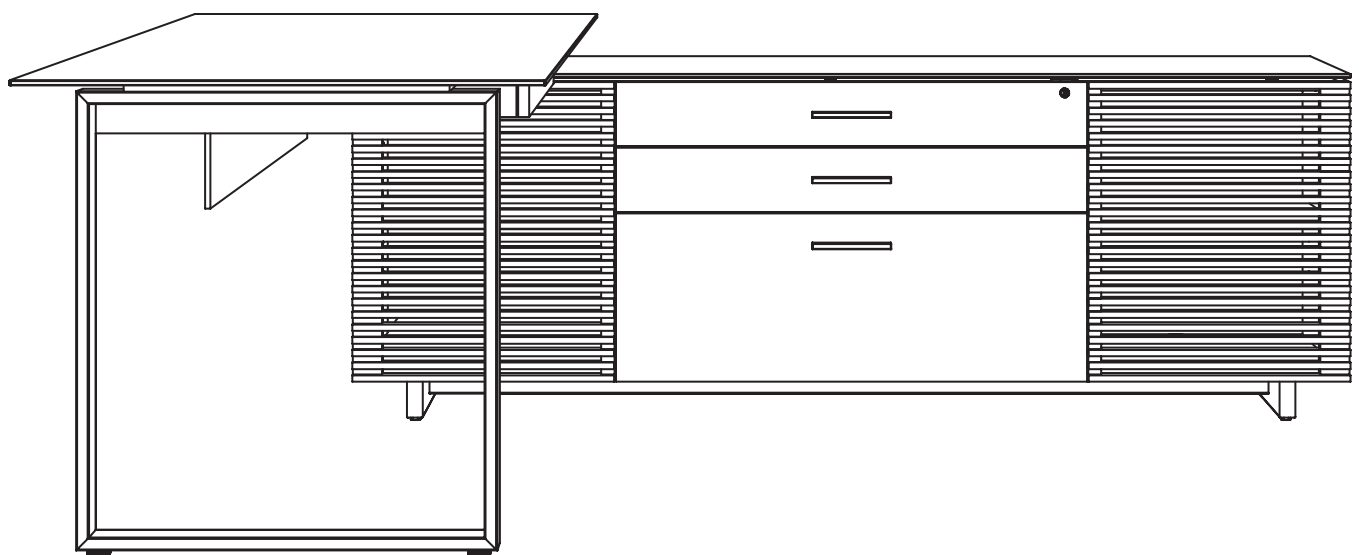


CORRIDOR[®] 6531

L-DESK

INSTRUCTION MANUAL

LET'S GET STARTED.



DESIGN MATTHEW WEATHERLY

BDi

BDIUSA.COM



Congratulations on the purchase of your Corridor L-Desk 6531 from BDI. Your desk has been designed to provide a lifetime of enjoyment. This manual will provide you with assembly instructions and other helpful information that will ensure that you get the most out of your desk. Please save it for future reference.

Your Corridor desk has been engineered for simple assembly. Please follow these directions carefully to prevent any damage.

Should you need further assistance, contact BDI at customerservice@bdiusa.com.


ENJOY!

HARDWARE AND COMPONENTS

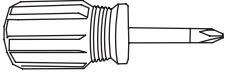
Unpack and identify the parts listed below. Note that some components are shipped inside the cabinet. The assembly workspace should be a non-marring surface such as carpet. For missing hardware pieces, please contact BDI Customer Service at customerservice@bdiusa.com.

Do not use power tools for assembly of this product.


For all other concerns, please contact your BDI retailer.



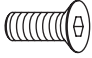
PART #	T1
DESCRIPTION	Hex Wrench
QUANTITY	1



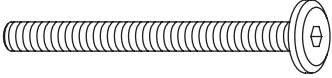
PART #	T2
DESCRIPTION	Phillips Flathead & Screwdriver
QUANTITY	1



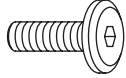
PART #	T3
DESCRIPTION	Leveler Wrench
QUANTITY	1



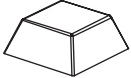
PART #	H1
DESCRIPTION	M6 x 16mm Flathead Screw
QUANTITY	8




PART #	H2
DESCRIPTION	M6 x 60mm Screw
QUANTITY	14



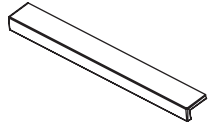
PART #	H3
DESCRIPTION	M6 x 16mm Screw
QUANTITY	23



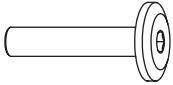
PART #	H4
DESCRIPTION	Glass Bumper
QUANTITY	6



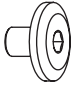
PART #	H5
DESCRIPTION	M4 x 40mm Screw
QUANTITY	6



PART #	H6
DESCRIPTION	Drawer Pull
QUANTITY	3

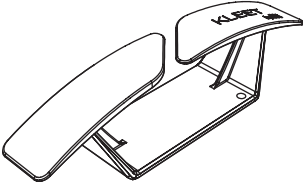


PART #	H7
DESCRIPTION	M6 x 30mm Screw
QUANTITY	3

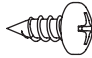


PART #	H8
DESCRIPTION	M6 x 8mm Screw
QUANTITY	4


HARDWARE AND COMPONENTS



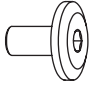
PART #	H10
DESCRIPTION	BDI Kleet
QUANTITY	3




PART #	H11
DESCRIPTION	Wood Screw
QUANTITY	6




PART #	H12
DESCRIPTION	M6.3 x 8mm Wood Screw
QUANTITY	8



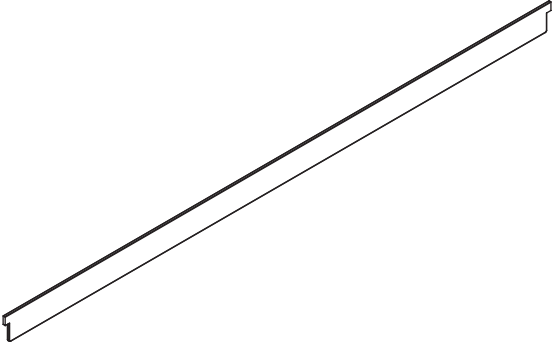
PART #	H13
DESCRIPTION	M6 x 12mm Screw
QUANTITY	2



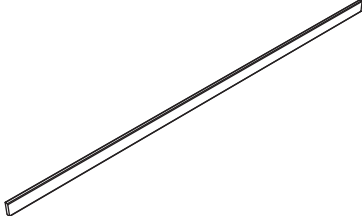
PART #	H14
DESCRIPTION	Shelf Pins
QUANTITY	8



PART #	H15
DESCRIPTION	File Bar Clip
QUANTITY	4

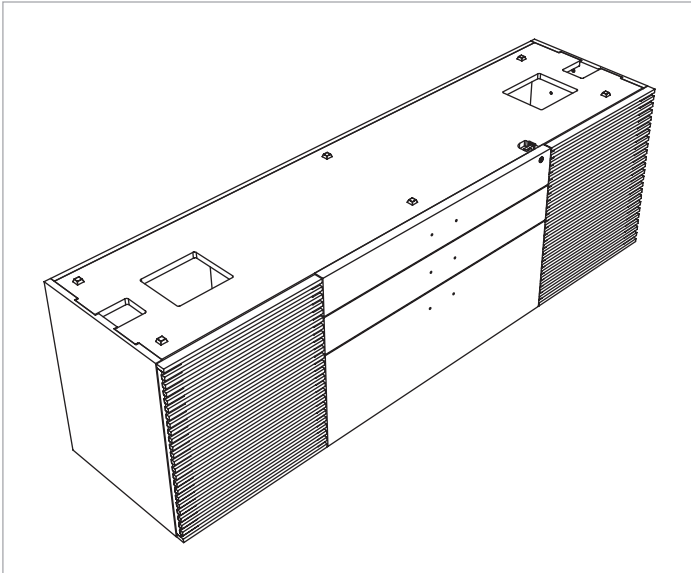


PART #	H16
DESCRIPTION	Long File Bar
QUANTITY	1

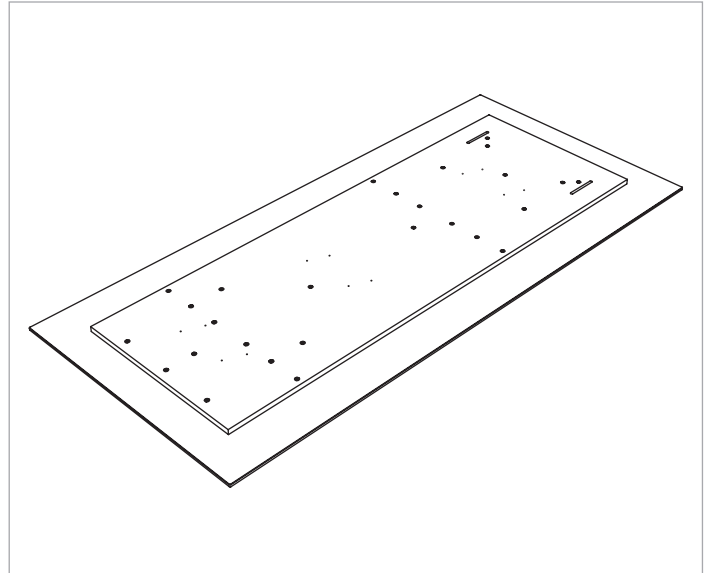


PART #	H17
DESCRIPTION	Short File Bar
QUANTITY	2

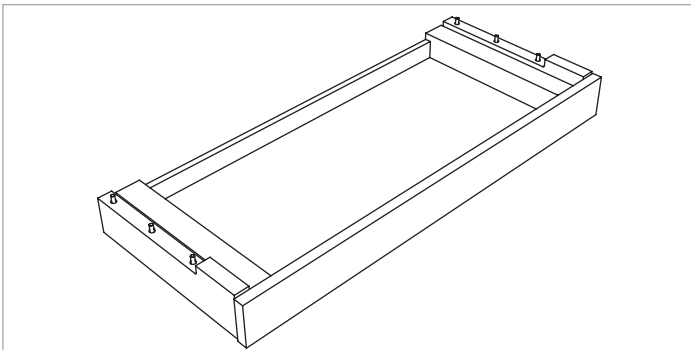
HARDWARE AND COMPONENTS



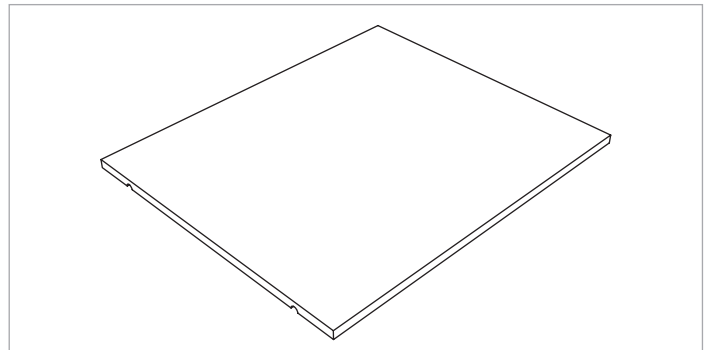
PART #	C1
DESCRIPTION	Cabinet
QUANTITY	1



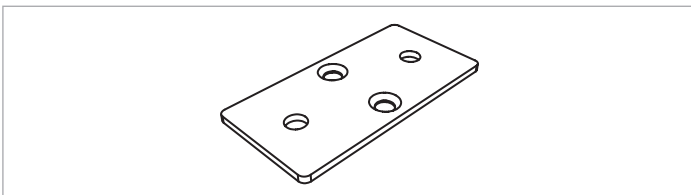
PART #	C2
DESCRIPTION	Desktop
QUANTITY	1



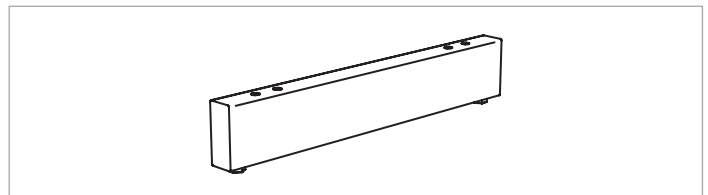
PART #	C3
DESCRIPTION	Keyboard Drawer
QUANTITY	1



PART #	C4
DESCRIPTION	Adjustable Shelf
QUANTITY	2

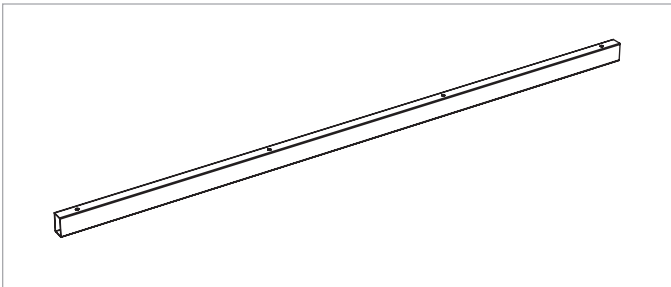


PART #	C5
DESCRIPTION	Leg Plate
QUANTITY	4

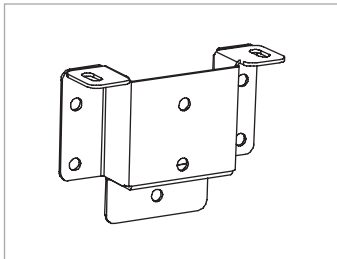


PART #	C6
DESCRIPTION	Cabinet Leg
QUANTITY	2

HARDWARE AND COMPONENTS



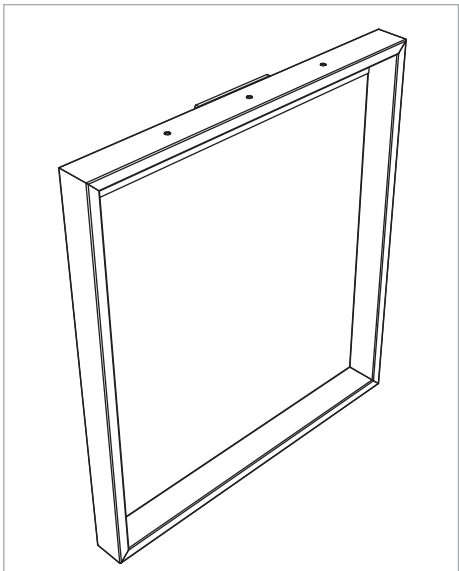
PART #	C7
DESCRIPTION	Base Rail
QUANTITY	1



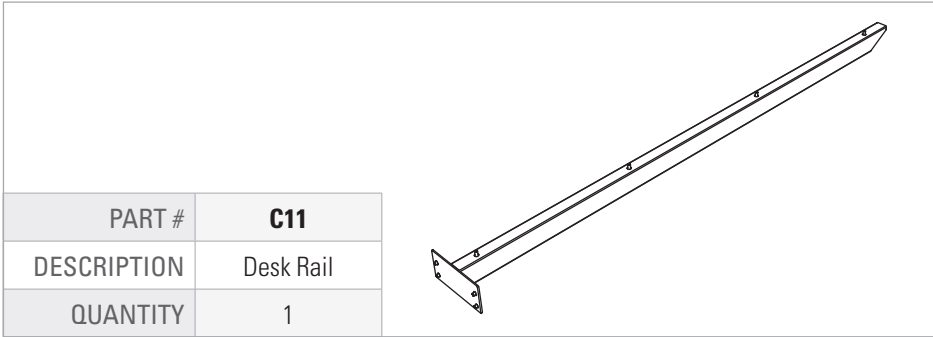
PART #	C8
DESCRIPTION	Connection Socket
QUANTITY	1



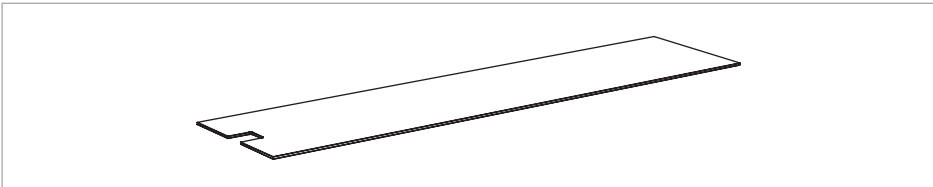
PART #	C9
DESCRIPTION	"T" Bracket
QUANTITY	1



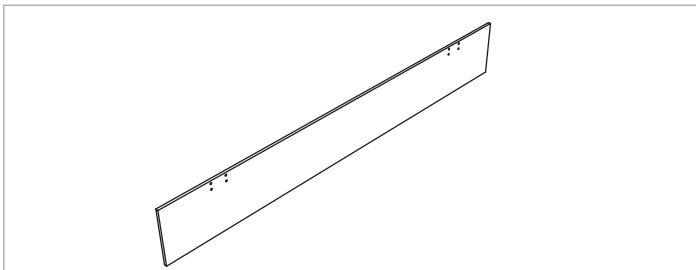
PART #	C10
DESCRIPTION	Desk Leg
QUANTITY	1



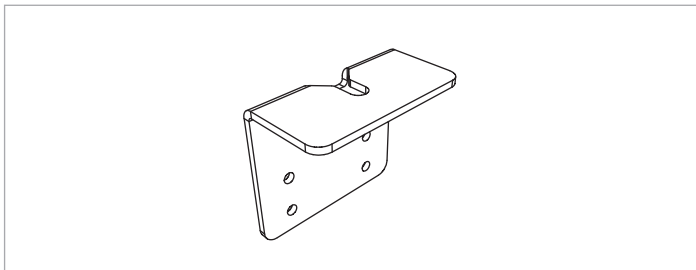
PART #	C11
DESCRIPTION	Desk Rail
QUANTITY	1



PART #	C12
DESCRIPTION	Cabinet Glass
QUANTITY	1


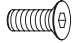


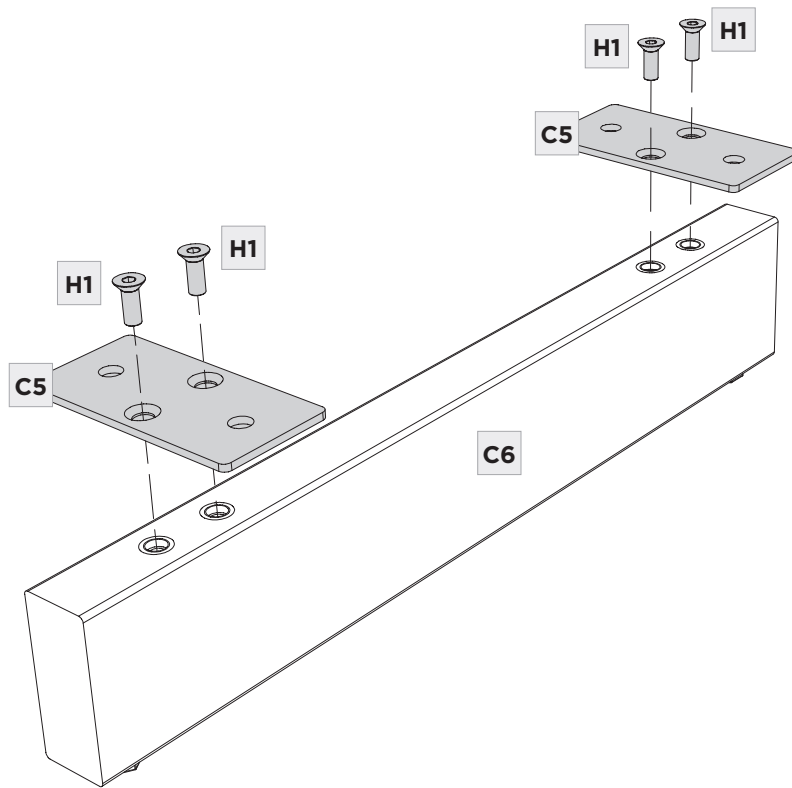
PART #	C13
DESCRIPTION	Modesty Panel
QUANTITY	1



PART #	C14
DESCRIPTION	Modesty Panel Bracket
QUANTITY	2

Attach the **(C5) Leg Plates** to the **(C6) Legs** using **4 (H1) Screws** per leg going through the countersunk holes and into the leg. Tighten with **(T1) Hex Wrench**.

	PART/DESCRIPTION	QTY
	T1-HEX WRENCH	1
	H1-SCREW	8





STEP 2. ATTACH BASE RAIL & LEGS TO CABINET

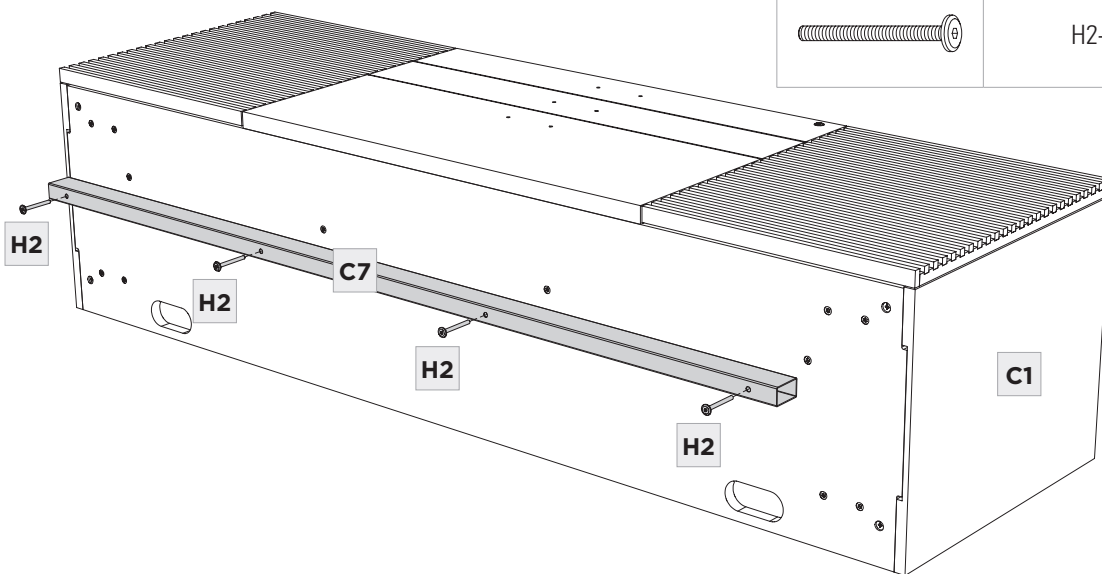
2 PERSON TASK




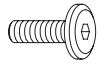
ASSEMBLY

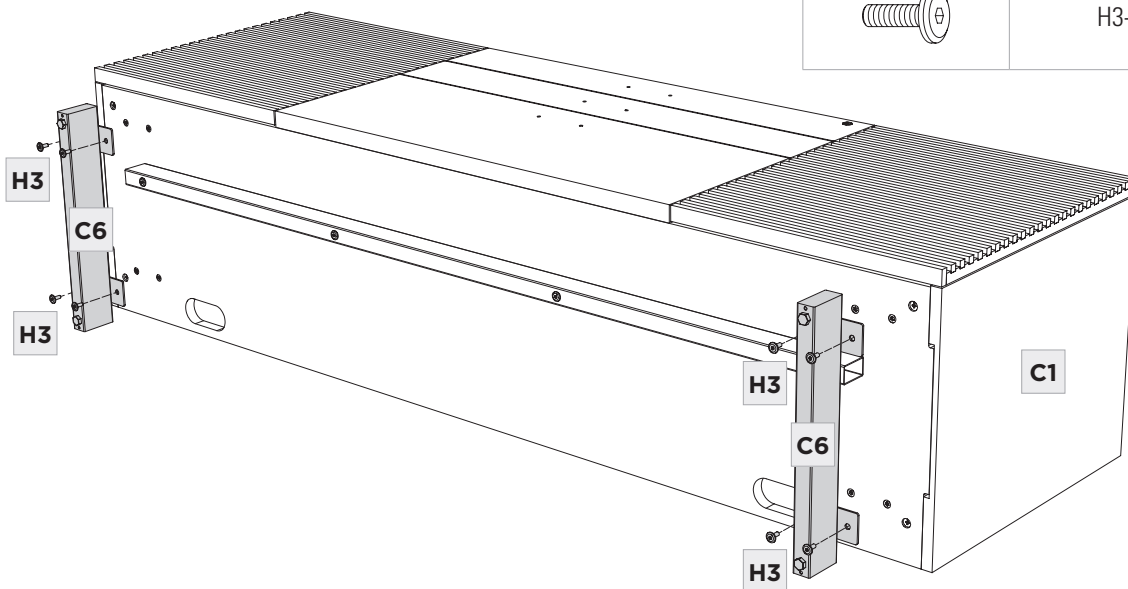
With help from another person carefully lay the **(C1) Cabinet** onto its back. Attach **(C7) Base Rail** to the bottom of the cabinet using **4 (H2) Screws**. Tighten with **(T1) Hex Wrench**.

	PART/DESCRIPTION	QTY
	T1-HEX WRENCH	1
	H2-SCREW	4



Attach both **(C6) Legs** to the bottom of the **(C1) Cabinet** using **8 (H3) Screws**. Tighten with **(T1) Hex Wrench**.

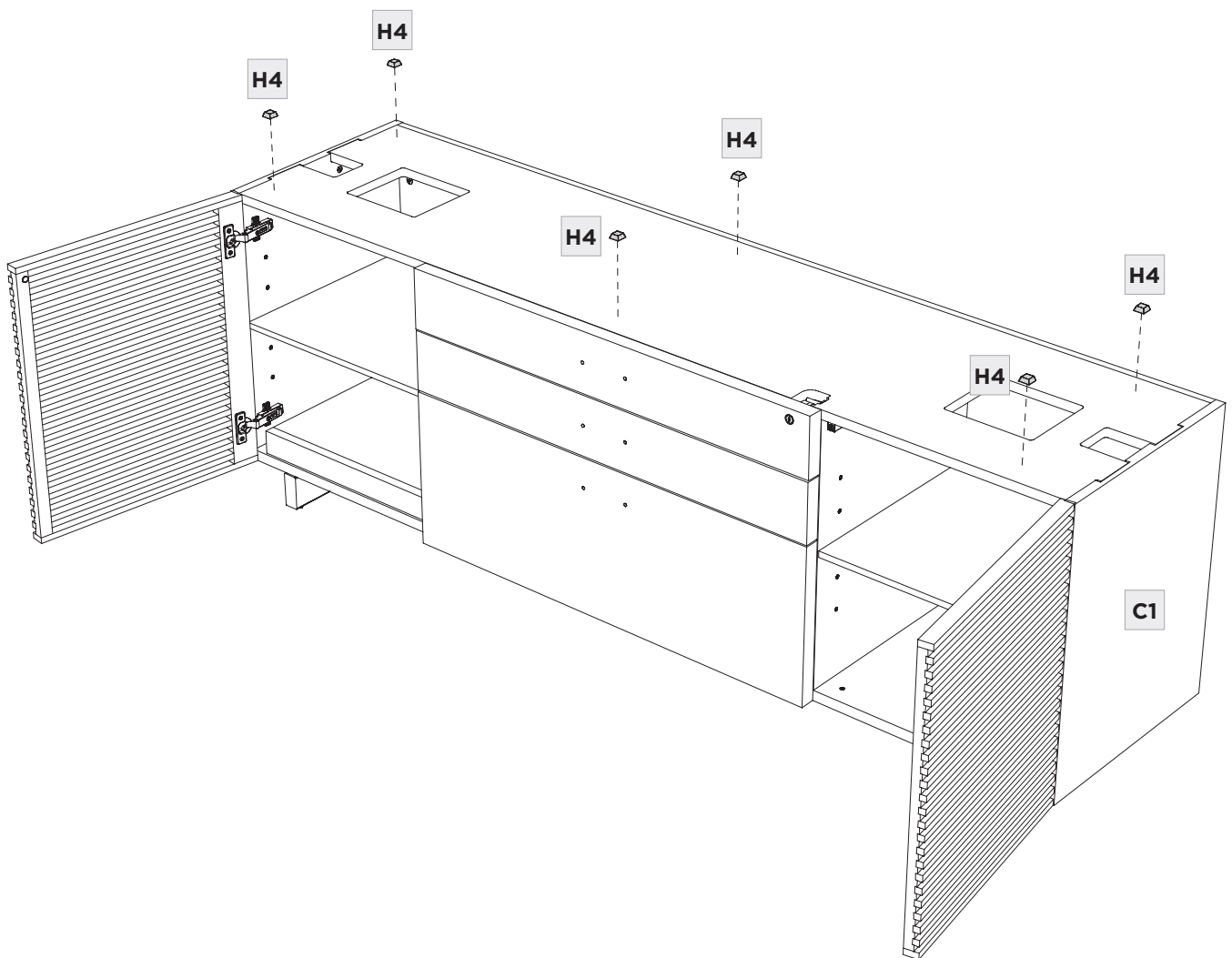
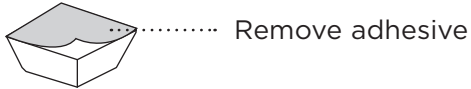
	PART/DESCRIPTION	QTY
	T1-HEX WRENCH	1
	H3-SCREW	8





With help from another person, carefully position the **(C1) Cabinet** onto its base. Remove adhesive from **6 (H4) Glass Bumpers** and attach to the top of the **(C1) Cabinet** in the positions shown.

	PART/DESCRIPTION	QTY
	H4-GLASS BUMPER	6


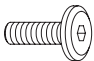


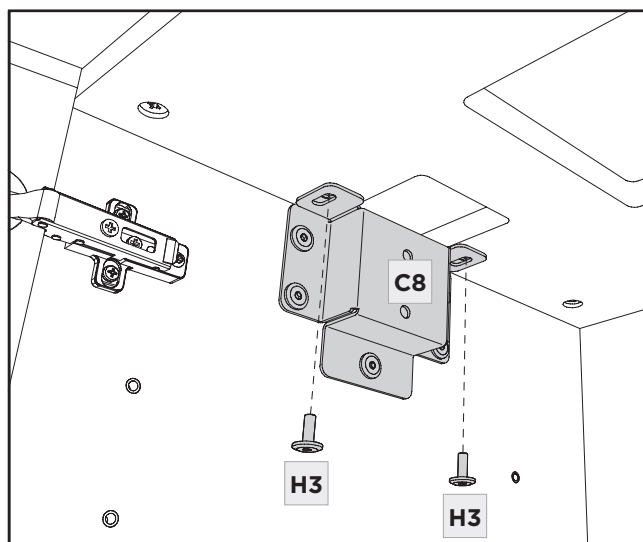
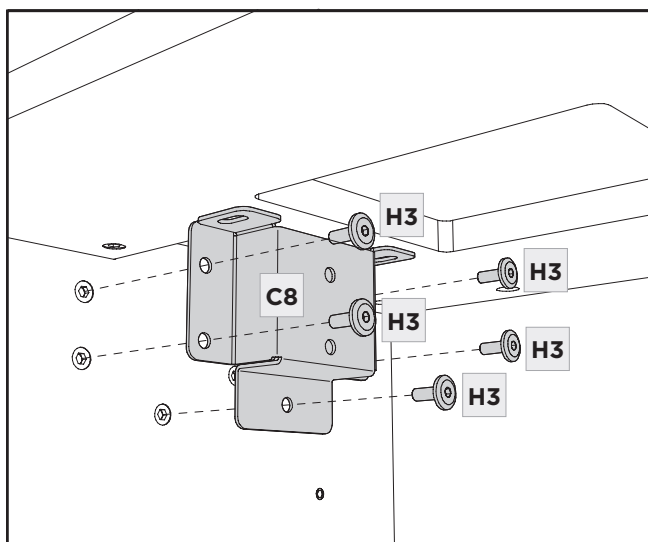
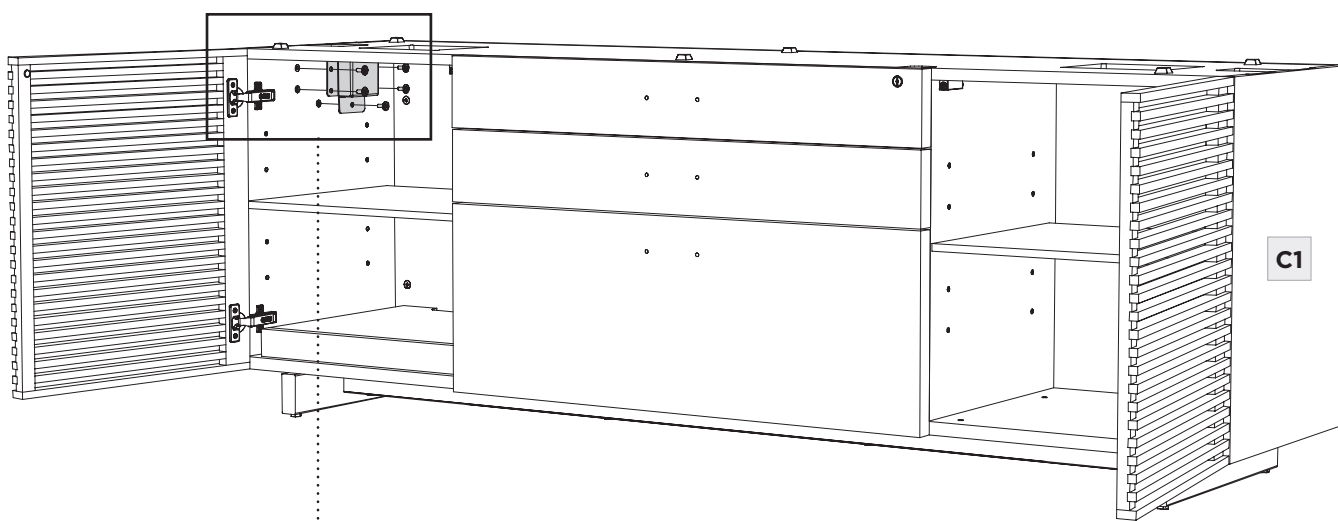
STEP 4. ATTACH CONNECTION SOCKET

ASSEMBLY

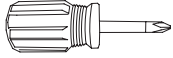

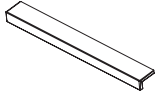
Open the door on the side you wish to secure the desk. Attach the **(C8) Connection Socket** to the side wall of the **(C1) Cabinet** using **5 (H3) Screws**. Partially tighten with **(T1) Hex Wrench**.

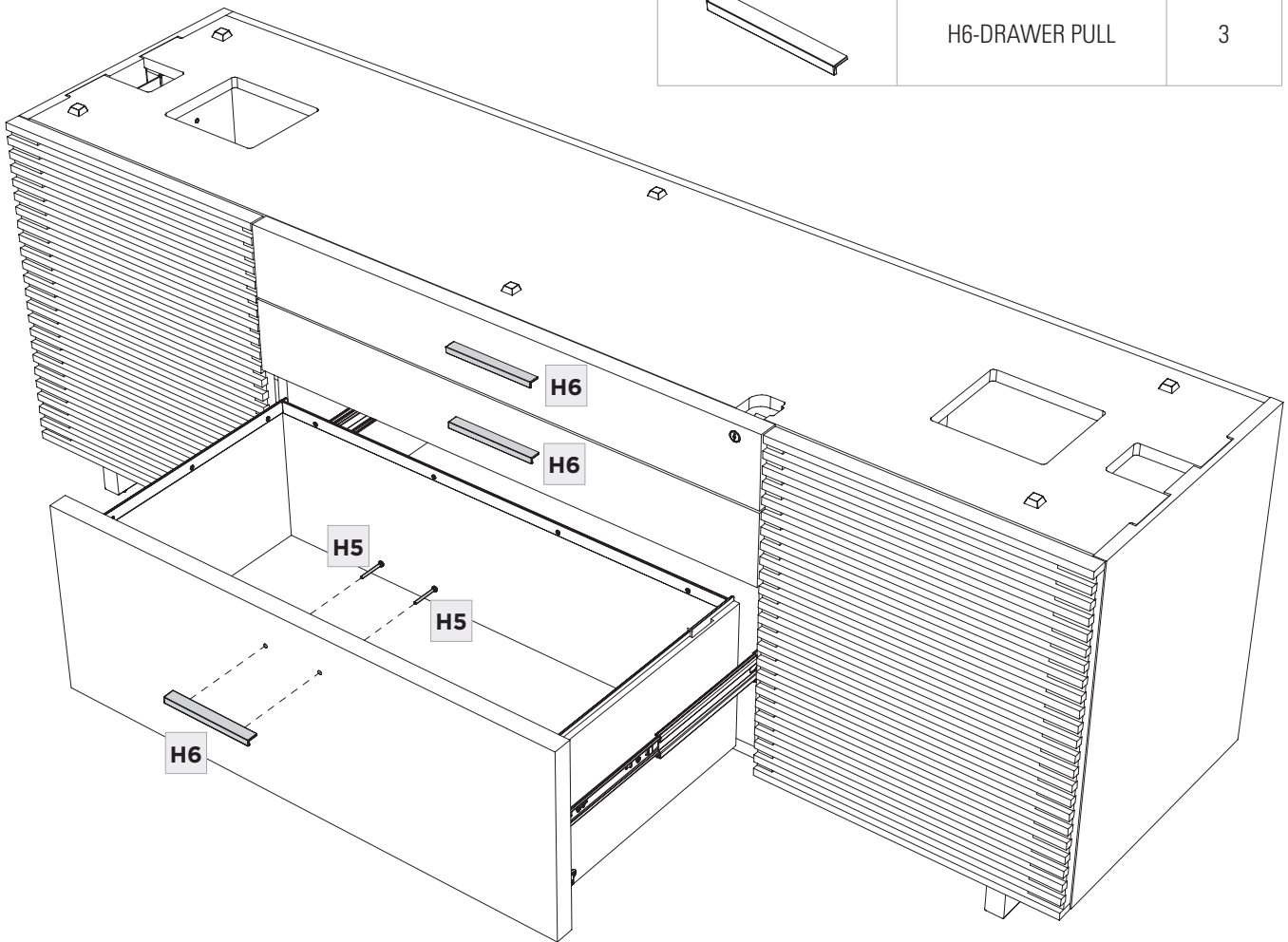
Add 2 more **(H3) Screws** attaching **(C8) Connection Socket** into the top panel. Partially tighten with **(T1) Hex Wrench**.

	PART/DESCRIPTION	QTY
	T1-HEX WRENCH	1
	H3-SCREW	7



Attach **3 (H6) Drawer Pulls** with **2 (H5) Screws** each. Tighten with a **(T2) Phillips Screwdriver**.


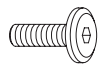
	PART/DESCRIPTION	QTY
	T2-PHILLIPS SCREWDRIVER	1
	H5-SCREW	6
	H6-DRAWER PULL	3

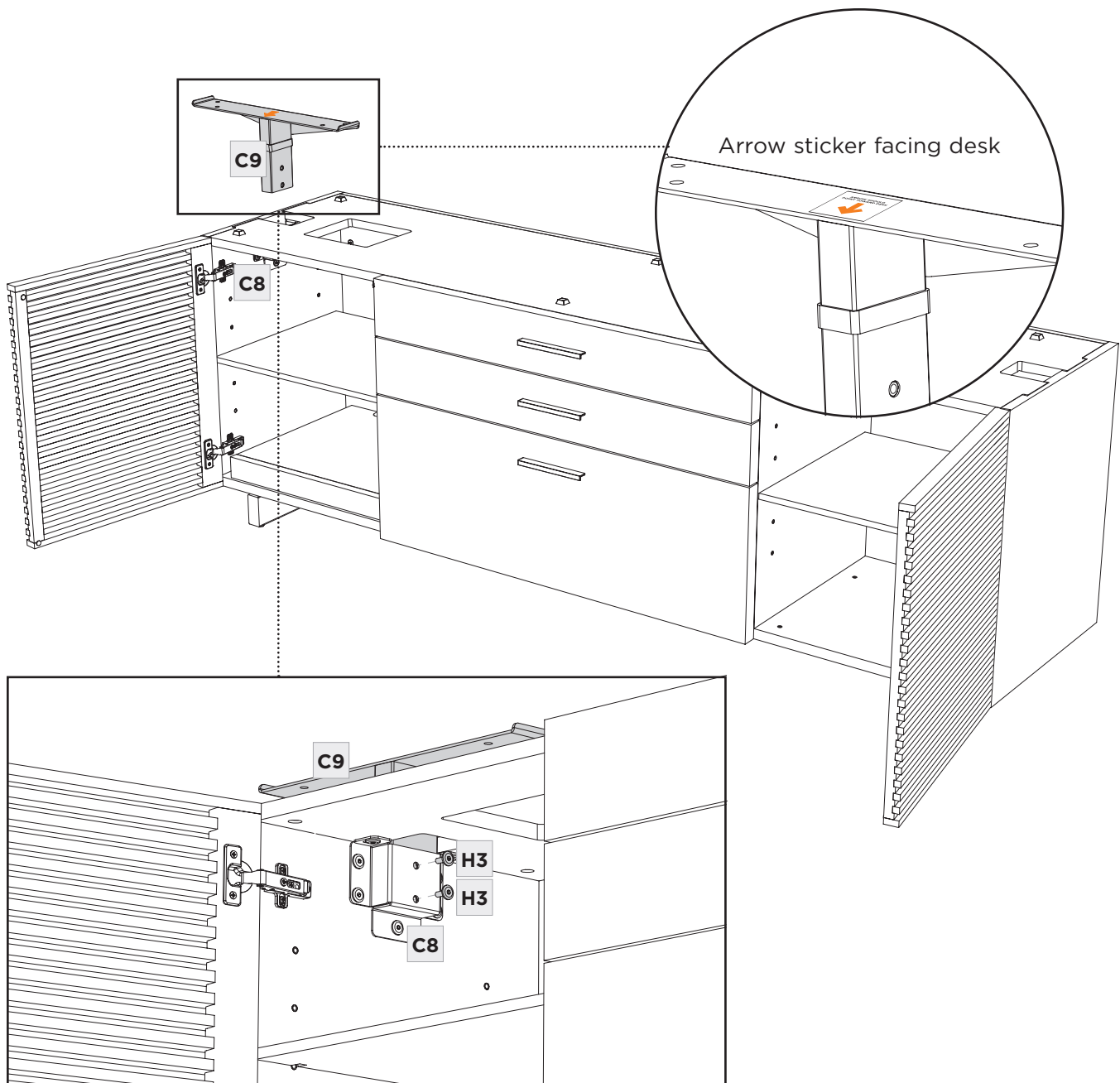


STEP 6. ATTACH "T" BRACKET

ASSEMBLY


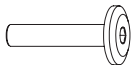
Insert the **(C9) "T" Bracket** into the **(C8) Connection Socket**. Ensure the arrow on the top of the **Bracket** is pointing towards the desk. Fasten the **(C9) "T" Bracket** to the **(C8) Connection Socket** using **2 (H3) Screws**. Tighten all **9 (H3) Screws** holding the **(C8) Connection Socket** with the **(T1) Hex Wrench**.

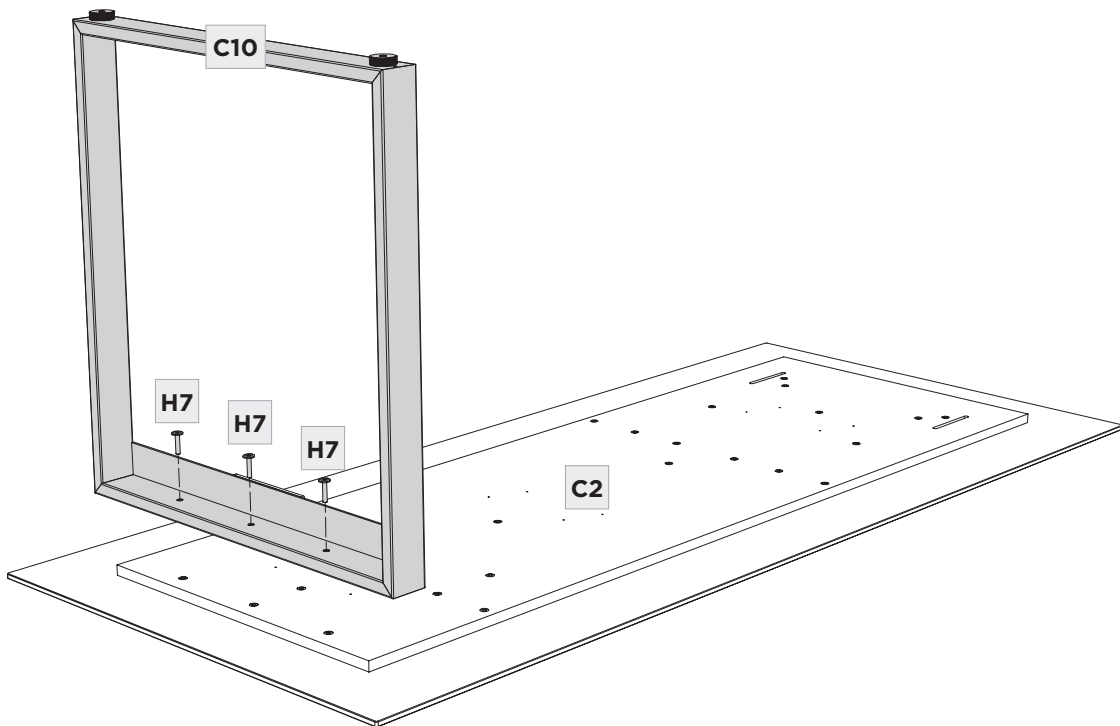
	PART/DESCRIPTION	QTY
	T1-HEX WRENCH	1
	H3-SCREW	2





With the help of another person, carefully place the **(C2) Desktop Assembly** upside down on a soft surface. Attach **(C10) Desk Leg** to **(C2) Desktop Assembly** using **3 (H7) Screws**. Partially tighten with **(T1) Hex Wrench**.



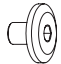
	PART/DESCRIPTION	QTY
	T1-HEX WRENCH	1
	H7-SCREW	3

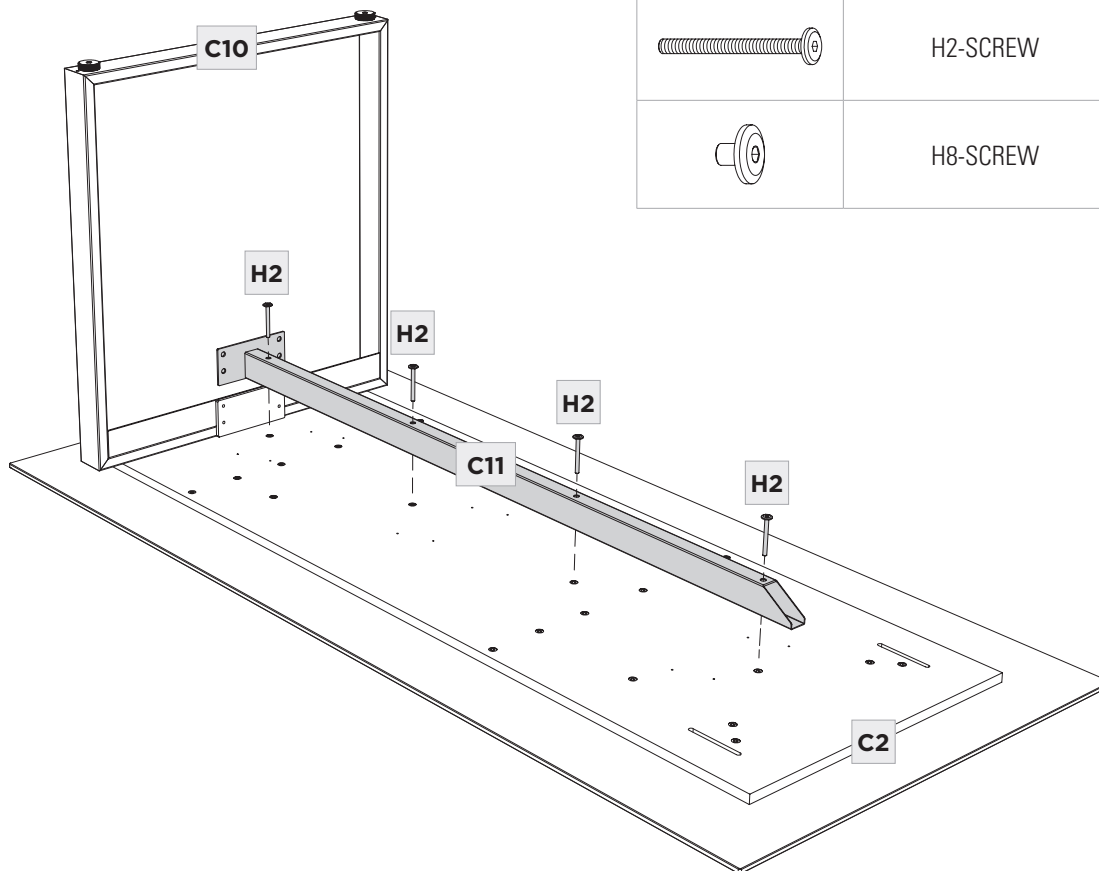


STEP 8. ATTACH DESK RAIL

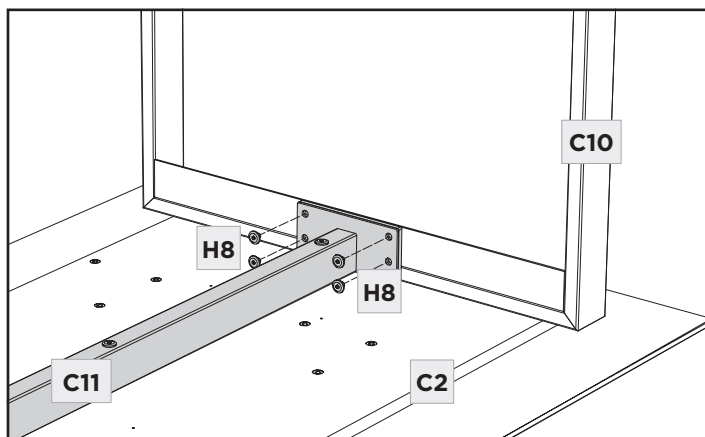
ASSEMBLY

Attach **(C11) Desk Rail** to the underside of the **(C2) Desktop Assembly** using **4 (H2) Screws**. Ensure the flat plate on the end is facing the **(C10) Desk Leg**. Partially tighten with **(T1) Hex Wrench**.



	PART/DESCRIPTION	QTY
	T1-HEX WRENCH	1
	H2-SCREW	4
	H8-SCREW	4



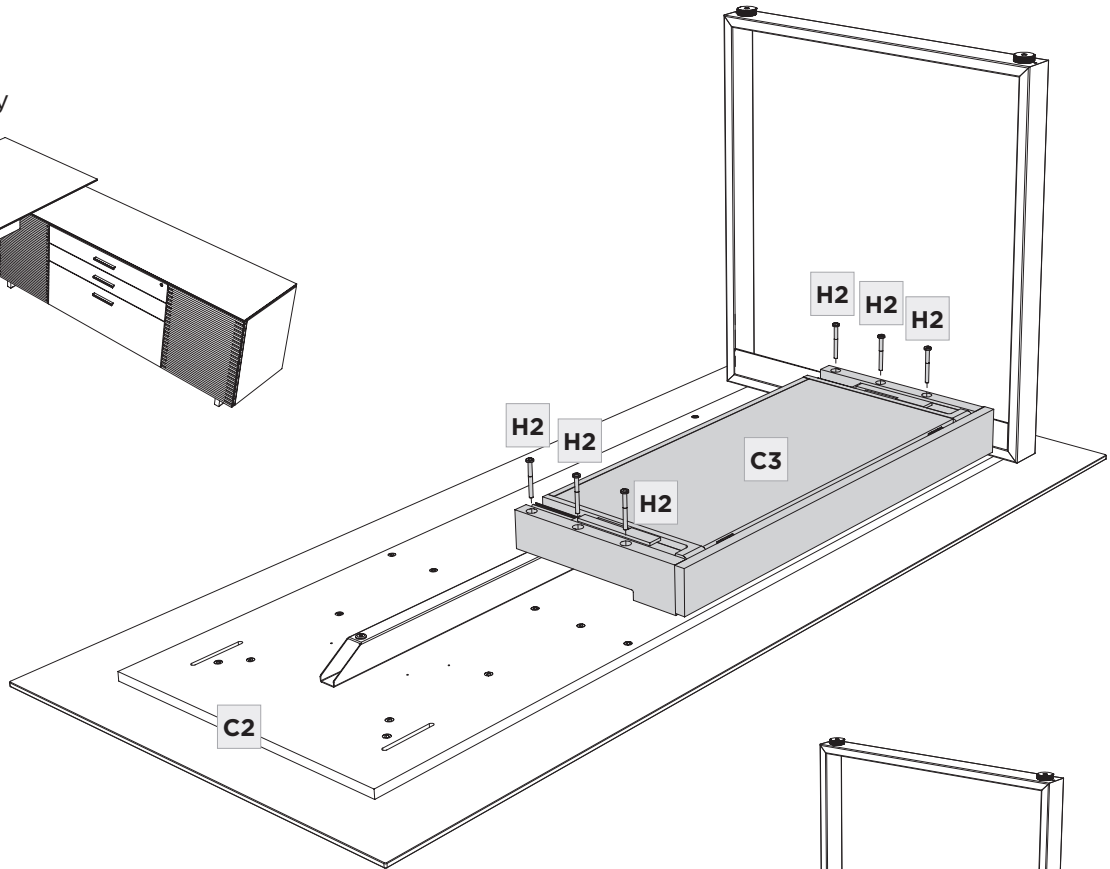
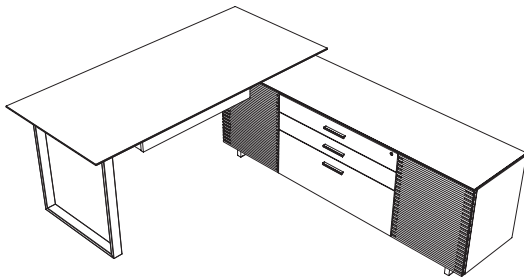
Using **4 (H8) Screws**, fasten the **(C11) Desk Rail** to the **(C10) Desk Leg**. Tighten all screws on the underside of the **(C2) Desktop** with the **(T1) Hex Wrench**.



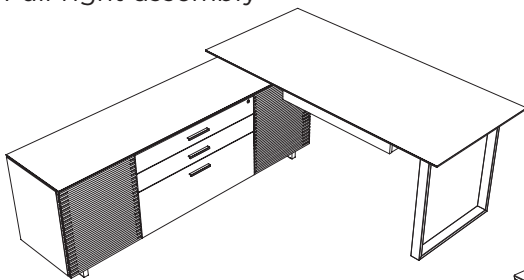
Place the **(C3) Keyboard Drawer** on the **(C2) Desktop** panel's appropriate position relative to where the desk will be mounted to the cabinet. The **(C3) Keyboard Drawer** should be facing the middle of the cabinet when the desk is mounted. Fasten the **(C3) Keyboard Drawer** to the **(C2) Desktop** with **6 (H2) Screws** using the **(T1) Hex Wrench**.

	PART/DESCRIPTION	QTY
	T1-HEX WRENCH	1
	H2-SCREW	6

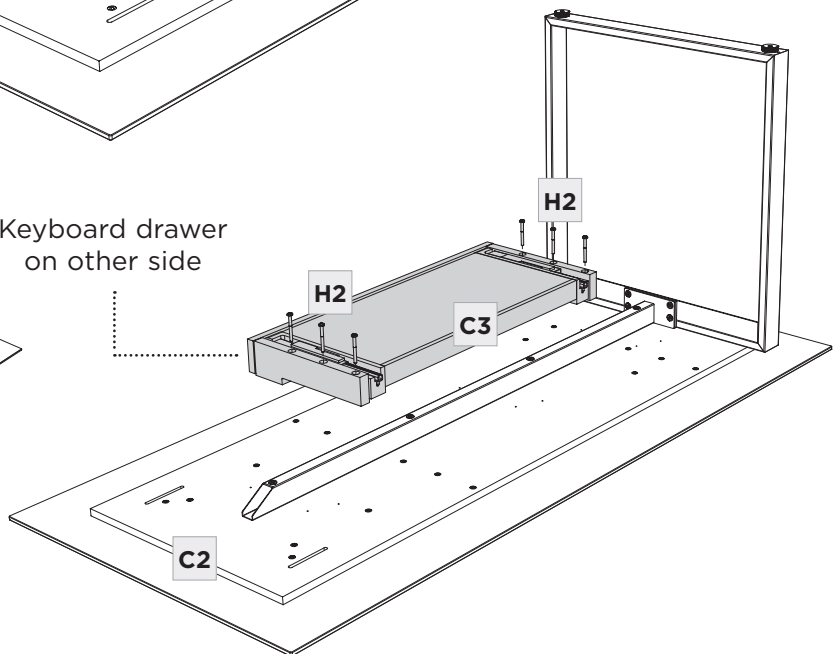
Full left assembly



Full right assembly



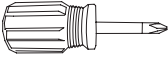
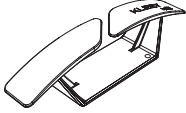
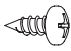
Keyboard drawer on other side

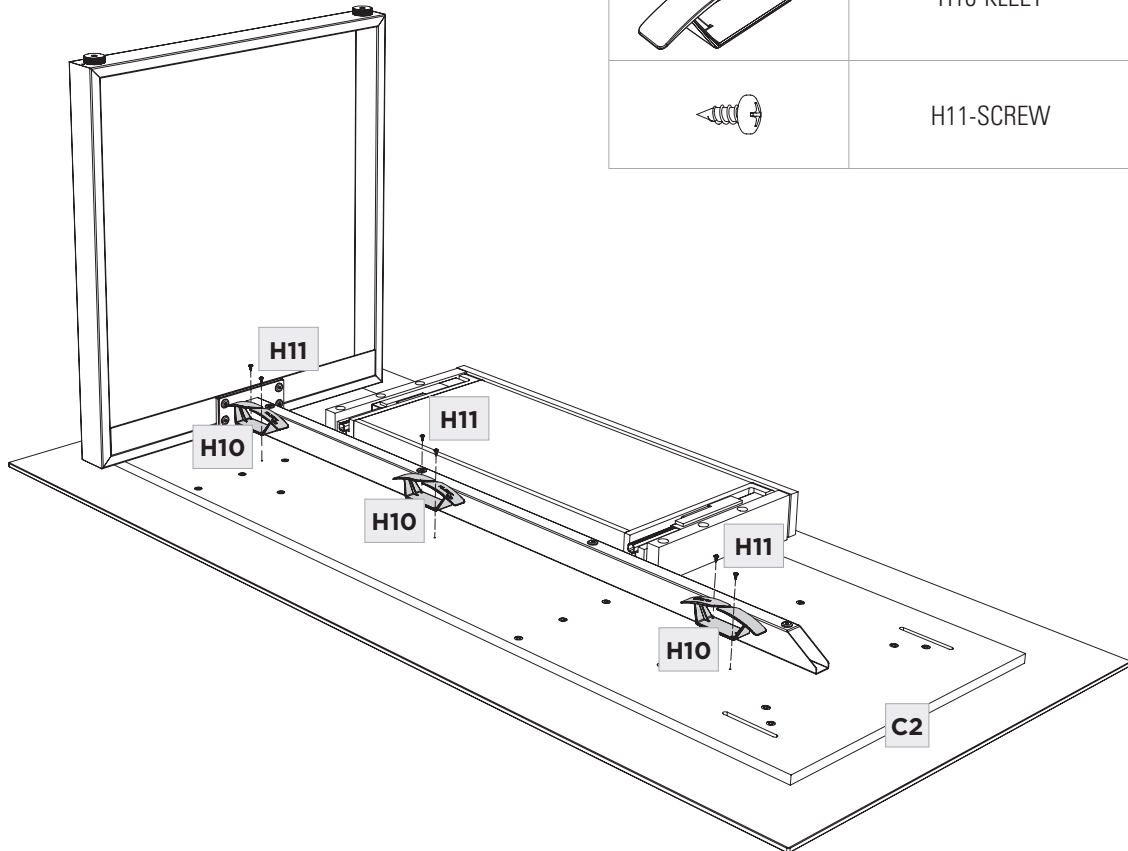


STEP 10. INSTALL KLEETS

ASSEMBLY

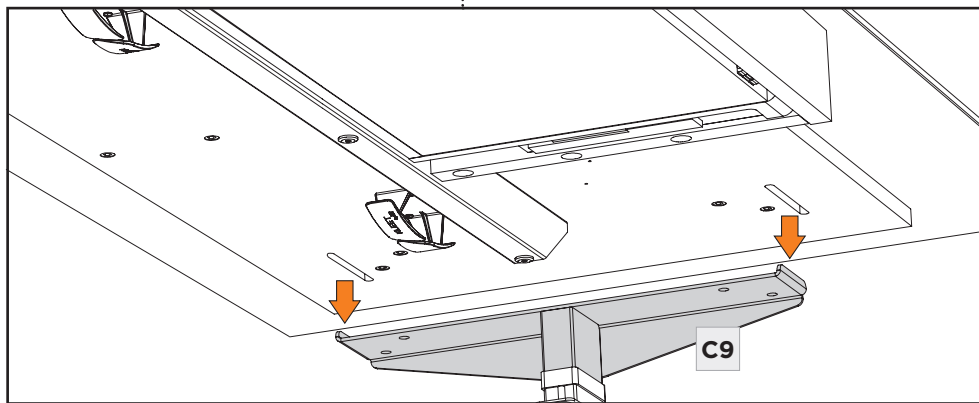
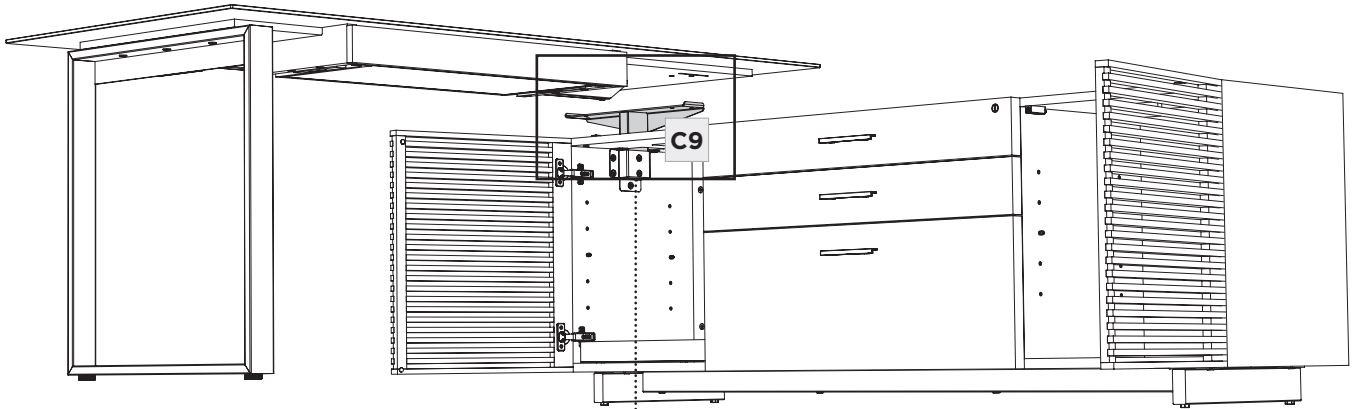
Install **(H10) Kleets** to the **(C2) Desktop** panel on the opposite side of the drawer using pre-drilled pilot holes in the desk's underside. Fasten using **6 (H11) Wood Screws** using the **(T2) Phillips Screwdriver**.

	PART/DESCRIPTION	QTY
	T2-PHILLIPS SCREWDRIVER	1
	H10-KLEET	3
	H11-SCREW	6



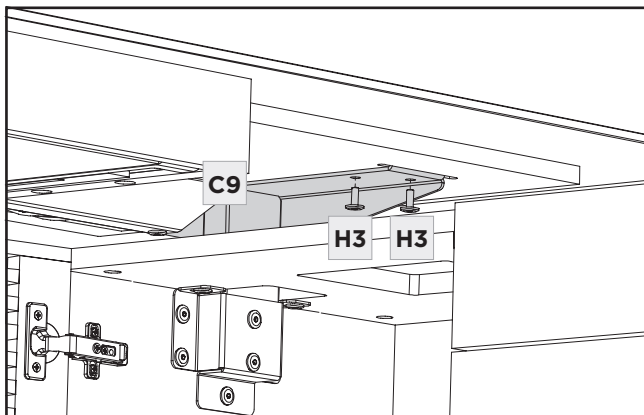


With the help of another person, carefully flip the desktop over and rest it on the **(C9) "T" Bracket**. The **(C9) "T" Bracket** should rest in grooves in the underside of the desktop.



Using **4 (H3) Screws**, fasten the desktop to the **(C9) "T" Bracket**. To gain easier access to these screws, open the cabinet door and reach through the top panel. Tighten the using **(T2) Hex Wrench**.

	PART/DESCRIPTION	QTY
	T2-HEX WRENCH	1
	H3-SCREW	4



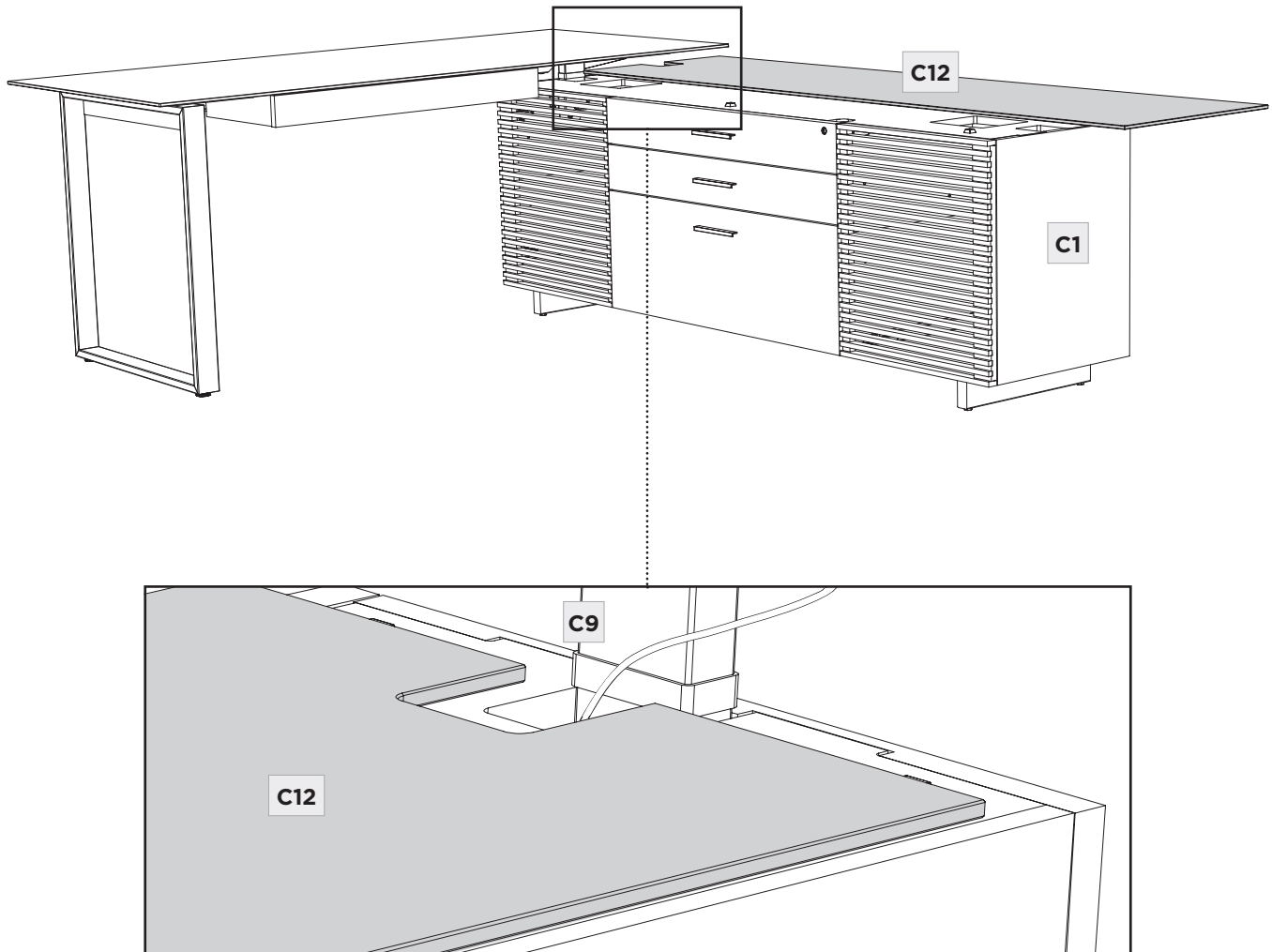
STEP 12. INSTALL GLASS TOP ON CABINET

2 PERSON TASK



ASSEMBLY

With the help of another person, carefully place the **(C12) Cabinet Glass** on the **(C1) Cabinet**, ensuring the glass's cutout is on the same side as the **(C9) "T" Bracket**.

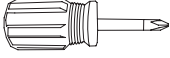



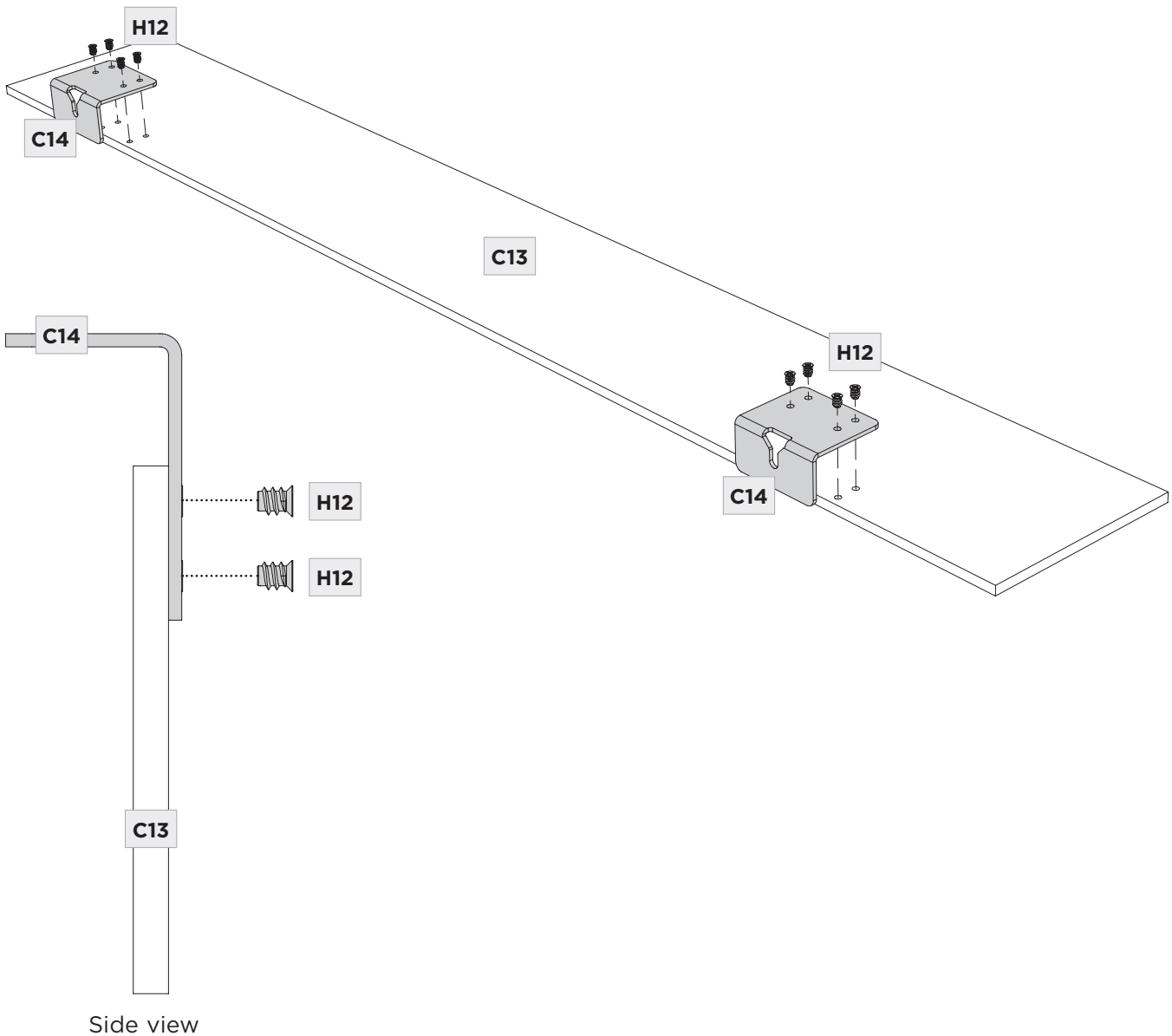
Note: Wires can be routed into the cabinet using the hole located near the **(C9) T-Bracket**. Route wires as needed, then place **(C12) Cabinet Glass** and align flush to cabinet.

NOTE: Do not use a power drill.

Do not over tighten screws; otherwise they will strip.

Fasten the **(C14) Modesty Panel Brackets** to the **(C13) Modesty Panel** as shown with the bracket return over the top of the panel. Use **8 (H12) Wood Screws** going into the 8 pilot holes located near the inside top edge of the panel. Tighten with a **(T2) Phillips Screwdriver**.


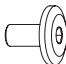
	PART/DESCRIPTION	QTY
	T2-PHILLIPS SCREWDRIVER	1
	H12-SCREW	8

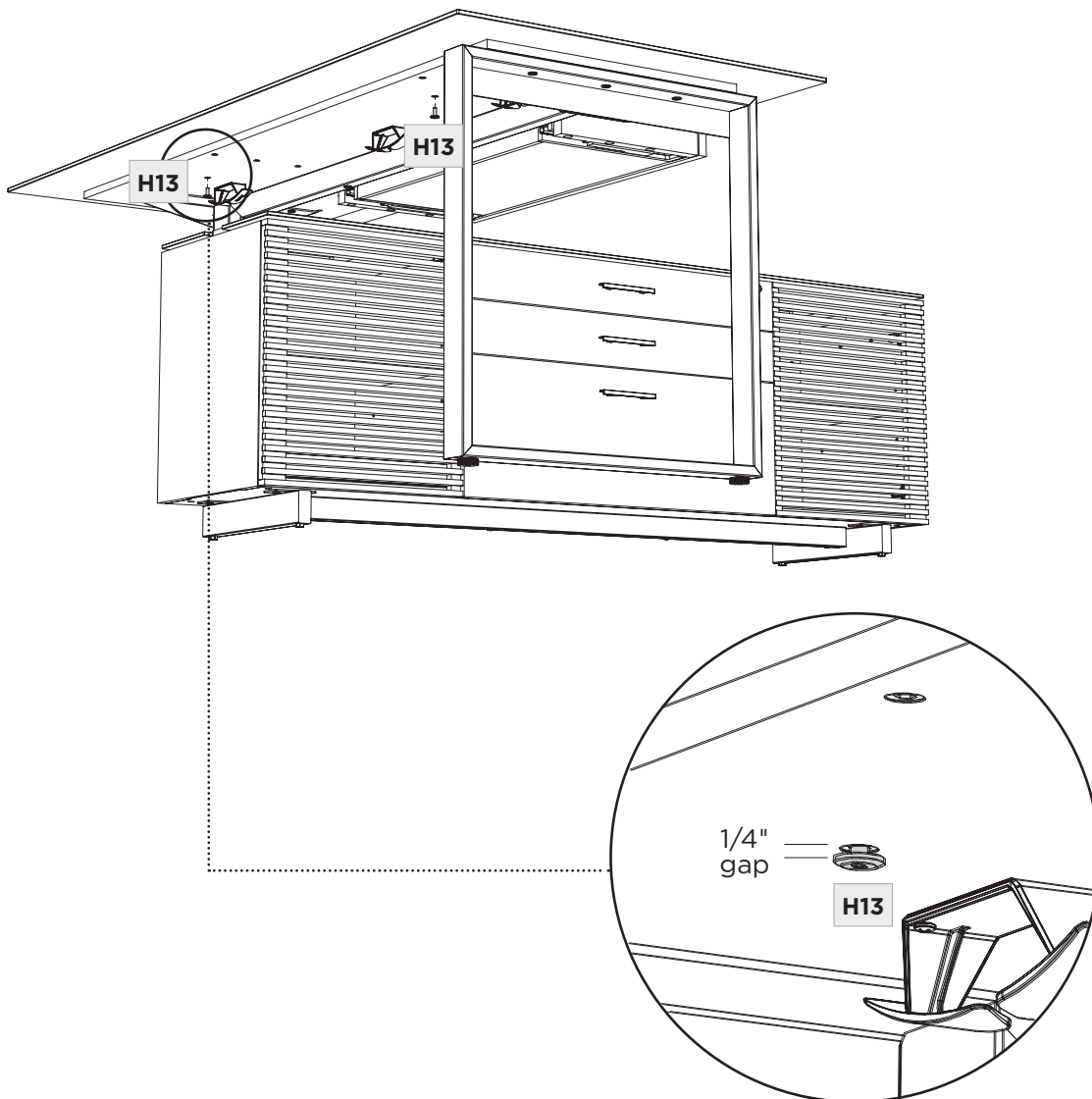


STEP 14. INSTALL MODESTY PANEL

ASSEMBLY

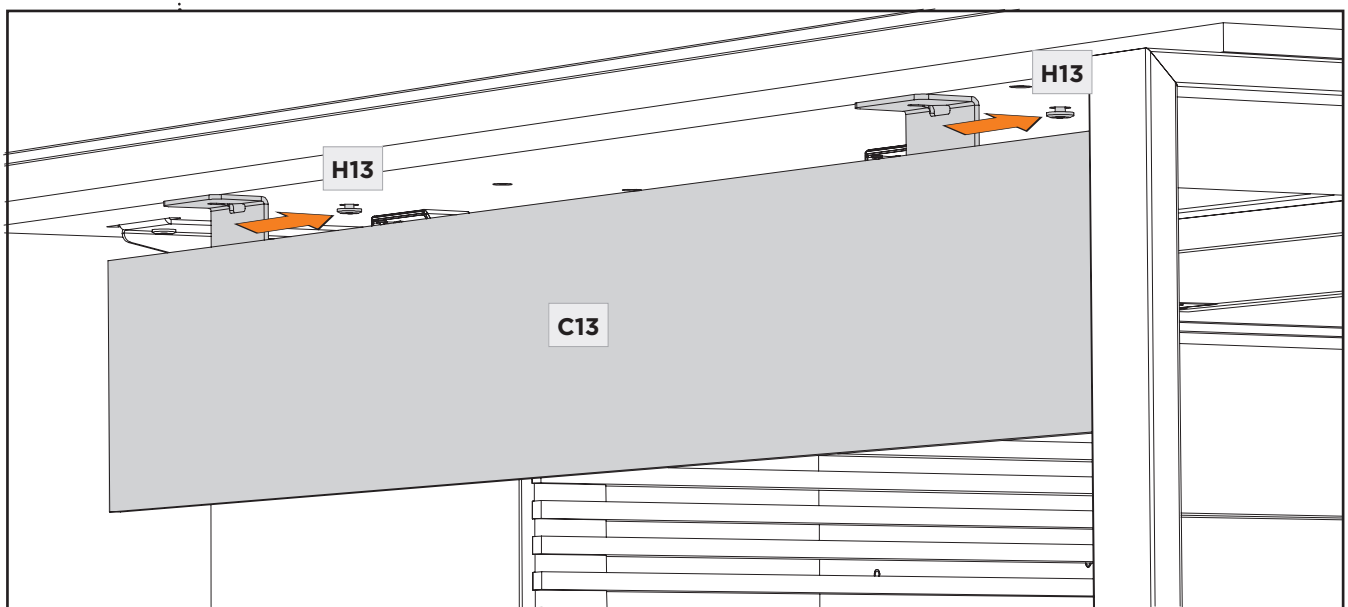
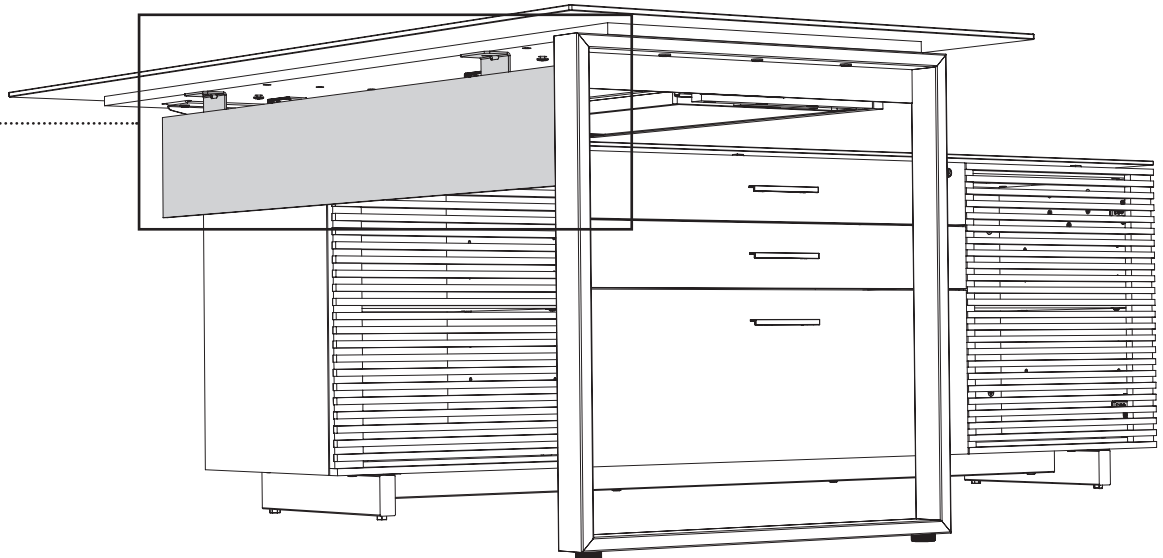
Partially insert **2 (H13) Screws** into the threaded holes in the bottom of the desktop.

	PART/DESCRIPTION	QTY
	T1-HEX WRENCH	1
	H13-SCREW	2

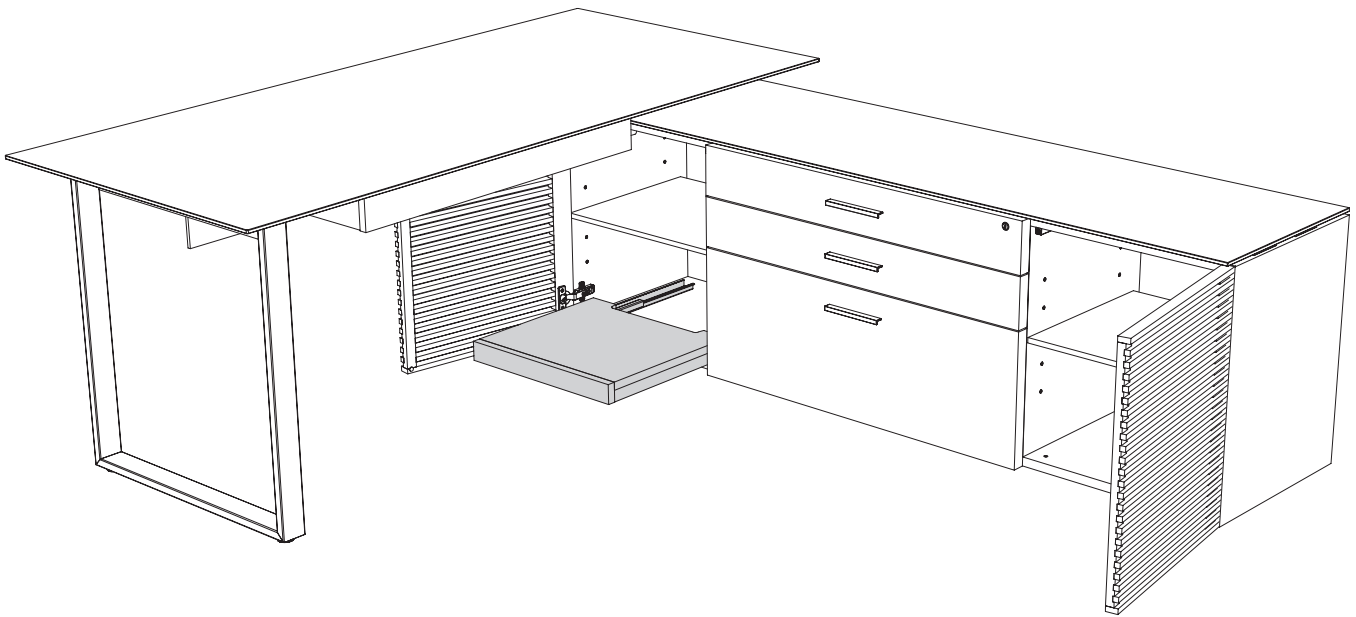


Hook the **(C13) Modesty Panel** onto the **(H13) Screws** and slide towards the center of the desk, then tighten the **(H13) Screws** with the **(T1) Hex Wrench** provided.

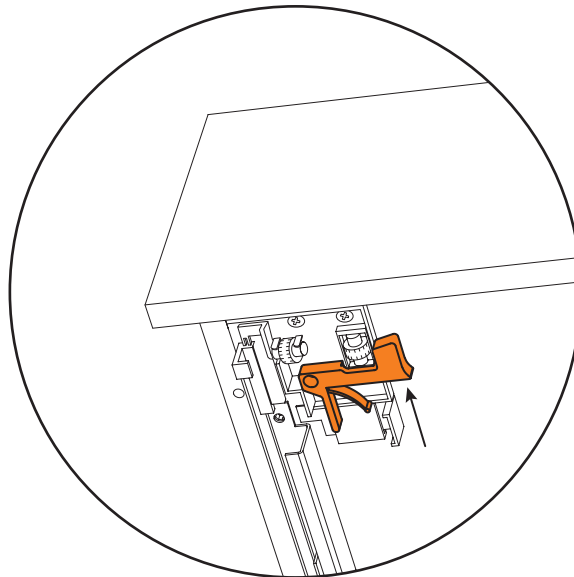
	PART/DESCRIPTION	QTY
	T1-HEX WRENCH	1



The pullout printer tray can be positioned on the right or left side of the cabinet. If you wish to reposition the printer tray, first open the cabinet door and put the printer tray in the extended position. Find the slide adjustment mechanism under the printer tray. Remove the printer tray by pressing the orange release lever on both slides simultaneously, then carefully lift the tray up and away from cabinet.

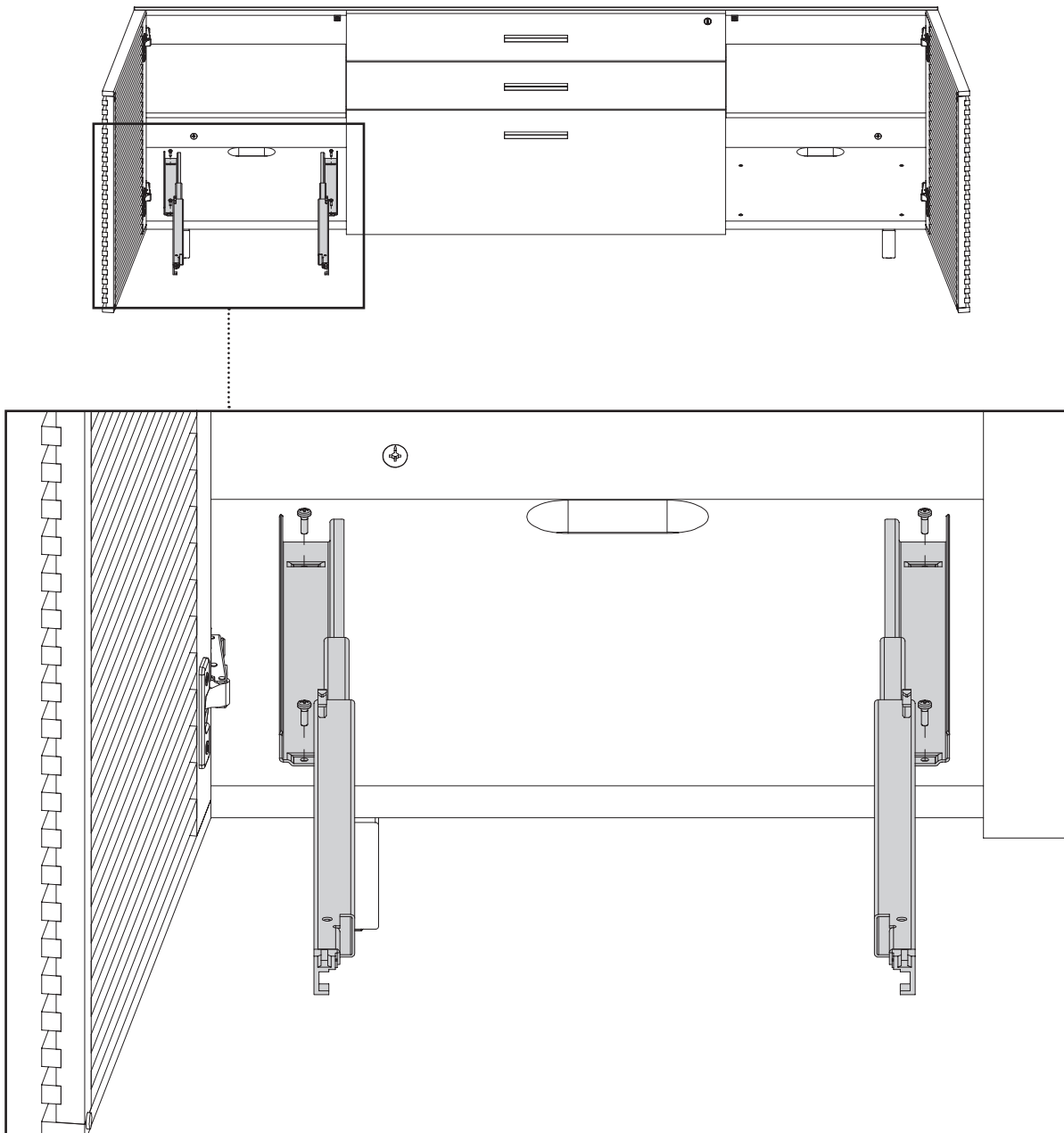


Tray Removal: Depress Orange Release Lever on both mechanisms simultaneously, then carefully lift printer tray up and away from cabinet.



Using the **(T2) Phillips Screwdriver**, remove the 2 Screws holding each slide to the cabinet's bottom panel.

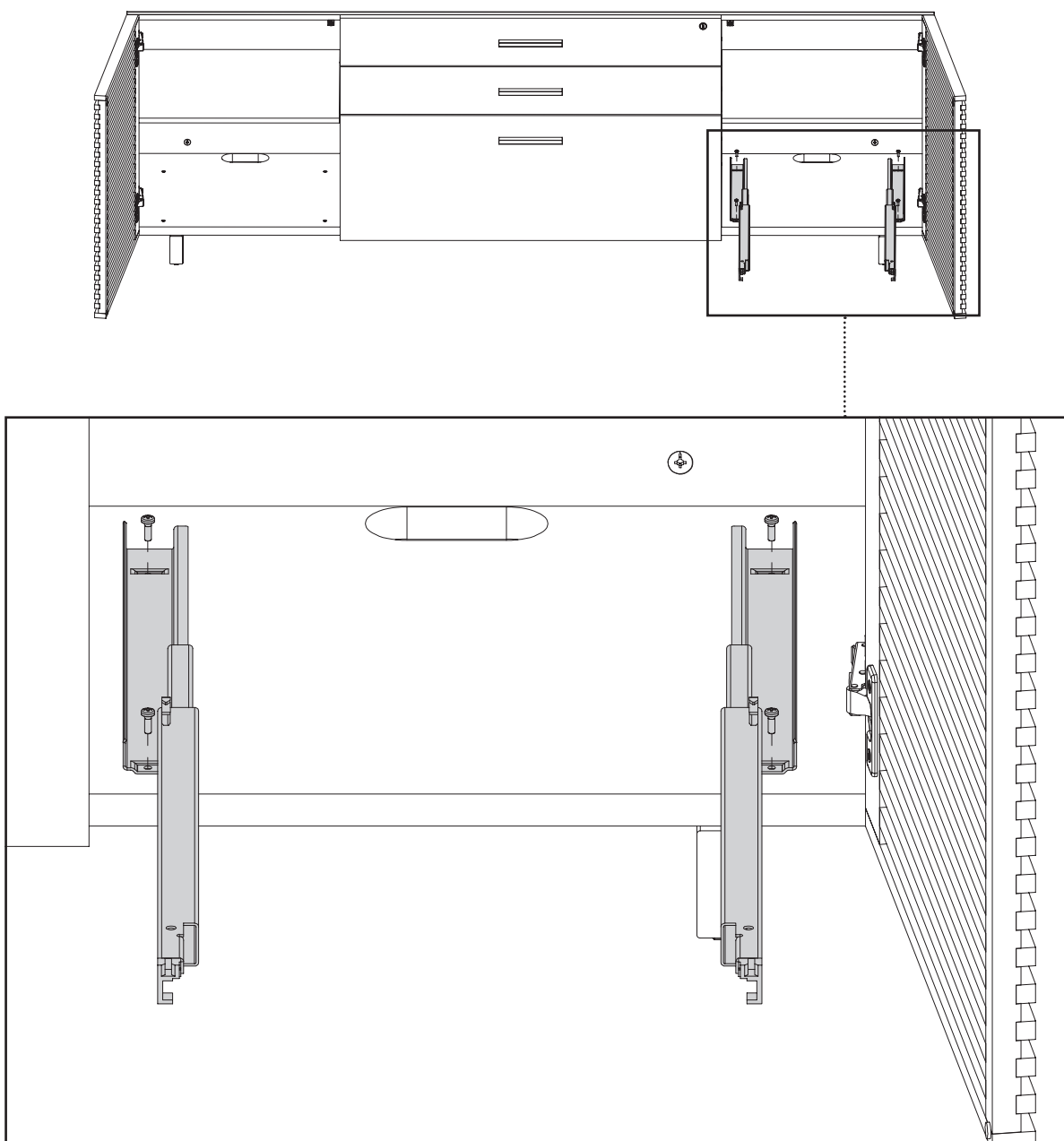
	PART/DESCRIPTION	QTY
	T2-PHILLIPS SCREWDRIVER	1



Being careful to maintain the original orientation of the drawer slides, move the slides into the other cavity. Using the **(T2) Phillips Screwdriver**, insert the screws into the threaded inserts in the cabinet's bottom panel.

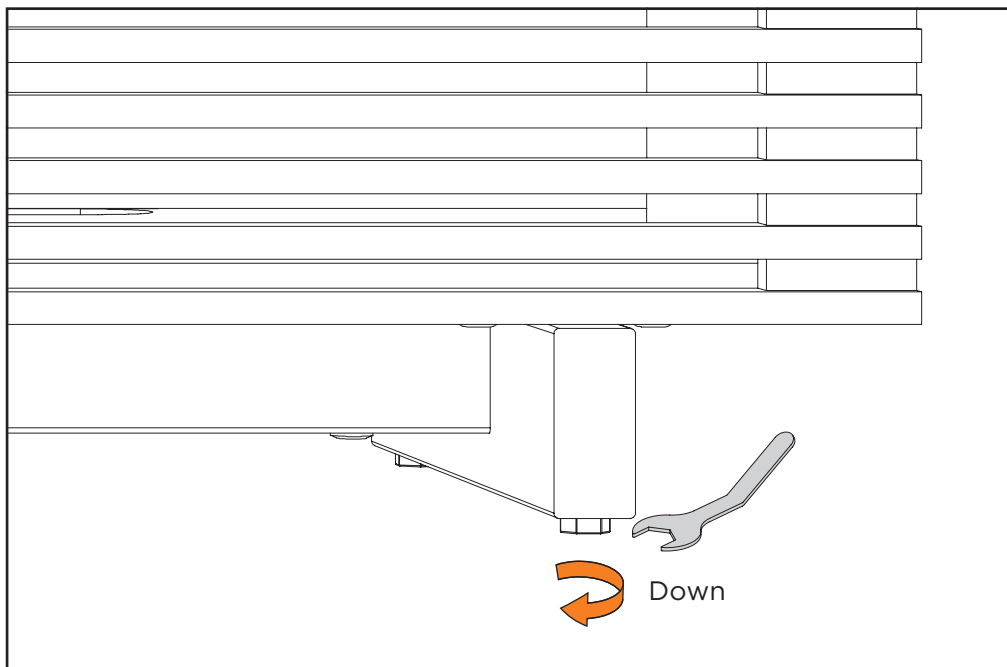
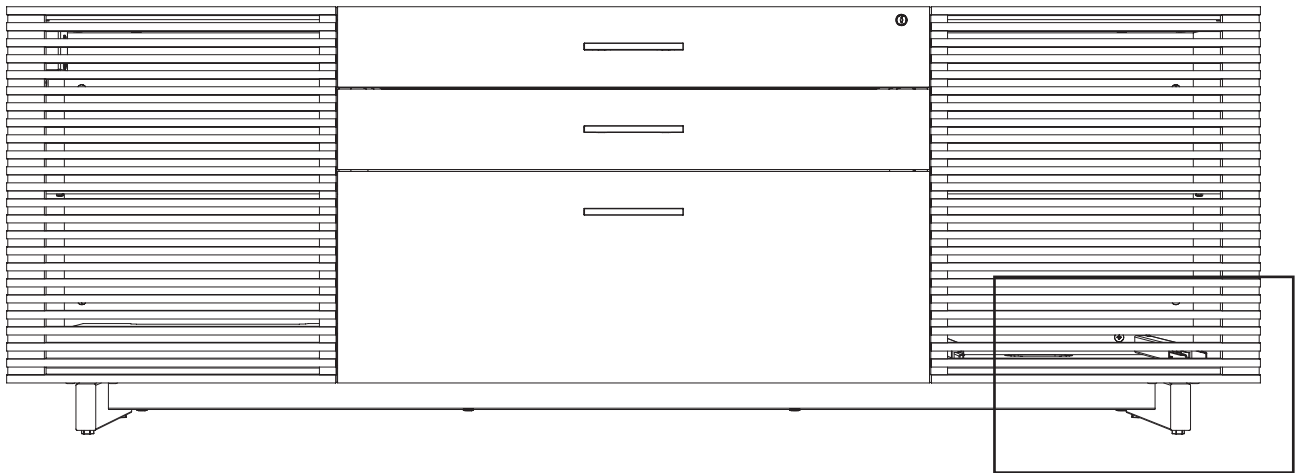
	PART/DESCRIPTION	QTY
	T2-PHILLIPS SCREWDRIVER	1

To reattach the printer tray, place the printer tray directly on top of the metal tray slides and slide in until it “snaps” back on.

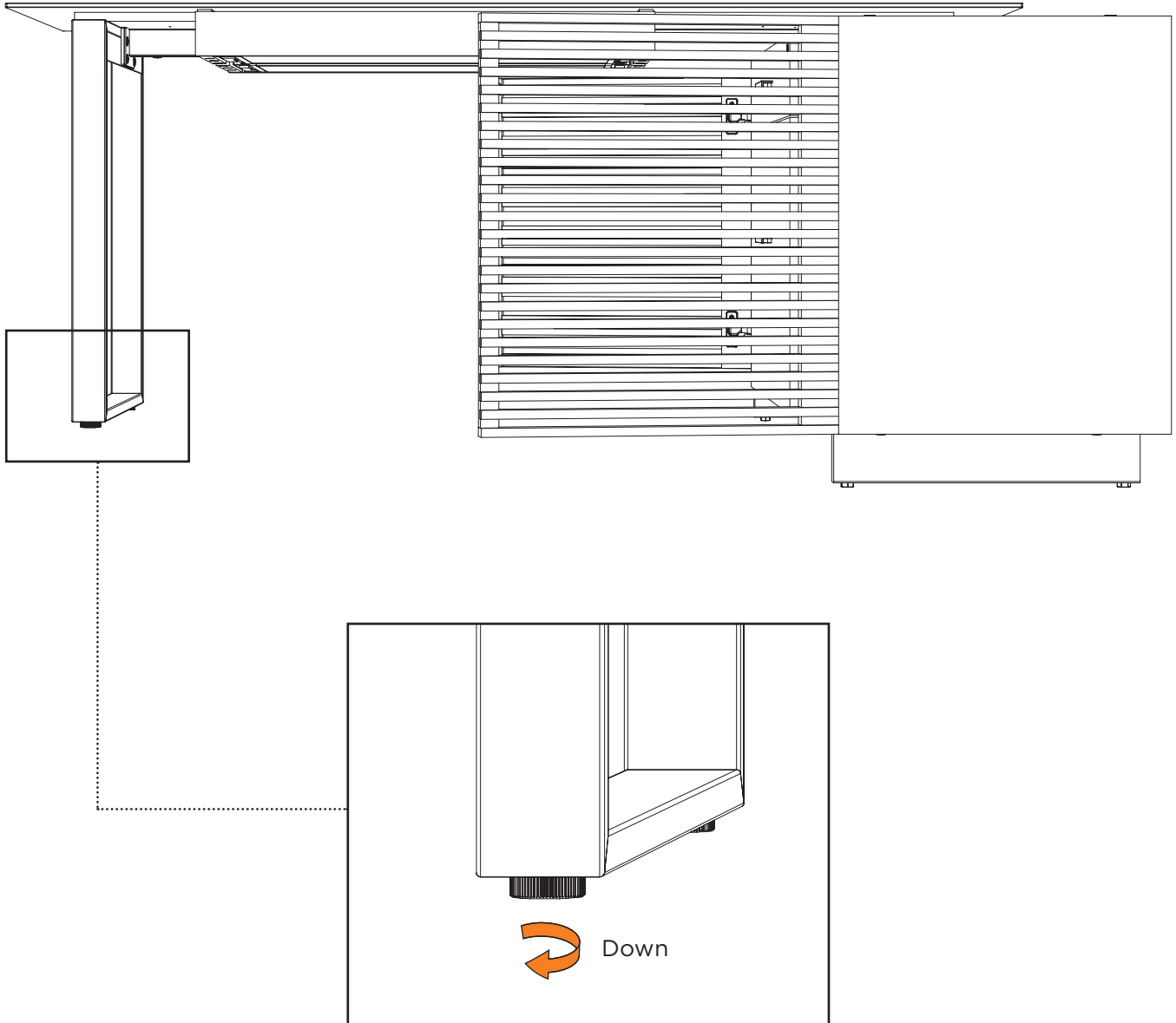


Make sure cabinet is level. Adjust one or more of the levelers using **(T3) Leveler Wrench** to attain a level stance.

	PART/DESCRIPTION	QTY
	T3-LEVELER WRENCH	1



Dial down a leveler (by hand) until you attain a level stance.

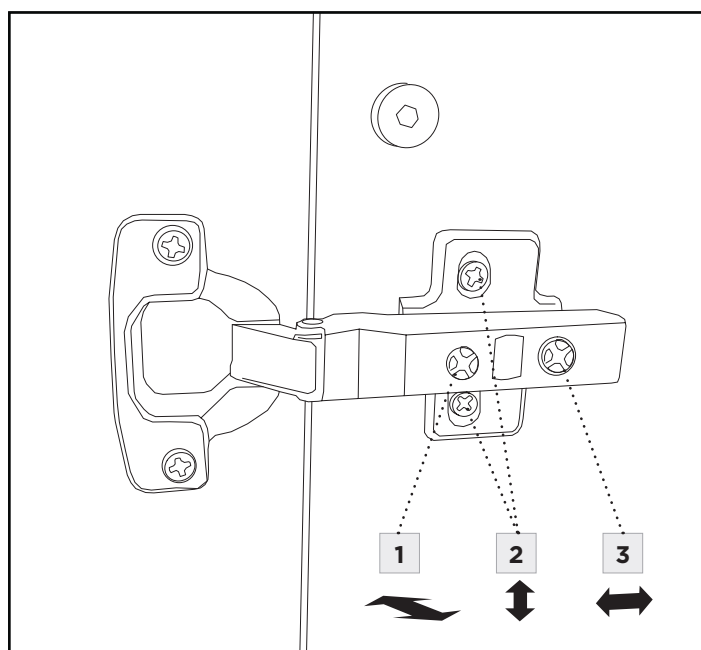


The doors on your cabinet should be evenly spaced and the doors should open and close freely without rubbing against the door frame. If the cabinet's doors appear out of alignment, this condition can be corrected with minor adjustment to the European hinges on each door. Because these hinges are adjustable, adjusting one hinge can sometimes cause the need for adjustments to other hinges. But with a few adjustments, you can modify the orientation of the cabinet doors to make sure that they hang perfectly within your cabinet.

	PART/DESCRIPTION	QTY
	T1-PHILLIPS SCREWDRIVER	1

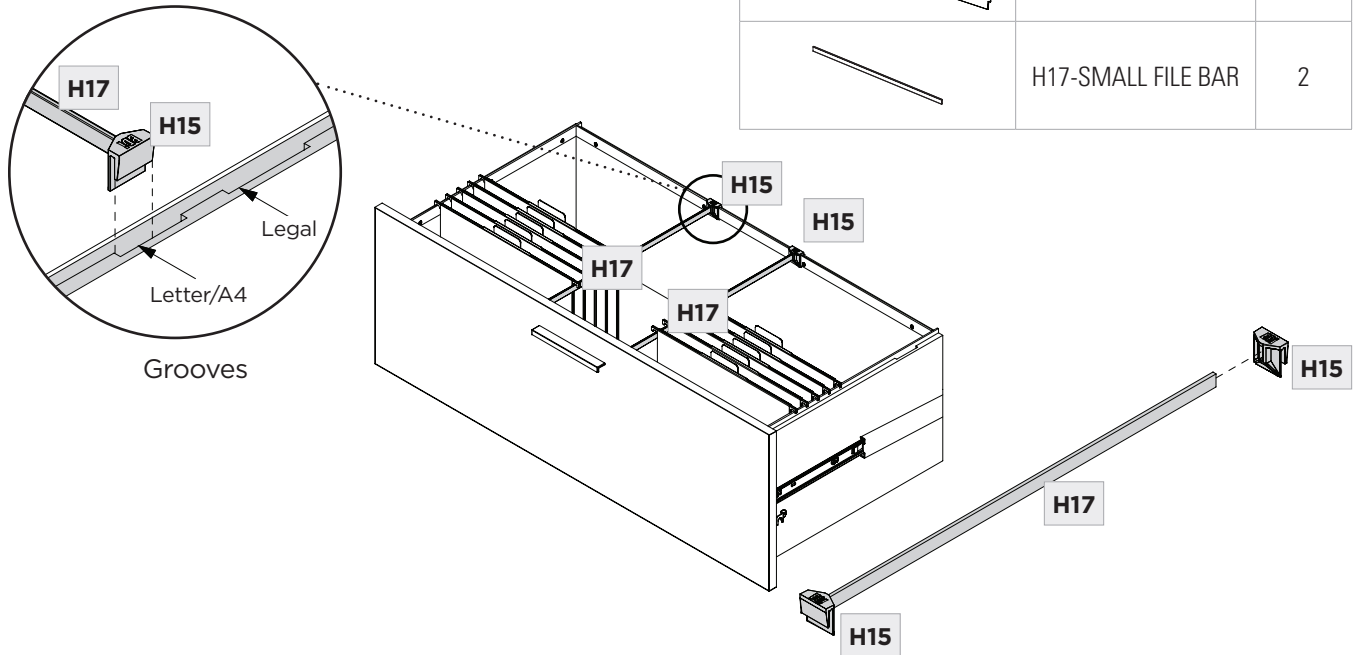
Use a **(T1) Phillips Screwdriver** to adjust the door hinges:

- By adjusting **Screw 1**, the door will move LEFT or RIGHT within the frame. Make minor adjustments at both top and bottom hinges for best results.
- By loosening both **Screws 2** on both hinges, the door can move UP or DOWN. Retighten the screws.
- By adjusting **Screw 3** the entire door will move IN or OUT, opening or closing the gap between the door frame and cabinet. (This screw rarely needs adjustment.)

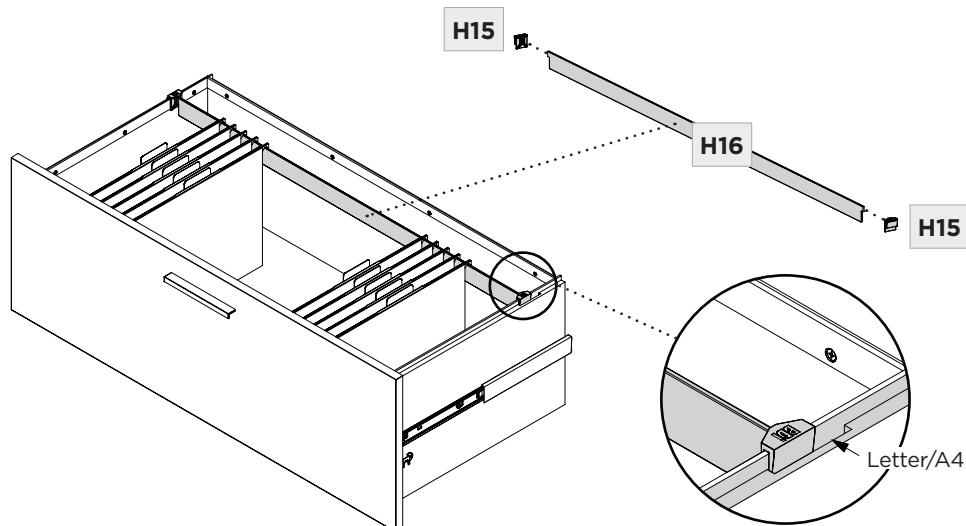


For forward facing files, attach **(H15) File Bar Clips** to each end of the **(H17) Small File Bars**. Slide the bars onto the rails so that the **(H15) File Bar Clip** goes into the **groove**.

For **sideways** facing files, **see below**.



For letter files facing sideways, attach **(H15) File Bar Clip** to both ends of **(H16) Large File Bar** as shown. Place the file bar assembly in the notches located on the left and right drawer side panels. For side facing **legal files**, skip this step altogether and hang file folders directly on front and back rails.



CARE & MAINTENANCE

GLASS

Glass surface is maintained using household glass cleaner and a paper towel or cloth.

SATIN-ETCHED GLASS

This uniquely smooth-to-the-touch glass surface can be regularly maintained using household glass cleaner and a paper towel or cloth. Minor scratches or scuffs not eliminated using paper towel or cloth can usually be removed by using a 'Magic Eraser'. Magic Eraser is a melamine foam product available at any grocery store or home improvement center. Dampen the entire glass surface as well as the Magic Eraser, then rub the entire glass surface in broad, even strokes using moderate pressure. Clean and dry the surface with a paper towel. Check for results and repeat as necessary.

Any scratches or scuffing not eliminated by one of the above methods can often be addressed by 'refreshing' the glass. This is a process that should not be required more than once per 6-12 months. See this brief video for the simple method: www.bdiusa.com/glass

WOOD

Wood surfaces should be cleaned with a slightly damp (not saturated) cloth or paper towel. Do not use glass cleaner on wood. If moisture remains, dry the surface with another cloth. If needed, a gentle non-abrasive cleanser may be used, but be sure to wipe away all cleaner residue and dry the surface with a cloth.

BDI's wood finishes feature natural hardwood solids and veneers. Wood is a product of nature and—unlike man-made materials that can be manufactured to strict and consistent specifications—has natural imperfections that are part of its appeal and character. Every piece of wood differs from every other, even when coming from the very same tree. As such, variation in grain, texture and tone should be expected from one panel or piece of furniture to the next.

While BDI's stained wood finishes are stable in tone & appearance, all finishes are subject to some degree of discoloration with prolonged exposure to direct sunlight. Please take care to avoid positioning your BDI cabinet in any area with extensive direct sunlight. To learn more about the features of natural wood, visit www.bdiusa.com/wood

METAL & PAINTED SURFACES

Surfaces should be cleaned with a slightly damp (not saturated) cloth or paper towel. If moisture remains, dry the surface with another cloth. If needed, a gentle non-abrasive cleanser may be used, but be sure to wipe away all cleaner residue and dry the surface with a cloth.

WARRANTY

BDI warrants to the original purchaser that for the below stated warranty term, BDI will repair or replace any product, part, or component covered by this warranty which fails under normal use as a result of a defect in material or workmanship. BDI will repair or replace the aforementioned product, part or component with a comparable product, part or component. The decision to repair or replace will be at BDI's sole discretion.

BDI Home Theater Furniture, Office Furniture, Modular Systems, Tables and other furniture pieces are warranted for three (3) years from the date of purchase as shown on your sales receipt. The warranty period starts from the date of purchase. This warranty extends only to the original purchasers who acquire new product from BDI Authorized Resellers. Any product, part, or component must have been assembled, installed, used, and maintained according to BDI's published instructions in order to be eligible for warranty coverage. Any modification to the original product voids the warranty.

To view BDI's complete warranty information, visit www.bdiusa.com/warranty

PRODUCT REGISTRATION

Registering your new BDI product allows us to send you important product updates, service information and helpful hints related to your BDI products. Register today, and you will be entered to win free a BINK table from BDI: www.bdiusa.com/register



WARNING

SERIOUS OR FATAL CRUSHING INJURIES CAN OCCUR FROM FURNITURE TIP-OVER. TO HELP PREVENT TIP-OVER:

- **DO NOT** allow children to hang on the open doors
- **DO NOT** allow children to climb on the cabinets
- **ALWAYS** attach your Linea shelving to a wall
- **FAILURE** to secure your Linea shelving to a wall can lead to SERIOUS INJURY OR DEATH

USE OF TIP-OVER RESTRAINT MAY REDUCE—BUT NOT ELIMINATE—THE RISK OF TIP-OVER.



BDIUSA.COM

These distinctive product configurations are protected by US and international patents, trade dress, and/or copyright laws. Corridor & BDI are trademarks of Becker Designed, Inc. All rights reserved. ©2022, BDI | V.02.15.2022

Made in China and Turkey.