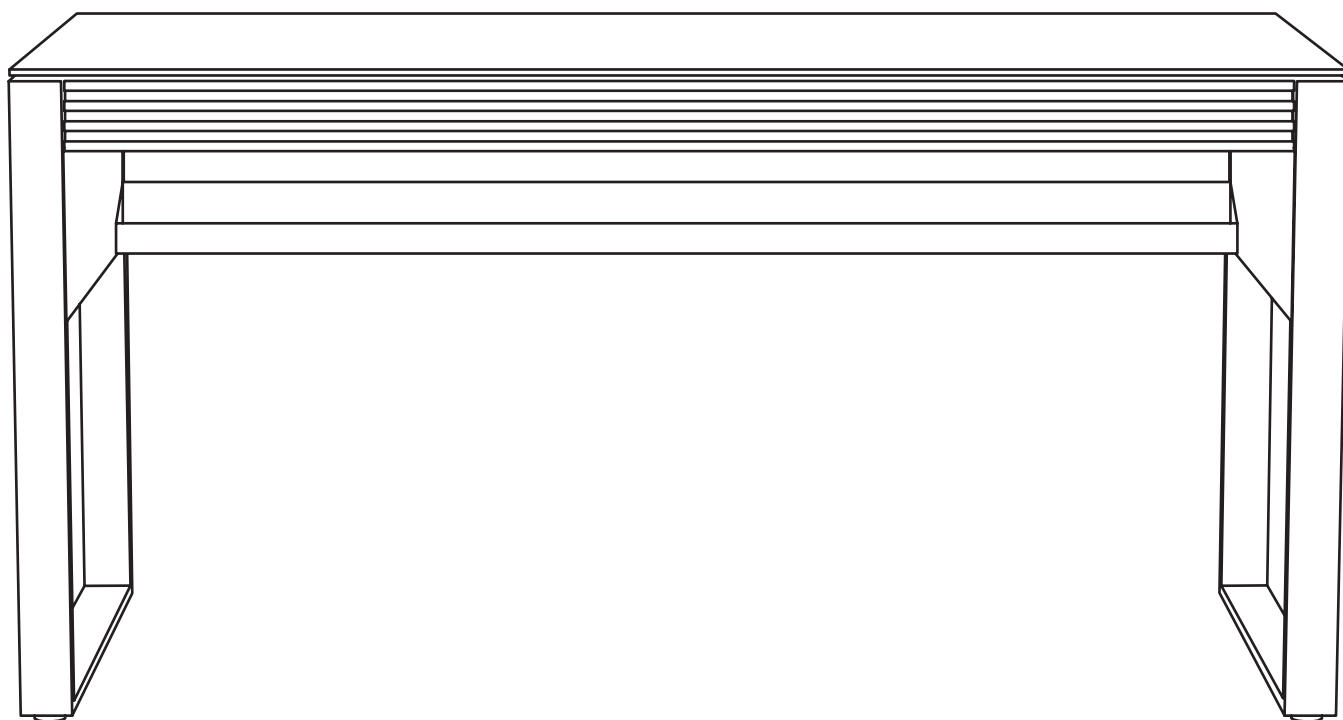


# CORRIDOR<sup>®</sup> 6501

DESK

## INSTRUCTION MANUAL

**LET'S GET STARTED.**



DESIGN MATTHEW WEATHERLY

**BDi**

BDIUSA.COM



Congratulations on the purchase of your Corridor Desk from BDI. Your desk has been designed to provide a lifetime of enjoyment. This manual will provide assembly instructions and other helpful information to ensure you get the most out of your product. Please save it for future reference.

Your Corridor Desk has been engineered for simple assembly. Please follow these directions carefully to prevent any damage.

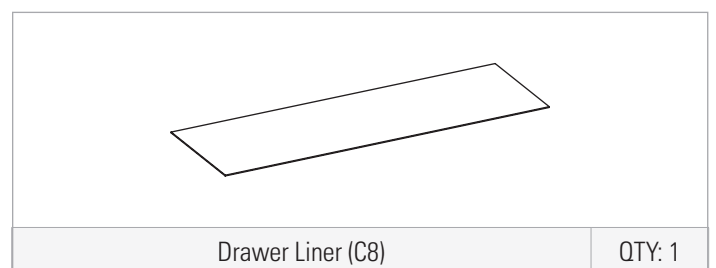
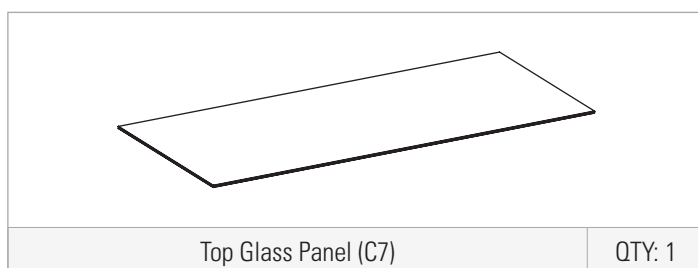
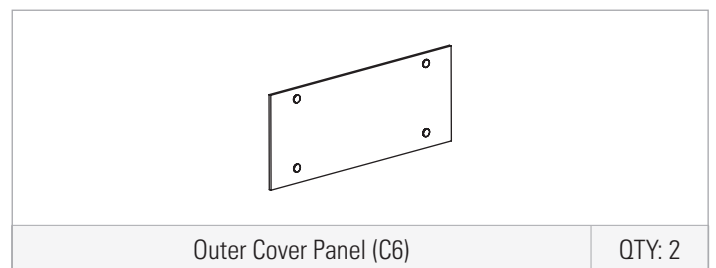
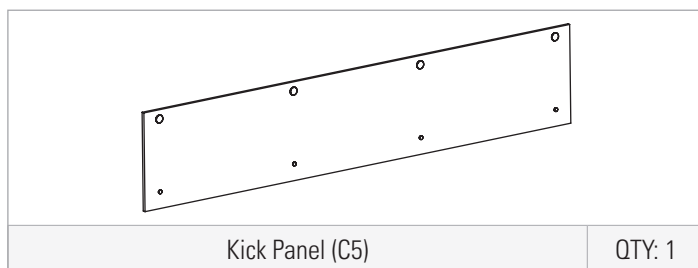
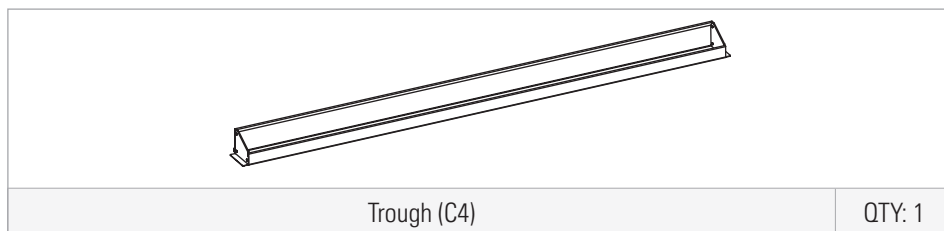
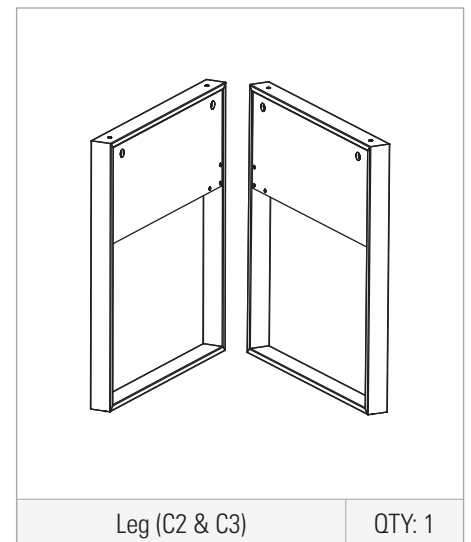
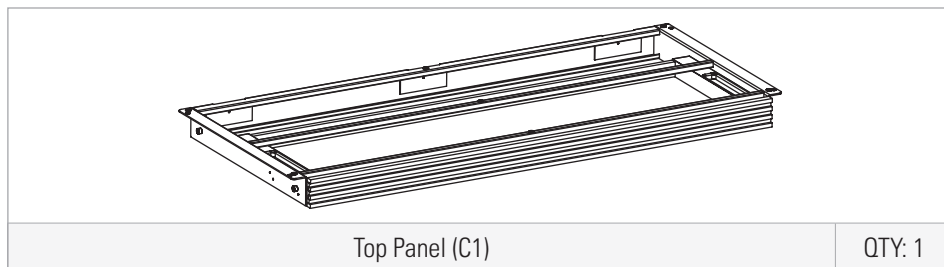
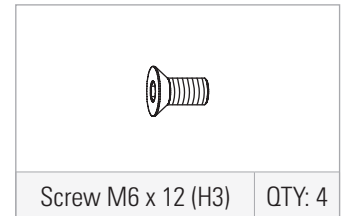
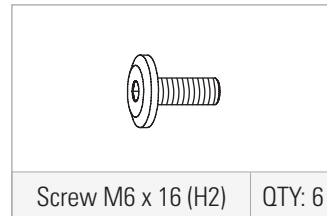
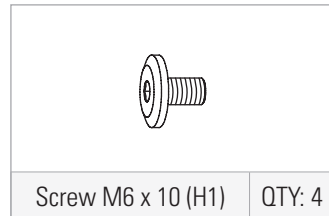
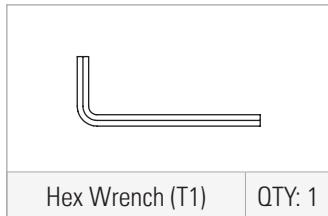
Should you need further assistance, contact BDI at [customerservice@bdiusa.com](mailto:customerservice@bdiusa.com).

ENJOY!

## HARDWARE AND COMPONENTS

Unpack and identify the parts listed below. The assembly workspace should be a non-marring surface, such as carpet. For missing hardware pieces, please contact BDI Customer Service at [customerservice@bdiusa.com](mailto:customerservice@bdiusa.com). For all other concerns, please contact your BDI retailer.



Do not use power tools for the assembly of this product.

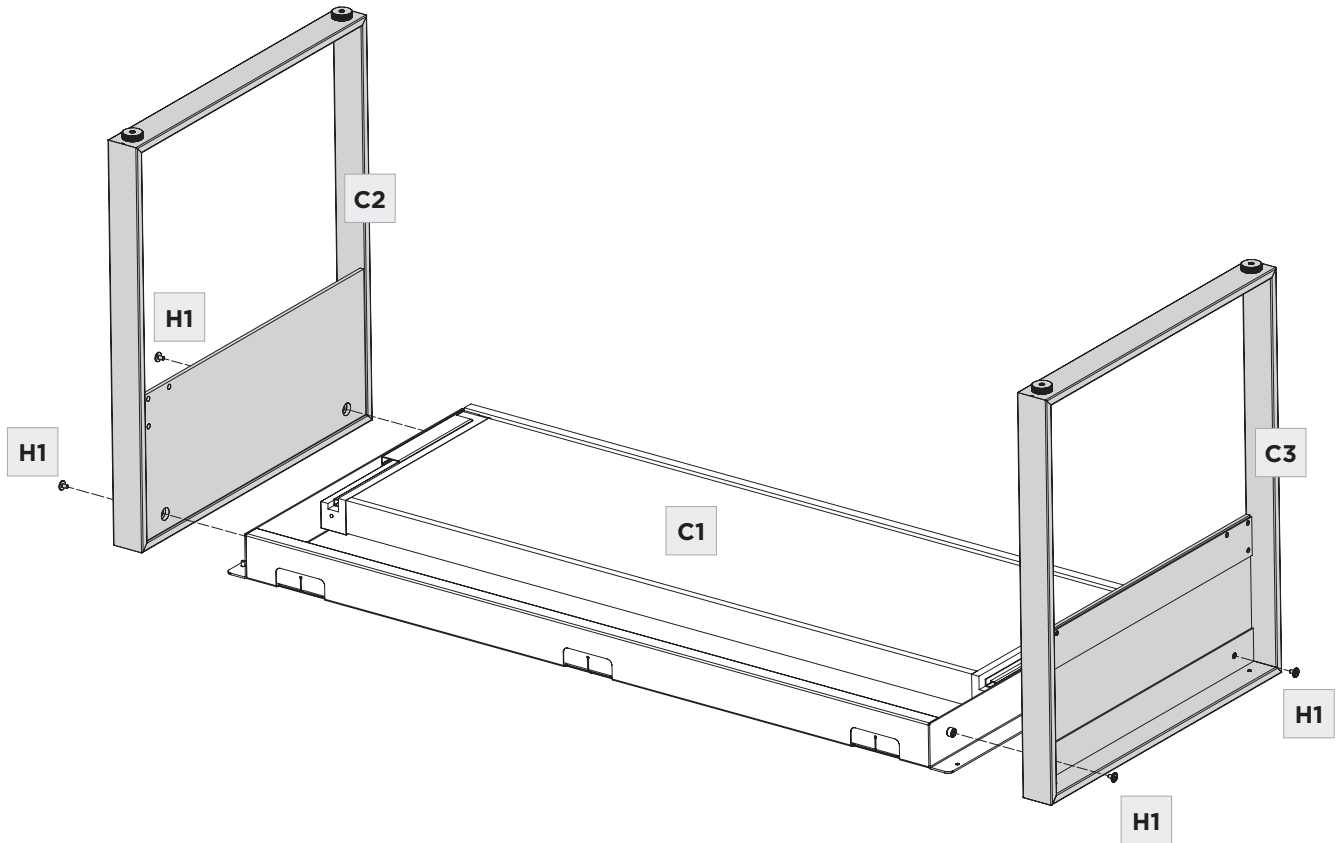


## STEP 1. ATTACH LEGS TO TOP PANEL

## ASSEMBLY

Carefully lay the **Top Panel (C1)** upside down on a soft, non-marring surface like carpet. Attach the **Left and Right Legs (C2 and C3)** to the **Top Panel (C1)** using **4 Screws (H1)**. Tighten with **Hex Wrench (T1)**.


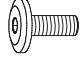
	HEX WRENCH – T1	QTY 1
	SCREW – H1	QTY 8

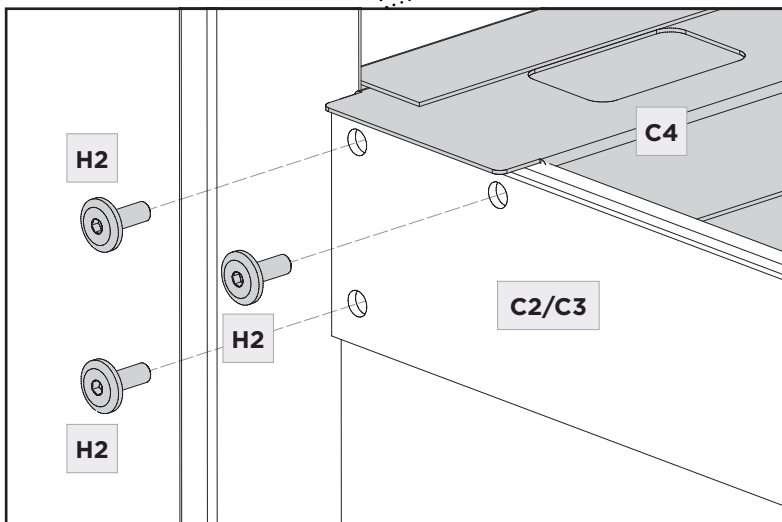
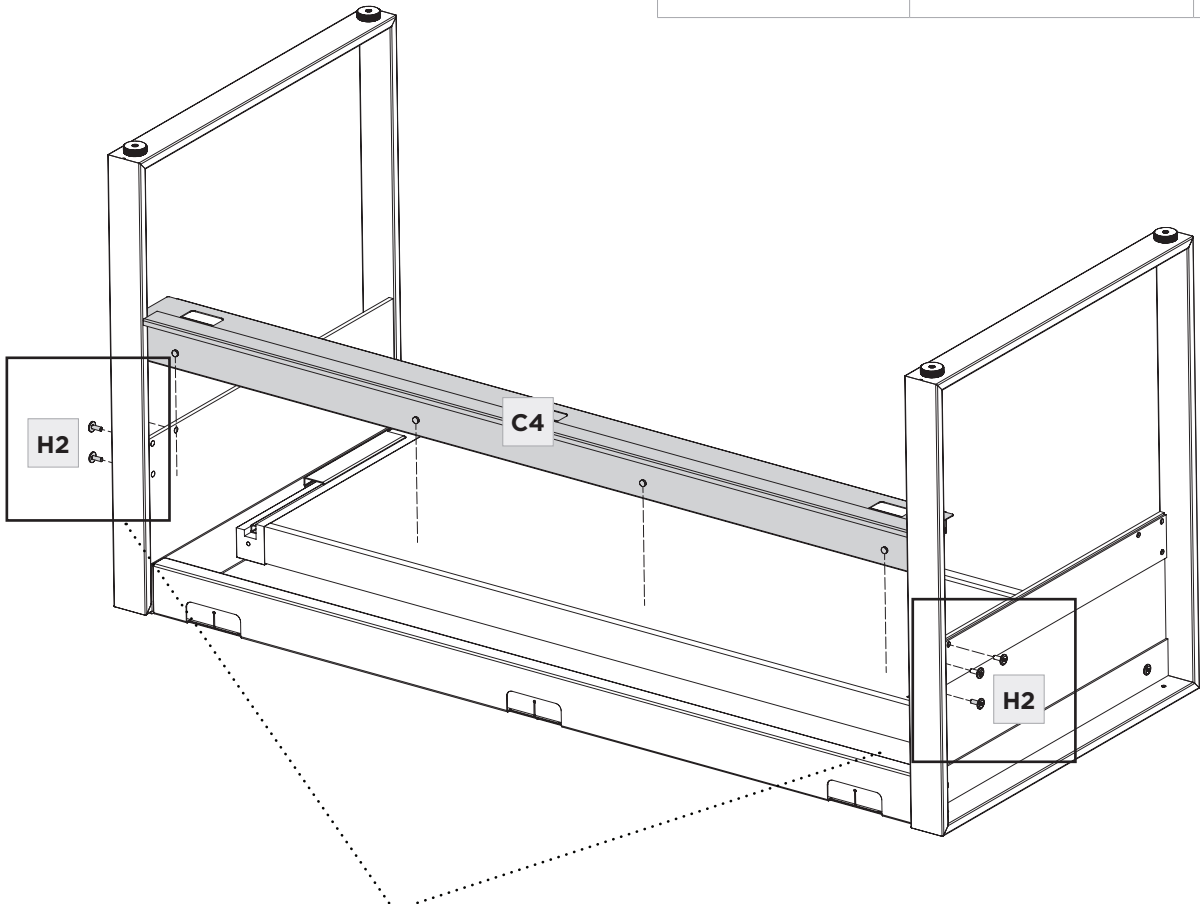


# ASSEMBLY

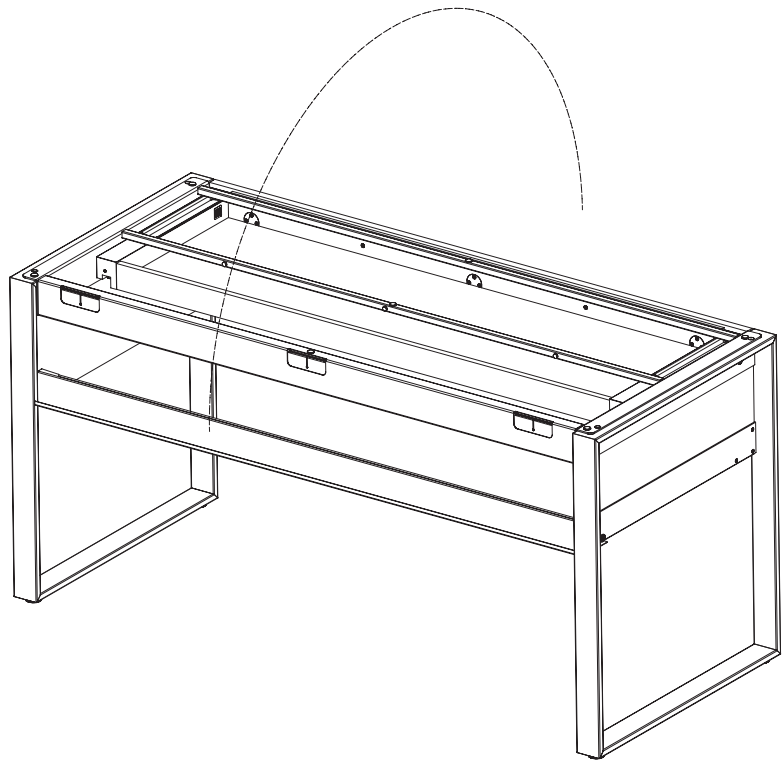
## STEP 2. INSTALL TROUGH

Position the **Trough (C4)** so the side flanges rest on the edge of leg side panels. Align the holes and attach the **Trough (C4)** with **6 Screws (H2)**. Tighten using **Hex Wrench (T1)**.

	HEX WRENCH – T1	QTY 1
	SCREW – H2	QTY 6



With the help of another person, carefully flip the desk onto its feet.





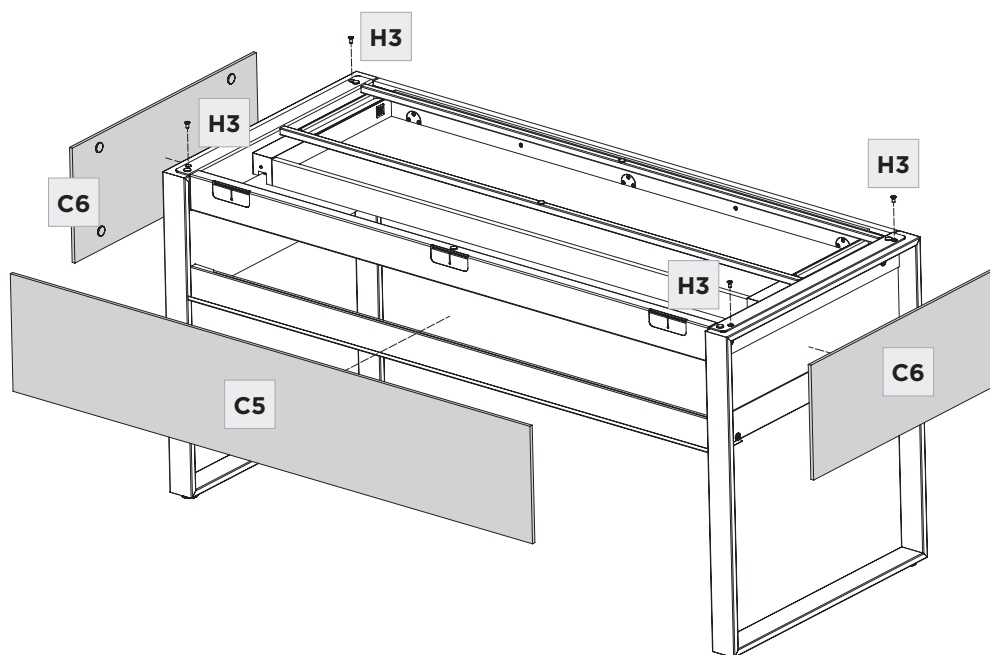
### STEP 3. INSTALL KICK PANEL & OUTER COVER PANELS

### ASSEMBLY

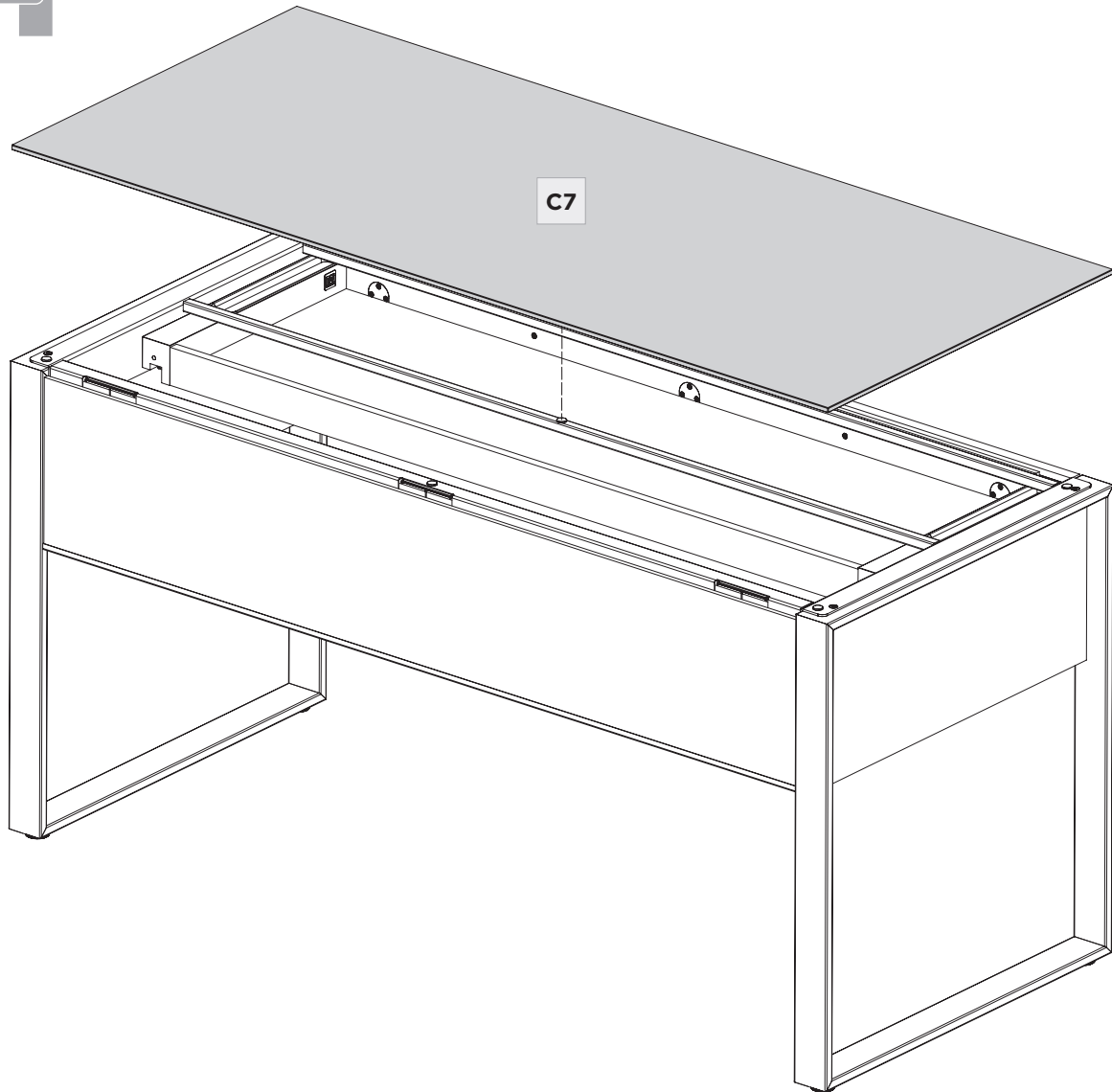
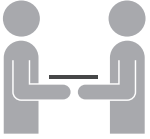
Attach the **Kick Panel (C5)** and **Outer Cover Panels (C6)** by placing them as shown. These panels are held on magnetically and should snap into place.

Secure the **Legs (C2 and C3)** by inserting the **4 Screws (H3)** as shown. Tighten with **Hex Wrench (T1)**.

	HEX WRENCH – T1	QTY 1
	SCREW – H3	QTY 4



With the help of another person, carefully place the **Glass Panel (C7)** on the top of the Desk.





Open the drawer and install the **Drawer Liner (C8)**.

