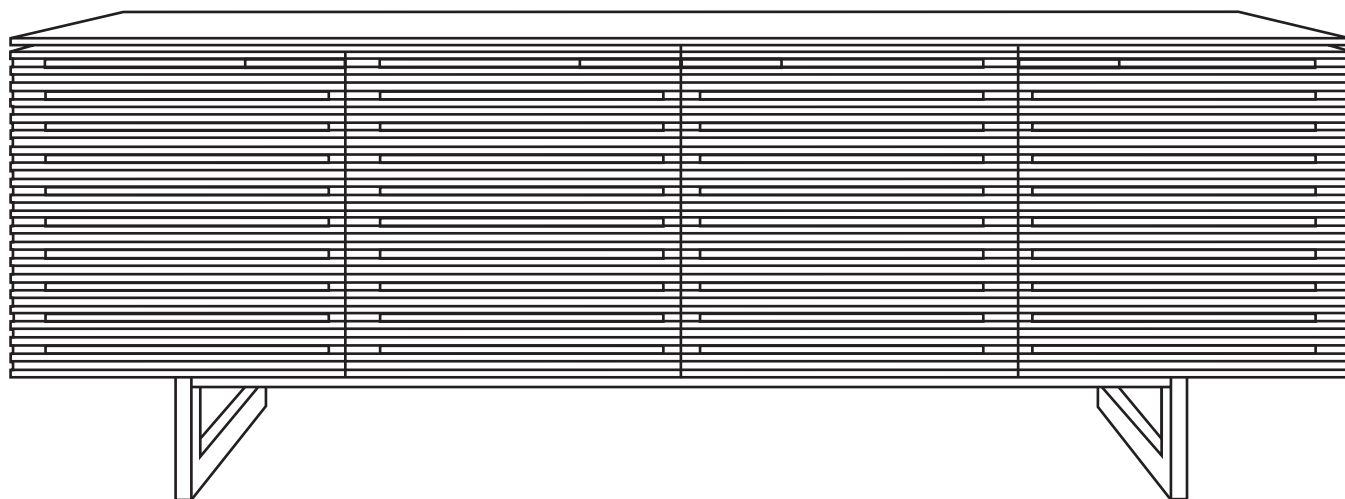


CORRIDOR[®] 8179

MEDIA CONSOLE

INSTRUCTION MANUAL

LET'S GET STARTED.



DESIGN MATTHEW WEATHERLY

BDi

BDIUSA.COM



Congratulations on the purchase of your Corridor Cabinet 8179 from BDI. Your cabinet has been designed to provide a lifetime of enjoyment. This manual will provide you with assembly instructions and other helpful information that will ensure that you get the most out of your cabinet. Please save it for future reference.

Your Corridor cabinet has been engineered for simple assembly. Please follow these directions carefully to prevent any damage.

Should you need further assistance, contact BDI at customerservice@bdiusa.com.

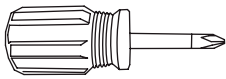
ENJOY!

HARDWARE AND COMPONENTS

Unpack and identify the parts listed below. The assembly workspace should be a non-marring surface such as carpet. For missing hardware pieces, please contact BDI Customer Service at customerservice@bdiusa.com.

Do not use power tools for assembly of this product.

For all other concerns, please contact your BDI retailer.



PART #	A
DESCRIPTION	Phillips Screwdriver
QUANTITY	1



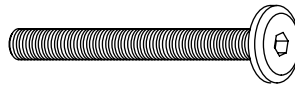
PART #	B1
DESCRIPTION	Hex Wrench
QUANTITY	1



PART #	B2
DESCRIPTION	Open Mouth Wrench
QUANTITY	1



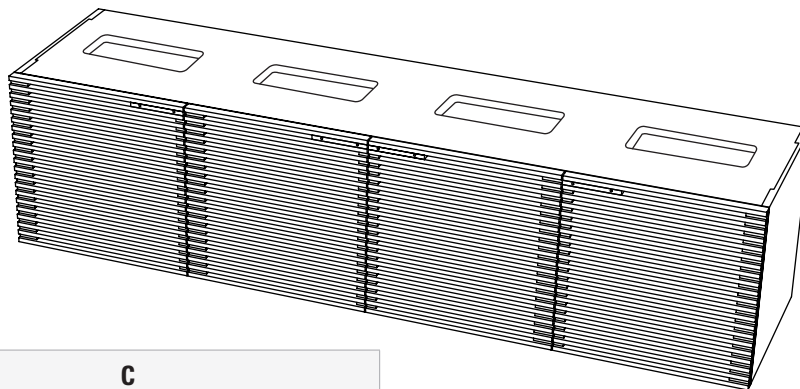
PART #	D
DESCRIPTION	1/4-20 x 10mm Machine Screw
QUANTITY	16



PART #	G
DESCRIPTION	1/4-20 x 60mm Machine Screw
QUANTITY	6

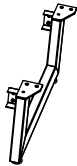


PART #	H
DESCRIPTION	M4 x 35mm Machine Screw
QUANTITY	8



PART #	C
DESCRIPTION	Cabinet
QUANTITY	1

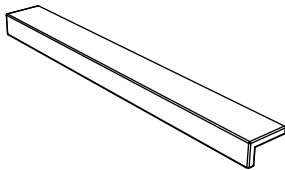
HARDWARE AND COMPONENTS



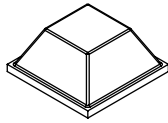
PART #	E
DESCRIPTION	Metal Leg
QUANTITY	2



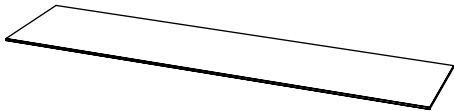
PART #	F
DESCRIPTION	Metal Rail
QUANTITY	2



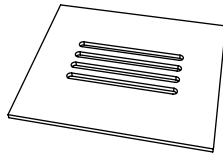
PART #	I
DESCRIPTION	Door Pull
QUANTITY	4



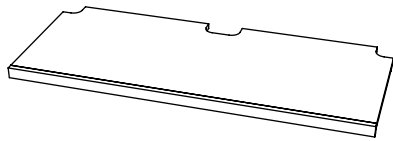
PART #	J
DESCRIPTION	Rubber Bumper
QUANTITY	8



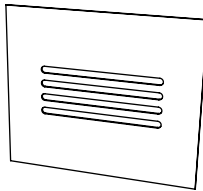
PART #	K
DESCRIPTION	Glass Top
QUANTITY	1



PART #	L
DESCRIPTION	Adjustable Shelf
QUANTITY	2




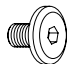
PART #	M
DESCRIPTION	Adjustable Shelf
QUANTITY	1

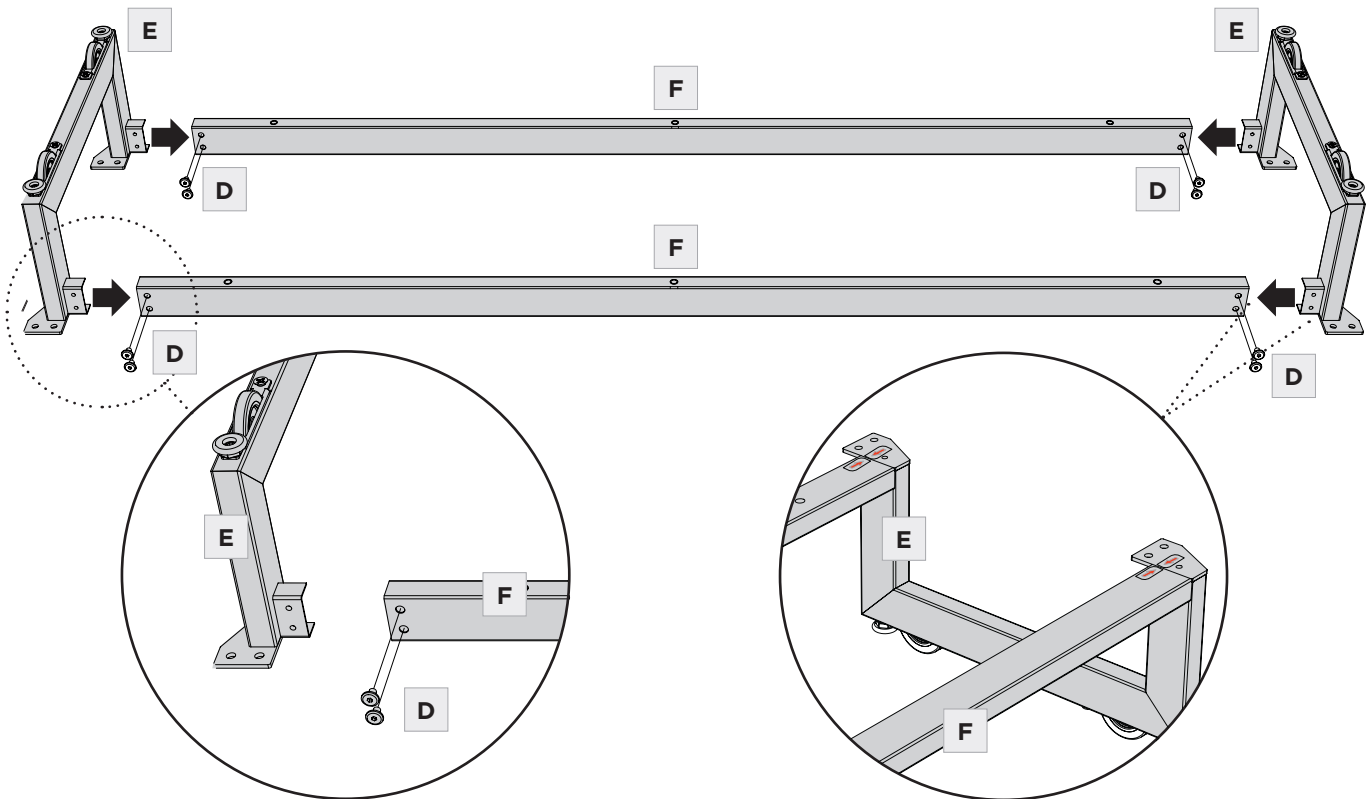


PART #	N
DESCRIPTION	Back Panel
QUANTITY	2

Slide **(E) Metal Leg** into **(F) Metal Rail** and attach by using **(B1) Hex Wrench** and **8 (D) Screws**.

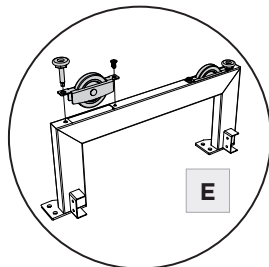
NOTE: You **MUST** align arrows on **(F) Metal Rails** with arrows on **(E) Metal Legs** for proper orientation.

	PART/DESCRIPTION	QTY
	B1-HEX WRENCH	1
	D-SCREW	8

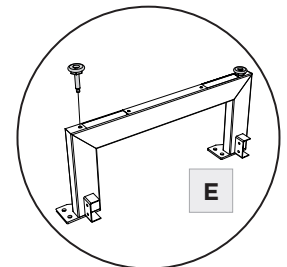


Removal of wheels (optional):

Detach **Wheel Assembly** from **(E) Metal Leg** by removing the **Leveler** and **Screw**.



Reinstall **Leveler** to **(E) Metal Leg**.


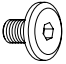
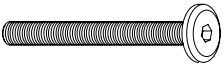


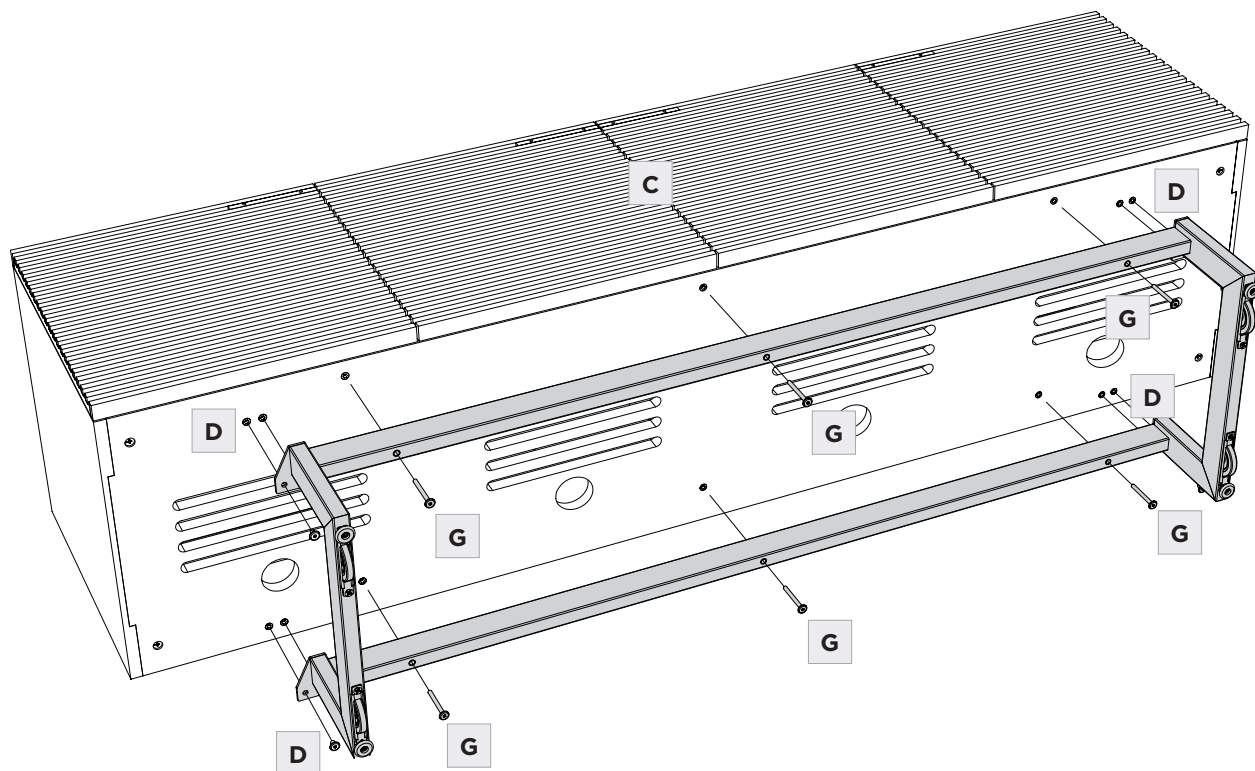
STEP 2. ATTACH THE BASE

ASSEMBLY

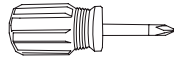

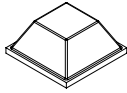
Carefully lay **(C) Cabinet** on its back. Using **(B1) Hex Wrench**, attach the base assembly to the bottom of the **(C) Cabinet** with **(D) Screws** and **(G) Screws**.

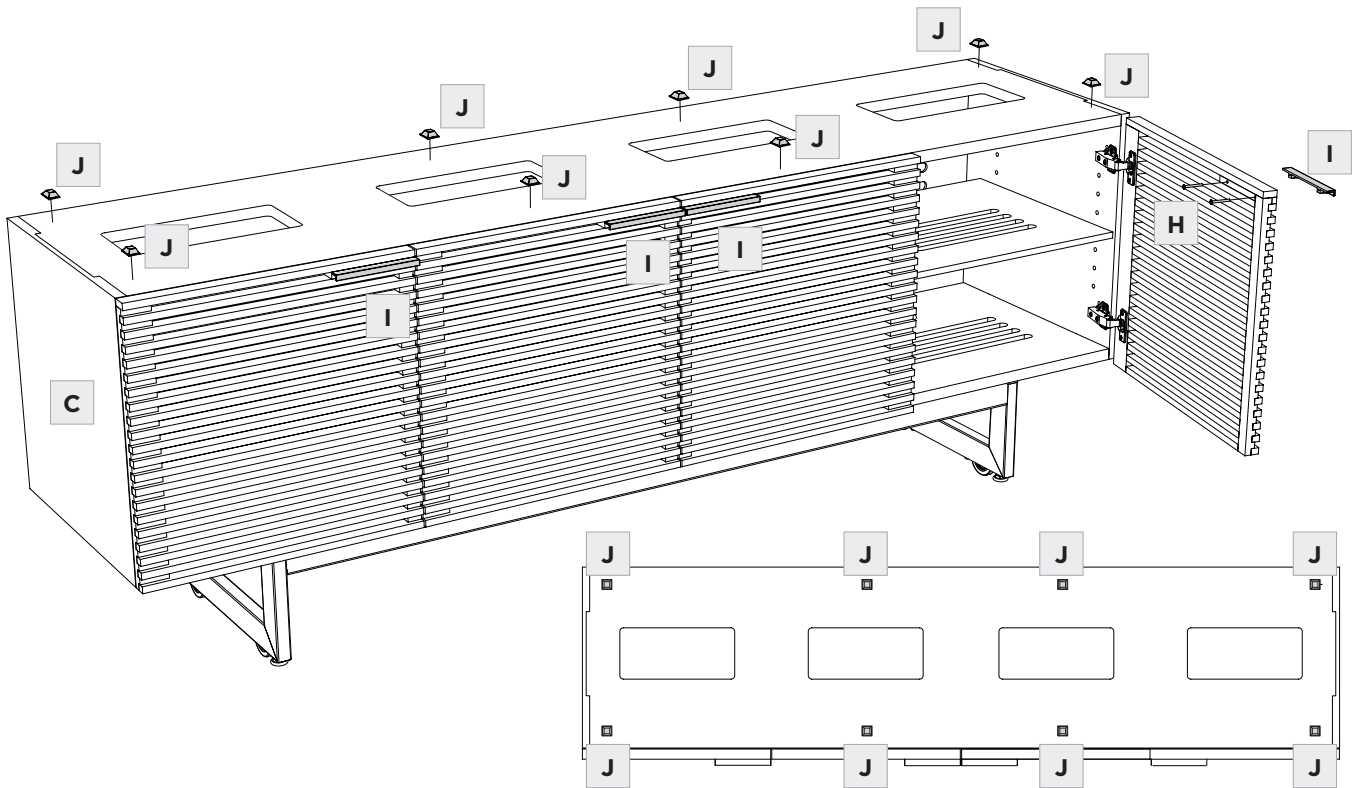
Note: Each of the metal legs has levelers that can be adjusted using the **(B2) Hex Wrench**.

	PART/DESCRIPTION	QTY
	B1-HEX WRENCH	1
	D-SCREW	8
	G-SCREW	6



Position the **(C) Cabinet** upright and install **(I) Door Pulls** using **(H) Screws** and **(A) Screwdriver**. Adhere **(J) Rubber Bumper** at least one (1) inch from edges of the cabinet as shown below.

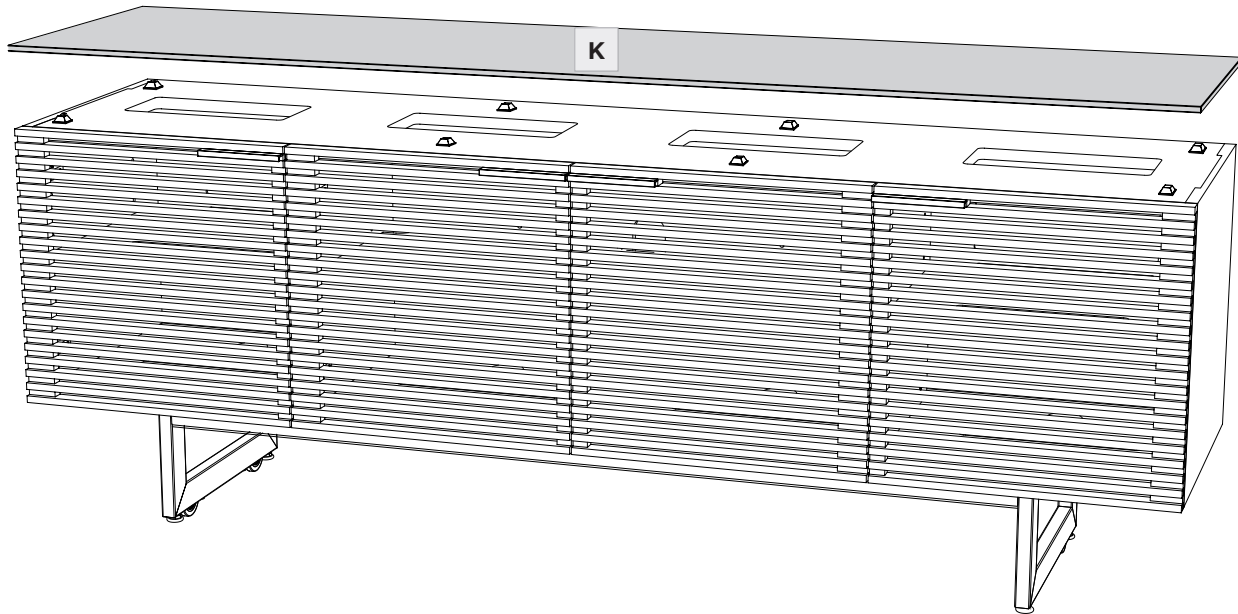
	PART/DESCRIPTION	QTY
	A-PHILLIPS SCREWDRIVER	1
	H-SCREW	8
	J-RUBBER BUMPER	6



STEP 4. PLACE GLASS TOP

ASSEMBLY

Place **(K) Glass Top** on top of **(C) Cabinet**. Position glass flush with cabinet front doors.

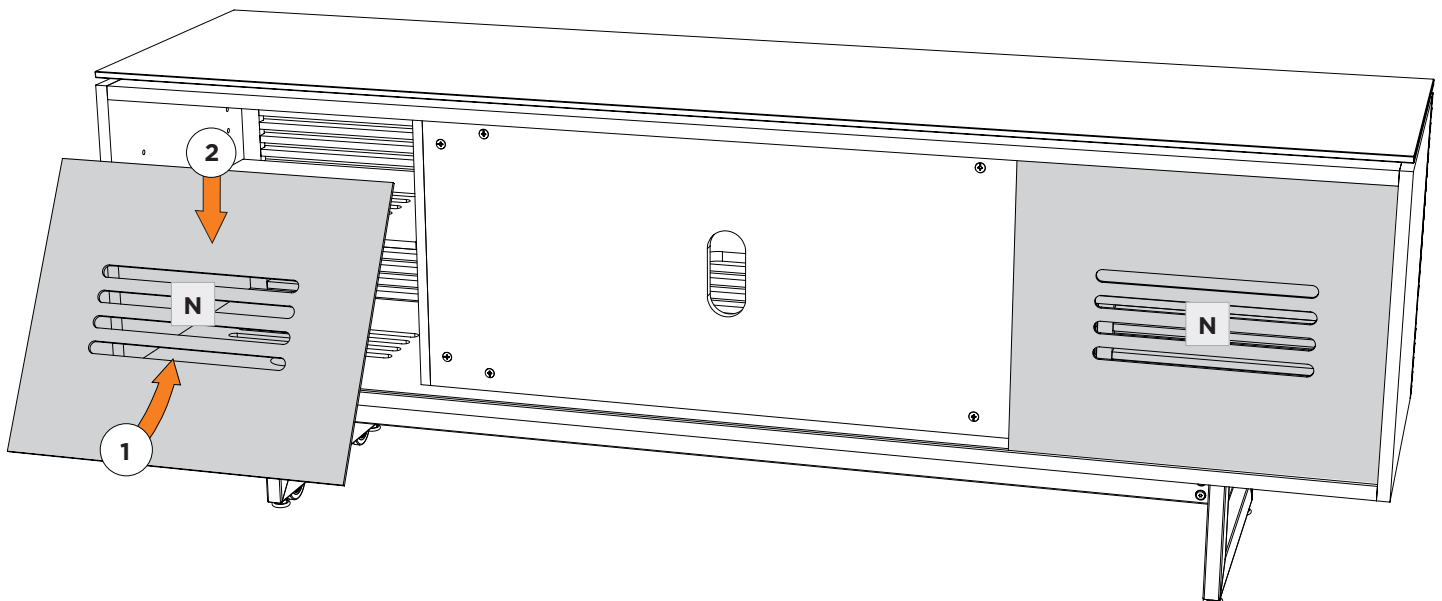


STEP 5. INSTALL BACK PANELS

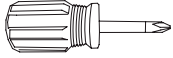
ASSEMBLY

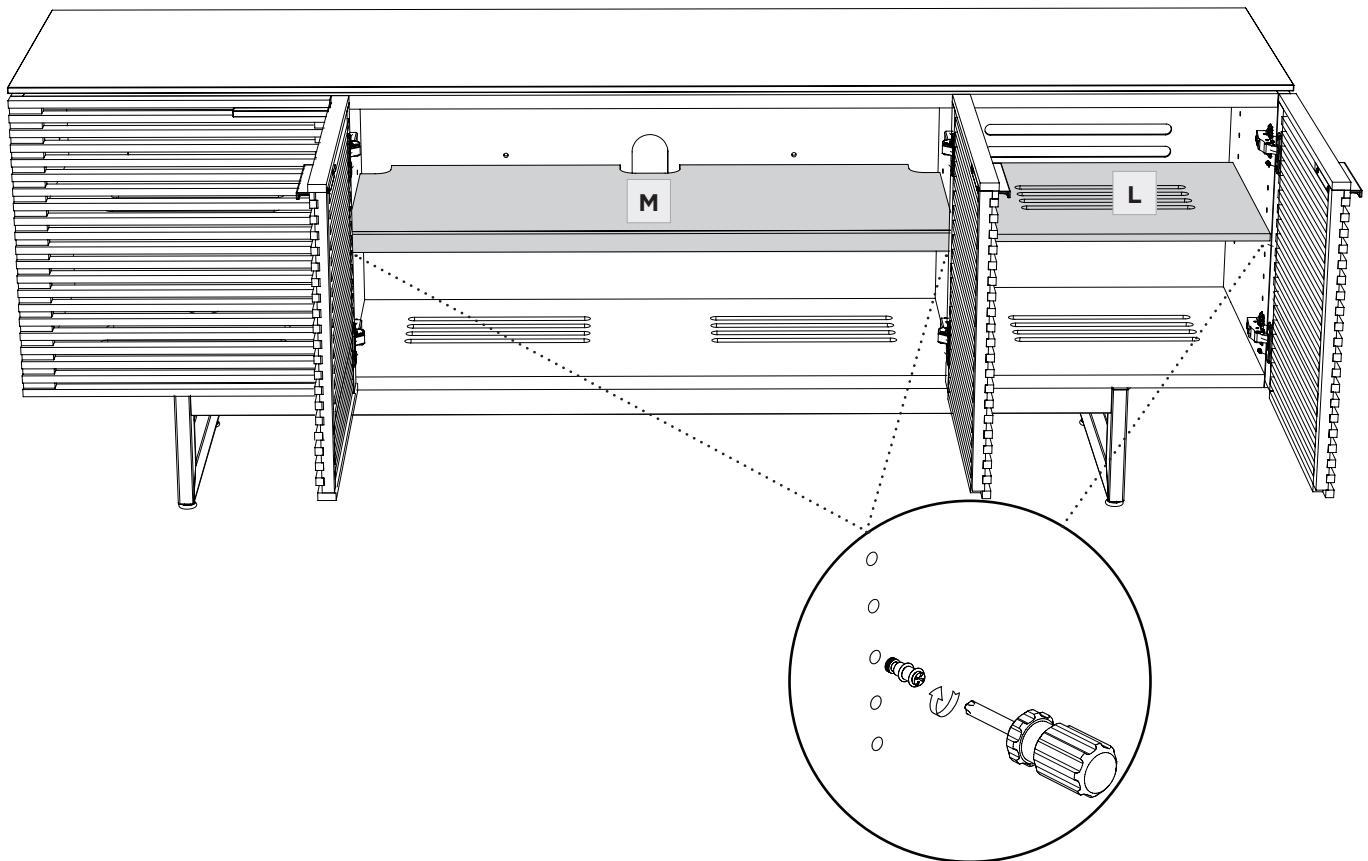
Install both **(N) Back Panels** to the backside of the cabinet by inserting top edge in upper channel then tipping bottom edge forward and into lower channel.

Note: Velcro straps are included for your convenience to facilitate wire management.




The shelf pins located inside all three cabinet spaces may be repositioned using the **(A) Screwdriver**, allowing you to raise or lower each **(L) Adjustable Shelf** and **(M) Adjustable Shelf** to the desired level.

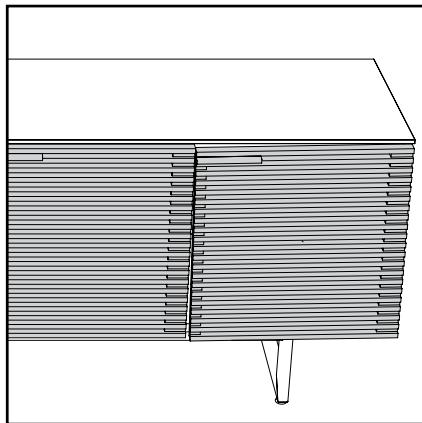
	PART/DESCRIPTION	QTY
	A-PHILLIPS SCREWDRIVER	1



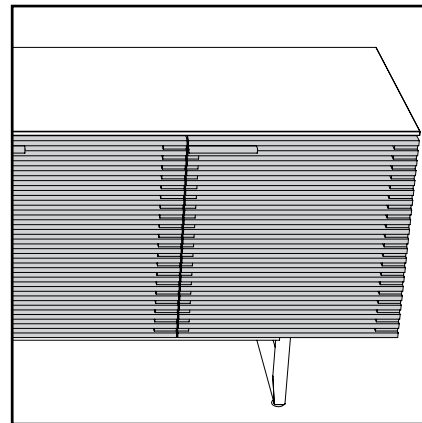
Levelers are integrated into each leg assembly and are accessed at the bottom of each cabinet leg using the **(B2) Open Mouth Wrench**. If your floor is uneven, you may extend one or more levelers to attain a level, stable cabinet placement. Turning the leveler clockwise will extend the leveler; turning it counter-clockwise will retract it.

	PART/DESCRIPTION	QTY
	B2-OPEN MOUTH WRENCH	1

These steps are to be followed after you have unpacked and completed the simple assembly instructions for your Corridor AV cabinet. Due to jostling in freight or perhaps an uneven floor, the doors on your Corridor cabinet may not appear to be in perfect alignment. Making a few minor adjustments can rectify this situation. Be aware that depending on your situation, patience and a bit of trial and error are required. The high-quality European hinge hardware is infinitely adjustable, but changing one element can cause the need for further adjustments. Through a little adjustment, you can modify the orientation of the cabinet doors to make sure that they are sitting perfectly on your Corridor unit.



INCORRECT!
Door is out of alignment with the rest of the unit.



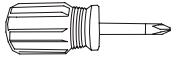
CORRECT!
Door is sitting squarely and evenly spaced on tops and sides.

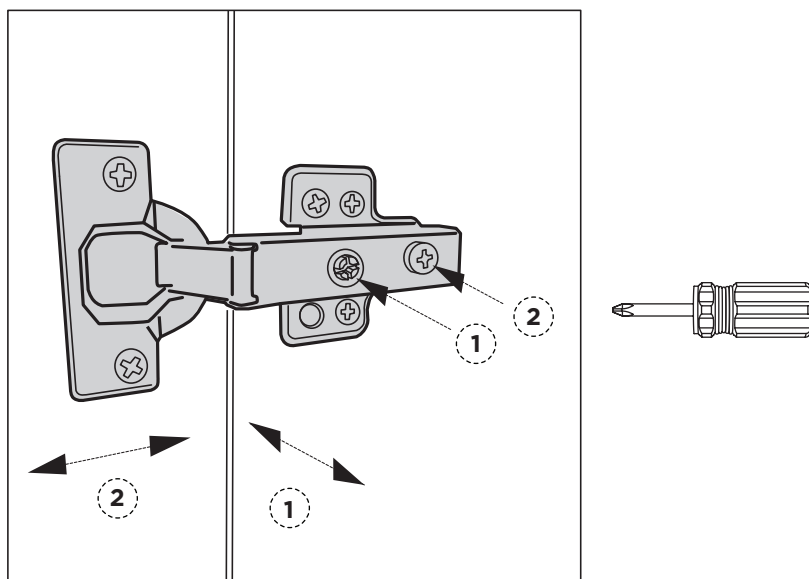
The doors on your cabinet should be evenly spaced and the doors should open and close freely without rubbing against the door frame.

If the cabinet's doors appear out of alignment, this condition can be corrected with minor adjustment to the European hinges on each door.

Use a **(A) Phillips Screwdriver** to adjust Corridor's door hinges:

- By adjusting **Screw 1**, the door will move LEFT or RIGHT within the frame. Make minor adjustments at both top and bottom hinges for best results.
- By adjusting **Screw 2** the entire door will move IN or OUT, opening or closing the gap between the door frame and cabinet. (This screw rarely needs adjustment.)

	PART/DESCRIPTION	QTY
	A-PHILLIPS SCREWDRIVER	1





BDIUSA.COM

These distinctive product configurations are protected by US and international patents, trade dress, and/or copyright laws. Corridor & BDI are trademarks of Becker Designed, Inc. All rights reserved. ©2020, BDI | V.10.22.2020

Made in China.