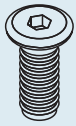
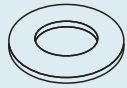


Parts & Hardware



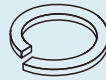
QTY 8

Pt. 1079



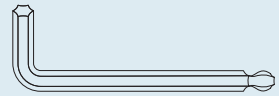
QTY 8

Pt. 3002



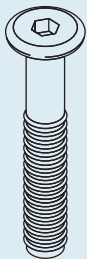
QTY 8

Pt. 3001



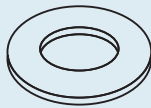
QTY 1

Pt. 9016



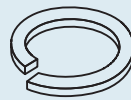
QTY 8

Pt. 1699



QTY 8

Pt. 3006



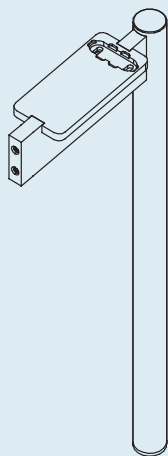
QTY 8

Pt. 3005



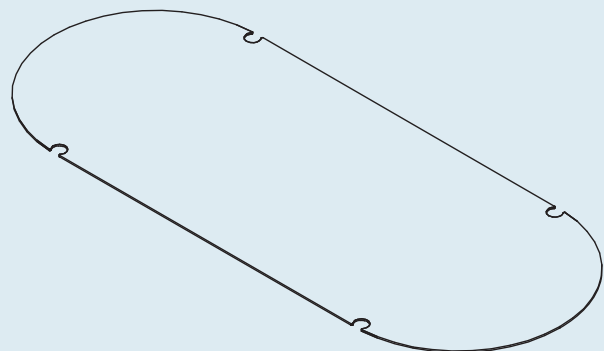
QTY 1

Pt. 9001



QTY 4

Leg



QTY 1

Table Top*

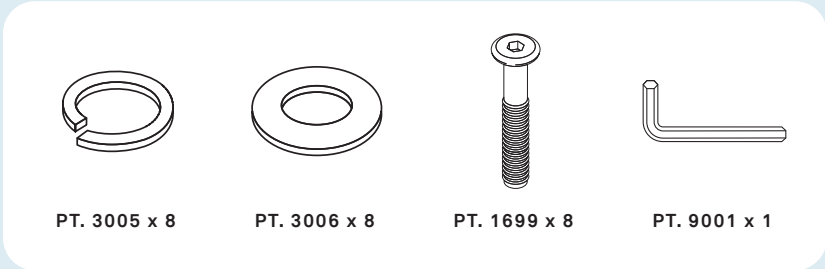
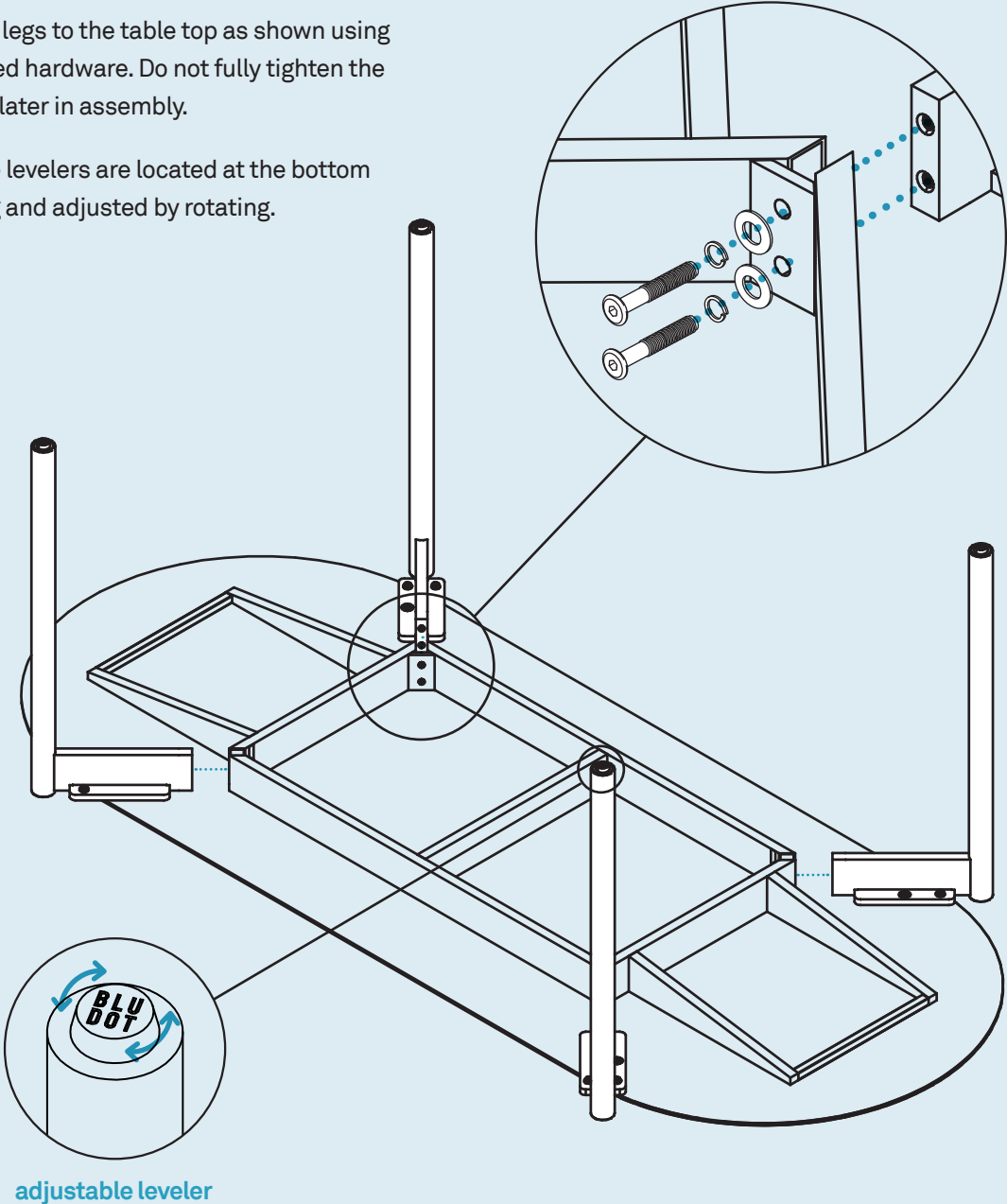
*The shape of the Table Top will vary depending on size purchased.

Step 01

ATTACH LEGS.

Attach the legs to the table top as shown using the provided hardware. Do not fully tighten the bolts until later in assembly.

Adjustable levelers are located at the bottom of each leg and adjusted by rotating.



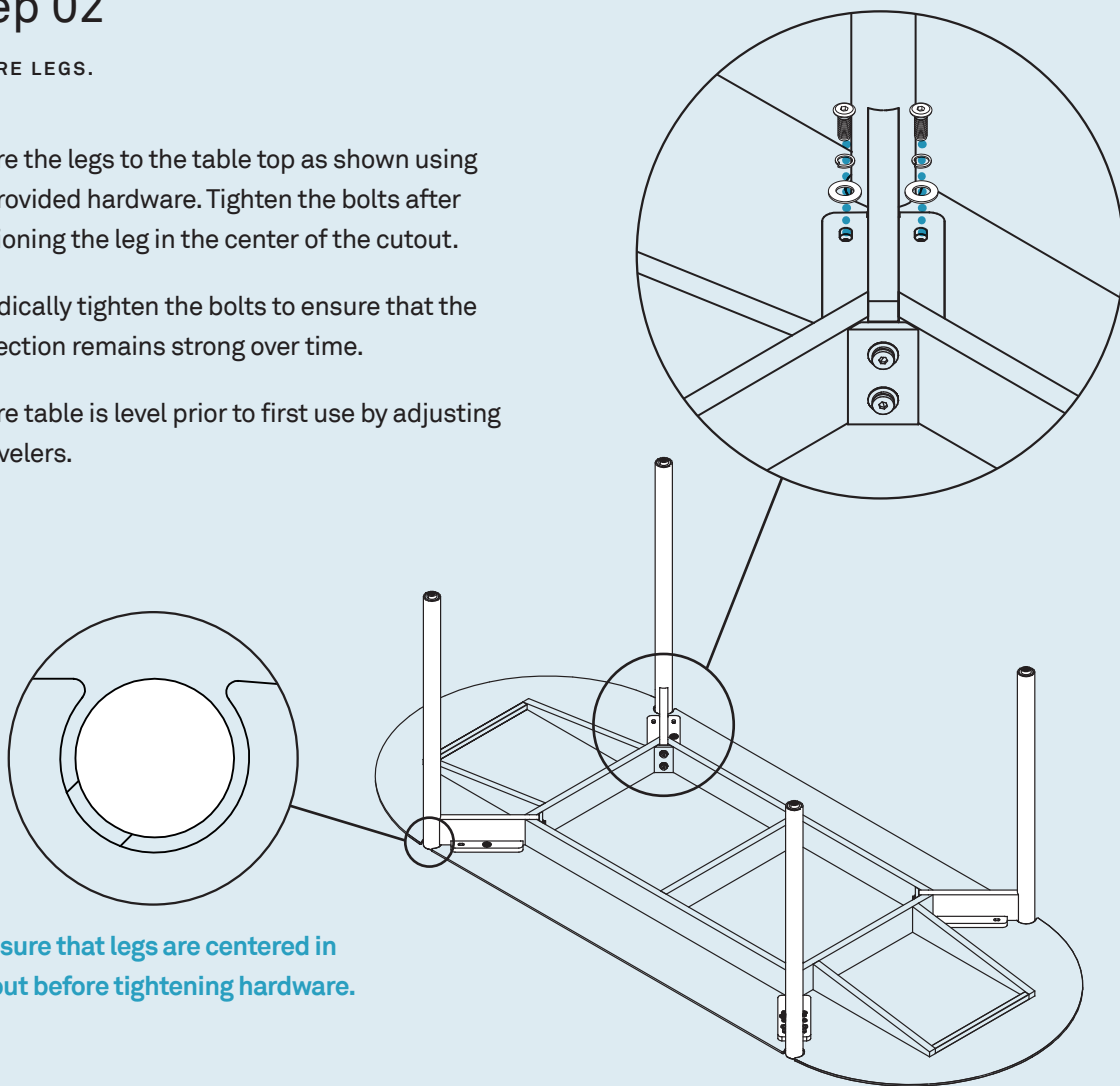
Step 02

SECURE LEGS.

Secure the legs to the table top as shown using the provided hardware. Tighten the bolts after positioning the leg in the center of the cutout.

Periodically tighten the bolts to ensure that the connection remains strong over time.

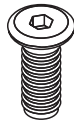
Ensure table is level prior to first use by adjusting leg levelers.



PT. 3001 x 8



PT. 3002 x 8



PT. 1079 x 8



PT. 9016 x 1

Additional Information

CLEAN

Clean with a slightly damp, soft cloth. To remove dirt and fingerprints, use a quality cleaner formulated for metal surfaces. Wipe completely dry with a soft cloth. Cover table during periods of non-use. Store table indoors during winter months.

