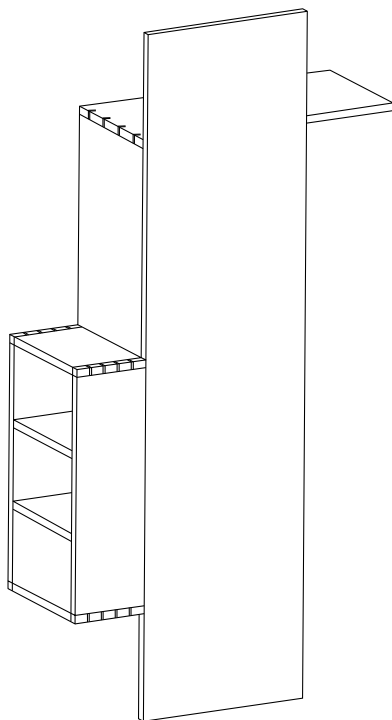


BON HALLWAY CABINET

Assembly manual



ferm
L I V I N G

General Instructions

PLEASE READ BEFORE INSTALLATION

WARNING:

The safety of this fitting can only be guaranteed if the following instructions are observed during both installation and use. Please retain these instructions safely after installation

PLEASE OBSERVE THE FOLLOWING GUIDELINES FOR VENEERED FURNITUR:

For daily cleaning, wipe with a clean, dry cloth or a cloth wrung out in clean water. If a wrung-out cloth or chamois is used, immediately wipe away any excess water with a clean, dry cloth. Dirty surfaces should be wiped with a damp cloth. Again, dry immediately with a clean, dry cloth. Be aware that liquid detergents will dissolve the oil, so an oil treatment should be repeated. To do this, apply wood oil evenly with a soft cloth or sponge in the direction of the wood's grain. After 2-3 hours, the wood may be polished with a clean, dry cloth. Avoid exposing the surfaces to water or other liquids for an extended period of time. Spilt liquids should be wiped away immediately.

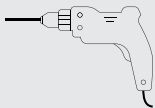
For a more thorough clean of your wooden furniture, you should use a wood cleaner, which removes marks like oil-based stains, water rings and more. It can also be used to wash tannic acid out of oak wood. Remember to treat the surface with neutral wood oil after using wood cleaner. Always remember to treat the underside of your furniture; otherwise, there is a risk that the wood will warp or crack. If the surface of the wood 'rises up' (becomes rough) after treatment, you can lightly sand it in the direction of the wood grain using fine sandpaper (minimum 220 grit). Never use steel wool!

The enclosed raw plugs are for brick wall only. Not suitable for plaster walls

MORE INFORMATION:

To access further information such as product overview and material descriptions, please visit our website at www.fermliving.com. If you have any questions or comments, please do not hesitate to contact us at info@fermliving.com.

NEEDED TOOLS



Electrical drill



Spirit Level



Screwdriver



Pencil

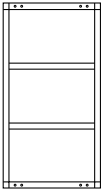


Hammer

Box Content

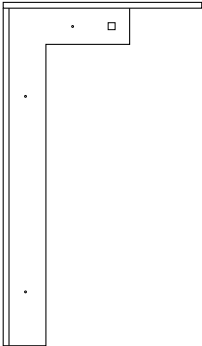


x1
Mirror



x1
Shelf

Coat Rod



x1
Wall Module



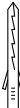
x8
Dowel



x3
Long Screw



x4
Short Screw



x3
Wallplug



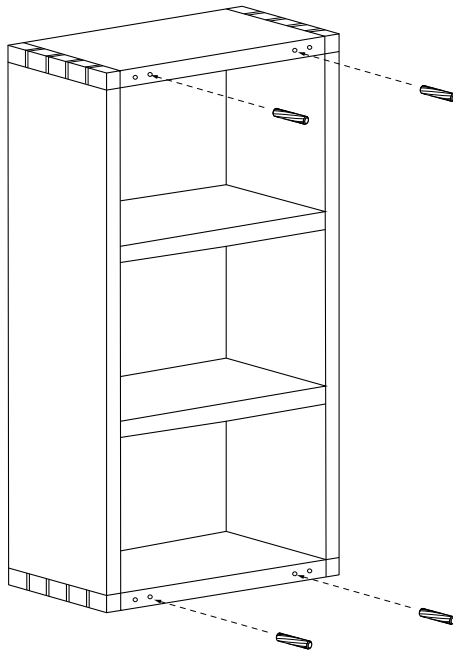
x5
Minifix Screw



x5
Minifix Connector

Assembly Process

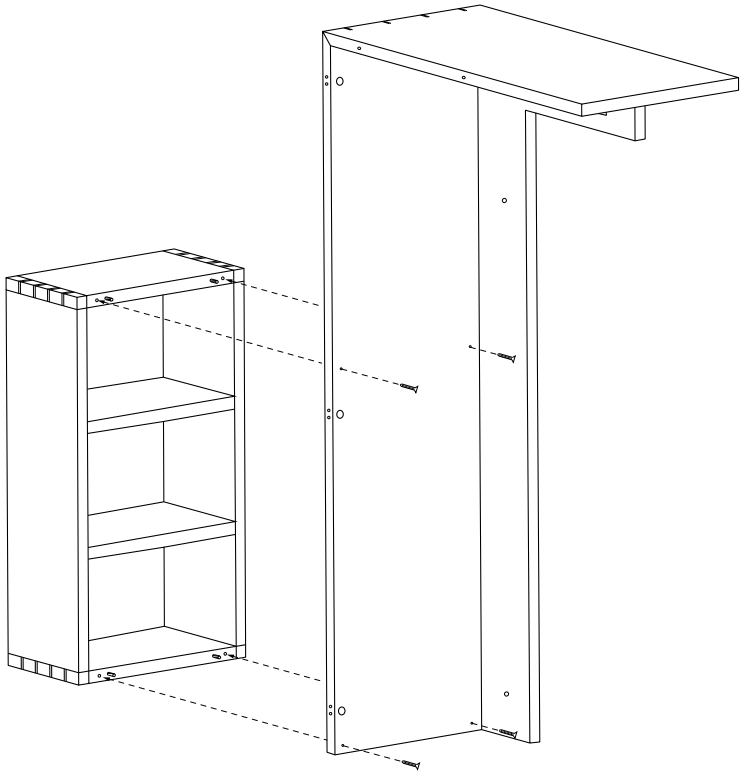
1



Insert 4 dowels in shelf.

Assembly Process

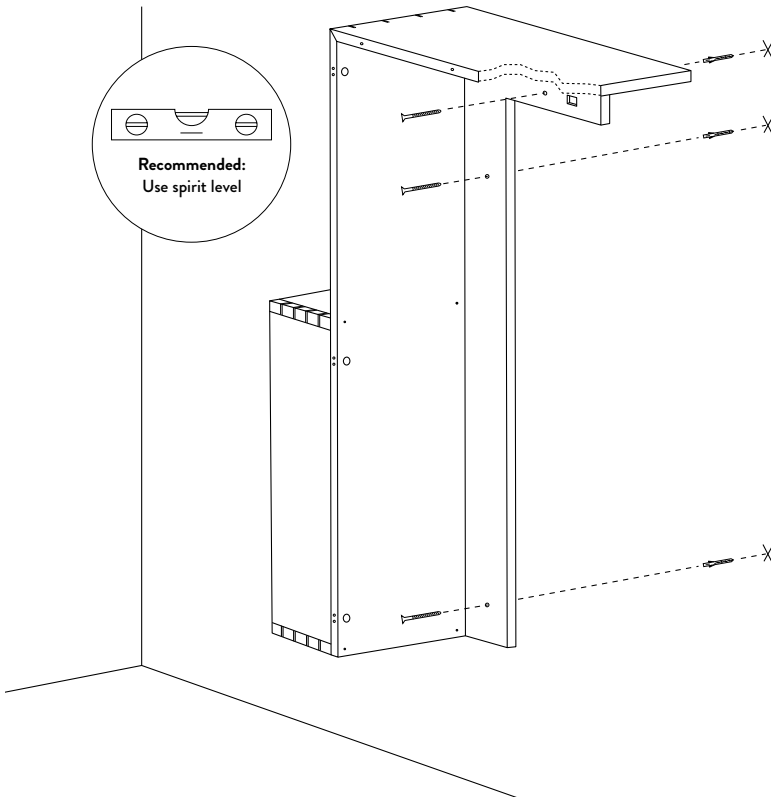
2



Mount the shelf on the wall module with four short screws.

Assembly Process

3

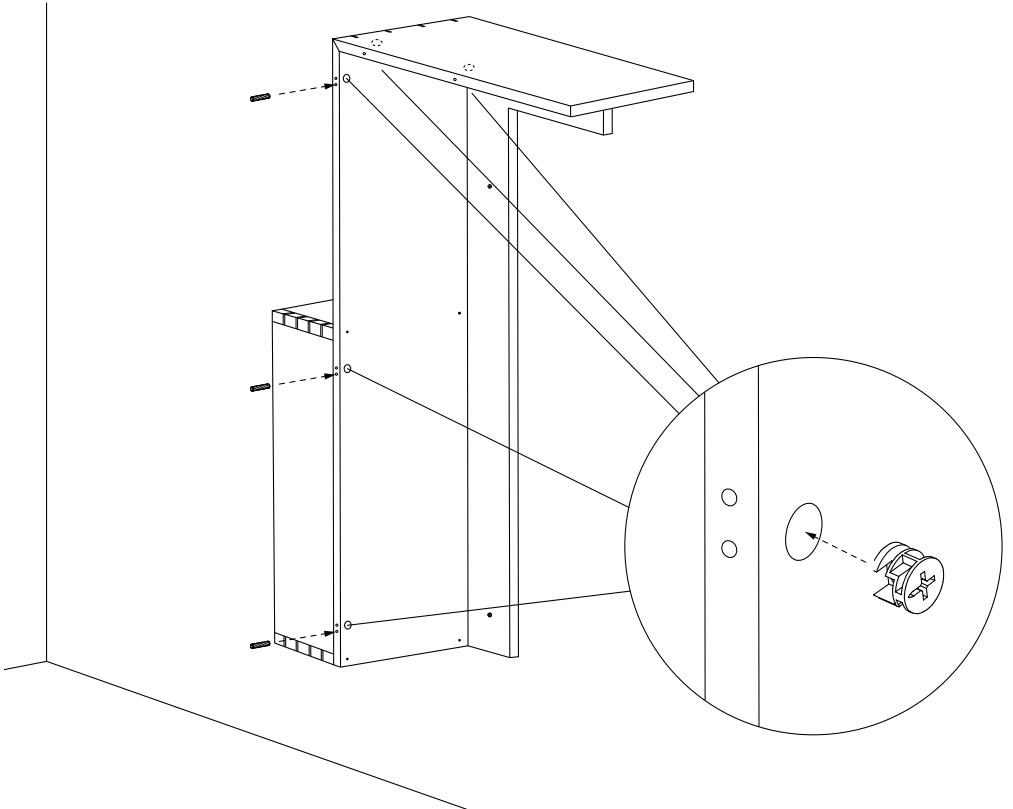


Mark and drill holes, and attach the wall module to the wall with three big screws and three wallplugs.

***Depending on the type of wall, replace the supplied screws with screws and wallplugs that match the type of wall.**

Assembly Process

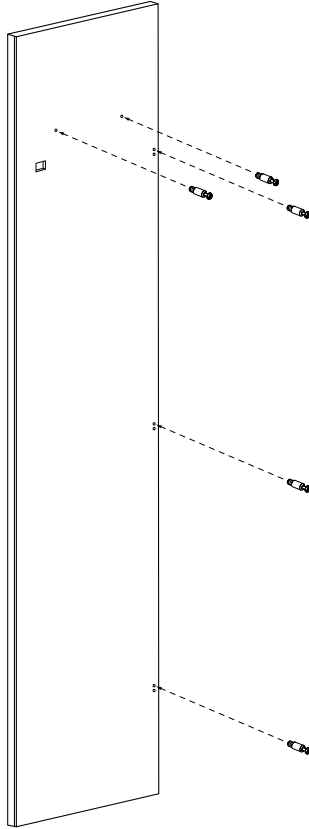
4



Insert minifix connectors and dowels to the wall module.

Assembly Process

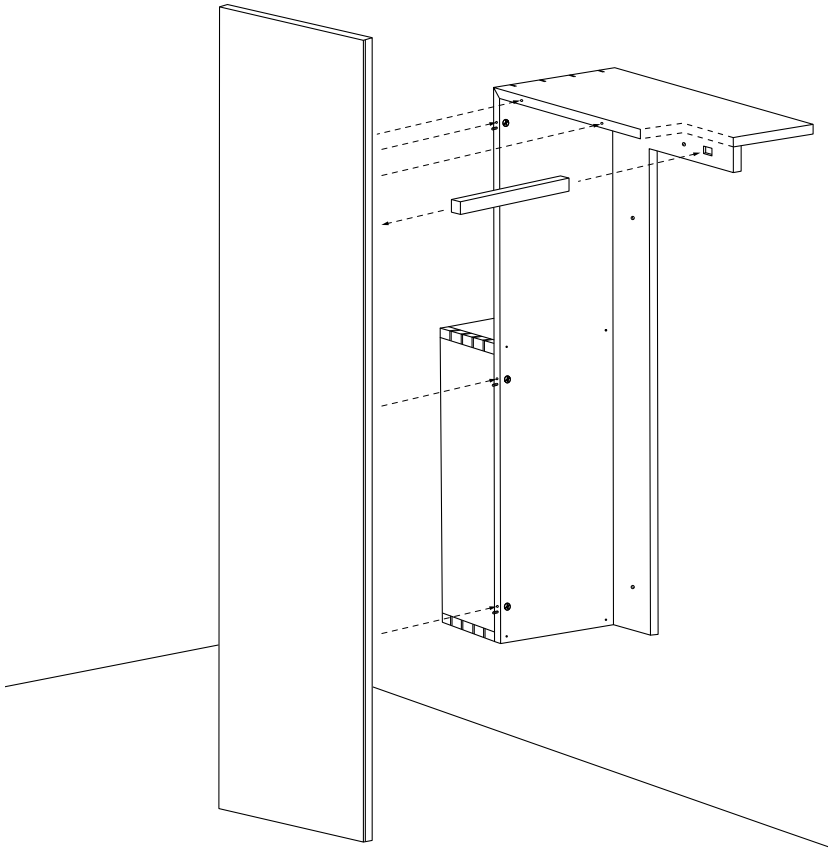
5



Put the minifix screws into the mirror.

Assembly Process

5



Mount the mirror on the wall module, with the coat rod in between.
Then lock the minifix connectors.

fermliving.com