

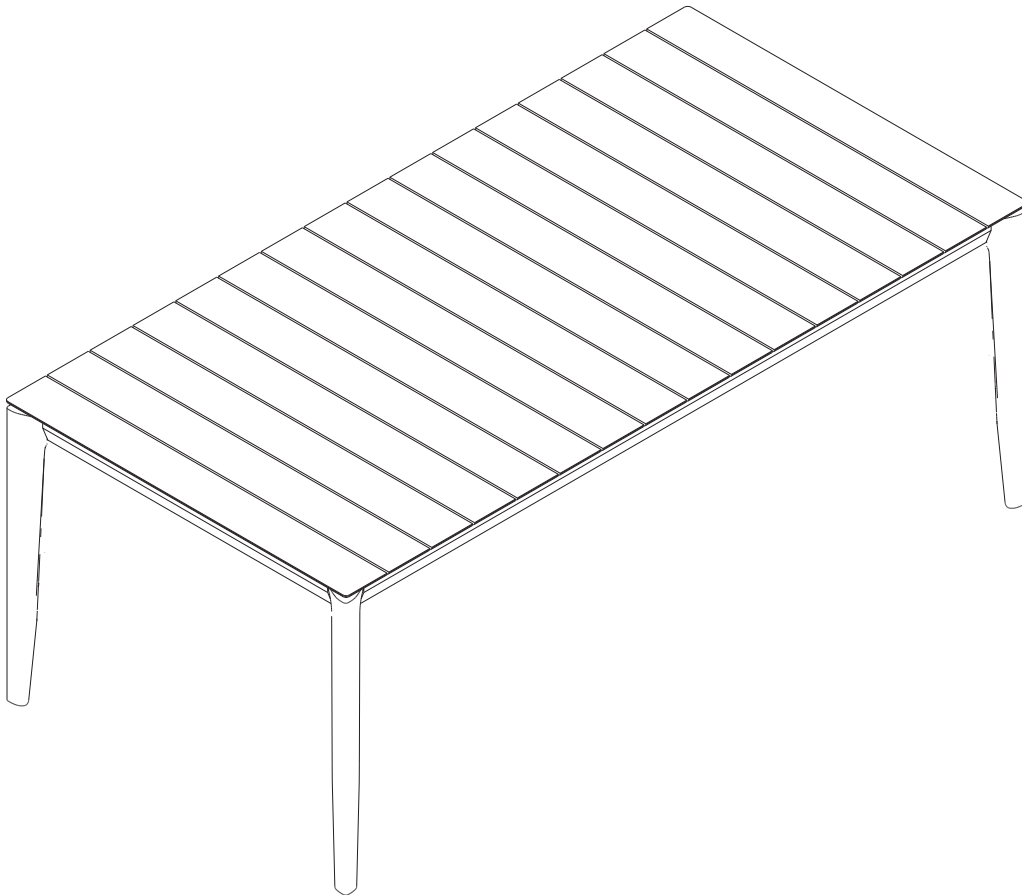
# Ethnicraft

## ASSEMBLY INSTRUCTIONS FOR DINING TABLE INSTALLATION

---

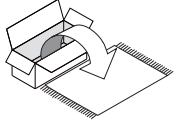
### TEAK BOK OUTDOOR DINING TABLE

CODE	DESCRIPTION
10269	TEAK BOK OUTDOOR DINING TABLE 162/80/76
10270	TEAK BOK OUTDOOR DINING TABLE 200/100/76
10271	TEAK BOK OUTDOOR DINING TABLE 250/100/76
10272	TEAK BOK OUTDOOR DINING TABLE 300/110/76



## TEAK BOK OUTDOOR DINING TABLE ASSEMBLY INSTRUCTIONS FOR DINING TABLE INSTALLATION

### NOTE



- CAREFULLY OPEN THE CARTON,
- REMOVE CONTENTS AND LAY OUT ON CARPET OR THE PACKAGING CARTON BOX OR OTHER PROTECTIVE SURFACE TO AVOID DAMAGE.
- CHECK PACKAGE CONTENTS TO ASSURE ALL THE NECESSARY HARDWARE AND PARTS ARE RECEIVED UNDAMAGED.
- DO NOT USE DAMAGE OR DEFECTIVE PARTS/HARDWARE.
- CONTACT ETHNICRAFT FOR ANY MISSING PART AND /OR HARDWARE.

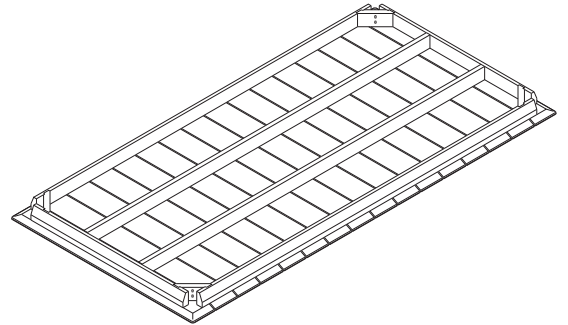


- READ THE ASSEMBLY INSTRUCTION BEFORE INSTALLATION AND CAREFULLY FOLLOW THE INSTRUCTION GIVEN.
- SEEK THE ADVICE OF A PROFESSIONAL IF YOU ARE NOT FAMILIAR WITH THESE INSTALLATIONS OR HAVE ANY DOUBTS ABOUT THE SAFETY OF THIS INSTALLATION.



- IT IS ADVISABLE TO DO THIS ASSEMBLY WITH MINIMUM OF 2 PERSONS.

### PARTS TO ASSEMBLE



#### A TABLE TOP 1piece

CODE	DESCRIPTION
P1042	TABLE TOP 162x80
P1010	TABLE TOP 200x100
P1011	TABLE TOP 250x100
P1014	TABLE TOP 300x110

### HARDWARE ENCLOSED

<p><b>H2035 SPAX SCREW M6x100 (8pcs)</b></p>	<p><b>H2103 WASHER M8x23 (8pcs)</b></p>	<p><b>H2036 SPRING WASHER M6 (8pcs)</b></p>
--	---	---



#### B LEG (INTERCHANGEABLE) 4pieces

CODE	DESCRIPTION
P1012	LEG FOR 162 & 200 LENGTH
P1013	LEG FOR 250 & 300 LENGTH

### TOOL

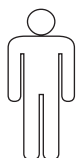
(Included in packaged)



### SYMBOLS



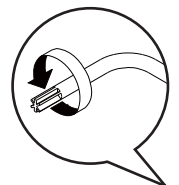
DIRECTION



NUMBER OF  
PERSONS NEEDED



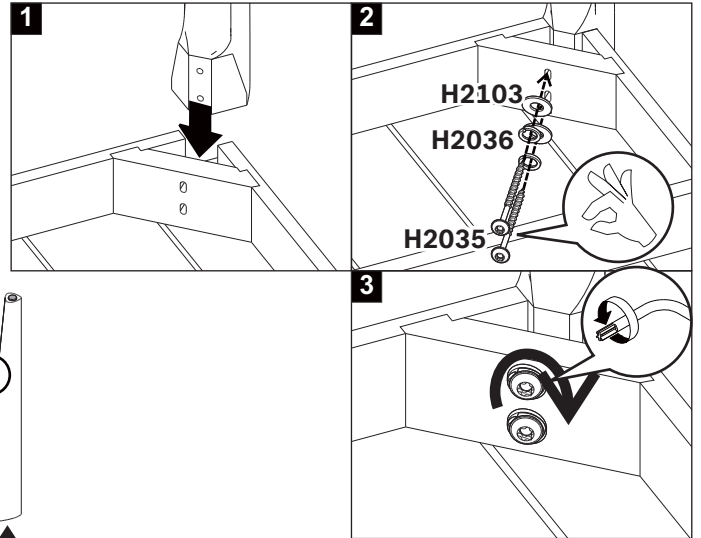
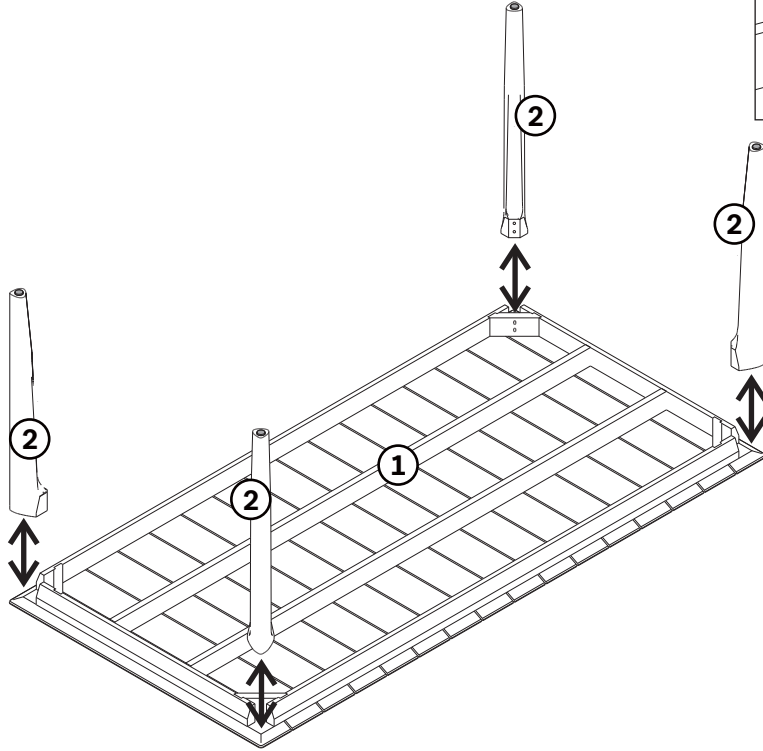
USE HAND



USE TORX ALLEN SCREW  
TO TIGHTEN

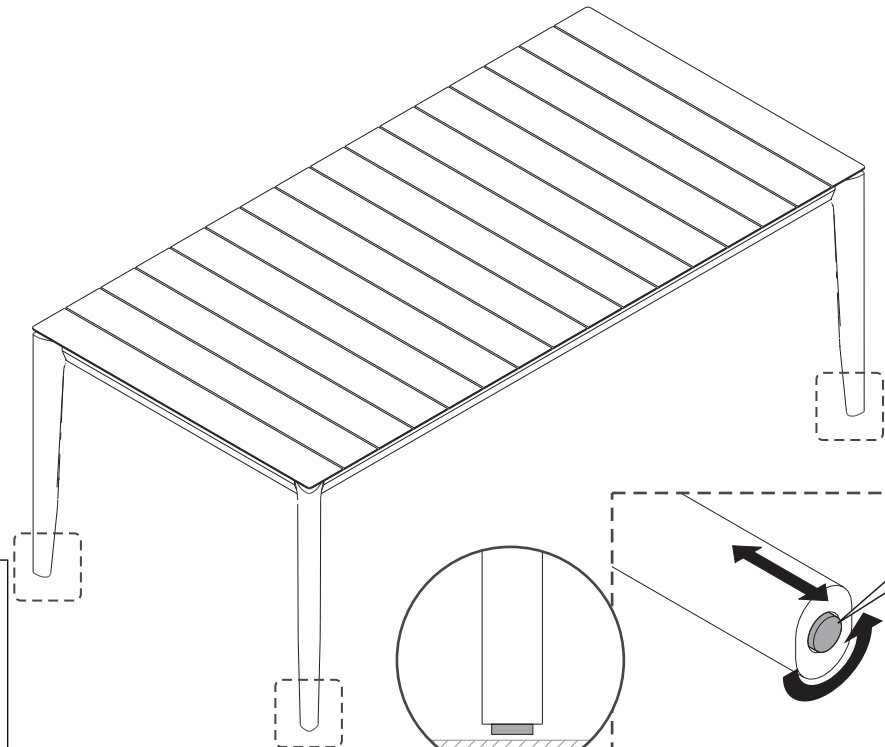
## TEAK BOK OUTDOOR DINING TABLE ASSEMBLY INSTRUCTIONS FOR DINING TABLE INSTALLATION

### A. CONNECTING LEGS TO TABLE TOP

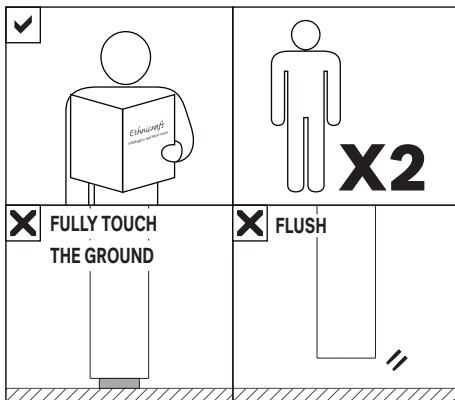


- NOT TOO TIGHT
- TO BE RE-TIGHTENED AFTER 15 DAYS
- REPEAT STEP 1 TO STEP 3 FOR OTHER LEGS

### B. ADJUST LEVELER



#### NOTICE



#### IMPORTANT NOTICE :

TO PREVENT WARPING, BEFORE USING A TABLE, ALWAYS ADAPT THE ADJUSTABLE GLIDES OF THE EACH LEGS TO THE GROUND SURFACE. FOR STABILITY, EACH LEGS NEED TO BE SLIGHTLY SHORTER.