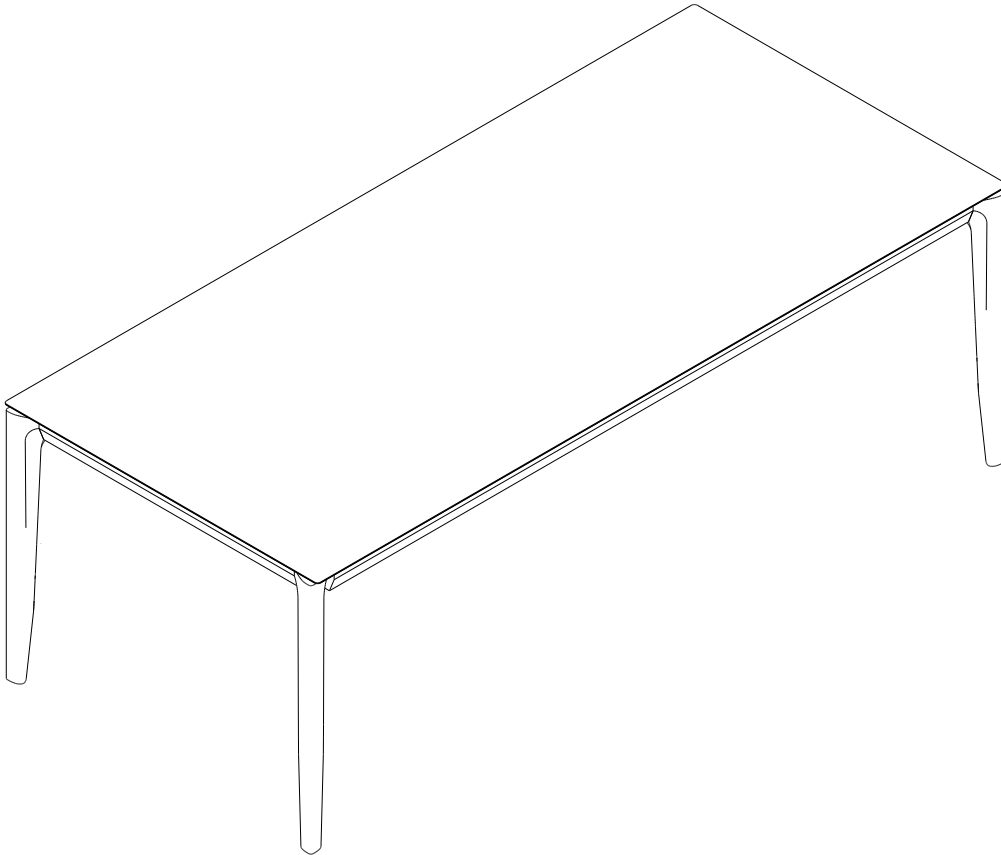


Ethnicraft

ASSEMBLY INSTRUCTIONS FOR DINING TABLE INSTALLATION

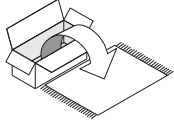
TEAK BOK DINING TABLE

| CODE | DESCRIPTION |
|--------------------------|--|
| NATURAL FINISHING | |
| 10157 | TEAK BOK DINING TABLE 140/80/76 |
| 10158 | TEAK BOK DINING TABLE 160/80/76 |
| 10159 | TEAK BOK DINING TABLE 180/90/76 |
| 10160 | TEAK BOK DINING TABLE 200/95/76 |
| 10161 | TEAK BOK DINING TABLE 220/95/76 |
| 10162 | TEAK BOK DINING TABLE 240/100/76 |
| BROWN FINISHING | |
| 10687 | TEAK BOK BROWN DINING TABLE 140/80/76 |
| 10688 | TEAK BOK BROWN DINING TABLE 160/80/76 |
| 10689 | TEAK BOK BROWN DINING TABLE 180/90/76 |
| 10690 | TEAK BOK BROWN DINING TABLE 200/95/76 |
| 10691 | TEAK BOK BROWN DINING TABLE 220/95/76 |
| 10692 | TEAK BOK BROWN DINING TABLE 240/100/76 |



TEAK BOK DINING TABLE ASSEMBLY INSTRUCTIONS FOR DINING TABLE INSTALLATION

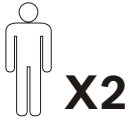
NOTE



- CAREFULLY OPEN THE CARTON.
- REMOVE CONTENTS TO LAY OUT ON THE FLATTENED CARTON, CARPETED AREA, OR ANOTHER PROTECTIVE SURFACE TO AVOID DAMAGE WHILE ASSEMBLING.
- CHECK PACKAGE CONTENTS TO ASSURE ALL THE NECESSARY HARDWARE AND PARTS ARE RECEIVED UNDAMAGED.
- DO NOT USE DAMAGED OR DEFECTIVE PARTS/HARDWARE.
- CONTACT RETAILER FOR ANY MISSING PART AND/OR HARDWARE.



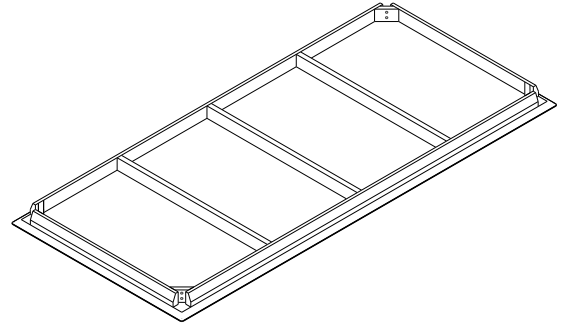
- READ THE ASSEMBLY INSTRUCTIONS BEFORE INSTALLATION AND CAREFULLY FOLLOW THE INSTRUCTIONS GIVEN.
- SEEK THE ADVICE OF A PROFESSIONAL IF YOU ARE NOT FAMILIAR WITH THESE INSTALLATIONS OR HAVE ANY DOUBTS ABOUT THE SAFETY OF THIS INSTALLATION.



- IT IS ADVISABLE TO DO THIS ASSEMBLY WITH MINIMUM OF 2 PERSONS.



PARTS TO ASSEMBLE



A TABLE TOP 1piece

| CODE | DESCRIPTION |
|--------------------------|---------------------------|
| NATURAL FINISHING | |
| P0981 | TABLE TOP 140x80 |
| P0982 | TABLE TOP 160x80 |
| P0983 | TABLE TOP 180x90 |
| P0984 | TABLE TOP 200x95 |
| P0985 | TABLE TOP 220x95 |
| P0987 | TABLE TOP 240x100 |
| BROWN FINISHING | |
| P1093 | TABLE TOP - BROWN 140x80 |
| P1094 | TABLE TOP - BROWN 160x80 |
| P1095 | TABLE TOP - BROWN 180x90 |
| P1096 | TABLE TOP - BROWN 200x95 |
| P1097 | TABLE TOP - BROWN 220x95 |
| P1098 | TABLE TOP - BROWN 240x100 |

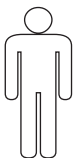
B LEGS (INTERCHANGEABLE) 4pieces

| CODE | DESCRIPTION |
|--------------------------|----------------------------------|
| NATURAL FINISHING | |
| P0980 | LEG FOR 80, 90, 95 DEPTH |
| P0986 | LEG FOR 100 DEPTH |
| BROWN FINISHING | |
| P1099 | LEG - BROWN FOR 80, 90, 95 DEPTH |
| P1100 | LEG - BROWN FOR 100 DEPTH |

SYMBOLS

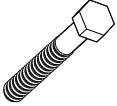




DIRECTION



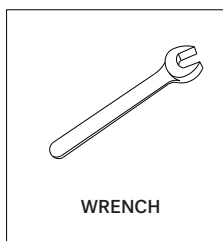
NUMBER OF PERSONS NEEDED

HARDWARE ENCLOSED

| | | |
|--|---|--|
|  H0976 HEXAGON SCREW M4/16"x100 (8pcs) |  H0098 WASHER M8 (8pcs) |  H0764 SPRING WASHER M8 (8pcs) |
|--|---|--|

TOOL REQUIRED

(Not included in package)



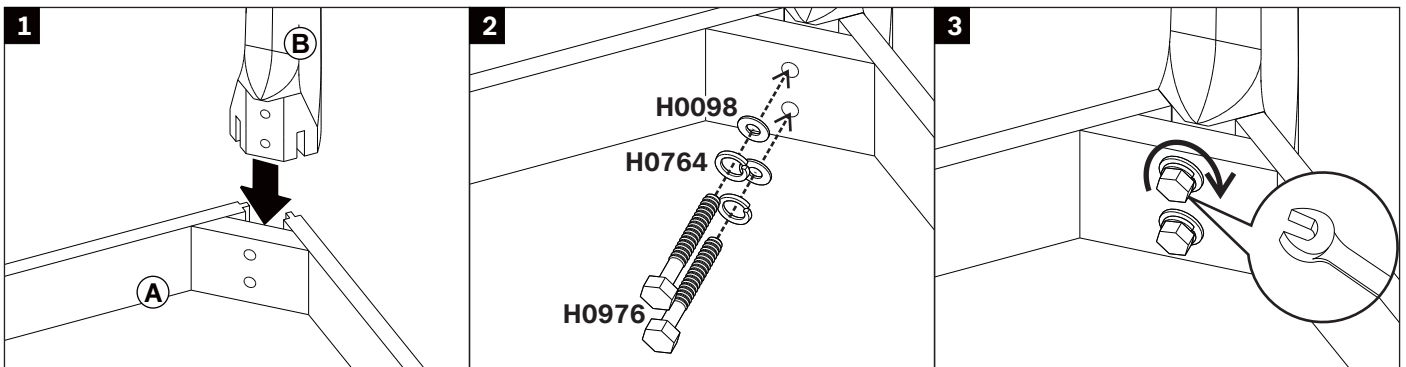
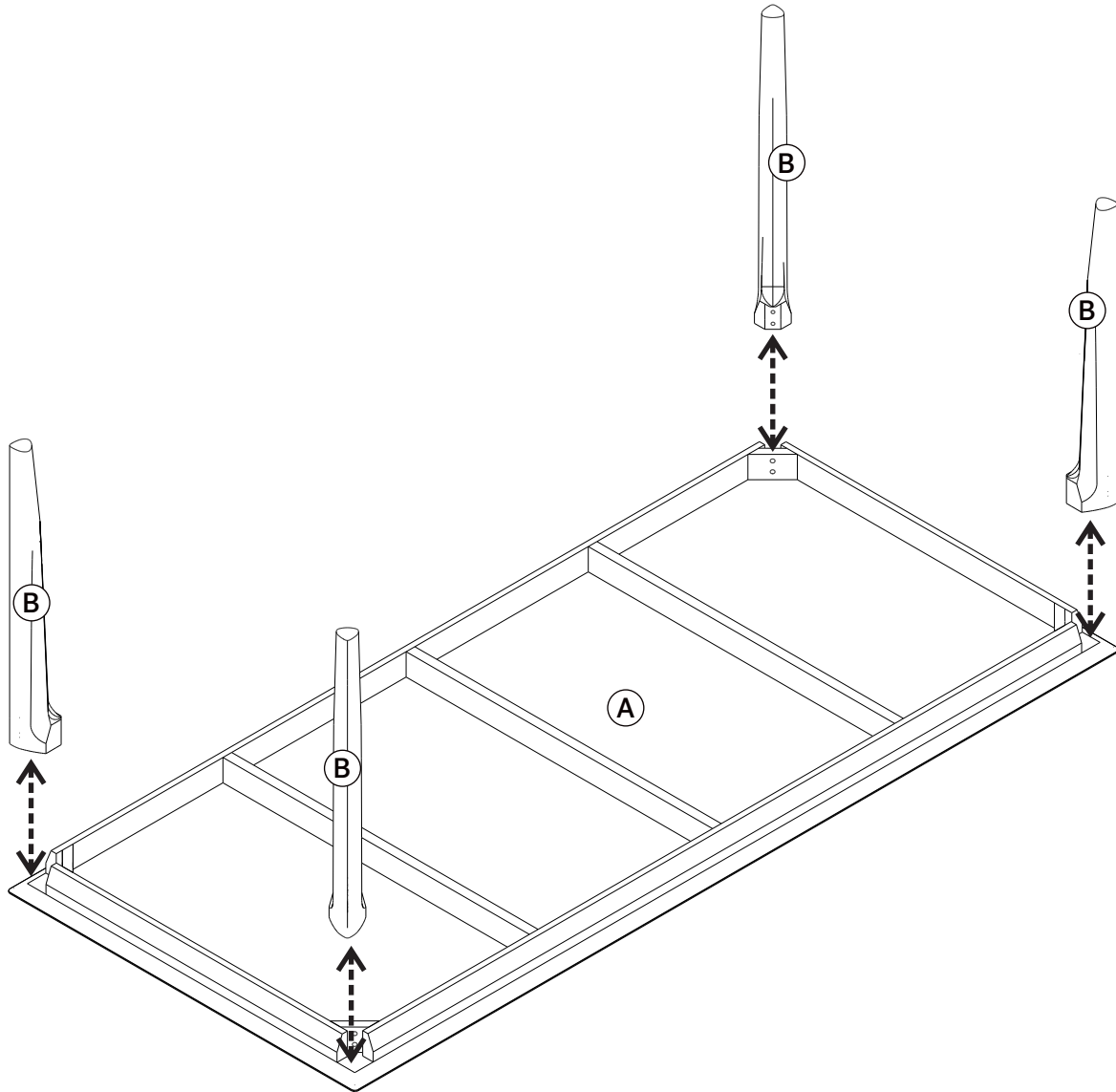
USE HAND



USE WRENCH TO TIGHTEN

TEAK BOK DINING TABLE ASSEMBLY INSTRUCTIONS FOR DINING TABLE INSTALLATION

CONNECTING LEGS TO TABLE TOP

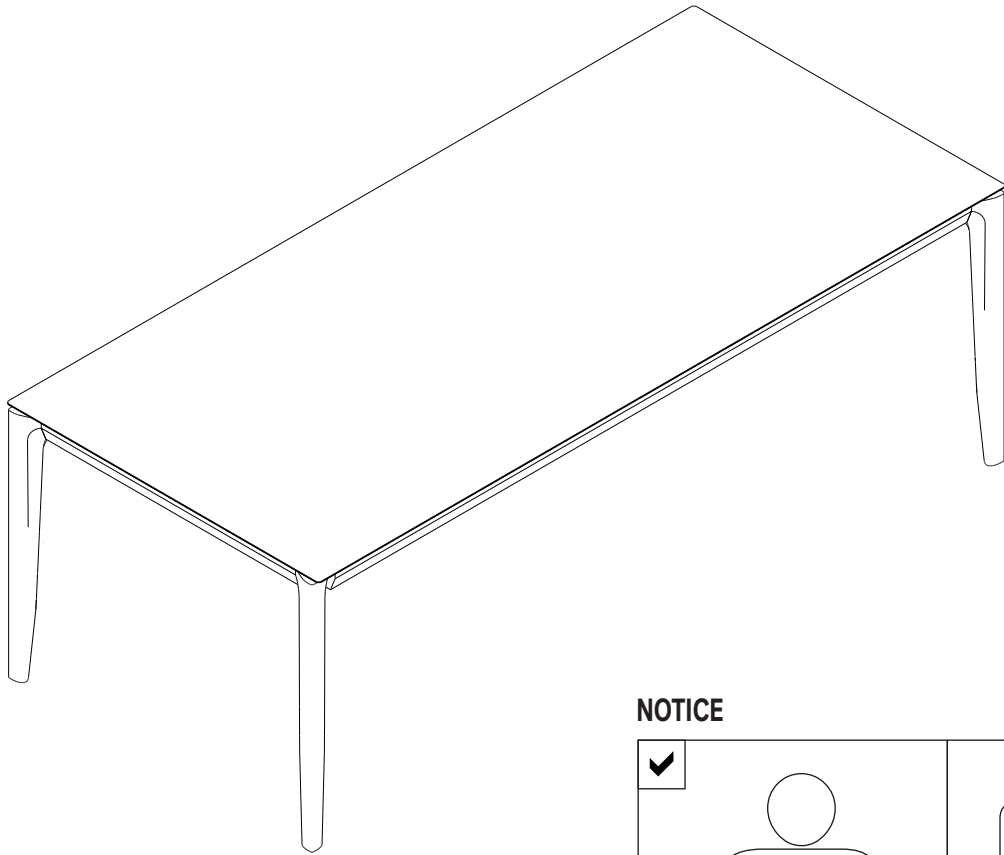
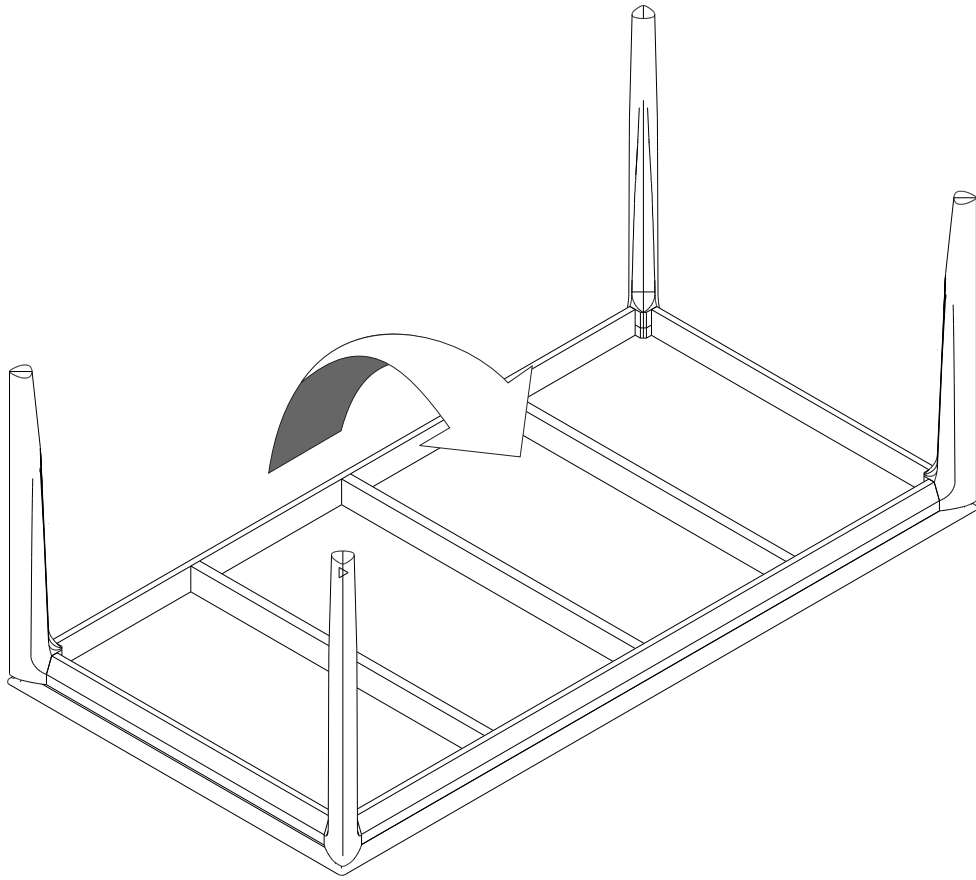


- DO NOT TIGHTEN SCREWS TOO MUCH INITIALLY
- TO BE CHECKED AND RE-ADJUSTED AFTER 15 DAYS OF USE
- REPEAT STEPS 1-3 ON REMAINING LEGS

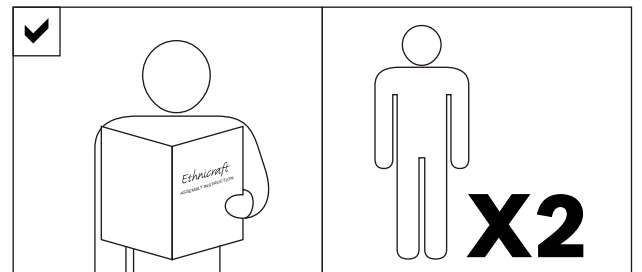


TEAK BOK DINING TABLE ASSEMBLY INSTRUCTIONS FOR DINING TABLE INSTALLATION

FINISH



NOTICE

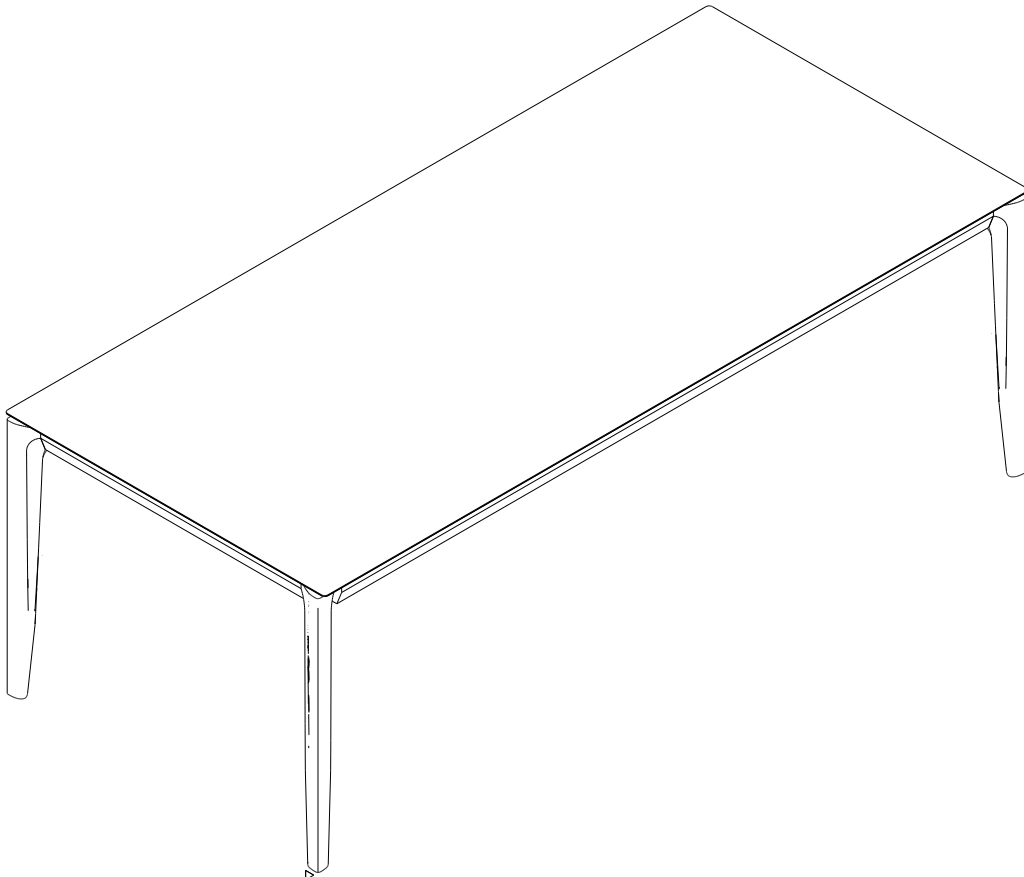


Ethnicraft

ASSEMBLY INSTRUCTIONS FOR TABLE INSTALLATION

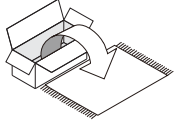
OAK BOK DINING TABLE

| CODE | DESCRIPTION |
|--------------------------|---------------------------------------|
| NATURAL FINISHING | |
| 51495 | OAK BOK DINING TABLE 160/80/76 |
| 51496 | OAK BOK DINING TABLE 180/90/76 |
| 51497 | OAK BOK DINING TABLE 200/95/76 |
| 51498 | OAK BOK DINING TABLE 220/95/76 |
| 51499 | OAK BOK DINING TABLE 240/100/76 |
| 51500 | OAK BOK DINING TABLE 140/80/76 |
| BLACK FINISHING | |
| 51505 | OAK BOK BLACK DINING TABLE 160/80/76 |
| 51506 | OAK BOK BLACK DINING TABLE 180/90/76 |
| 51507 | OAK BOK BLACK DINING TABLE 200/95/76 |
| 51508 | OAK BOK BLACK DINING TABLE 220/95/76 |
| 51509 | OAK BOK BLACK DINING TABLE 240/100/76 |
| 51511 | OAK BOK BLACK DINING TABLE 140/80/76 |
| BROWN FINISHING | |
| 51555 | OAK BOK BROWN DINING TABLE 140/80/76 |
| 51556 | OAK BOK BROWN DINING TABLE 160/80/76 |
| 51557 | OAK BOK BROWN DINING TABLE 180/90/76 |
| 51558 | OAK BOK BROWN DINING TABLE 200/95/76 |
| 51559 | OAK BOK BROWN DINING TABLE 220/95/76 |
| 51560 | OAK BOK BROWN DINING TABLE 240/100/76 |



OAK BOK DINING TABLE ASSEMBLY INSTRUCTIONS FOR DINING TABLE INSTALLATION

NOTE



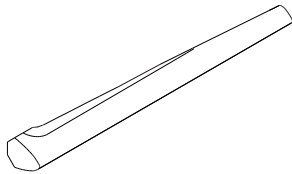
- CAREFULLY OPEN THE CARTON,
- REMOVE CONTENTS AND LAY OUT ON CARPET OR THE PACKAGING CARTON BOX OR OTHER PROTECTIVE SURFACE TO AVOID DAMAGE.
- CHECK PACKAGE CONTENTS TO ASSURE ALL THE NECESSARY HARDWARE AND PARTS ARE RECEIVED UNDAMAGED.
- DO NOT USE DAMAGE OR DEFECTIVE PARTS/HARDWARE.
- CONTACT ETHNICRAFT FOR ANY MISSING PART AND /OR HARDWARE.



- READ THE ASSEMBLY INSTRUCTION BEFORE INSTALLATION AND CAREFULLY FOLLOW THE INSTRUCTION GIVEN.
- SEEK THE ADVICE OF A PROFESSIONAL IF YOU ARE NOT FAMILIAR WITH THESE INSTALLATIONS OR HAVE ANY DOUBTS ABOUT THE SAFETY OF THIS INSTALLATION.



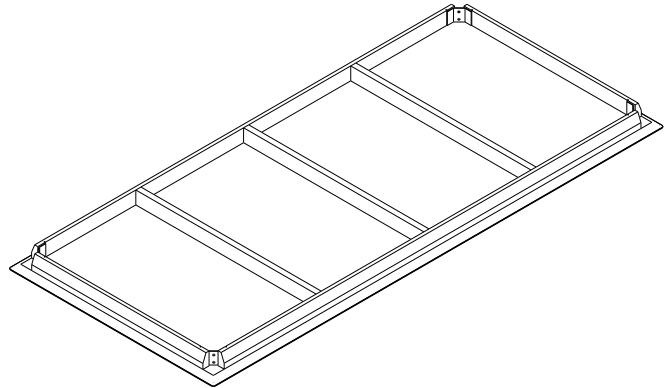
- IT IS ADVISABLE TO DO THIS ASSEMBLY WITH MINIMUM OF 2 PERSONS.



(B) LEG 4 pieces

| CODE | DESCRIPTION |
|--------------------------|----------------------------------|
| NATURAL FINISHING | |
| P4678 | LEG FOR 80, 90, 95 DEPTH |
| P4651 | LEG FOR 100 DEPTH |
| BLACK FINISHING | |
| P4685 | LEG - BLACK FOR 80, 90, 95 DEPTH |
| P4691 | LEG - BLACK FOR 100 DEPTH |
| BROWN FINISHING | |
| P4800 | LEG - BROWN FOR 80, 90, 95 DEPTH |
| P4801 | LEG - BROWN FOR 100 DEPTH |

PARTS TO ASSEMBLE



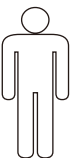
(A) TABLE TOP 1piece

| CODE | DESCRIPTION |
|--------------------------|---------------------------|
| NATURAL FINISHING | |
| P4680 | TABLE TOP 160x80 |
| P4681 | TABLE TOP 180x90 |
| P4471 | TABLE TOP 200x95 |
| P4682 | TABLE TOP 220x95 |
| P4683 | TABLE TOP 240x100 |
| P4679 | TABLE TOP 140x80 |
| BLACK FINISHING | |
| P4687 | TABLE TOP - BLACK 160x80 |
| P4555 | TABLE TOP - BLACK 180x90 |
| P4688 | TABLE TOP - BLACK 200x95 |
| P4689 | TABLE TOP - BLACK 220x95 |
| P4690 | TABLE TOP - BLACK 240x100 |
| P4686 | TABLE TOP - BLACK 140x80 |
| BROWN FINISHING | |
| P4794 | TABLE TOP - BROWN 140x80 |
| P4795 | TABLE TOP - BROWN 160x80 |
| P4796 | TABLE TOP - BROWN 180x90 |
| P4797 | TABLE TOP - BROWN 200x95 |
| P4798 | TABLE TOP - BROWN 220x95 |
| P4799 | TABLE TOP - BROWN 240x100 |

SYMBOLS



DIRECTION



NUMBER OF PERSONS NEEDED

HARDWARE ENCLOSED

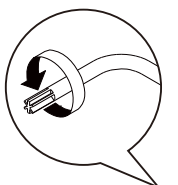
| | |
|---|--|
| <p>H0689 SPAX SCREW M6x80 (8pcs)</p> | <p>H0383 WASHER M8 (8pcs)</p> |
|---|--|

TOOL (Included in packaged)

| |
|--|
| <p>H0893 TORX ALLEN KEY (1pc)</p> |
|--|



USE HAND

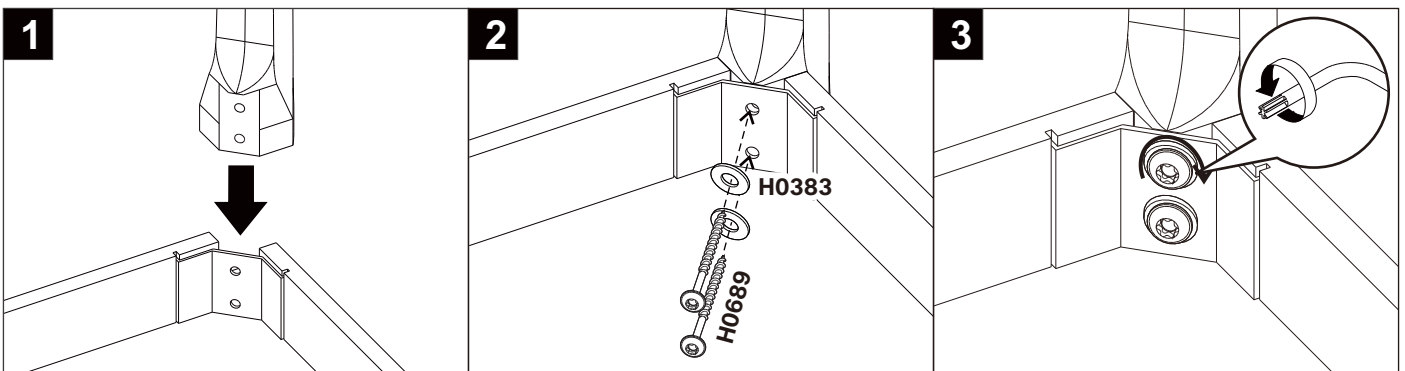
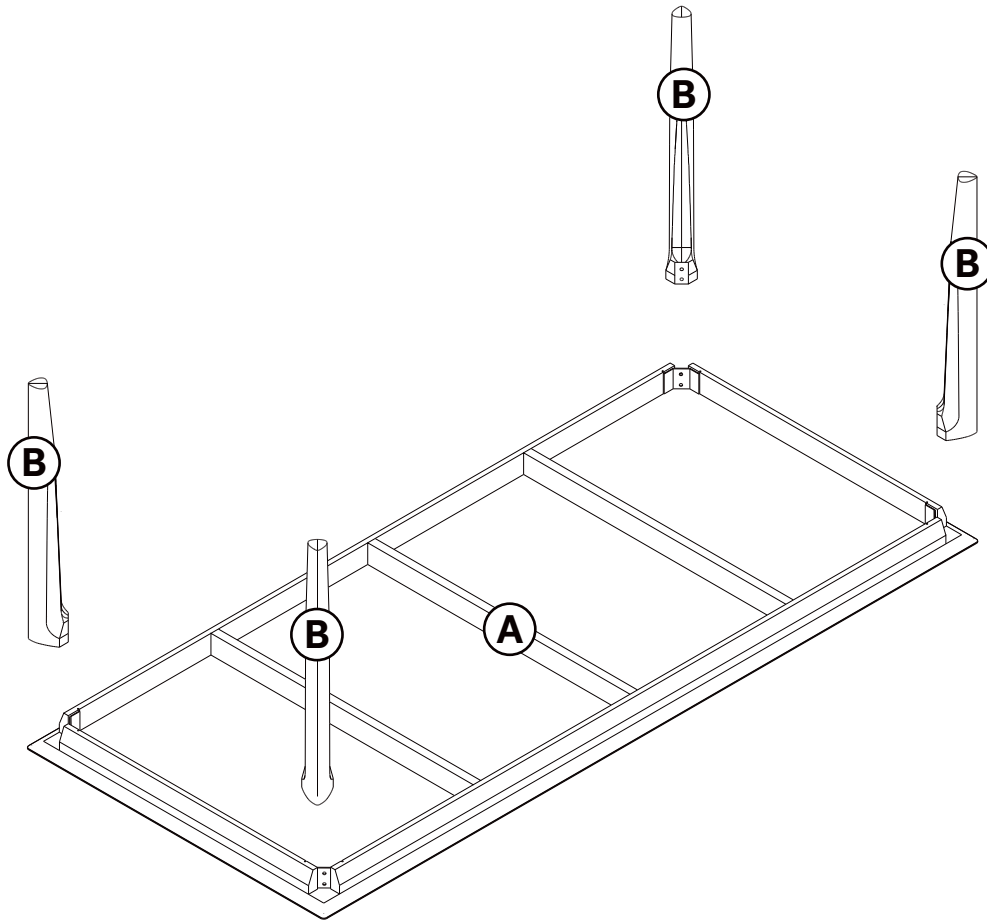


USE TORX ALLEN KEY TO TIGHTEN

OAK BOK DINING TABLE

ASSEMBLY INSTRUCTIONS FOR DINING TABLE INSTALLATION

CONNECTING THE LEGS AND THE TABLE TOP



- ! - REPEAT STEP 1 TO STEP 3 FOR OTHER LEGS
- NOT TO TIGHT (TO BE RE-TIGHTRNEED AFTER 15 DAYS)