

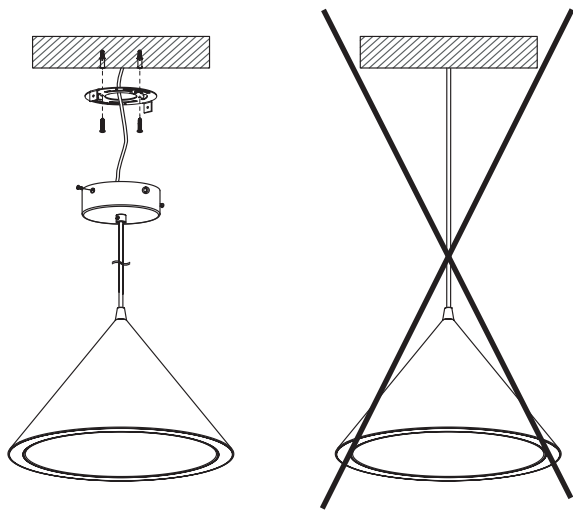
ANNULAR

ASSEMBLY INSTRUCTION

W0UD

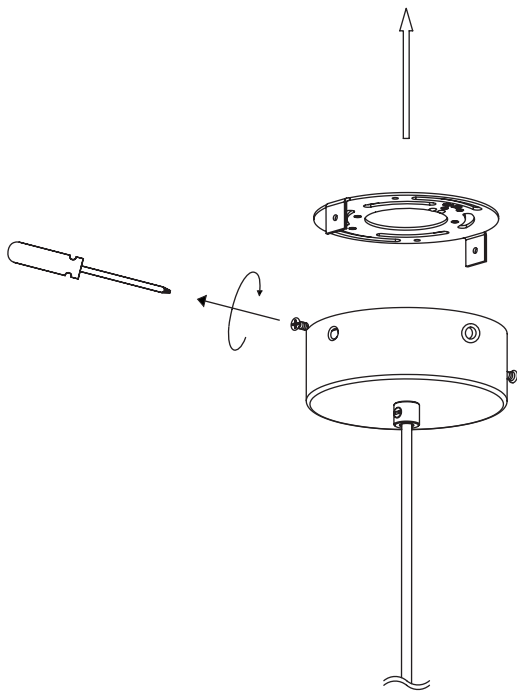
IMPORTANT!

DO **NOT** REMOVE CANOPY TO HANG PENDANT DIRECT FORM CEILING. THE LED DRIVER IS IN THE CANOPY AND IT WILL NOT WORK WITHOUT.



STEP 1

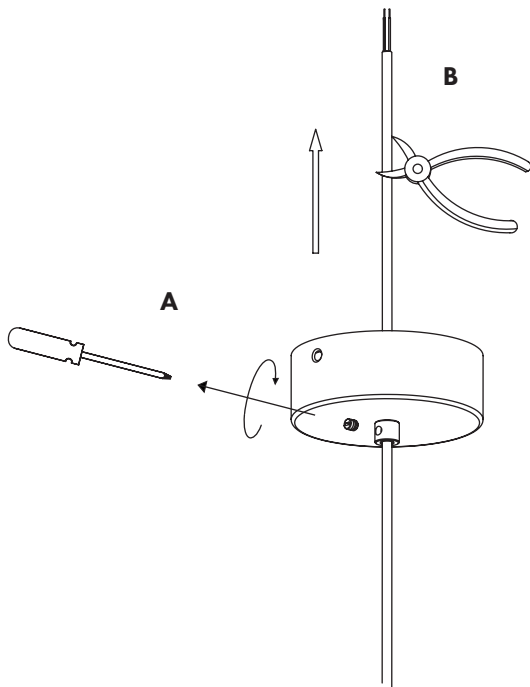
REMOVE SCREWS TO TAKE OFF THE BACK OF THE CANOPY.



STEP 2

A: REMOVE SCREWS.

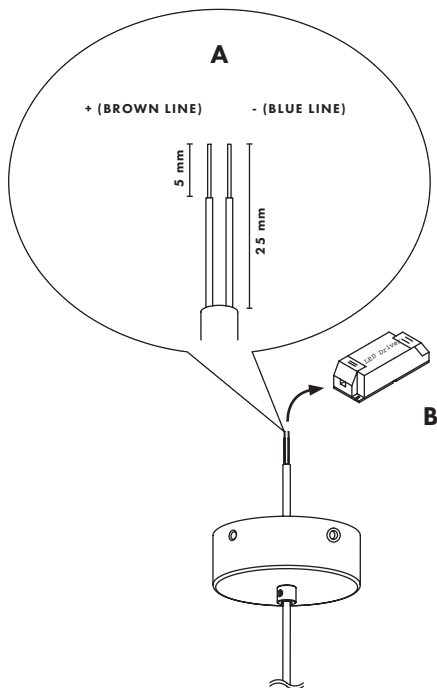
B: PULL WIRE AND CUT IN DESIRED LENGHT.



STEP 3

A: REMOVE PLASTIC FROM WIRE.

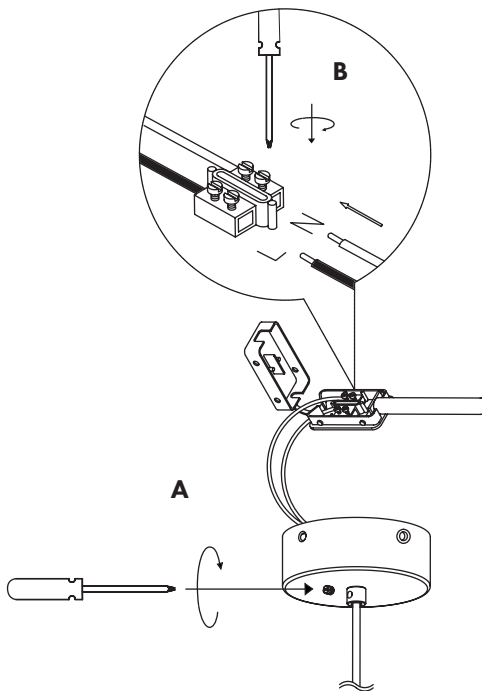
B: WIRE IS NOW READY TO BE CONNECTED TO LED DRIVER.



STEP 4

A: TIGHTEN SCREW.

B: CONNECT WIRES IN LED DRIVER.



STEP 5

A: MOUNT THE CANOPY BRACKET USING WALL PLUGS AND SCREWS.

B: TIGHTEN SCREWS IN CANOPY.

