

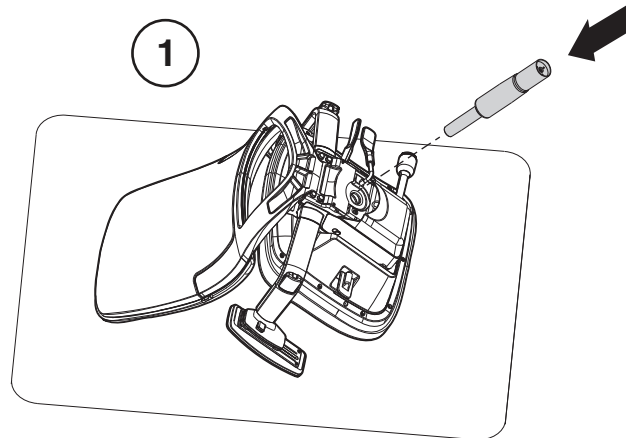


Scan this QR code to watch an Amia / Amia Air assembly tutorial



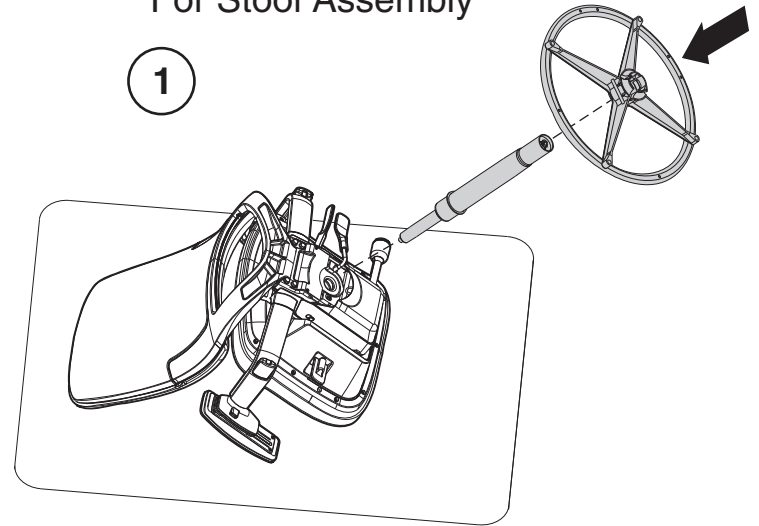
For Chair Assembly

1

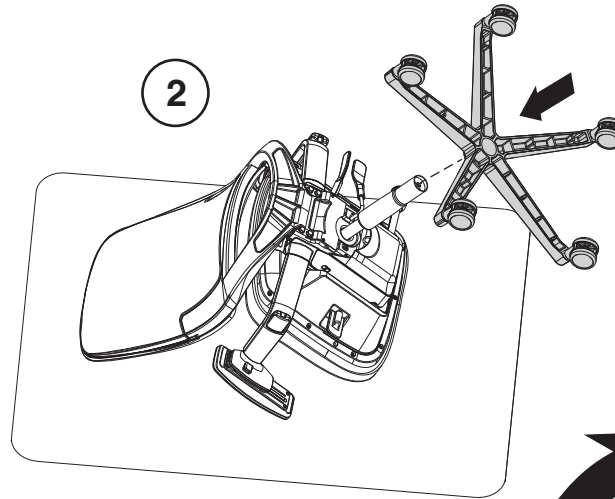


For Stool Assembly

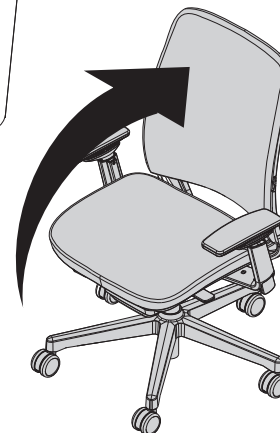
1



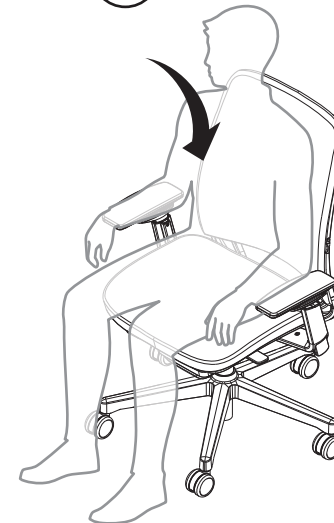
2



3



4



**Note:**  
Sit in chair to securely lock components together and complete assembly.