

T-3744

493037442

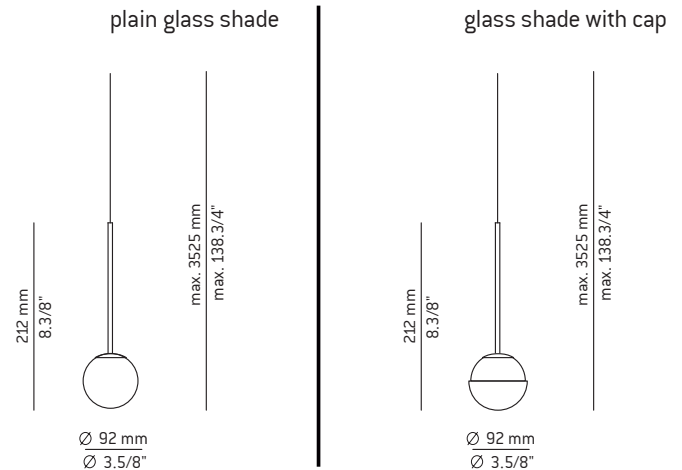
Metallic suspension lamp with integral LED and adjustable height.  
Can be mounted with plain glass shade or glass shade with cap.

Lámpara de suspensión metálica con LED integrado y altura regulable.  
Se puede instalar con pantalla de cristal o pantalla de cristal con tapa.



## Warning

PRODUCT IS TO BE INSTALLED BY A QUALIFIED ELECTRICIAN ONLY.  
LE PRODUIT DOIT ÊTRE INSTALLÉ PAR UN ÉLECTRICIEN QUALIFIÉ UNIQUEMENT.  
EL PRODUCTO DEBE SER INSTALADO SOLO POR UN ELECTRICISTA CUALIFICADO.



**The light source of this luminaire is not replaceable. Once the light source's lifecycle ends, you must contact the manufacturer for repairs.**

**The flexible outer cable of this luminaire cannot be replaced; in the event of damage, the luminaire must be discarded or sent to the factory for repair.**

WE RECOMMEND READING THE INSTRUCTIONS ENTIRELY BEFORE STARTING YOUR INSTALLATION  
PLEASE SAVE THESE INSTRUCTIONS SO THAT YOU CAN REFER TO THEM AT A LATER TIME

- \* Do not look directly into any LED source.
- \* Make sure the power has been disconnected before installing the fixture.
- \* For indoor use.
- \* Do not use alcohol or solvents to clean the lamp.
- \* For your convenience, assembly by two people is recommended.

**La fuente de luz no es reemplazable. Cuando alcance el final de su vida, debe ponerse en contacto con el fabricante para su reparación. El cable flexible exterior de esta luminaria no puede sustituirse; en el caso de que esté dañado, la luminaria debe enviada a fábrica para su reparación.**

LE RECOMENDAMOS LEA LAS INSTRUCCIONES ANTES DE PROCEDER A LA INSTALACIÓN  
GUARDE LAS INSTRUCCIONES PARA FUTURAS REFERENCIAS

- \* No mirar directamente a los LED.
- \* Asegúrese de que la corriente está desconectada antes de conectar el aparato.
- \* Para uso en interiores..
- \* Para limpieza no utilizar alcohol ni disolventes.
- \* Recomendamos la intervención de 2 personas para el montaje de la lámpara.



## UL 1598 ELECTRICAL INSTRUCTIONS FOR FLUSHMOUNTS, WALL SCONCES AND PENDANTS

SAVE THESE INSTRUCTIONS. MIN 90C SUPPLY CONDUCTORS. CAUTION-RISK OF FIRE. USE STATED WATT OR SMALLER. CAUTION-RISK OF SHOCK. DISCONNECT POWER BEFORE SERVICING. TO REDUCE THE RISK OF A BURN DURING RELAMPING, ALLOW THE BULB TO COOL DOWN. SUITABLE FOR DAMP LOCATION. THIS PRODUCT MUST BE INSTALLED IN ACCORDANCE WITH THE APPLICABLE INSTALLATION CODE BY A PERSON FAMILIAR WITH THE CONSTRUCTION AND OPERATION OF THE PRODUCT AND THE HAZARD INVOLVED.

**WARNING:** ALL WIRES AND WIRE NUTS USED IN THE INSTALLATION MUST BE RATED 195F (90°C). FOR INDOOR USE ONLY. THESE PRODUCT MUST BE INSTALLED BY A QUALIFIED ELECTRICIAN.

## Assembly instructions / Instrucciones

1 - Unscrew the side screw (A) to remove the mounting bracket (B) from the canopy (C). Figure 1.

1 - Desenroscar el espárrago lateral (A) para liberar la sujeción (B) del tapapared (C). Figura 1.

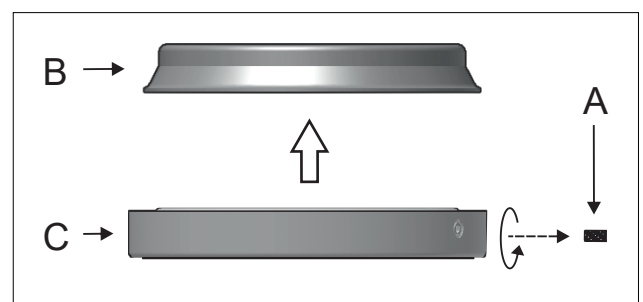


Figure 1

2 - Run the product's electrical cable (D) through the canopy and secure it with the cable holder screw (E). Figure 2.

2 - Introducir el cable de la lámpara (D) por el agujero central del tapapared y fijarlo con el sujetacables (E). Figura 2.

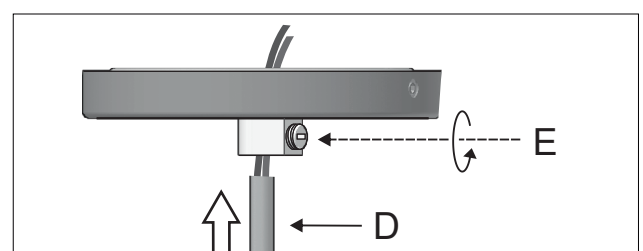


Figure 2

3 - Make the electrical connections inside the junction box. Attach the mounting bracket to the ceiling. Figure 3. See figure 4 for connection scheme.

3 - Realizar las conexiones eléctricas dentro de la caja de conexiones y fijar la sujeción al techo. Figura 3. Ver figura 4 para esquema de conexión.

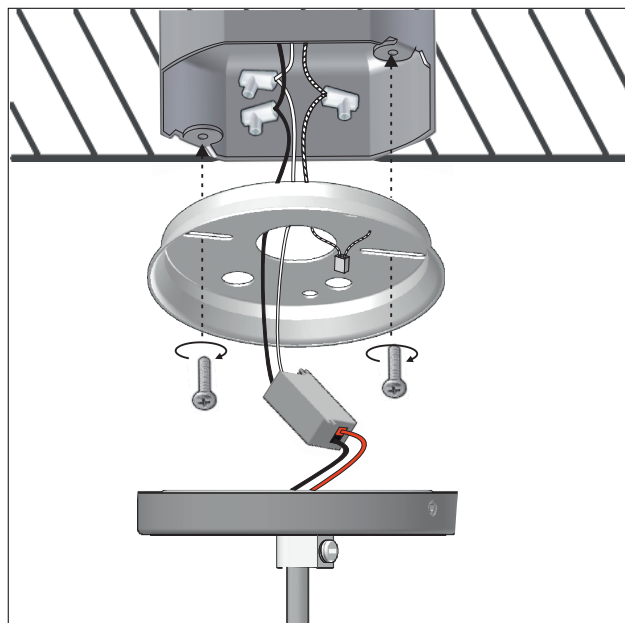


Figure 3

4 - CONNECTION SCHEME

**Attention:** Respect the polarity (+) (-). Make sure the red wire is connected to the positive symbol to avoid electrical failures. The driver (C) must be used for installation, otherwise the LEDs will burn out. Figure 4.

4 - ESQUEMA DE CONEXIÓN

**Atención:** respetar la posición de los cables positivos (+) y negativos (-) para evitar fallos eléctricos. Es imprescindible la utilización del driver (C) para la instalación de la lámpara, de lo contrario, el LED se quemará. Figura 4.

- |                      |                          |
|----------------------|--------------------------|
| A → Lamp             | — → Positive cable (+)   |
| B → Canopy           | - - → Negative cable (-) |
| C → Driver           | - - → Neutral cable (N)  |
| D → Mounting bracket | - - → Live cable (L)     |
|                      | ... → Ground cable (G)   |

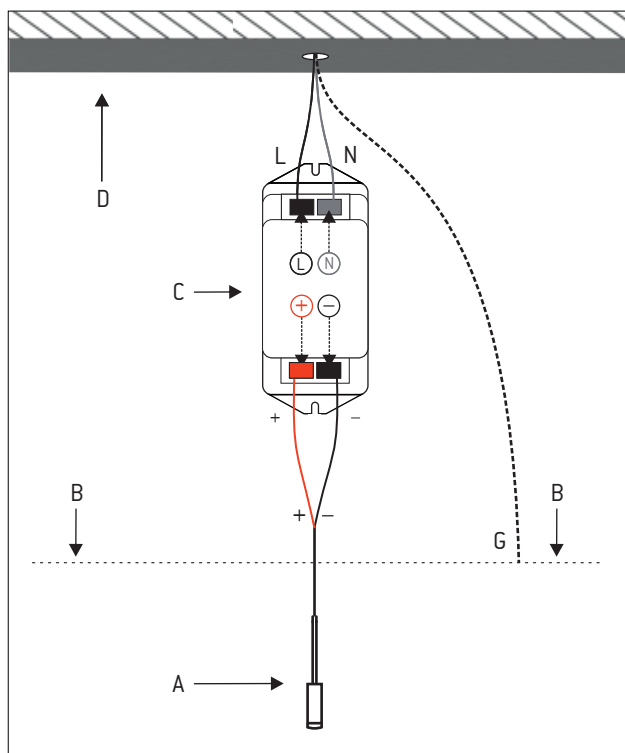


Figure 4

5 - Place the canopy back (C) and fasten the side screw (A) previously removed. Figure 5.

5 - Colocar de nuevo el tapapared (C) y roscar el esparrago lateral (A) retirado previamente. Figura 5.

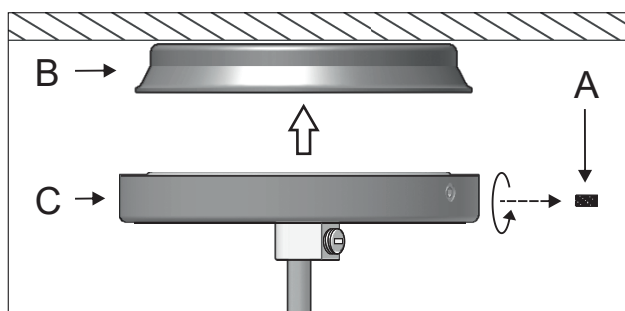


Figure 5

2- Screw the glass shade (a) to the mounting bracket (B).  
Figure 2.

2 - Roscar la pantalla de cristal (a) a la sujeción (B).  
Figura 2.

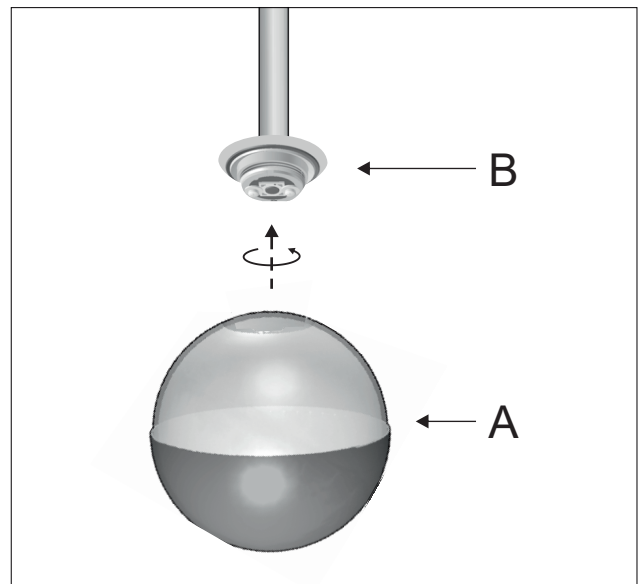


Figure 2