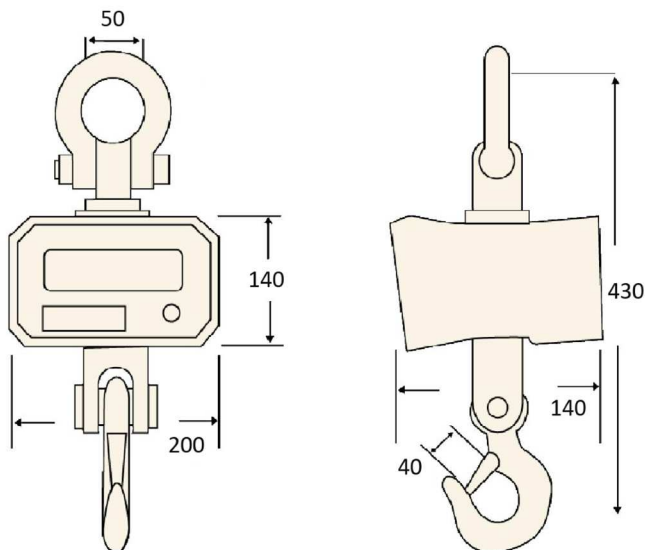


# COMANCHE®

## ELECTRONIC CRANE SCALE

### FEATURES

- Up to 1/7,500 display resolution
- Auto zero point tracking
- Tare Function
- Low power & changing status indication
- Remote control: workable distance up to 20 meters
- Red LED Display



Outline Dimension (mm)



### SPECIFICATIONS

|          |              |              |
|----------|--------------|--------------|
| Art No.  | CMCS-2122    | CMCS-2122    |
| Item No. | 01CM-D-CR001 | 01CM-D-CR002 |
| Capacity | 1T x 500g    | 2T x 1000g   |