

# HTY511DH

Product Family	Dishwasher
Subfamily	Hoodtype dishwasher
Series	Topline
Basket dimensions	500x500 mm
Default power supply	400 V 3N~ / 16 A / 9,7 kW / 50 Hz
Width	620 mm
Depth	745 mm
Height	1530 mm
Maximum height with hood open	2102 mm
Usable load height	440 mm



## Target

Potential users	Bars/Cafes; Hotels; Restaurants/Catering; Butcher's shops; Schools; QSR
-----------------	--

## Aesthetics

Control Panel	Electronic	Led colour	White
---------------	------------	------------	-------

## Functions



Functions	GN 1/1 trays washing; Triple filter; SHR+; HTR; Door clearance 440mm
-----------	--

## Programmes

### Programs

Boiler 71°C/Tank 60°C-1'20"	Boiler 85°C/Tank 60°C-1'10"	Boiler 85°C/Tank 60°C-2'
Boiler 85°C/Tank 60°C-3'	Boiler 71°C/Tank 60°C-2'10"	Boiler 85°C/Tank 60°C-4'10"
Drain and self cleaning cycle	Yes	
Maximum baskets/hour	51	

Maximum plates/hour 918

## Interface

Panel	Easyline 2016	Low detergent alert	Yes
Display	8 digit	Cycle progress indicator	Yes
Number of buttons	5	End of cycle indicator	Yes
On/off indicator	Yes	Manual diagnostics	Yes
Low rinse aid alert	Yes		

## Construction

Tank	Deep drawn	Hood	Double skinned
Tank construction	Double skinned	Wash tank capacity	14 l
Tank material	Stainless steel AISI 304	Boiler capacity	8 l
Back panel	Galvanised	Noise level	Lpa 59.9 dBA
Counter balanced door	Yes	Protection class	IPX4
Tank filter	Stainless steel	Net weight (kg)	136.000 kg
Wash arm	Stainless steel AISI 304	Adjustable feet	95 mm
Rinse arm	Stainless steel AISI 304	Drain max. height	1000 mm

## Consumption and connections

Tank heating element	2200 W	Water consumption per cycle	3,2 l
Boiler heating element	9000 W	Warm water connection	Cold 15°C
Wash pump	700 W	Inlet water maximum temperature	60°C
Default connection	9700 W	Max water hardness	12°fH - 7°dH
Electrical connection options	230 V~ / 29 A / 6,7 kW / 50 Hz; 400 V 3N~ / 13 A / 6,7 kW / 50 Hz	Water inlet pressure	1-6 bar / 100-600 kPa

## Electrical Connection

Plug Not present

## Manuals and Certifications

Certificate CE

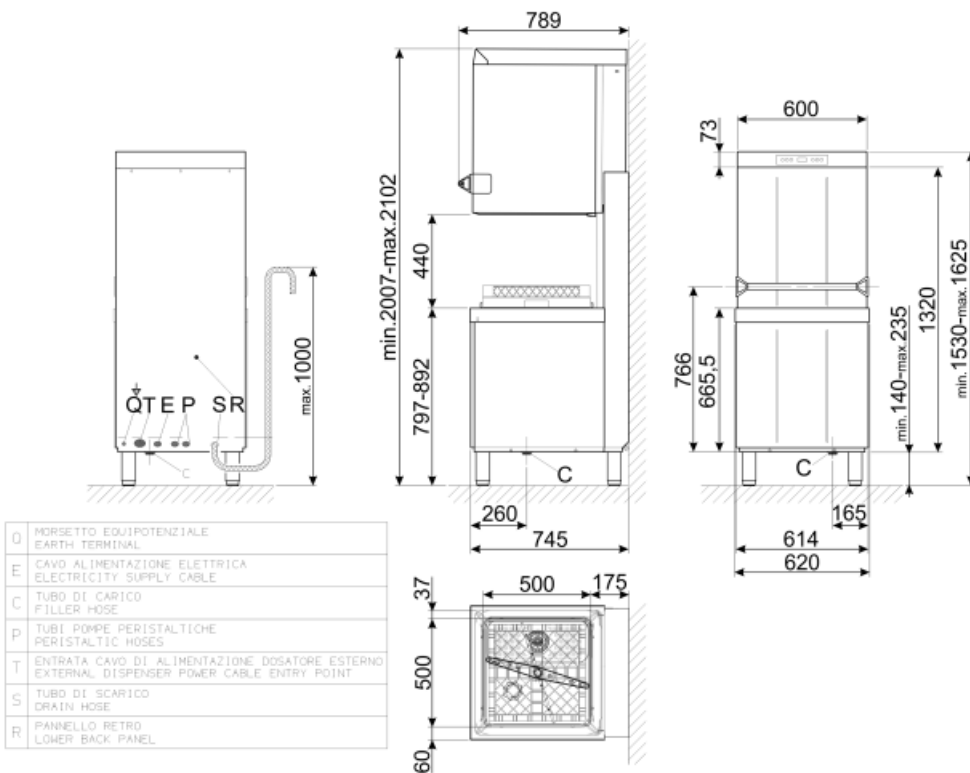
## Equipment

Peristaltic detergent pump	Yes, electronic control	Drain pump with 3 stage filter system	Yes
Detergent (red) hose length	Yes, manual	Rinse pump with H.T.R. system	Rinse pump with atmospheric boiler
		Break tank	Yes

<b>Peristaltic rinse aid pump</b>	Yes, electronic control	<b>Partial water exchange in the wash tank via built-in drain pump</b>	Yes
<b>Detergent flow rate</b>	1.5 l/h	<b>SHR system</b>	Yes
<b>Rinse aid (blue) hose length</b>	Yes, manual	<b>Water supply pipe diameter</b>	16 mm
<b>Rinse aid flow rate</b>	0.4 l/h	<b>Drain supply pipe diameter</b>	21.5 mm
<b>Soft Start</b>	Yes	<b>Automatic start</b>	Yes
<b>Boiler thermostop</b>	Yes	<b>Chemical level probe</b>	Yes, optional KITSONLIV
<b>Cycle counter</b>	Yes	<b>1/1GN tray washing option</b>	Yes
<b>Chemical dosing</b>	gr/lt		

## Accessories Included

<b>Plate basket</b>	PB50D01	<b>Water supply pipe</b>	Yes - 2m
<b>Cutlery basket</b>	PHOOS02	<b>Drain pipe</b>	Yes - 2m
<b>Flat basket</b>	PB50G02		



## Not included accessories



**WT5700SR**

Entry table right side 700mm



**WH00C01**

Wire insert for cups



**WTX51200**

Exit table both sides 1200mm



**WT51200SR**

Entry table right side 1200mm



**PHOOS03**

Basket in polypropylene with 6 compartments for cutlery for Capote



**KITSONLIV**

Probe level kit



**WT5700SL**

Entry table left side 700mm

**WG4646**

Grid for light objects, 460x460 mm



**WT51200SHL**

Entry table left side 1200mm



**WH00S01**

Wire insert for 12 small dishes



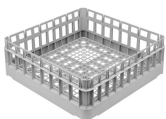
**PHOOS01**

Single basket in polypropylene for cutlery



**WTX5700R**

Exit table right side 700mm



**PB50G02**

Universal basket in polypropylene 500x500



**WB50T02**

Wire basket for 5 trays 600x500



**WTX51200L**

Exit table left side 1200mm



**WT51200SHR**

Entry table right side 1200mm



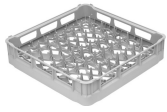
**WB50G01**

Universal wire basket with flat bottom 500x500



**WT51200SL**

Entry table left side 1200mm



**PB50D01**

Basket made of polypropylene for 18 plates  
500x500



**WB50G02**

Wire basket for glasses with inclined  
bottom 500x500



**WTX51200R**

Exit table right side 1200mm



**WB50G04**

Wire basket for glasses with inclined  
bottom 500x500



**WTX5700**

Exit table both sides 700mm



**PHOOS02**

Basket in polypropylene for cutlery  
with 6 compartments



**WB50D01**

Wire basket for 18 dishes and trays  
500x500



**WB50G03**

Wire basket for glasses with inclined  
bottom 500x500



**WTX5700L**

Exit table left side 700mm

## Symbols glossary

---



Suitable for 1/1GN trays



HTR rinsing system



STEAM HEAT RECOVERY SYSTEM



Triple filter



Max. usable height 440mm