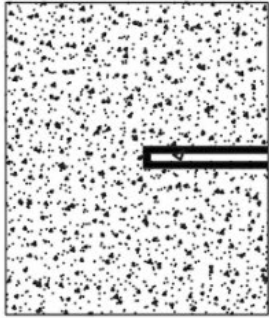


METAL FLOATING SHELF WALL PREPARATION

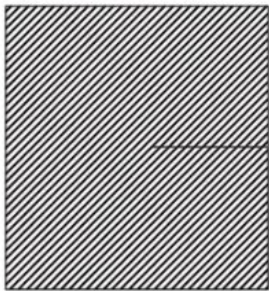
Before you install your shelf it is important to assess your wall and what screws are required. Screws/ wall preparation items may need to be purchased. If you are unsure about installation, please have a professional install the product for safety and stability.



BRICK / CONCRETE WALL

A connector plug should always be used for a brick or concrete wall. We have provided screws and a connector. Please ensure they are suitable for your type of brick/concrete wall. Some buildings have thinner brick/concrete walls and special plugs may be required.

Please always consult a professional or your local hardware store.



STUD / WOOD WALLS

A wood screw is required to screw directly into a wood wall or wood stud in a plasterboard wall. Please note the standard screws provided are not suitable.

Please always consult a professional or your local hardware store.



PLASTERBOARD WALLS (NO STUD)

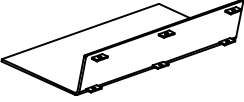
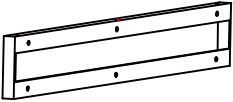

A plasterboard connector plug is required for all plasterboard walls. You can find these at your local hardware store. Please note the standard connector plugs provided are not suitable.

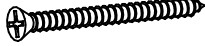



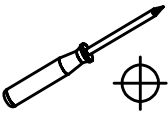
Please always consult a professional or your local hardware store.



ASSEMBLY INSTRUCTIONS

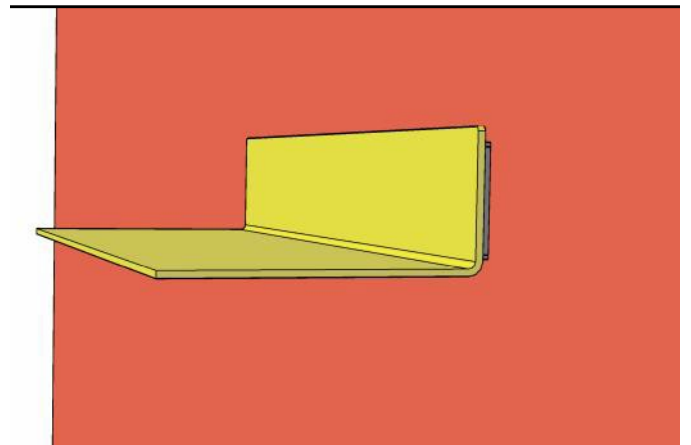
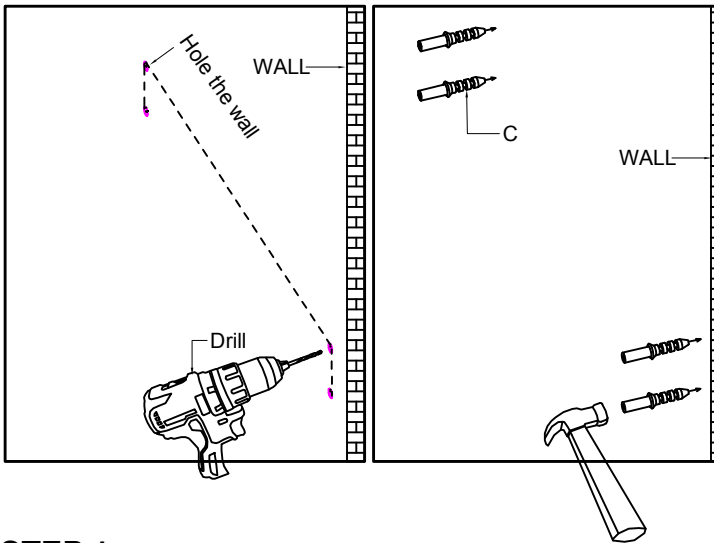
METAL SHELF

CODE	PICTURE	DESCRIPTION	QTY
A		SHELF	1
B		BRACKET	1
C		CONECTOR For brick/concrete only.	4

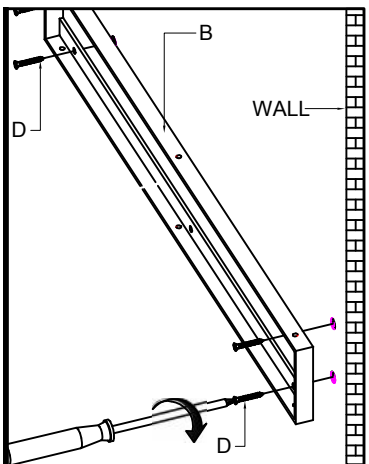
CODE	PICTURE	DESCRIPTION	QTY
D		SCREW 40MM To be screwed into "C" connector for brick or concrete wall only.	4
E		SCREW 10MM	4
TOOLS			
			

PREPARATION STEP- FOR BRICK/CONCRETE WALL

*drill hole and insert connectors to wall

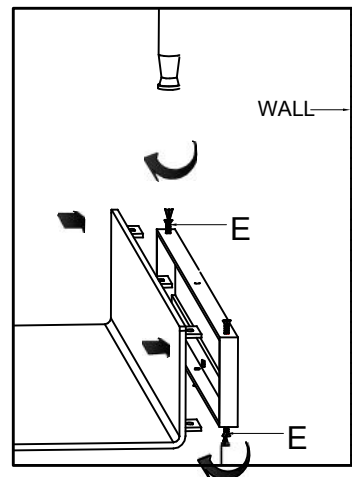


STEP 1



Position bracket to wall at desired location and fix bracket to wall with screws.
*Use screws required depending on wall type.

STEP 2



Position shelf metal holes at rear over the bracket holes and screw in 4 screws to top and bottom.