

**TECHNICAL FILE**

**PRODUCT RANGE:** Easy Handle

**CODE:** EH-STA-PP-BX

**DESCRIPTION:** Shower stool

**PRODUCT FEATURES:**

The Shower Stool is designed for those who want increase their comfort while carrying out different hygiene operations. The ergonomically designed surface area of the seat reduces pressure, increasing user comfort. The anti-slip pattern of the seat surface prevents sliding during the hygiene operation to ensure maximum safety. The 4 legs are adjustable in height to better fit with the user needs. The seat is made of polypropylene offering durability, strength and warmth. The frame is made of anodized aluminum to ensure the best resistant against corrosion. All the surfaces are easy to clean.

**MECHANICAL PERFORMANCE:**

Max user weight 120 kg; 264 lbs.

**CERTIFICATIONS:**

CE Declaration of conformity of the European Directive for Medical Device 93/42 CEE.

**APPLICABLE NORMS:**

UNI EN 12182; UNI CEI EN ISO 14971; UNI EN 1041.

**MAINTENANCE:**

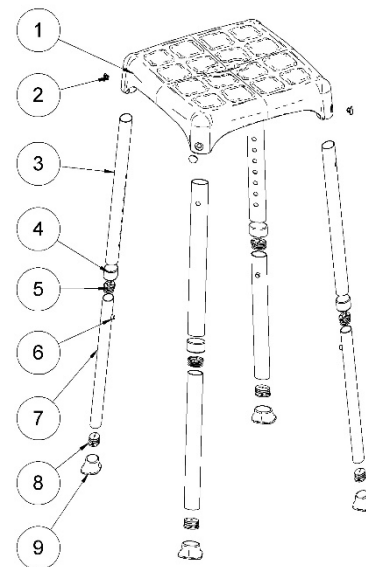
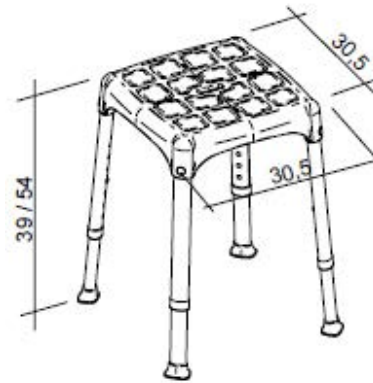
Periodically check that fixing fittings are conform to initial mounting.  
Clean with water and non-aggressive detergent.  
Do not use abrasive or corrosive products.

**PRODUCT PACKAGING:**

Box dimensions: 308.5x75X317 mm.

**PRODUCT COMPONENTS**

| COMPONENTS    | Q.TY | MATERIAL             | REFERENCE |
|---------------|------|----------------------|-----------|
| Seat          | 1    | Polypropylene 30% GF | 1         |
| External tube | 4    | Anodized aluminum    | 3         |
| Internal tube | 4    | Anodized aluminum    | 7         |
| Sliding parts | 4    | Polyethylene         | 4/5       |
| Spring        | 4+4  | Stainless steel      | 6         |
| Plastic pin   | 4    | Polypropylene        | 2         |
| Plastic caps  | 4    | Polypropylene        | 8         |
| Rubber caps   | 4    | TPR                  | 9         |



The above data cannot be binding. K design S.r.l. reserves itself the right to make technical or aesthetic modifications without notice at any time.



**K design s.r.l.**

Sede Legale ed Amministrativa: Galleria Goito, 18 - 19121 - La Spezia - ITALY

Sede Operativa: Via Vincinella, Loc. Ghiarettolo - 19037 - La Spezia - ITALY

(t) +39 0187 1987200 - (f) +39 0187 1987229 - (e) info@kdesign-group.com

Cap. Soc. € 10.000,00 i.v. – Cod. Fisc. e P.IVA IT01315780112 – R.I. SP 01315780112 – REA: 118371