

**TECHNICAL FILE**

**PRODUCT RANGE:** Easy Handle.

**CODE:** EH-WA-60-PCX; EH-WA-70-PCX; EH-WA-80-PCX;

**DESCRIPTION:**  
White Powder Coated wall mounted lift up toilet support.

**PRODUCT FEATURES:**  
The mounted lift up toilet support Easy Handle, is designed to help getting up or transferring to and from the toilet. It can be folded upwards for easy accessibility.

**MECHANICAL PERFORMANCE :**  
Max user weight 125 kg; 275lbs.

**CERTIFICATIONS:**  
CE Declaration of conformity of the European Directive for Medical Device 93/42 CEE.

**APPLICABLE NORMS:**  
UNI EN 12182; UNI CEI EN ISO 14971; UNI EN 1041.

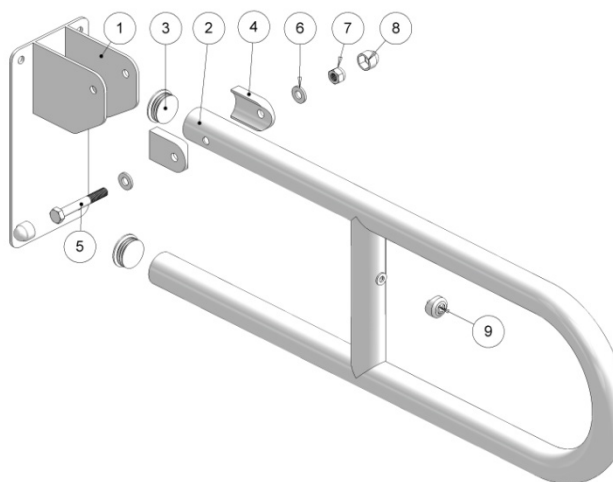
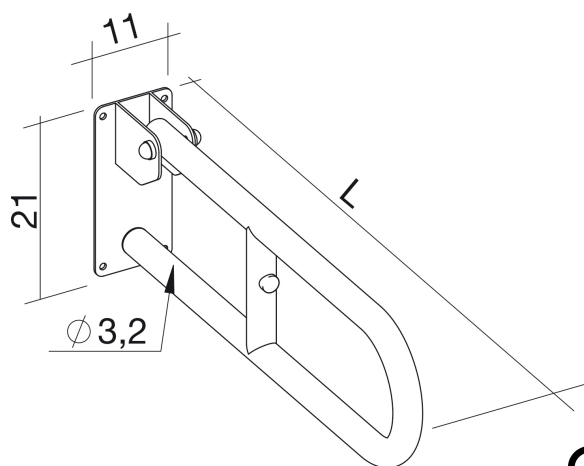
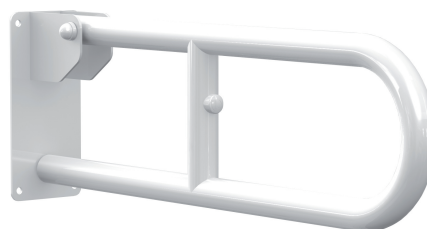
**MAINTENANCE:**  
Periodically check that fixing fittings are conform to initial mounting.  
Clean with water and non-aggressive detergent.  
Do not use abrasive or corrosive products.

**FINISHING AND DIMENSIONS:**  
Finishing: White Powder Coated.  
Dimensions:  
EH-WA-60-PCX 60 cm (L).  
EH-WA-70-PCX 70 cm (L).  
EH-WA-80-PCX 80 cm (L).

**ACCESSORIES:**  
EH-WA-PH-PCX: Powder Coated White toilet paper holder.

**PRODUCT PACKAGING:**  
Box dimensions: 215 X 136 X 815 mm.  
EH-WA-60-PCX Gross Weight: 2,435 kg Net Weight: 2,153 kg.  
EH-WA-70-PCX Gross Weight: 2,673 kg Net Weight: 2,391 kg.  
EH-WA-80-PCX Gross Weight: 2,912 kg Net Weight: 2,630 kg.

COMPONENTS	Q.TY	MATERIAL	FINISHING
N°1. Wall plate support.	1	Steel	White Powder Coated
N°2. U shape grab bar.	1	Steel	White Powder Coated
N°3. Caps.	2	PA6	-
N°4. Plastic saddle.	2	PA6	-
N°5. Screw Bolt.	1	Steel	-
N°6. Washer.	2	PA6	-
N°7. Screw Nut.	1	Steel	-
N°8. Plastic Screw nut cover.	2	PA6	-
N°9. Plastic Screw inlet Cap.	1	PA6	-



The above data cannot be binding . K design S.r.l. reserves itself the right to make technical or esthetic modifications without notice at any time.

Ref. Technical file EH-WA-60/70/80-PCX Rev. 1 del 2016/05



**K design s.r.l.**

Sede Legale ed Amministrativa: Galleria Goito, 18 - 19121 - La Spezia - ITALY  
(t) +39 0187 1987200 - (f) +39 0187 1987229 - (e) info@kdesign-group.com  
Cod. Fisc. e P.IVA IT01315780112 – R.I. SP 01315780112 – REA: 118371