

— Instruction Manual —

VB21, VB22, VB235, TN23, TN235, PK23 AND PK235

Standard Floor Sockets for Non Floating Floors

Notice:

While this product is most commonly used for volleyball systems, it can also be used for tennis, pickleball and other net games that include posts of the same size and where removable installation is desired.

PARTS LIST

Item	Qty	Description	Item	Qty	Description
A	1	Socket Assembly	D	3	1/4" Button Head Screw
B	1	Cover	E	3	1/4" Flat Washer
C	1	Cover Cap	F	1	5/32" Hex Key

- ◆ Inspect all contents prior to installation. Report any missing parts to dealer immediately.
- ◆ Read all instructions before proceeding.

1. Use the 5/32" Hex Key (F) to attach Cover (B) to the Socket Assembly (A) with the 1/4" Button Head Screws (D). Make sure the 1/4" Flat Washers (E) are in between the 1/4" Button Head Screw (D) and Socket Assembly (A). See Figure 1.
2. Determine locations for floor sockets, volleyball sockets should be positioned 37' center to center. Tennis sockets should be 42' 3" center to center. Pickleball sockets should be 22'-0" See Figures 4, 5, and 6.

Caution:

Protect socket opening, do not allow mortar or concrete to enter the socket. Make sure the sockets are perpendicular to the playing surface. Fill hole partly full, embed socket and fill in around socket carefully. Allow mortar or concrete to cure completely before applying tension to the net.

3. When installing sockets indoors the hole needs to be 8" diameter X 15" deep for volleyball and 30" deep for tennis. See Figure 2.
4. When installing sockets outdoors the hole needs to be 10" diameter X 30" deep.
5. Use Cover Cap (C) when socket is not in use.

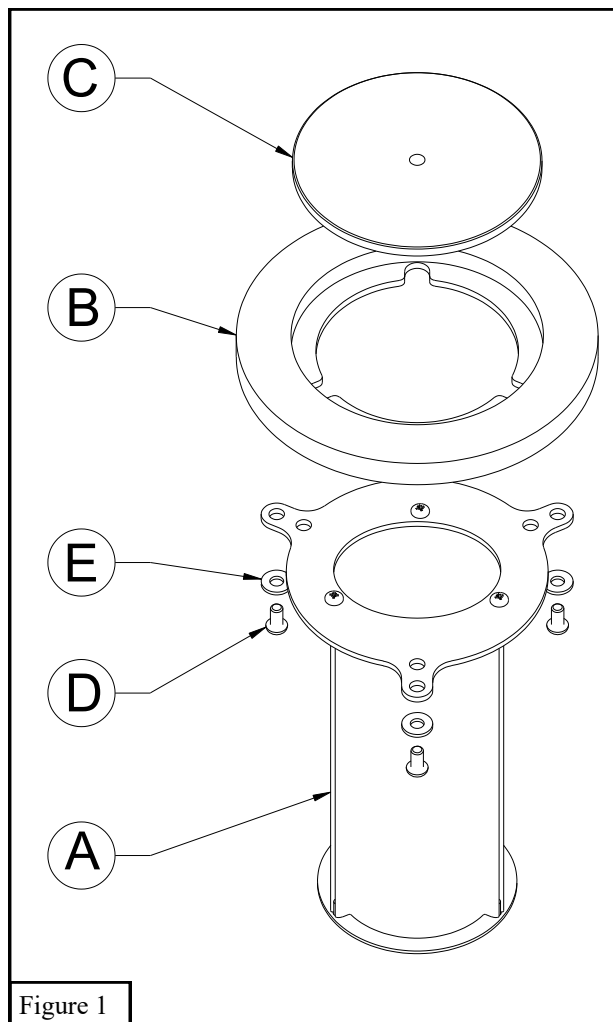


Figure 1

Indoor use

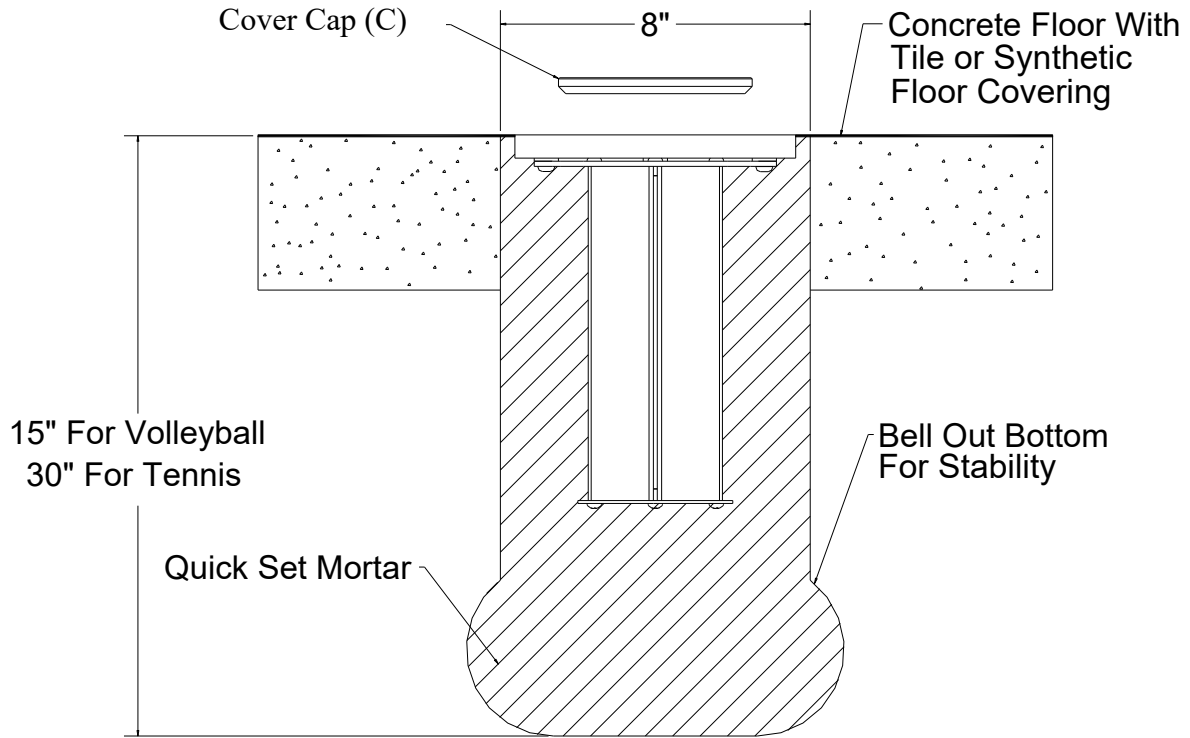


Figure 2

Outdoor use

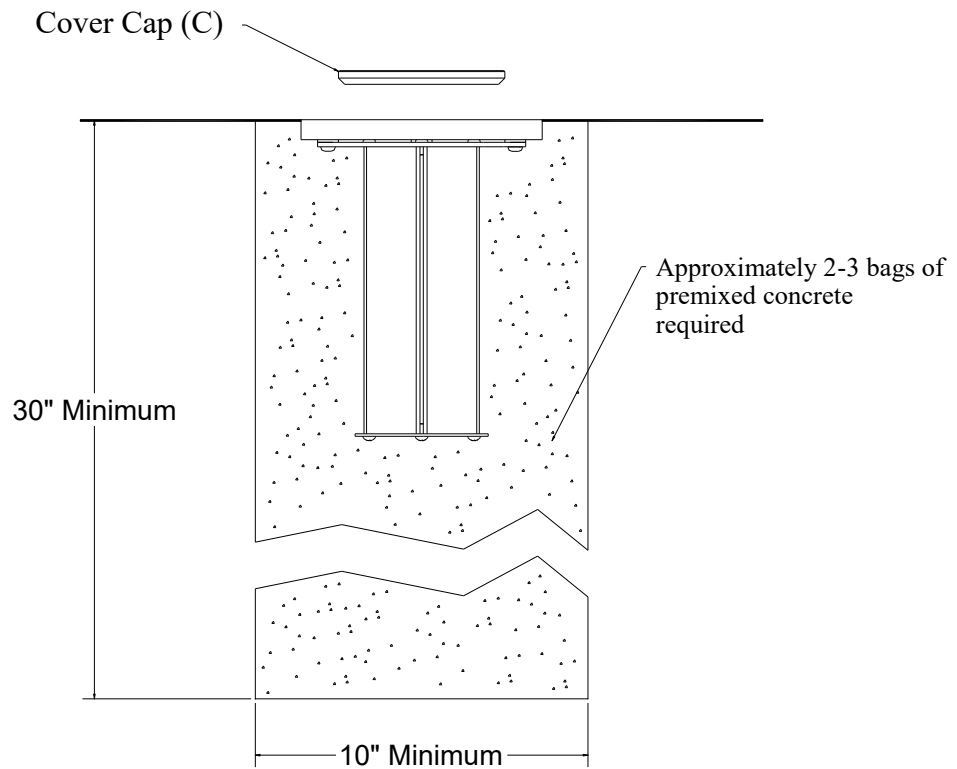
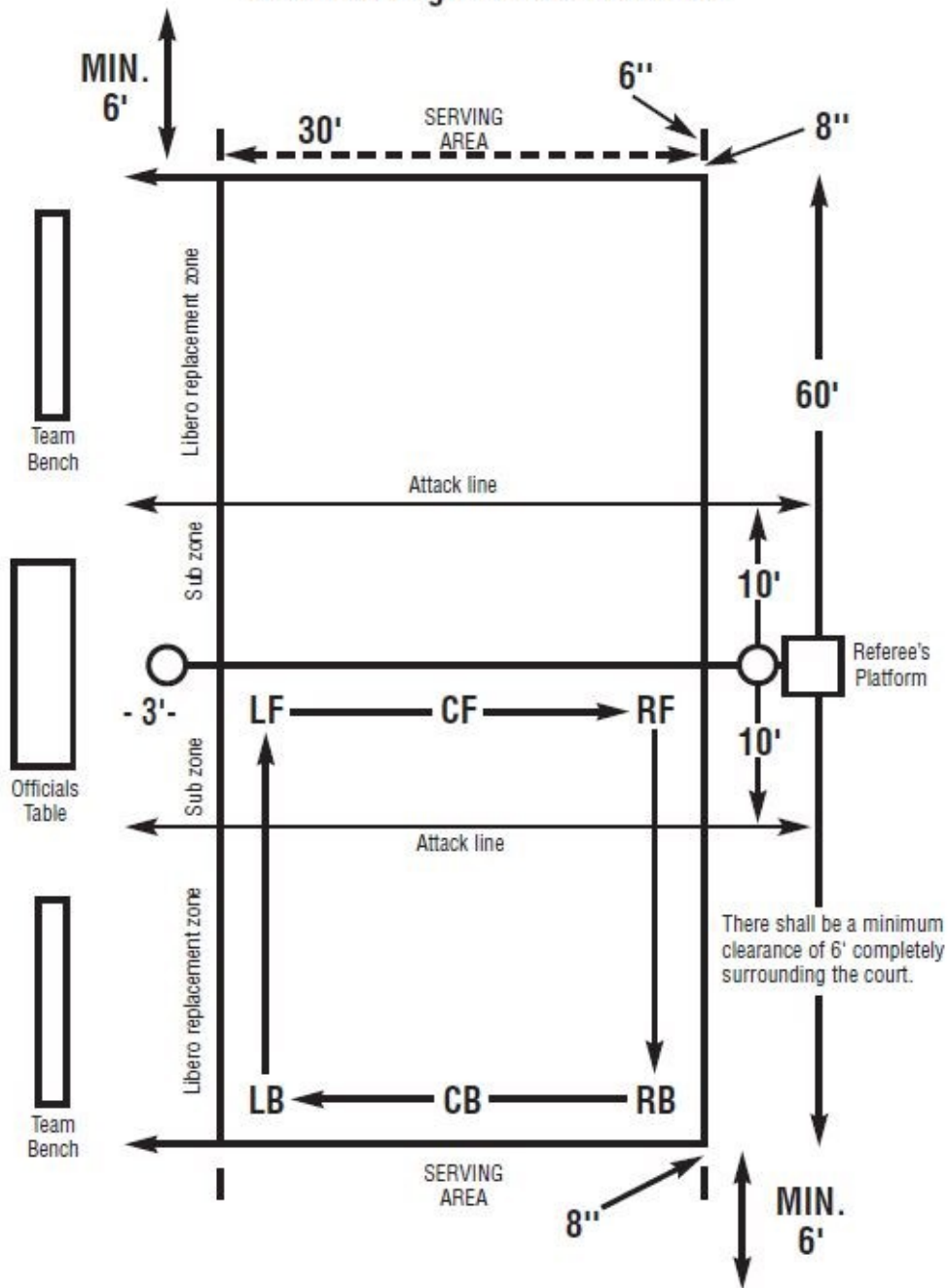


Figure 3

Figure 4

COURT DIAGRAM Standard English Measurements



Note: All lines on the court are 2 inches wide. For the center line, a solid or shadow-bordered 2-inch-wide line is permissible. The border or outlines for the shadowed center line shall be at least 1/4-inch wide and shall be within the 2-inch width. It is recommended that the court should be clear of obstructions and the overhead playable area should be at least 23 feet high.

Volleyball Court Diagram

Tennis Court Diagram

