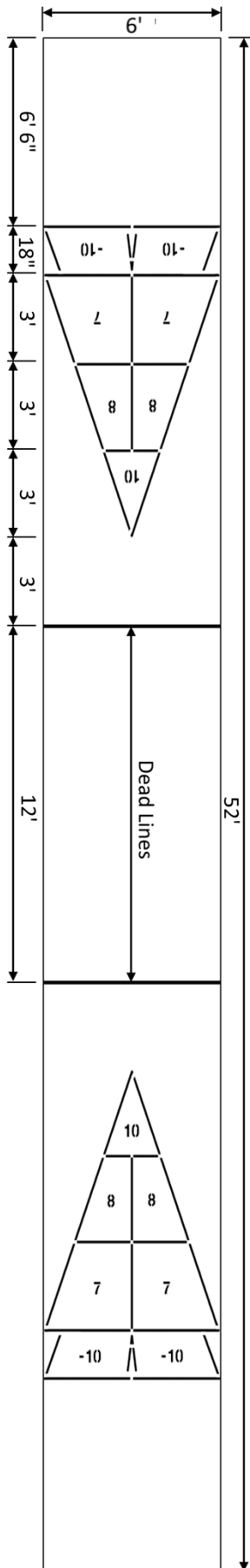
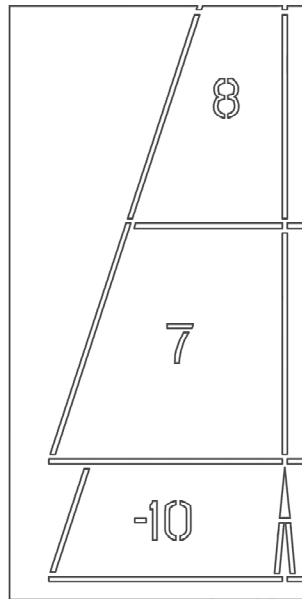


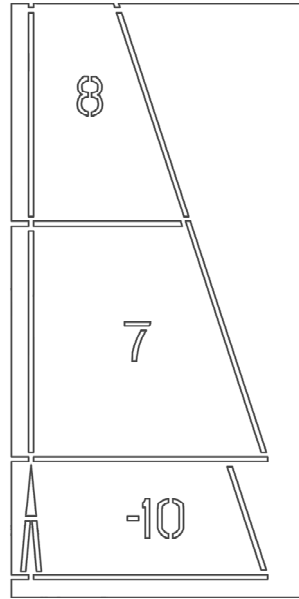
SHUFFLEBOARD COURT STENCIL INSTRUCTIONS



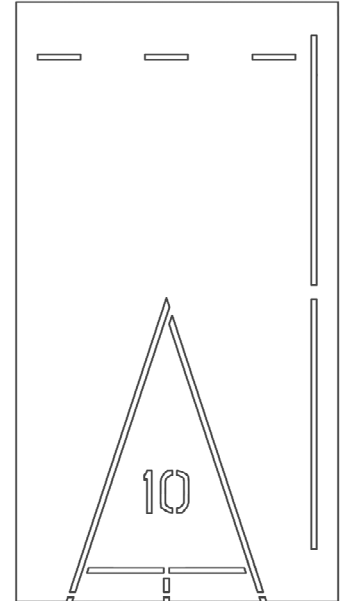
Left Side (A)



Right Side (B)



Top & Deadlines (C)



This Shuffleboard Court Stencil contains 3 sections. When ready to paint, follow the instructions below using line striping paint.

- 1) Open box and remove stencils. Peel the protective film off both sides of each stencil section. Lay stencils on a flat surface. If stencils are curled, leave in the sun for a few hours to help flatten the plastic.
- 2) Place stencil section A on the left side of the court. Next, place stencil section B on the right side of the court- overlapping the center lines. Then, place stencil section C at the top of the triangle- overlapping the top sections of stencils A and B. (Stencil C will also be used to paint the deadlines on the court.)
- 3) Use wood (a six foot 2"x4" is recommended) or other weight to hold the stencil down when painting to ensure a clean line.
- 4) Spray lines on with striping paint. On stencil C the dotted top lines should be sprayed as a guideline, then rotate the stencil and use the six-foot (6') line to connect the dotted lines.