

The Original
smarTrike®



www.smarTrike.com

www.youtube.com/user/SmartTrikeOfficial

607/609/615/645/665

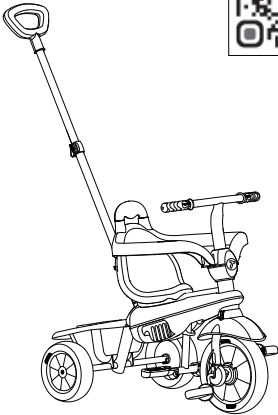
Breeze™ 607 / Lollipop™ 609

615 Carnival™

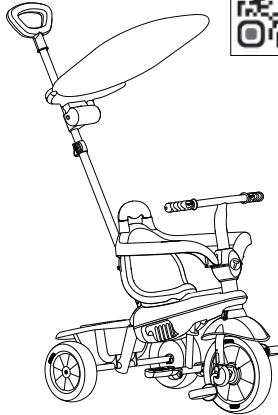
645 Delight™



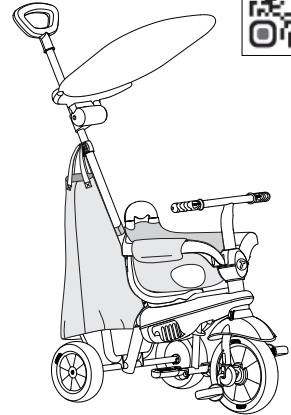
60703A



61501A



64501A

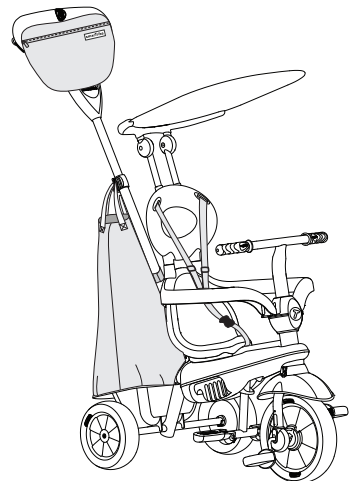
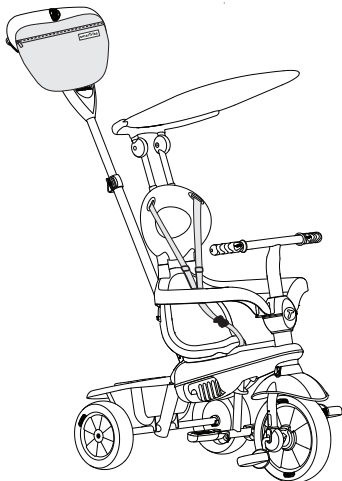


665A Vanilla™

665B Vanilla Plus™

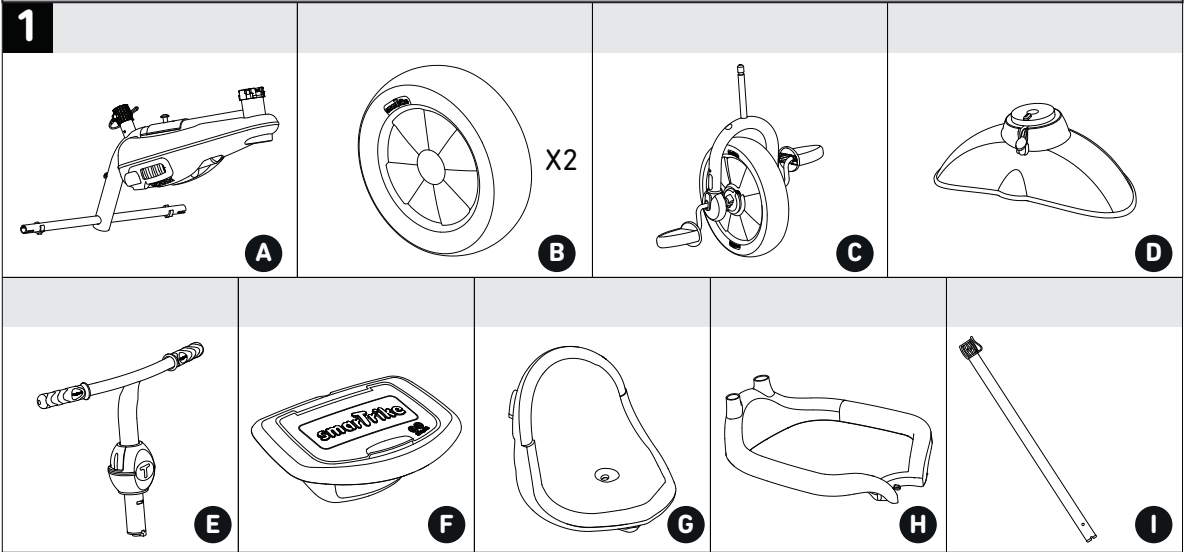


66501AB

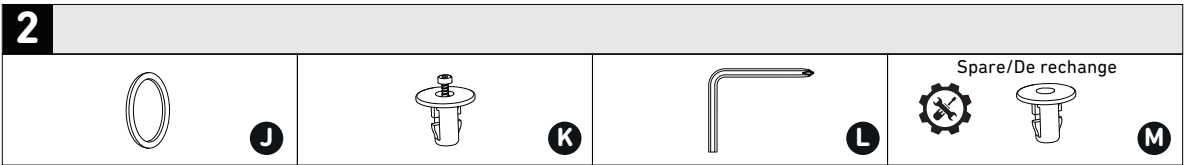


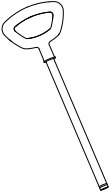
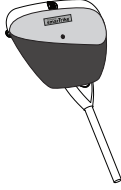
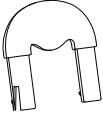
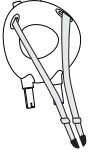
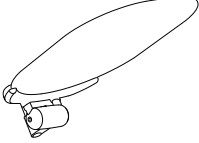
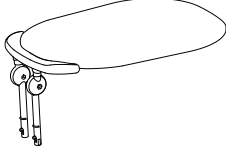

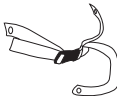
607/609/615/645/665

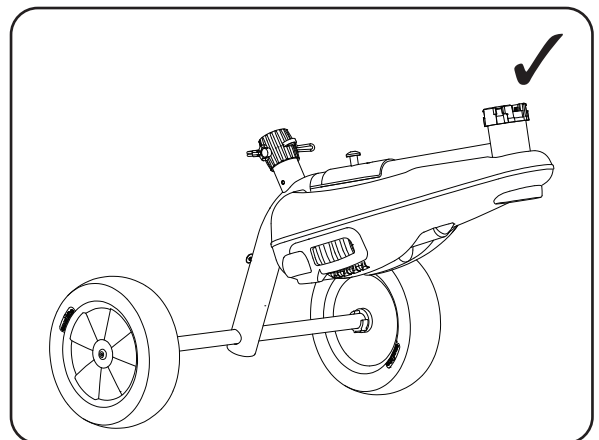
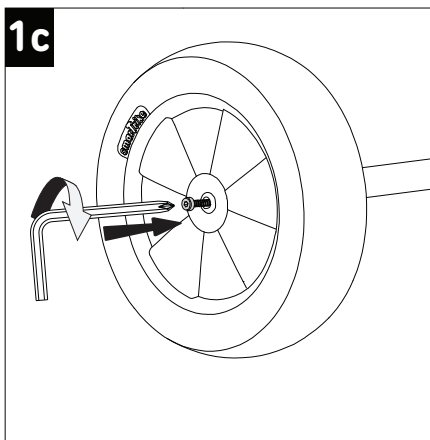
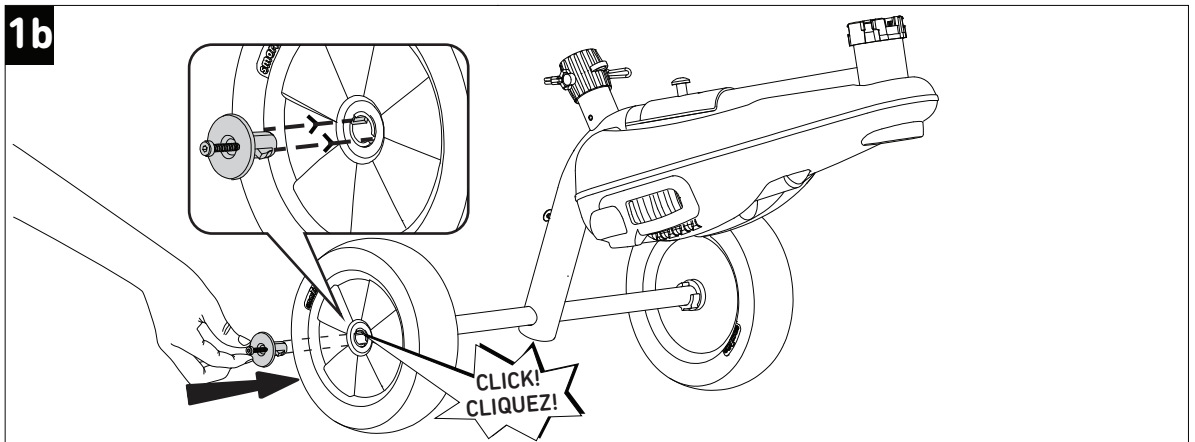
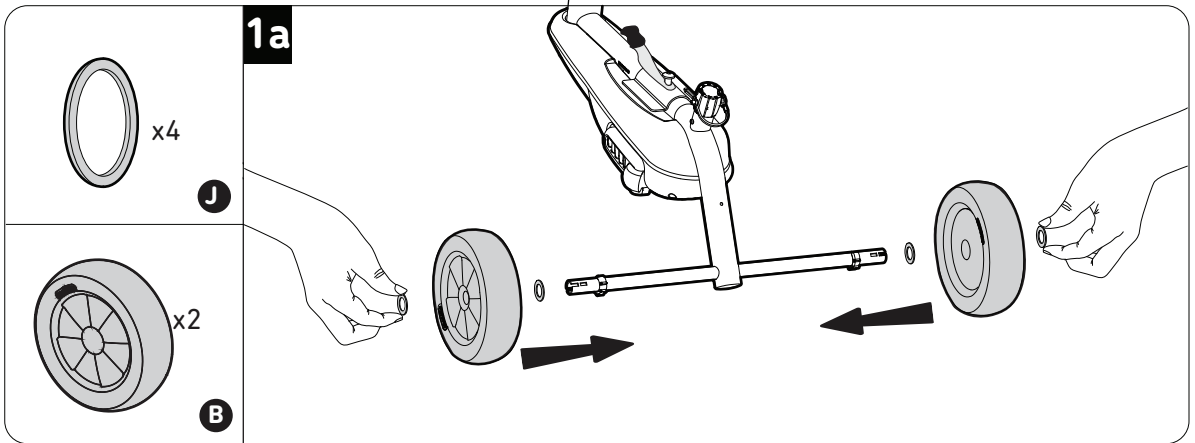
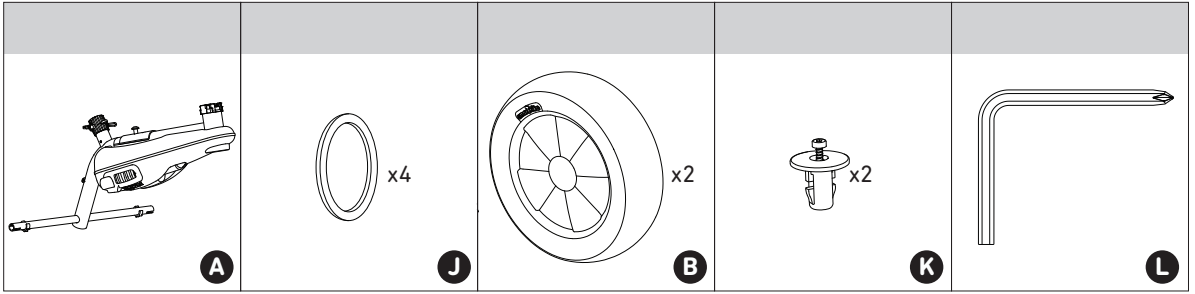
1

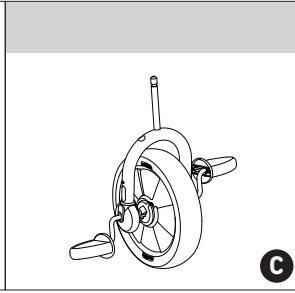
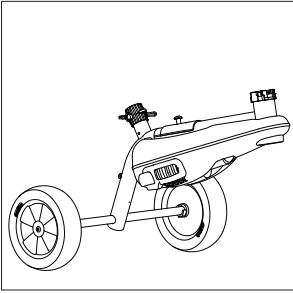


2

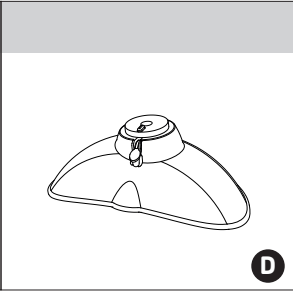


	607/609 615/645		665
N1		N2	
	607/609 615/645		665
O1		O2	
	615/645		665
P1		P2	
	645/665B		615/645 /607/609
Q		R	

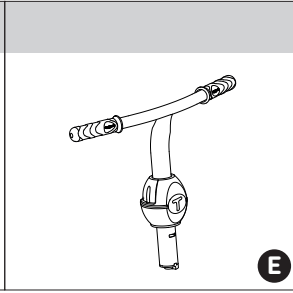




C

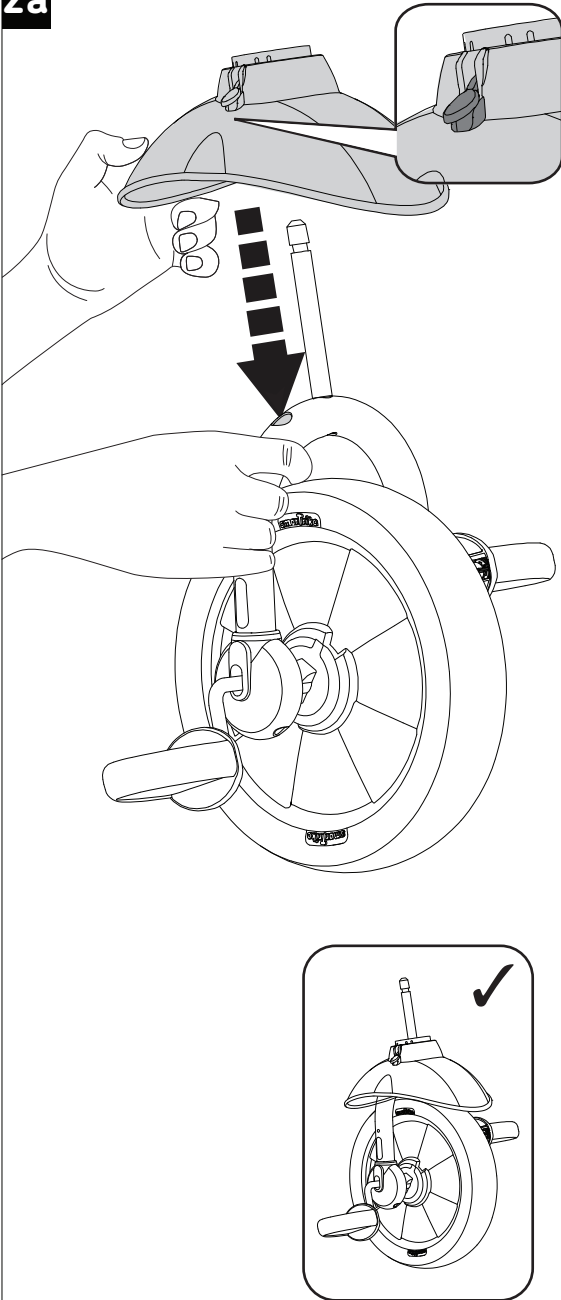


D

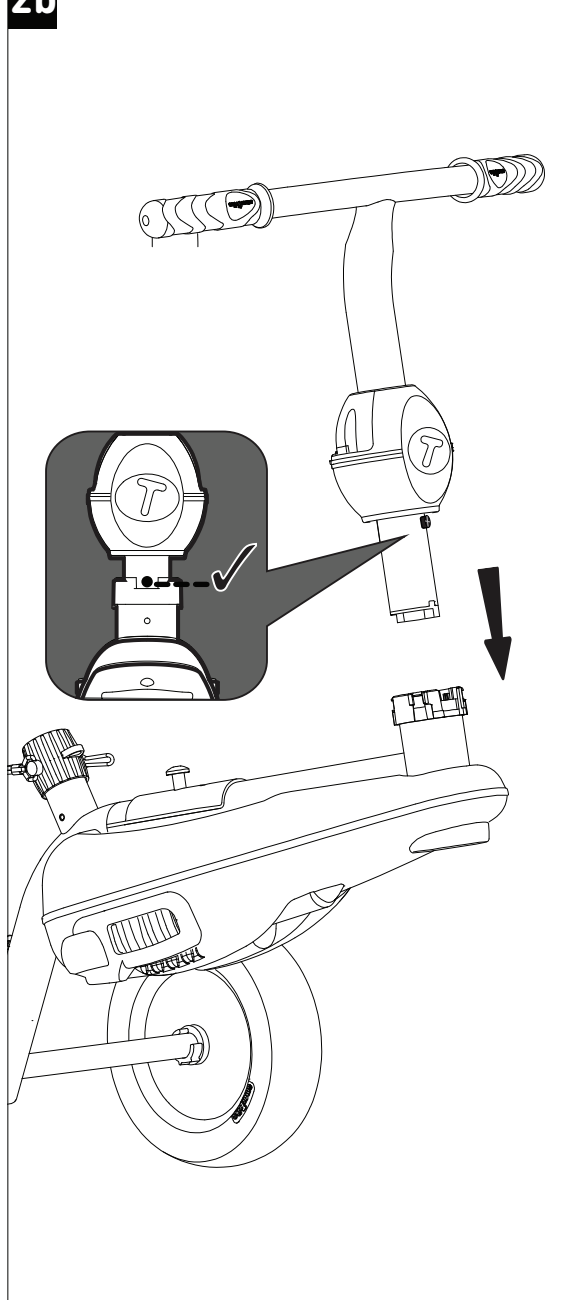


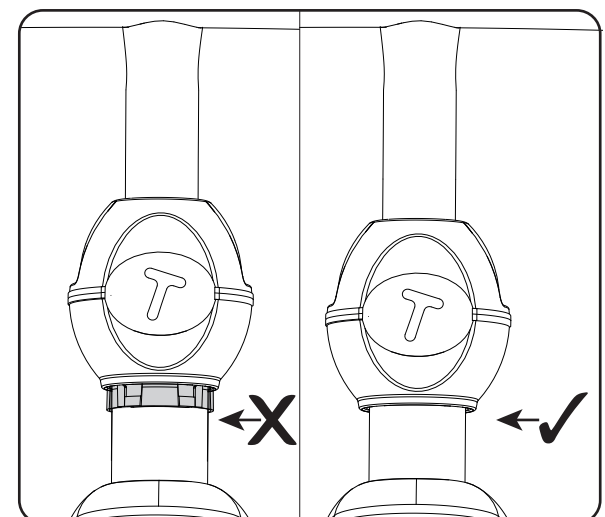
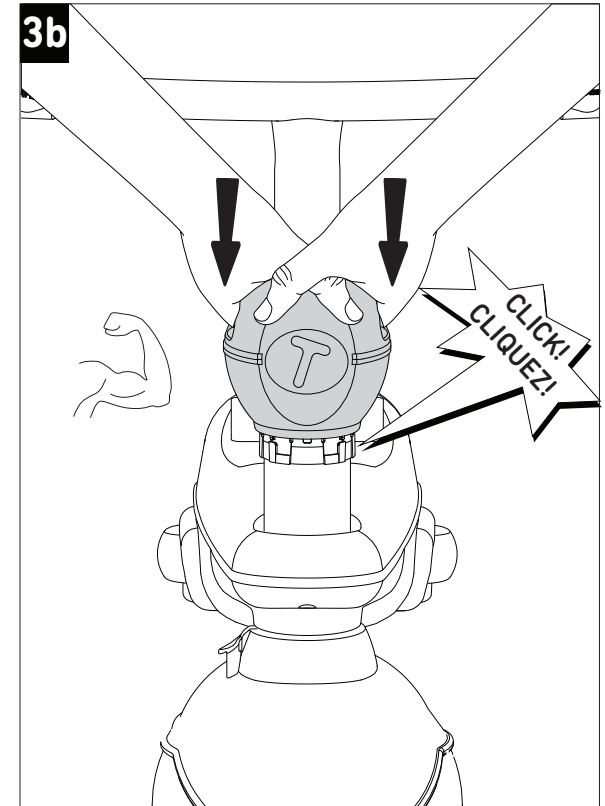
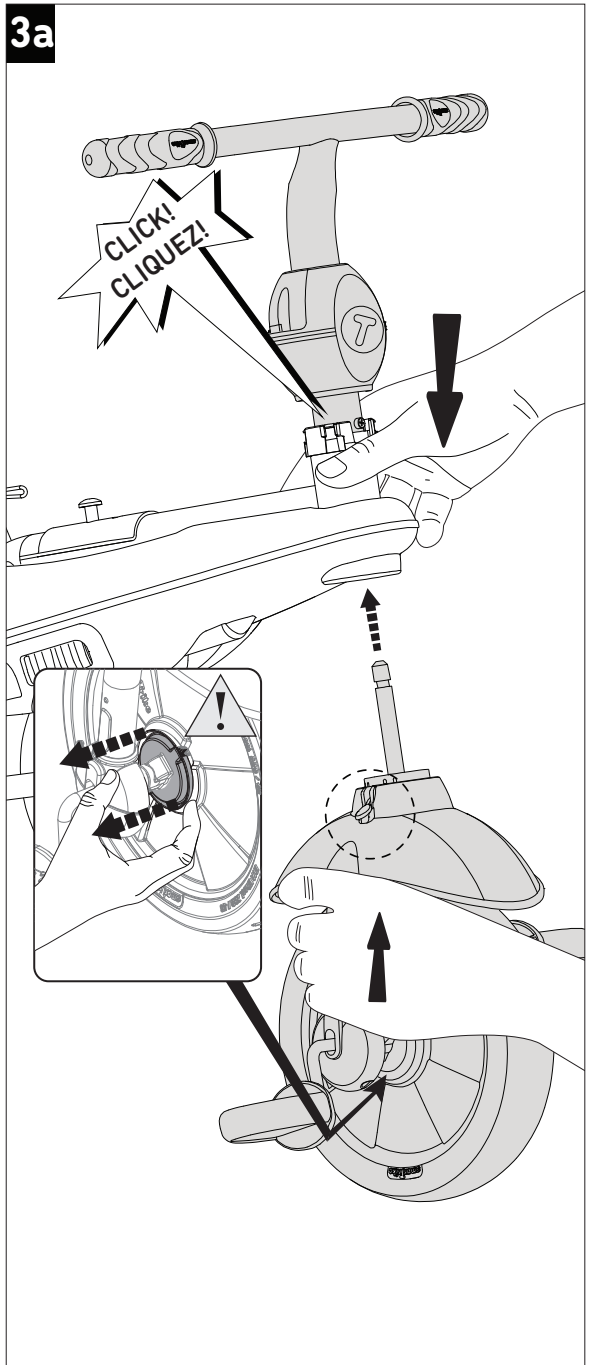
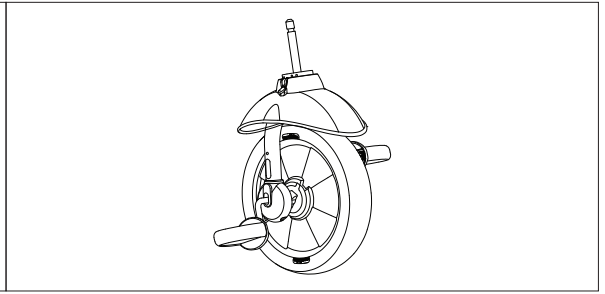
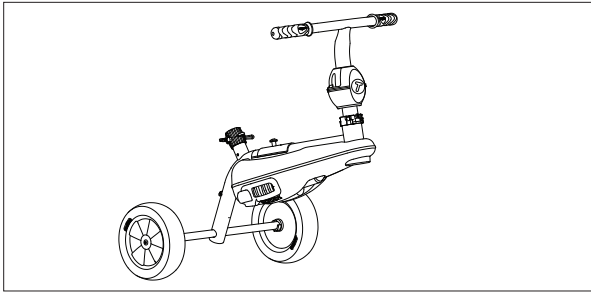
E

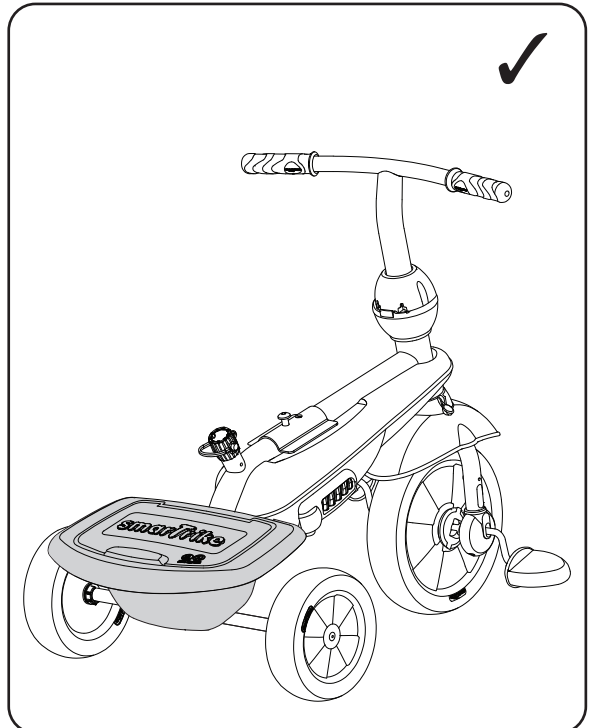
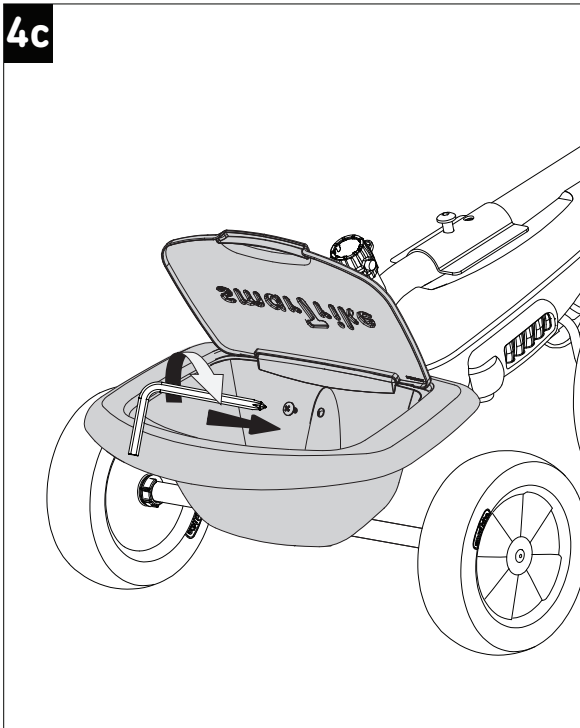
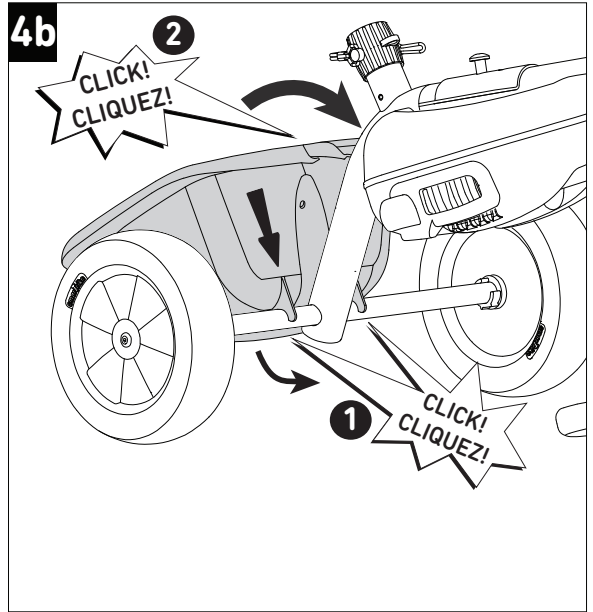
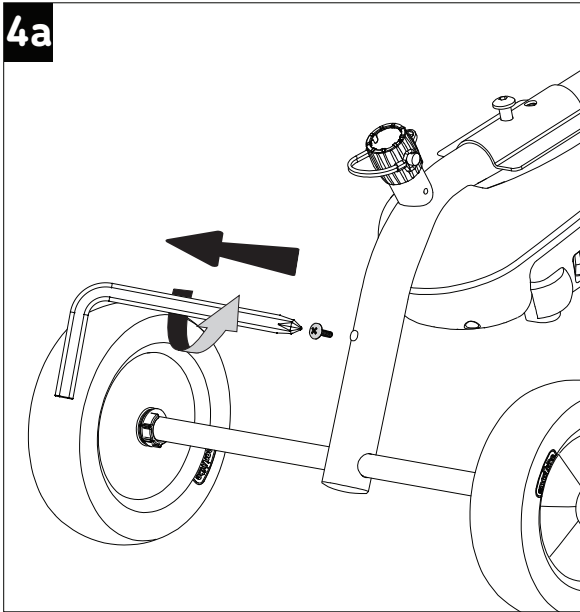
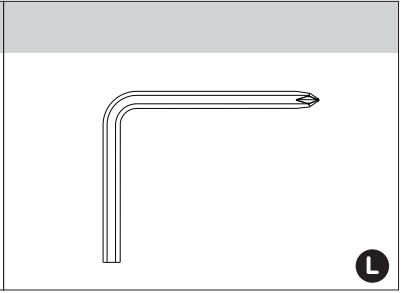
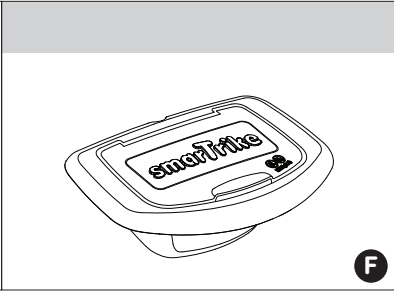
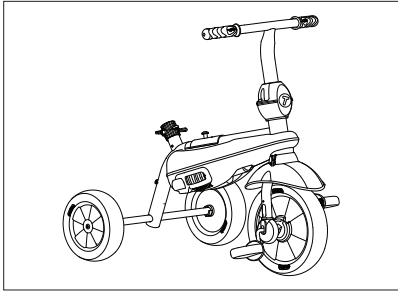
2a

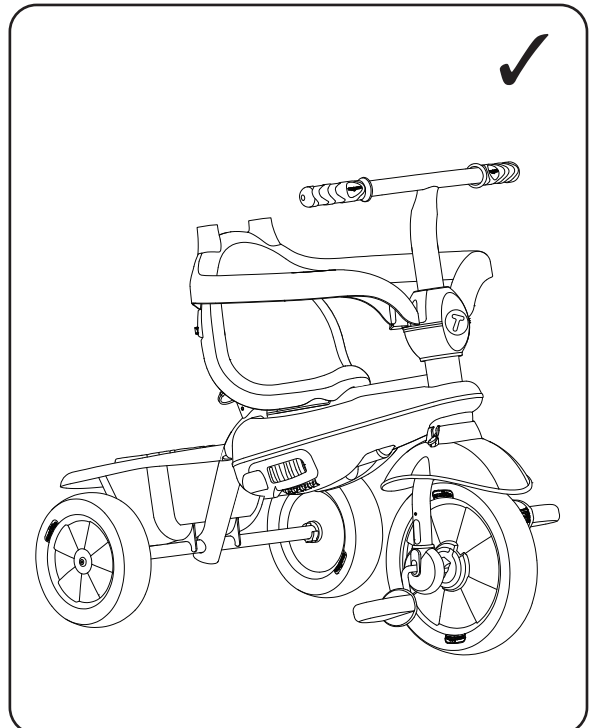
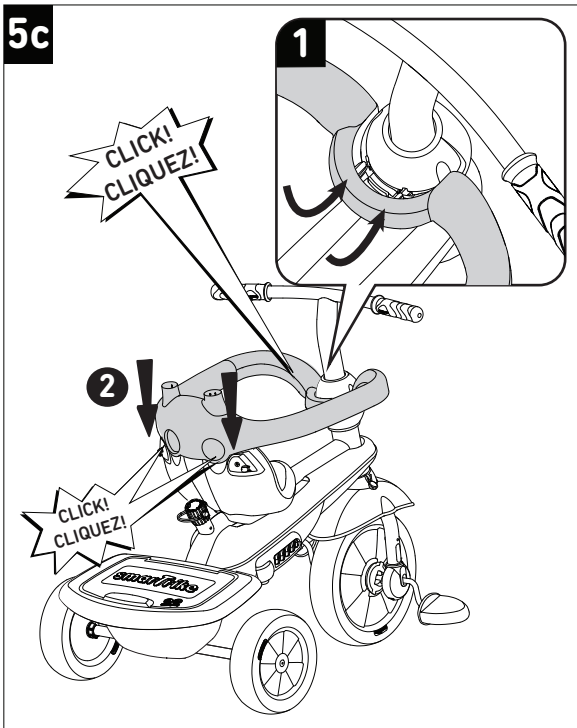
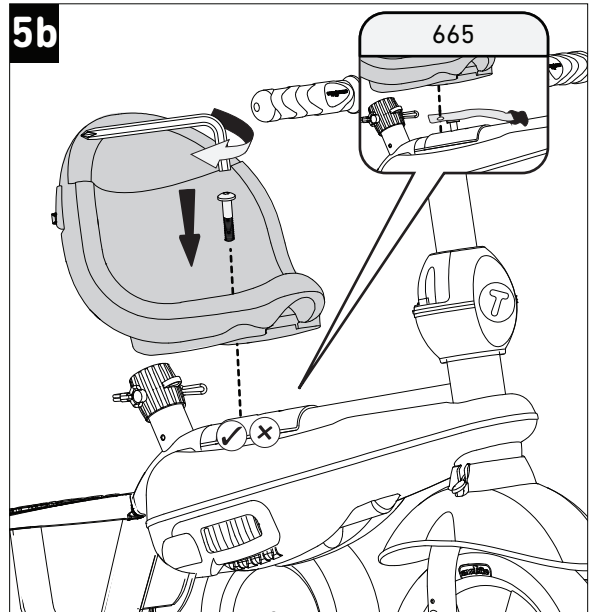
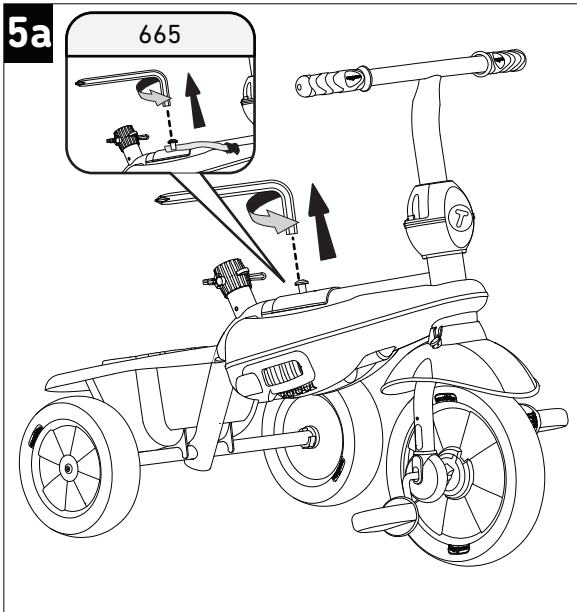
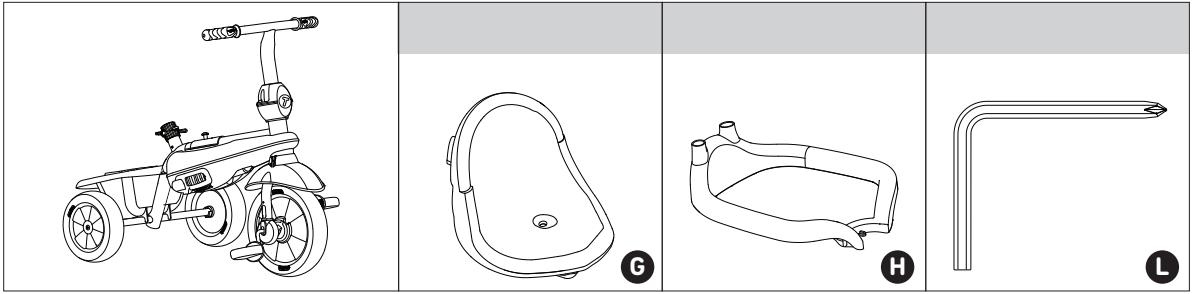


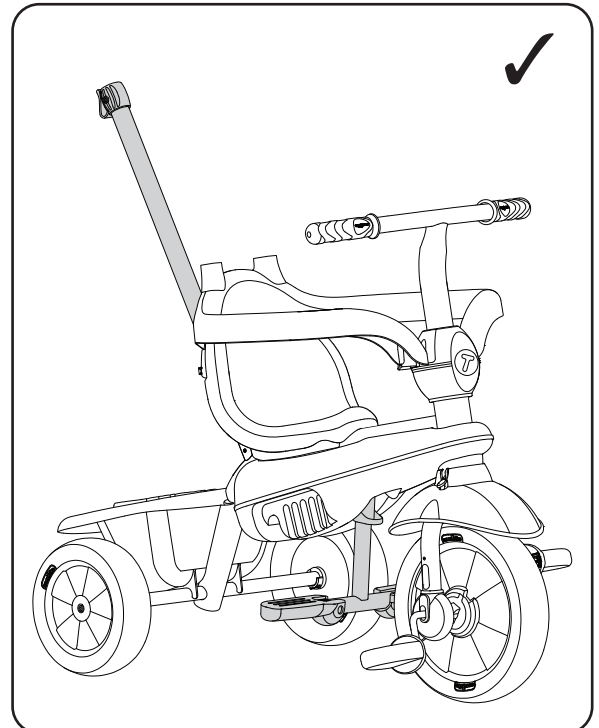
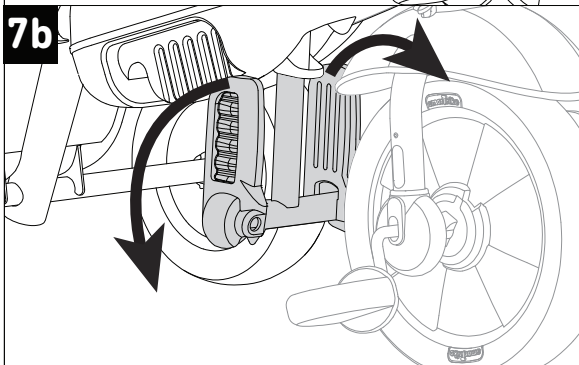
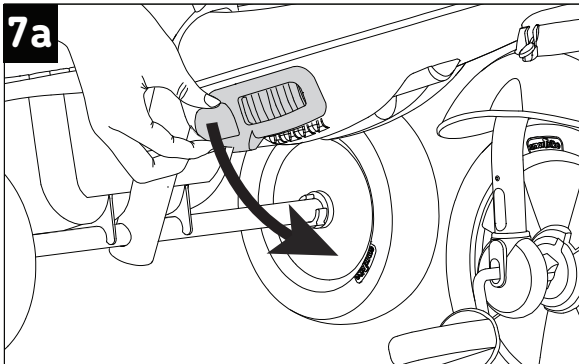
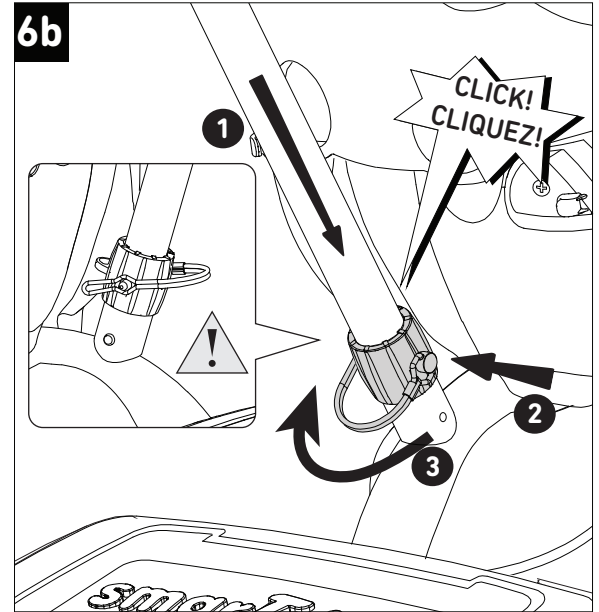
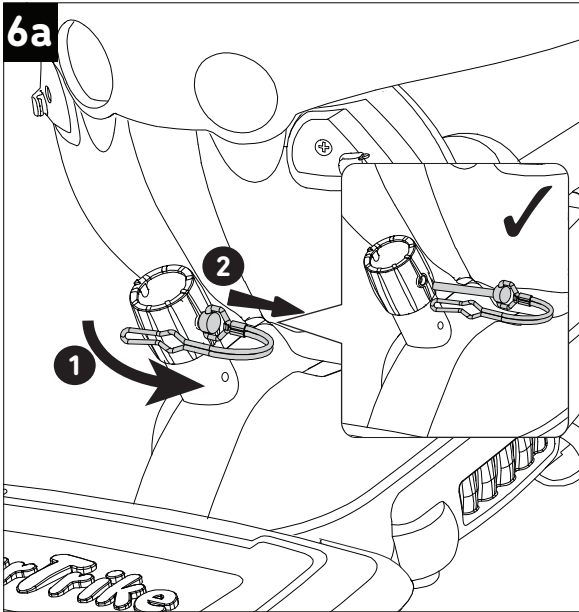
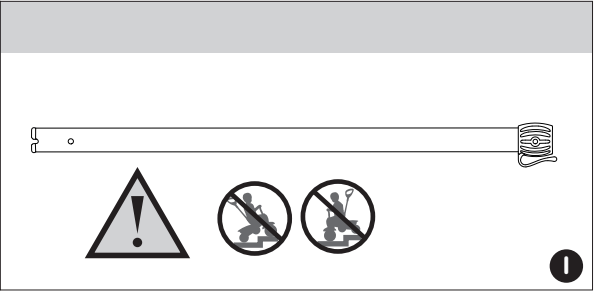
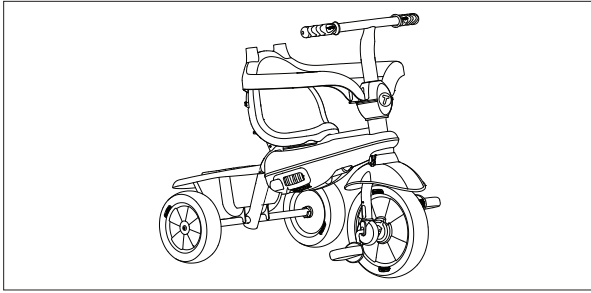
2b



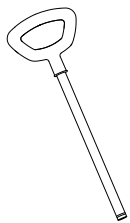
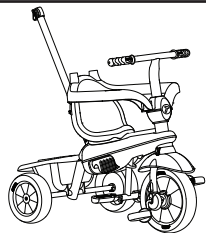




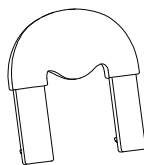




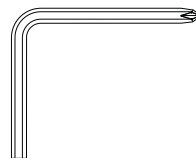
Breeze™ 607 / Lollipop™ 609



N1

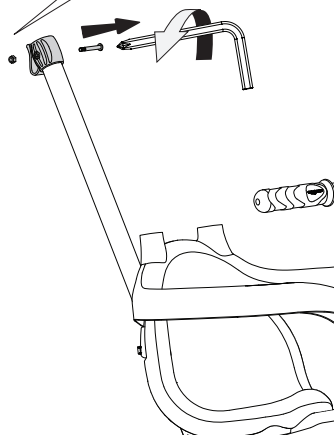
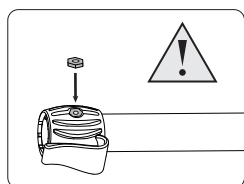


O1

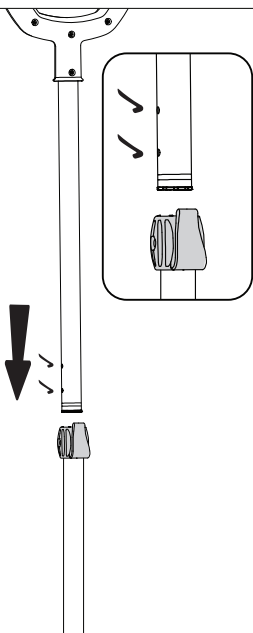


L

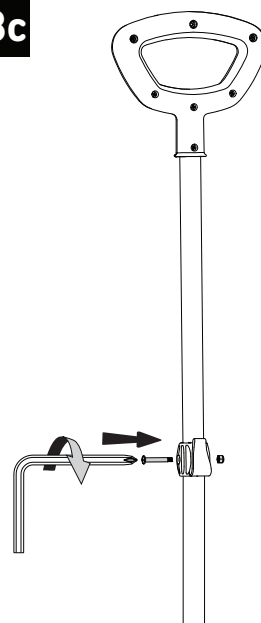
8a



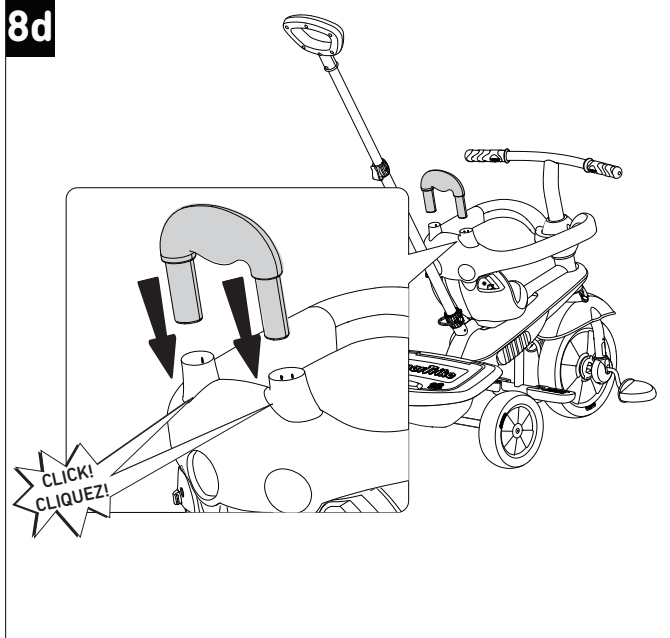
8b



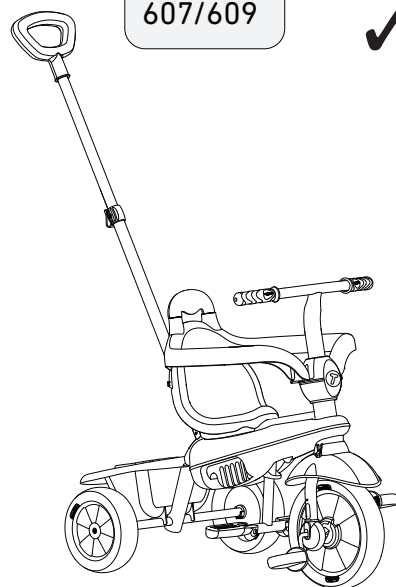
8c



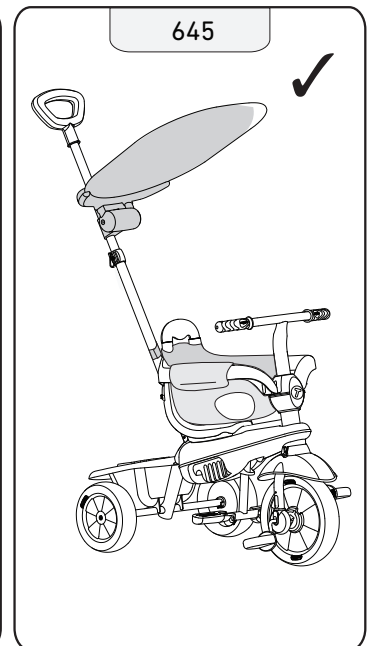
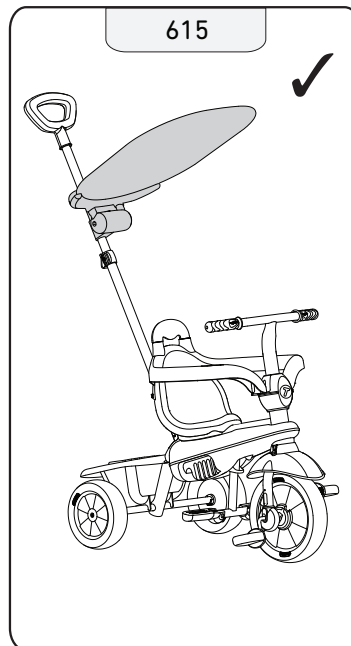
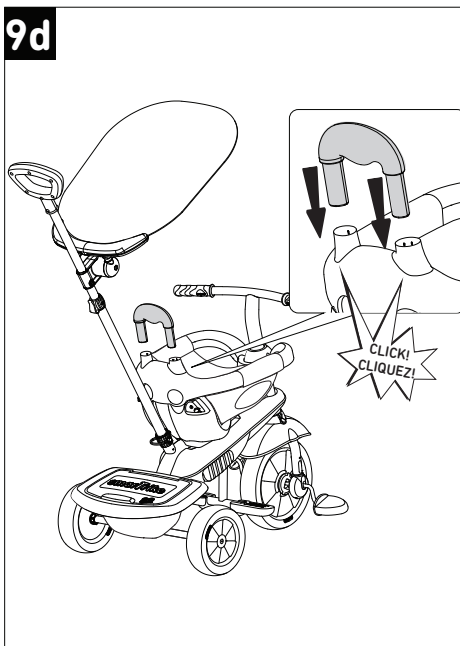
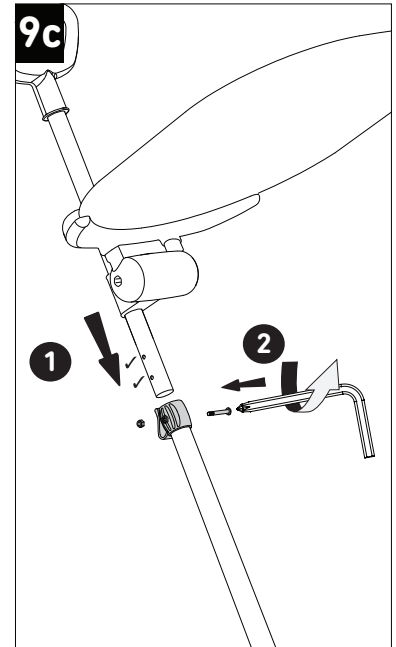
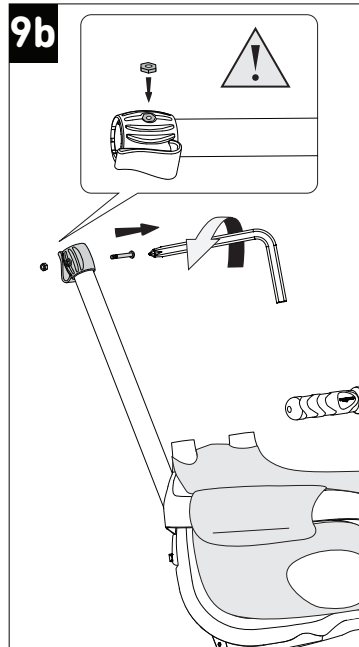
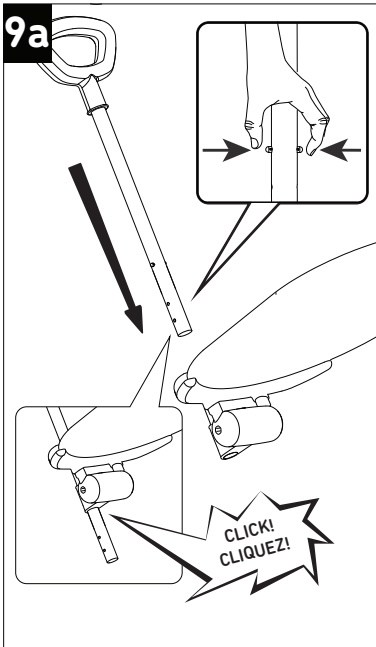
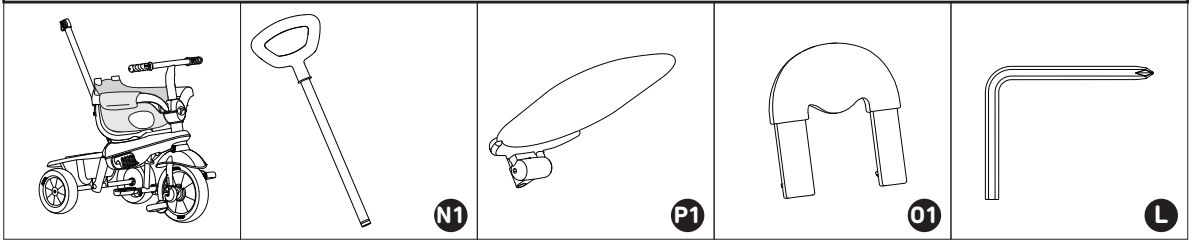
8d



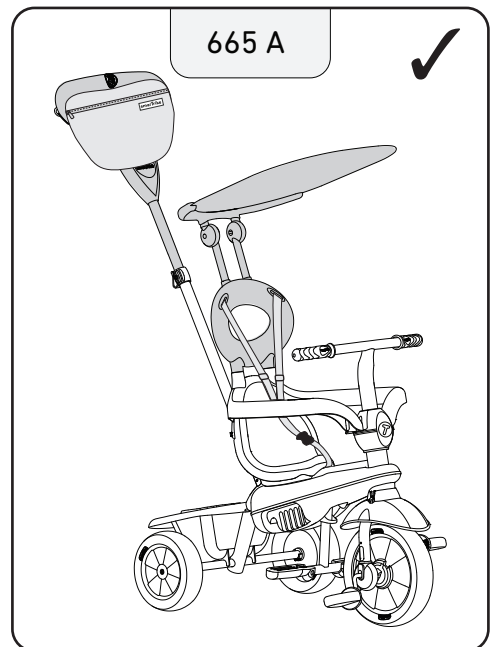
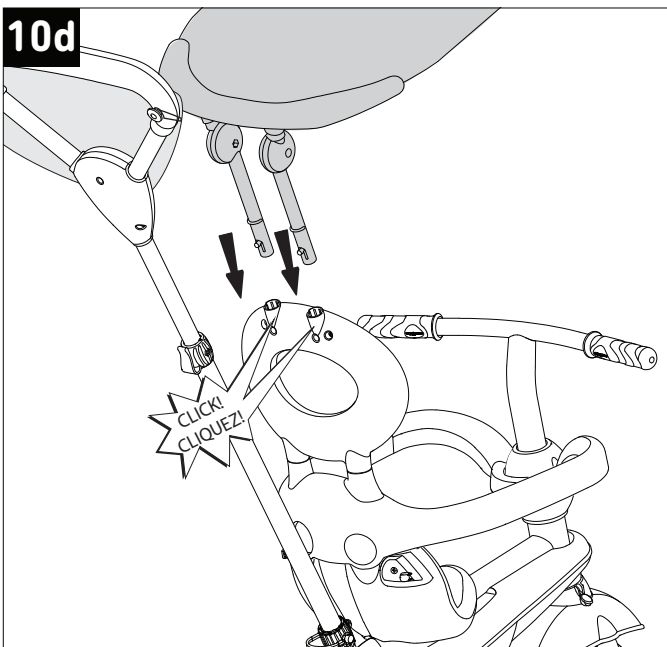
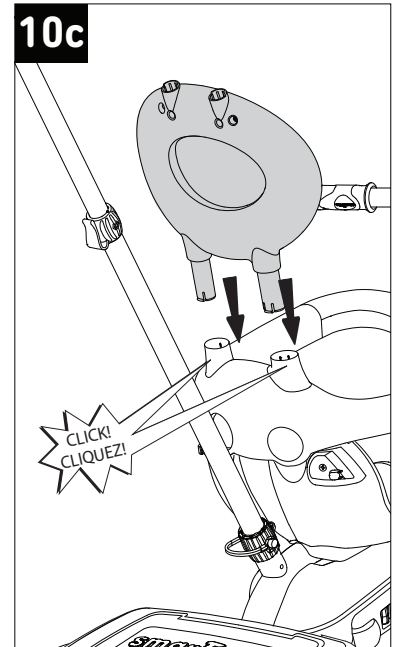
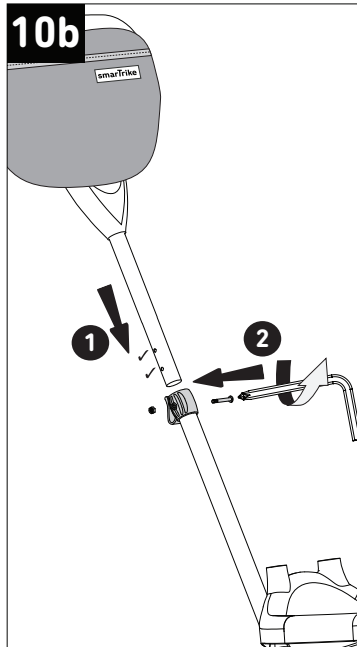
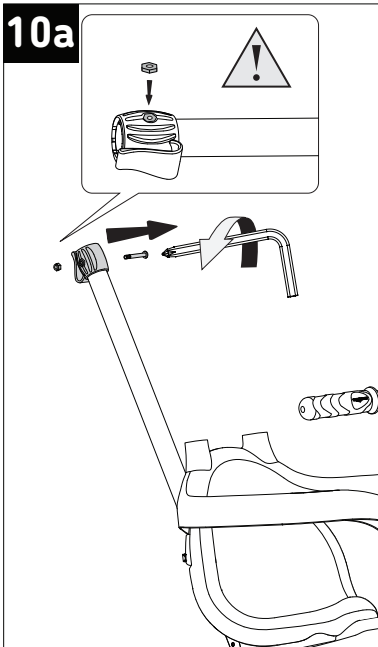
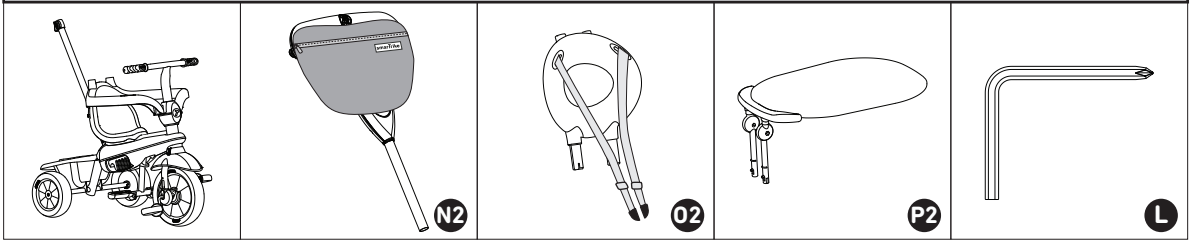
607/609



Carnival™ 615 / Delight™ 645

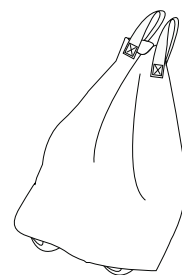
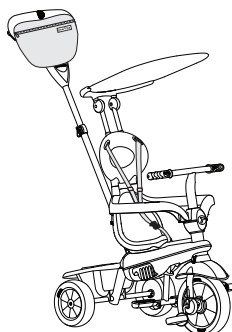
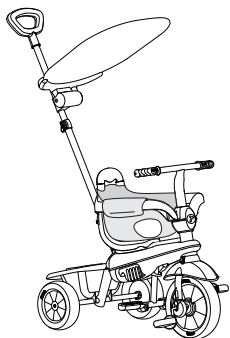


665A Vanilla™



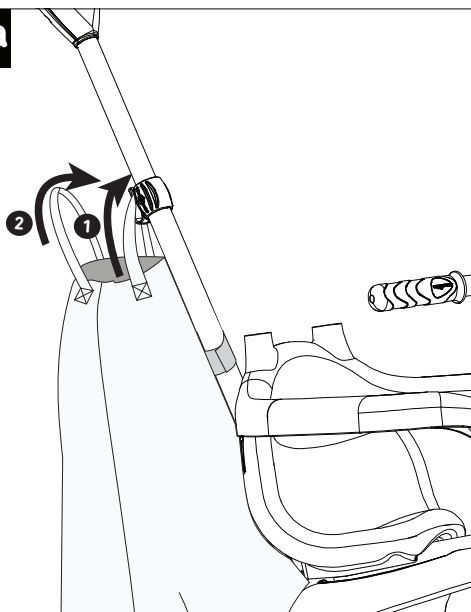
645 Delight™

665B Vanilla Plus™

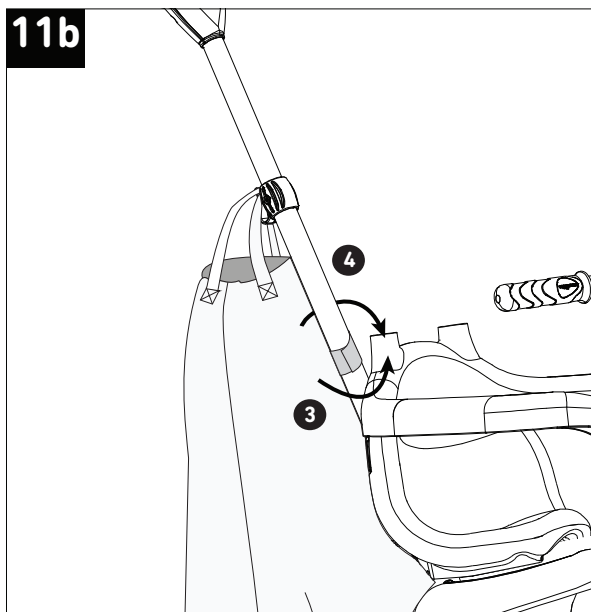


Q

11a

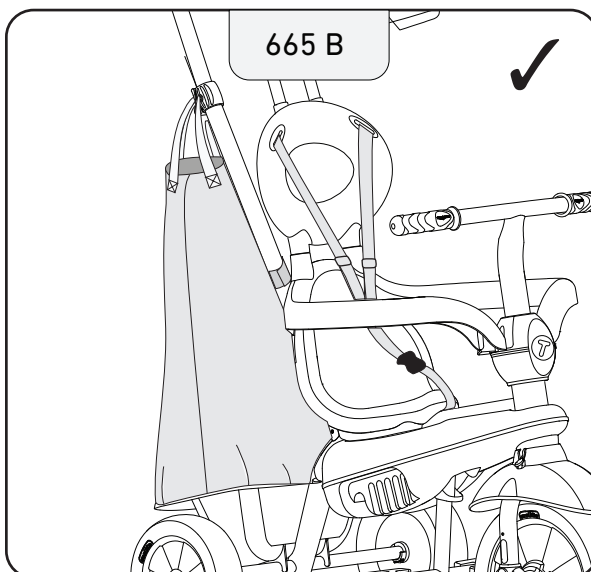
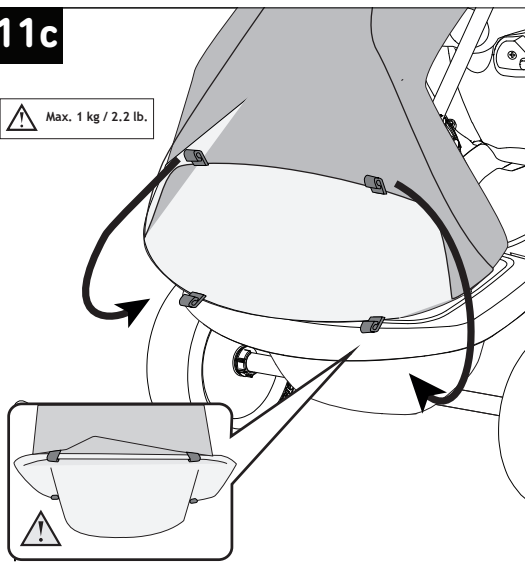


11b



11c

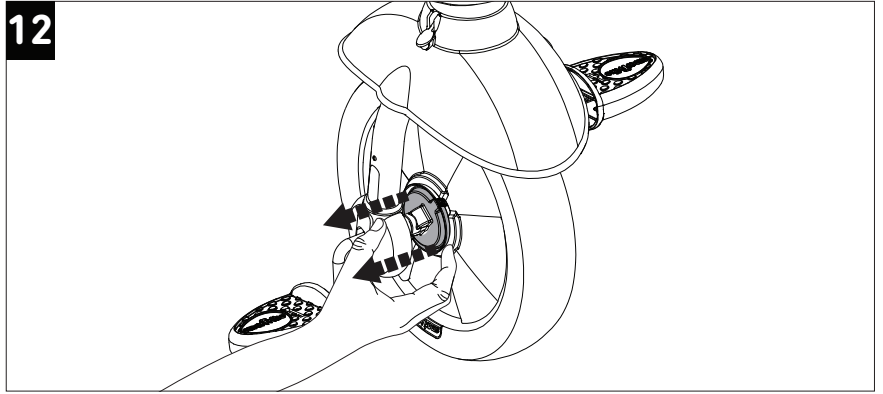
⚠ Max. 1 kg / 2.2 lb.



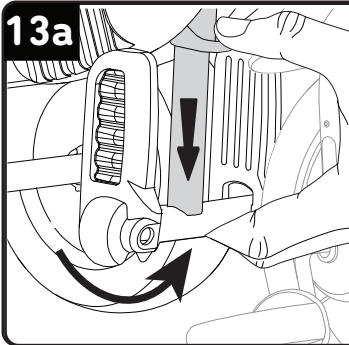
Usage/Utilisation



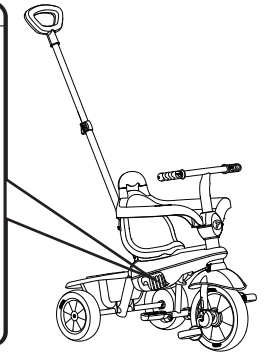
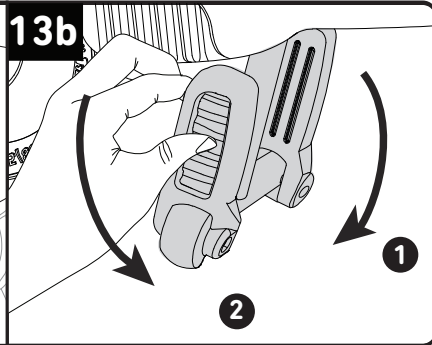
12



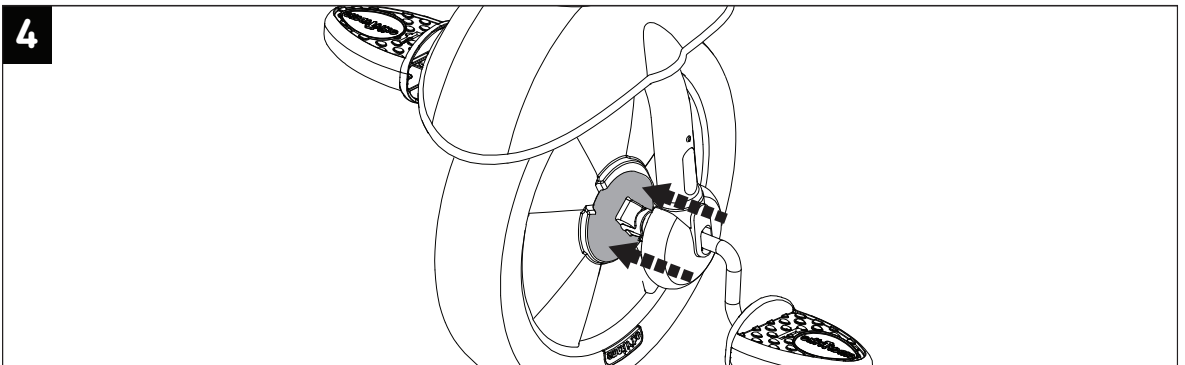
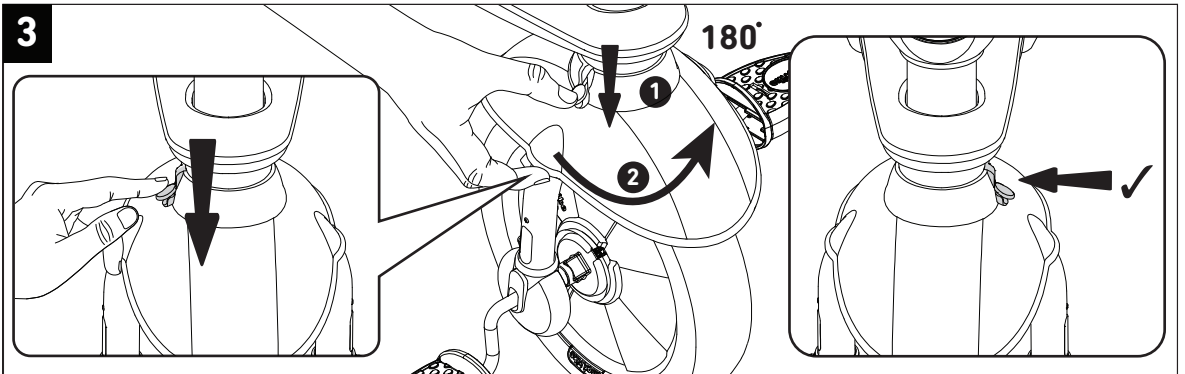
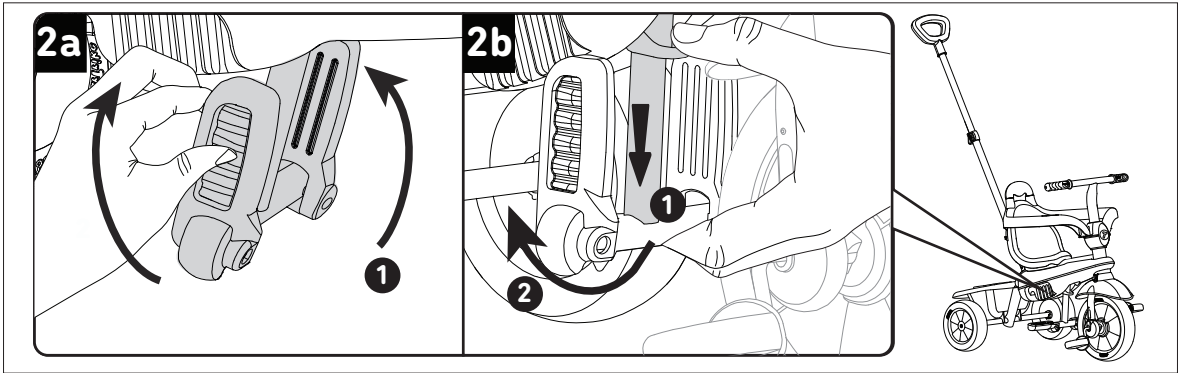
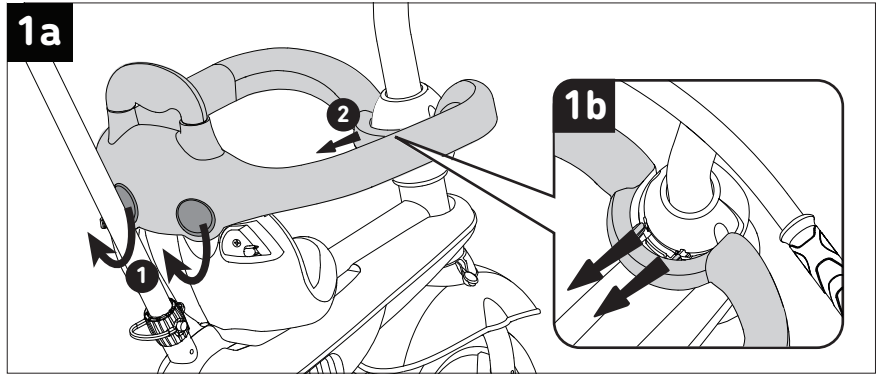
13a

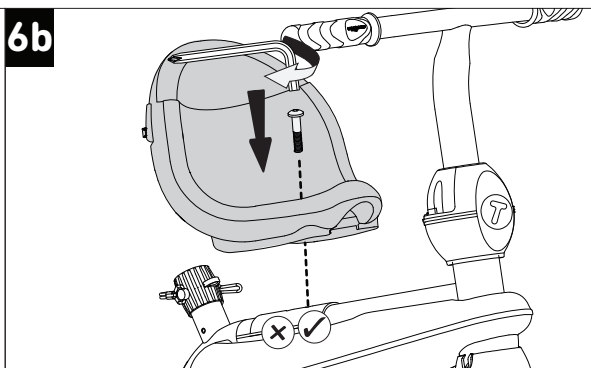
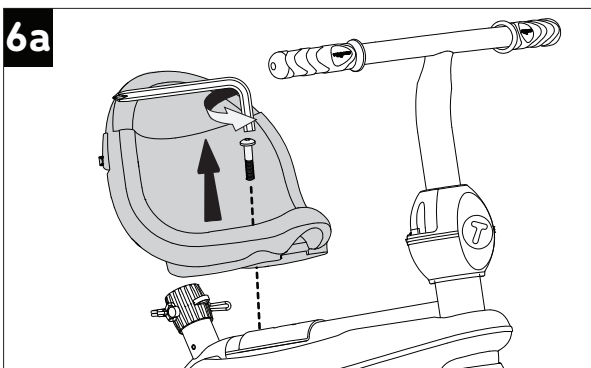
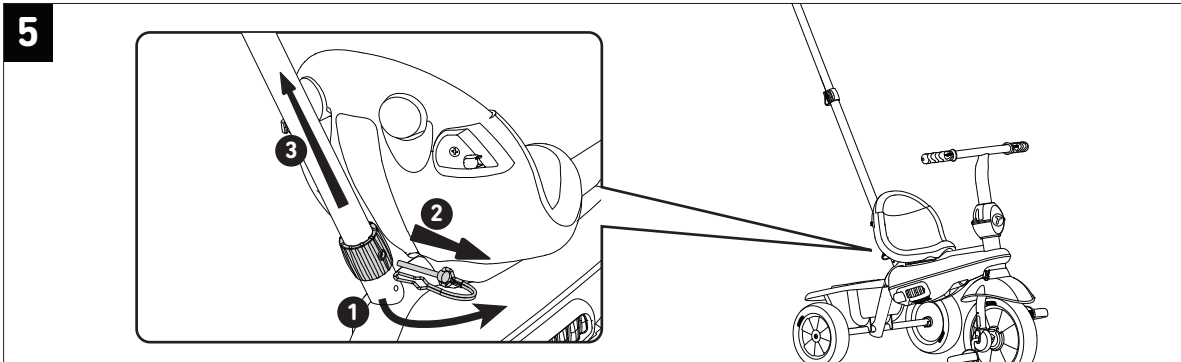


13b

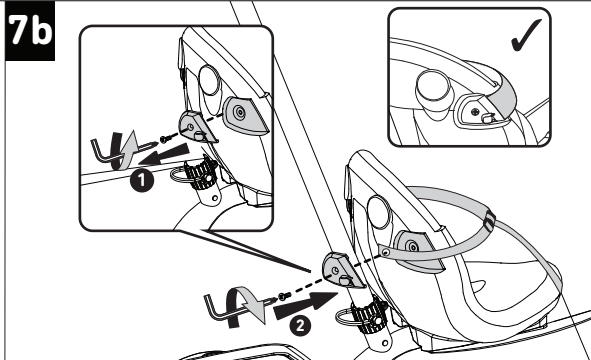
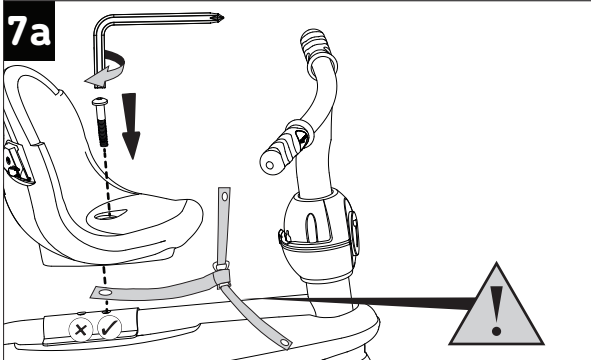


Usage/Utilisation





607/609/615/645



The Original
smarTrike[®]



www.smarTrike.com

www.youtube.com/user/smartrikeofficial

60728229603