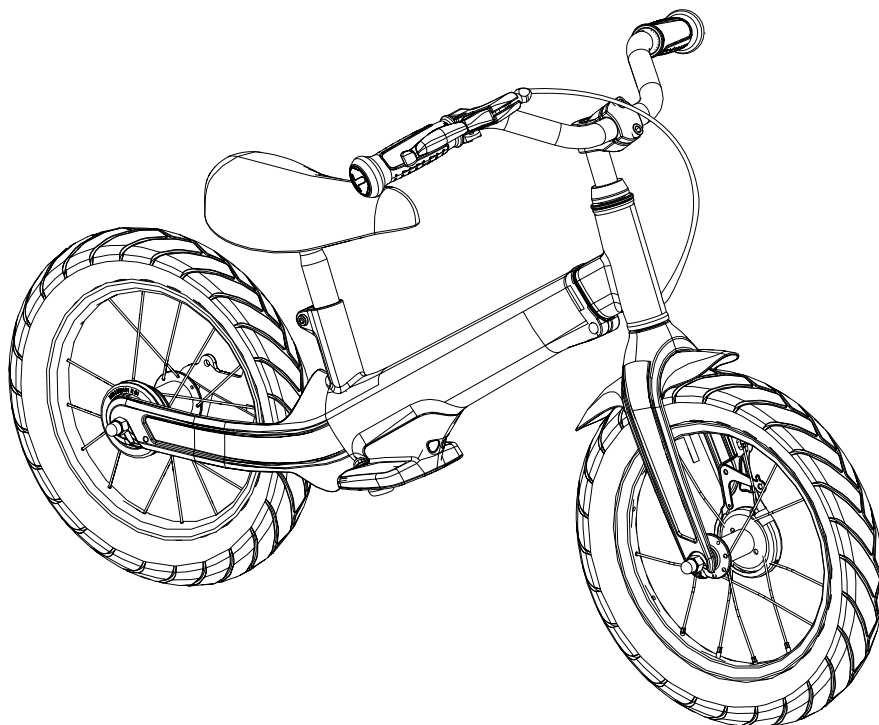


Xtend Bike

The Original
smarTrike[®]

Assembly instructions



Australia



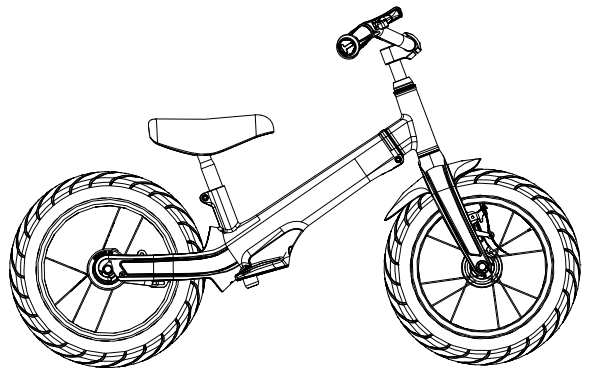
Usa

ENGLISH

20828279603

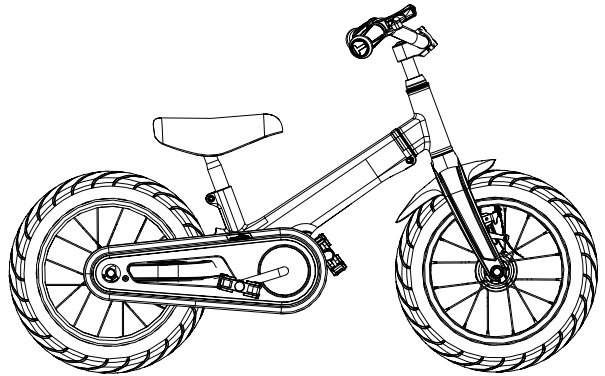
Balance

Age 3 - 4yrs



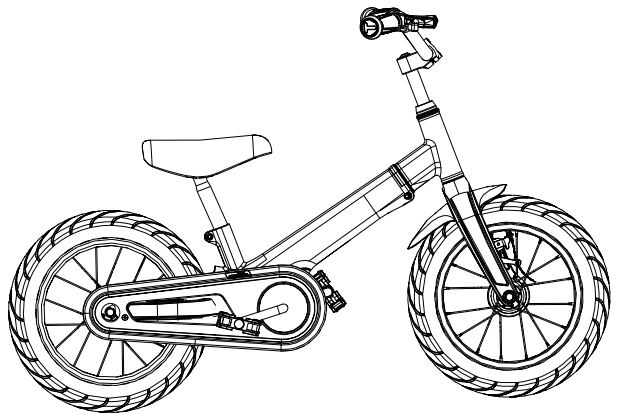
Pedal

Age 4 - 6yrs

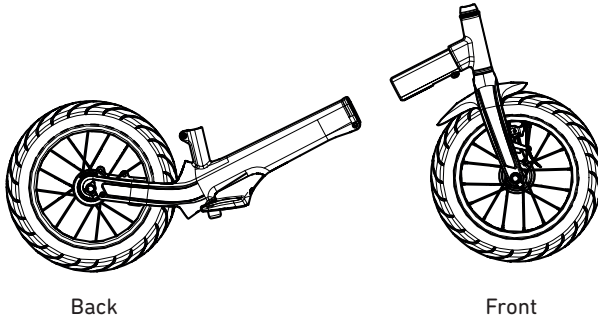


Bike

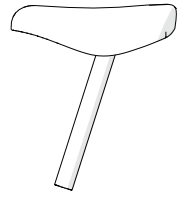
Age 6 - 7yrs



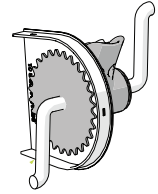
Bicycle body



Seat



Pedal mechanism



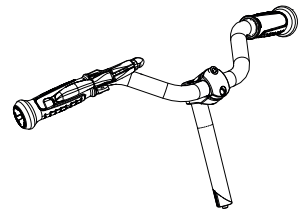
Chain



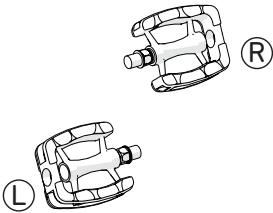
Chain cover



Handlebar



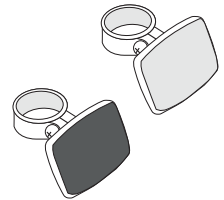
Pedal



Bell



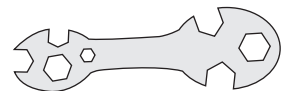
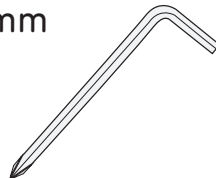
Reflector




5mm



6mm



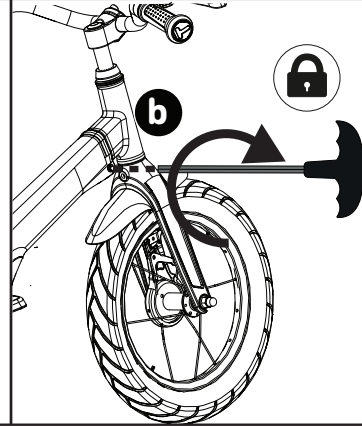
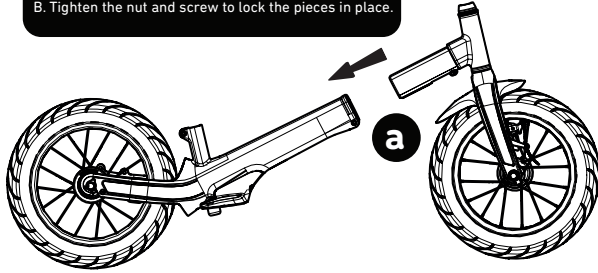
Please follow all the instructions completely and carefully.
Please read the entire manual through before starting assembly or maintenance.
In case you are not confident with assembling this unit, please refer to a local bike shop.

 **WARNING:** Keep small components away from children during the assembly process.

NOTE: All of the directions (right, left, front, rear, etc.) provided in this manual are as seen by the rider riding the bicycle.
Do not dispose of the carton or other packaging parts until the assembly of the bicycle is complete in order to prevent accidentally discarding components of the bicycle.

1

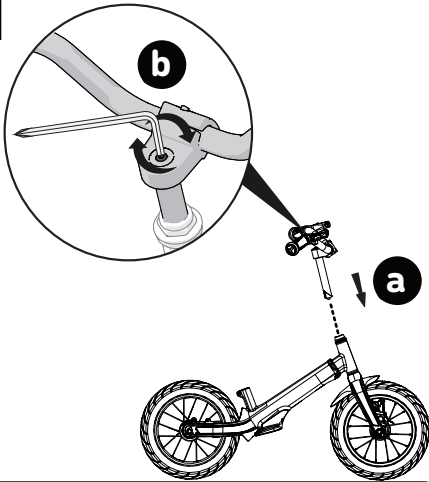
- A. Connect the front and back halves of the bike.
- B. Tighten the nut and screw to lock the pieces in place.



5MM



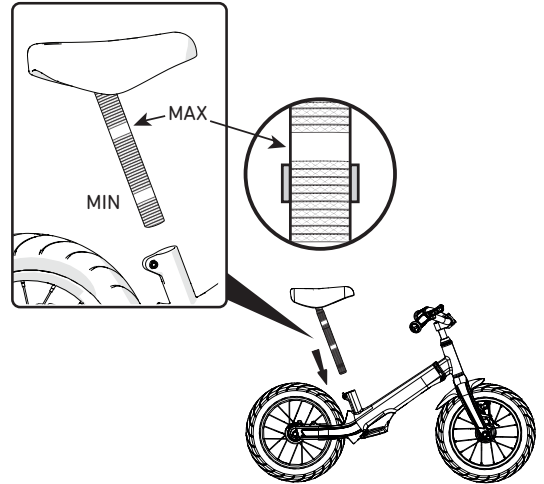
2



- A. Insert the handlebar into the front fork of the bike.
- B. Tighten the bolt at the top of the handlebar to secure it in place.

3

- Install the bike seat into the base of the bike.
- Make sure to install the seat between the MIN and MAX lines located on the seat bar.

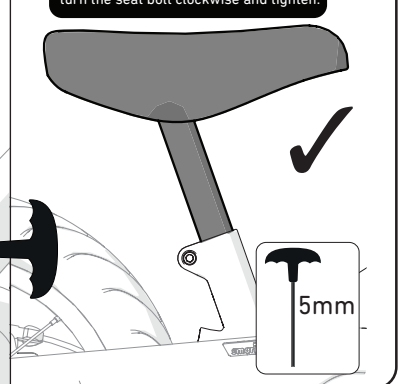
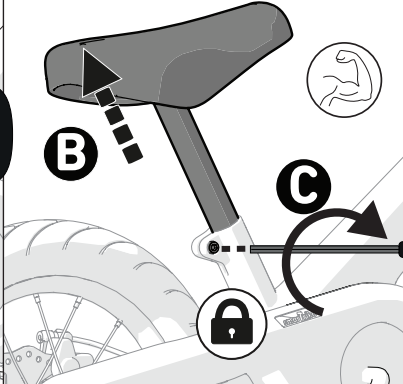
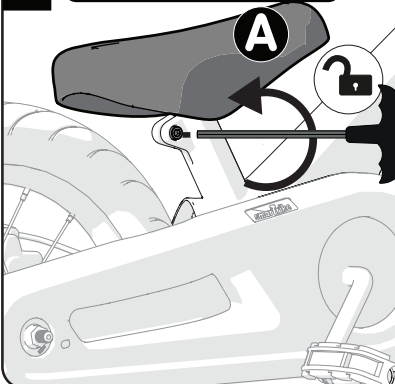


4

- To adjust the height of the seat, turn the seat bolt counter-clockwise.

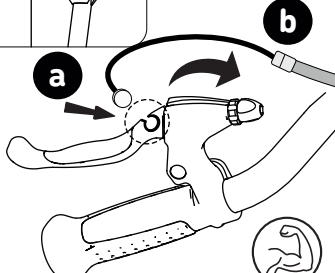
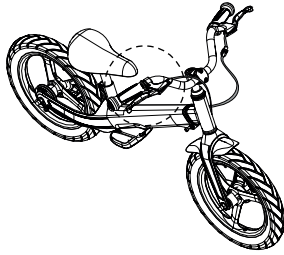
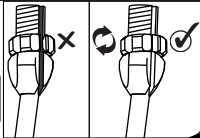
Raise the seat to the desired height.

- To lock the seat in place, turn the seat bolt clockwise and tighten.



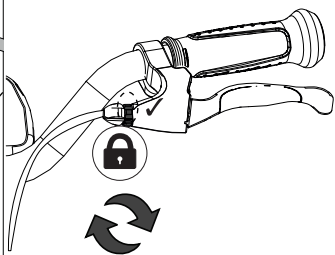
5

A. To install the brakes, pull back the silver bolt to expose the brake line, and insert the end of the brake line into the designated hole located on the brake lever.

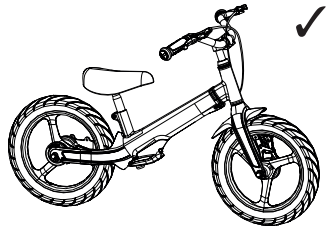
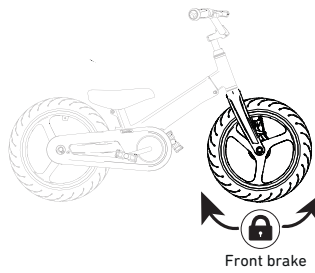
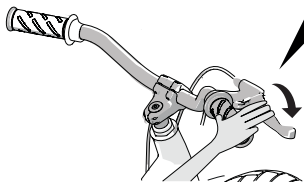


B. Tightly fasten the brake line to the body of the brake handle.

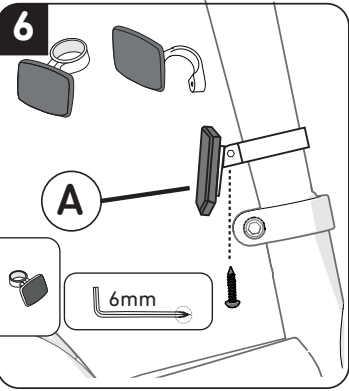
C. Test the brakes to make sure they are functioning.



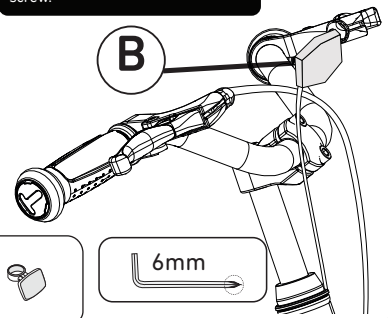
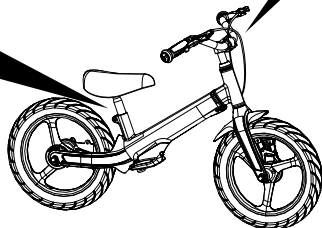
! Front brake



6

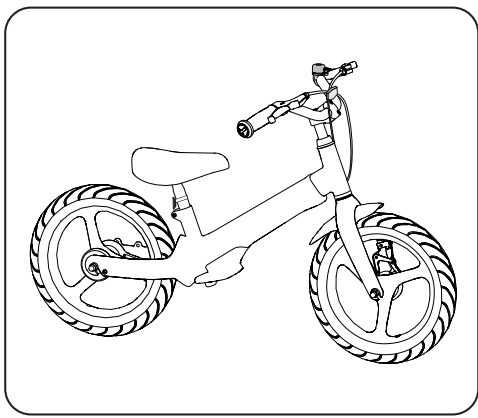
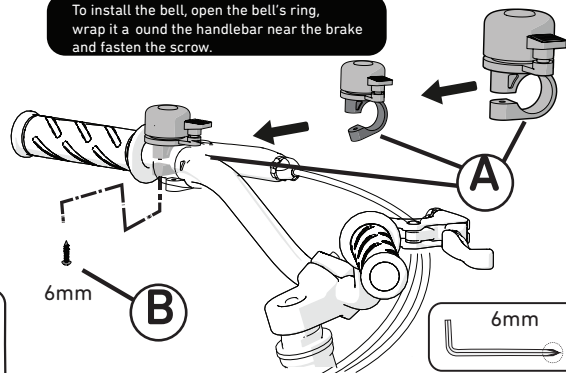


B. To install the reflector on the front of the bike, open the reflector's ring, wrap it around the handlebar facing the front of the bike, and fasten the screw.

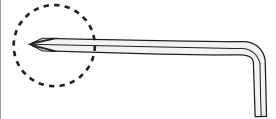
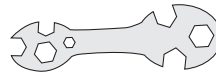
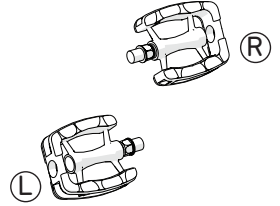
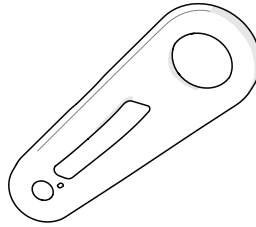
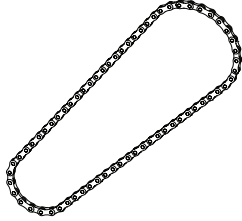
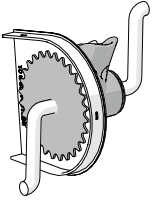
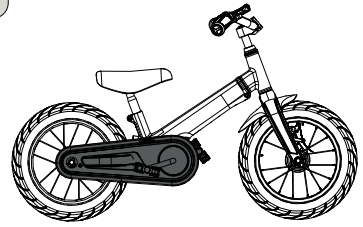
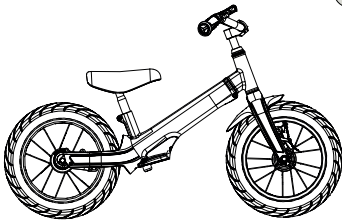


7

To install the bell, open the bell's ring, wrap it around the handlebar near the brake and fasten the screw.



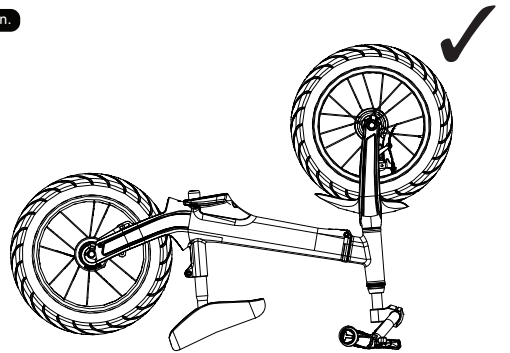
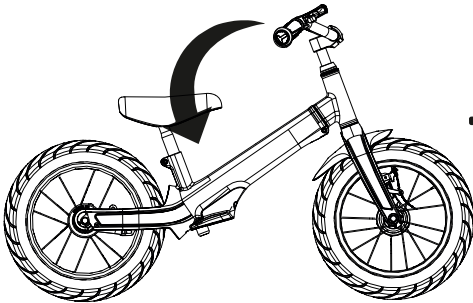
Installing the Pedals



6mm

1

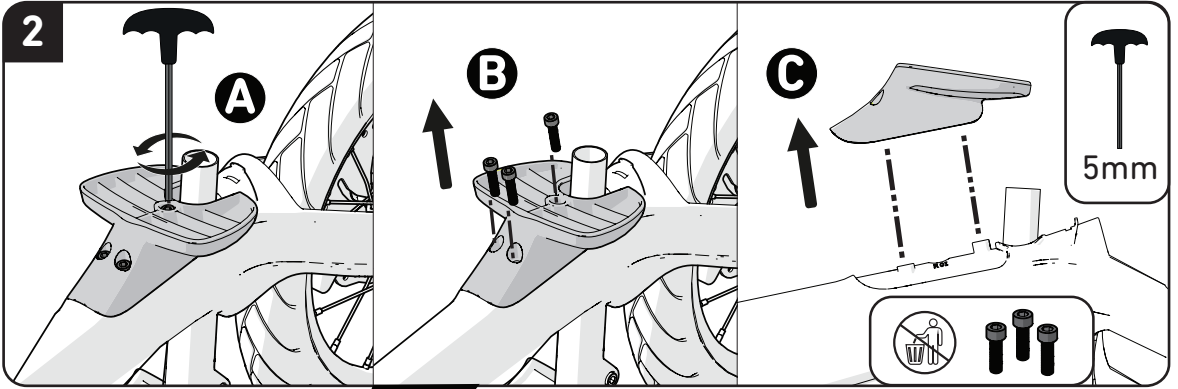
Turn the bike upside down.



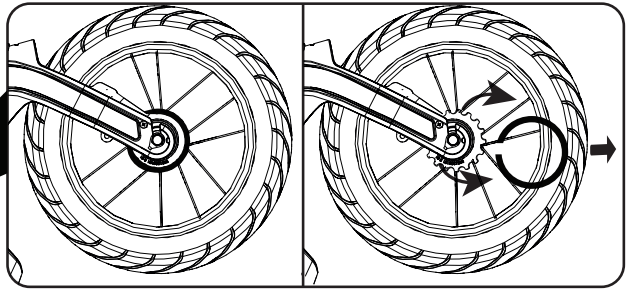
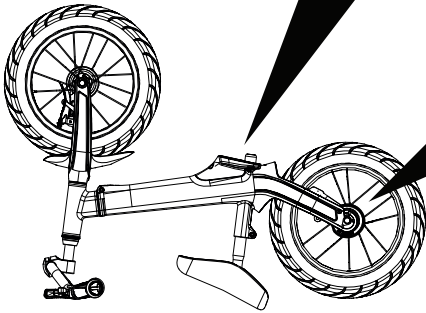
A. Using the provided Allen key, remove the 3 screws in the footrest.

B. Remove the footrest

! Save the screws you have just removed for future steps.



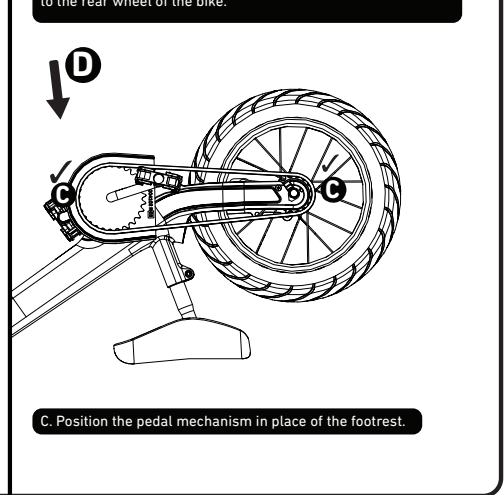
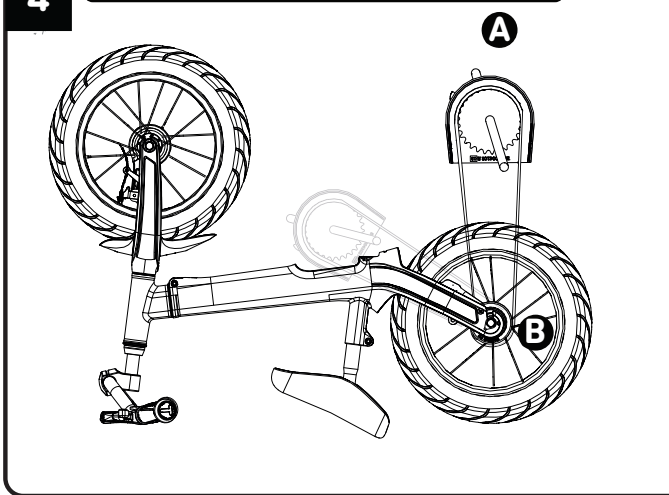
Remove the plastic ring covering the gear on the back wheel.



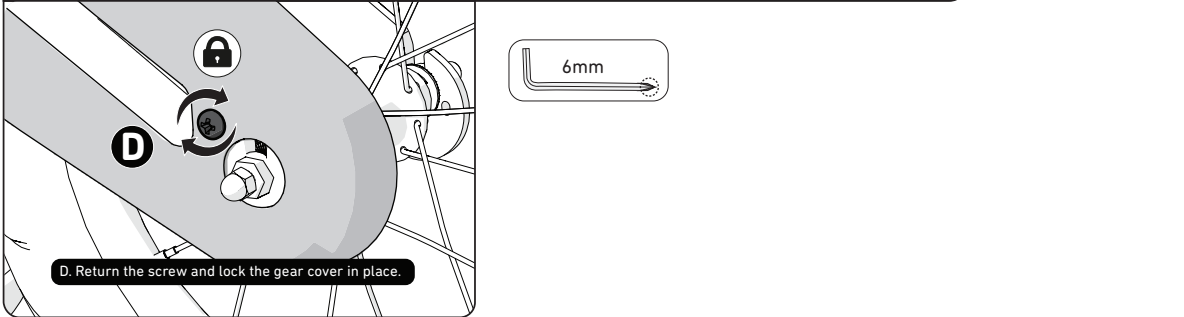
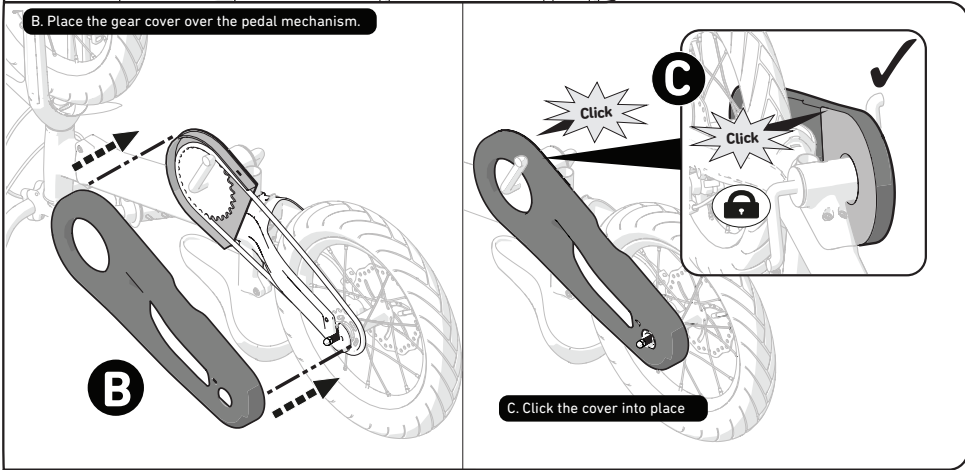
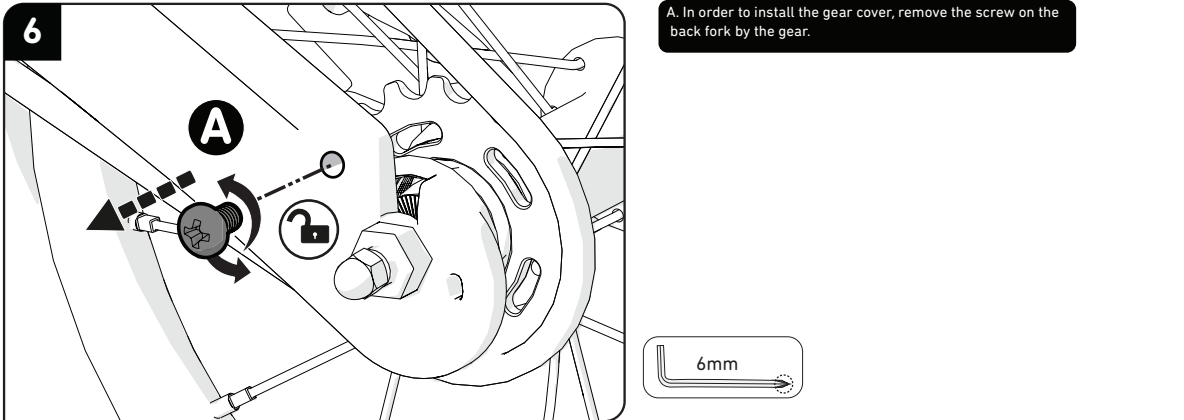
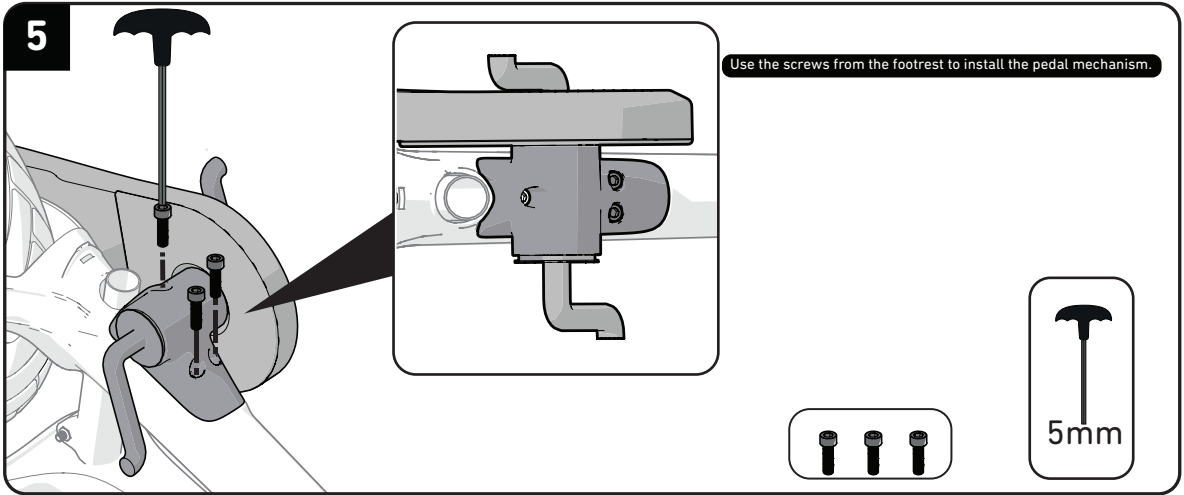
4

A. Install the chain on the large gear attached to the pedal mechanism.

B. Install the other side of the chain on the small gear attached to the rear wheel of the bike.

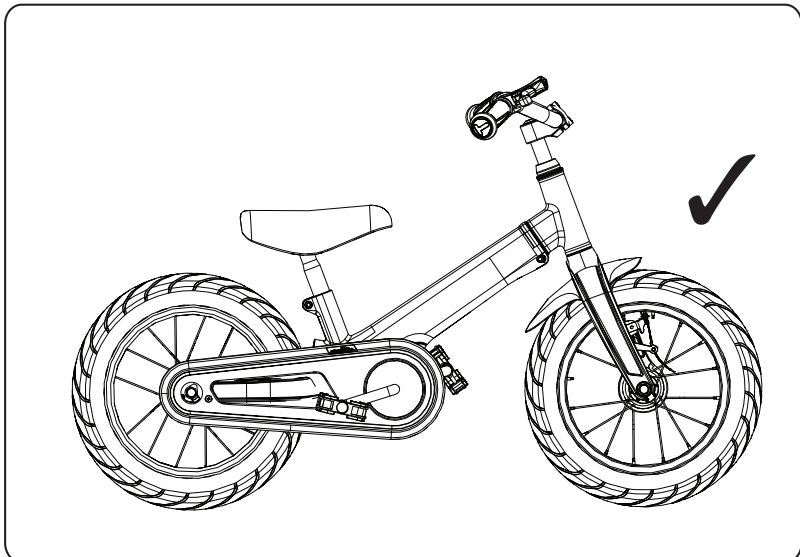
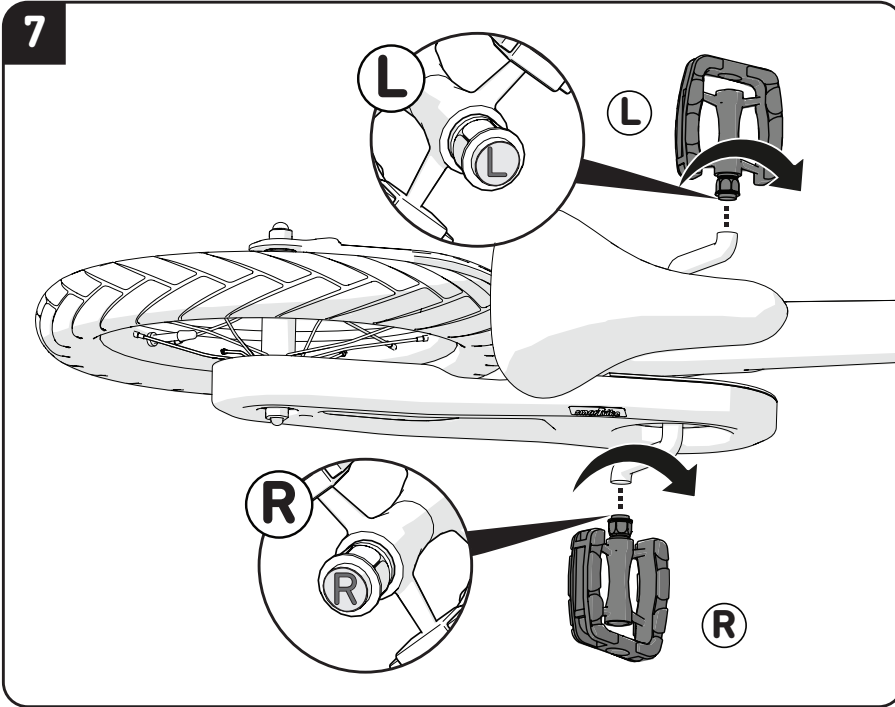


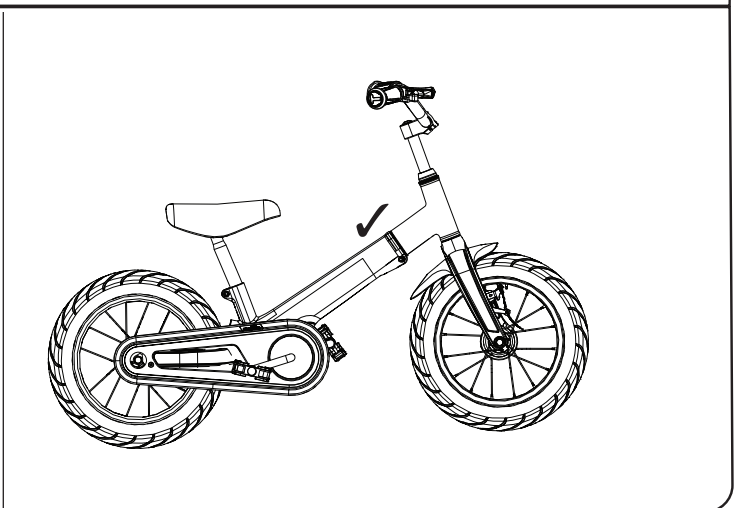
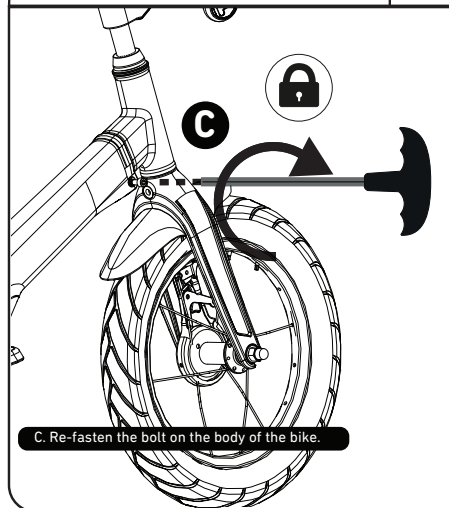
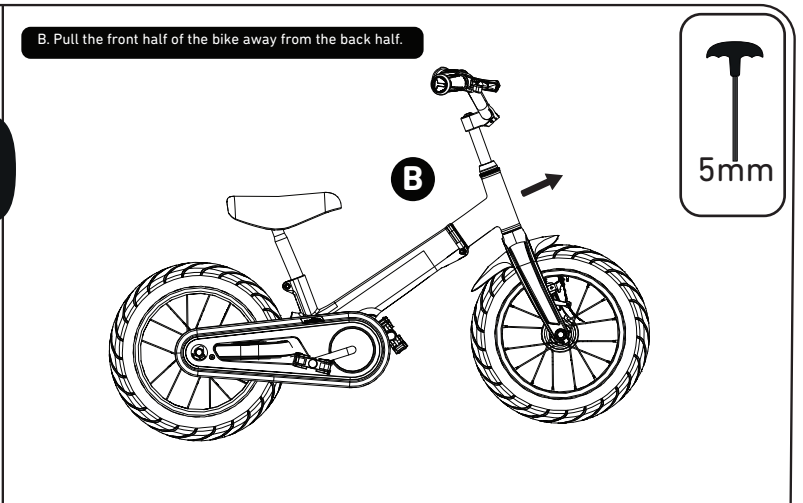
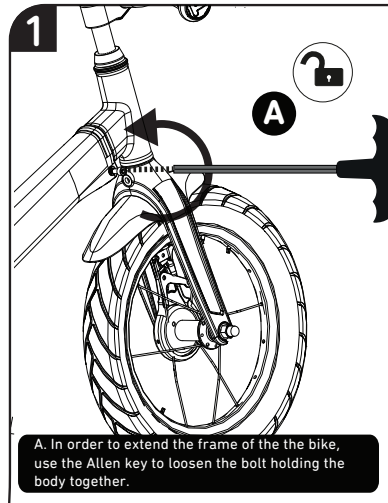
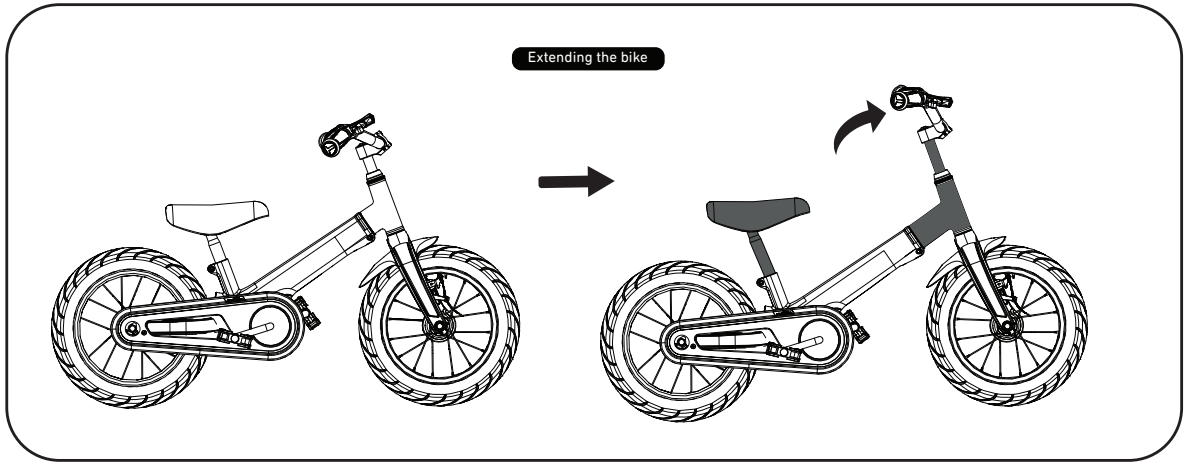
C. Position the pedal mechanism in place of the footrest.



When installing the pedals, check the side indicators (L/R) on the pedals and pedal bars to make sure you are installing them correctly. Once you have matched the right pedal to the right side, use the open wrench to attach the pedals to the pedal bars.

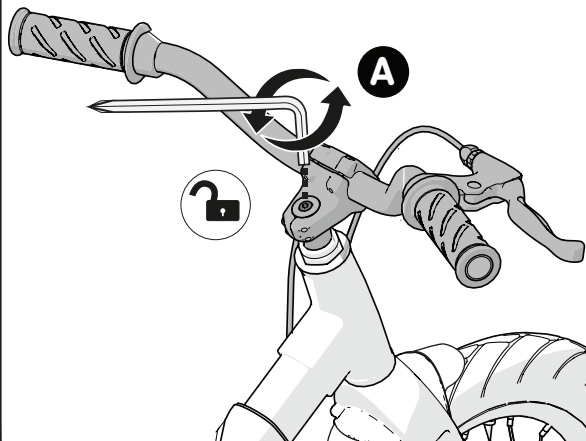
7





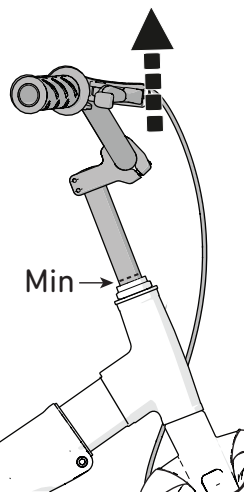
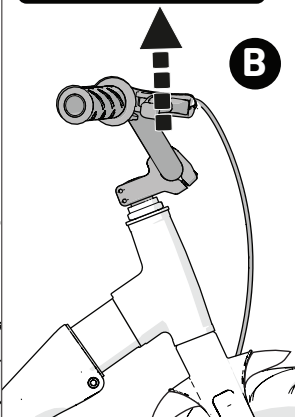
2

A. To raise the handlebar, use the Allen key to loosen the bolt at the top of the handlebar.

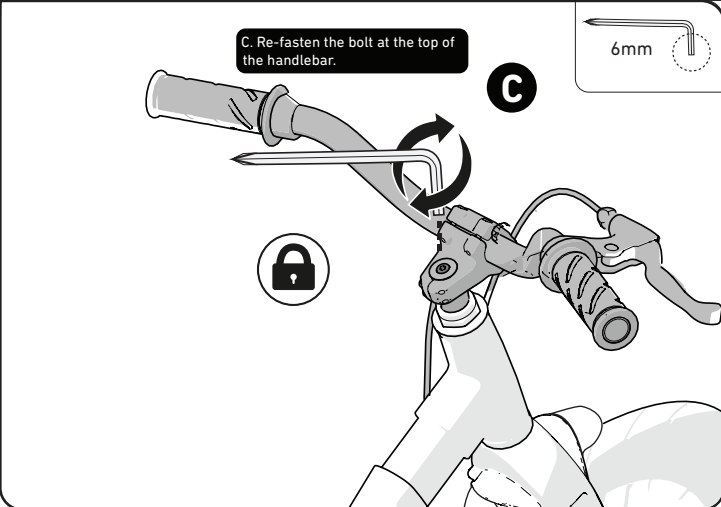


6mm

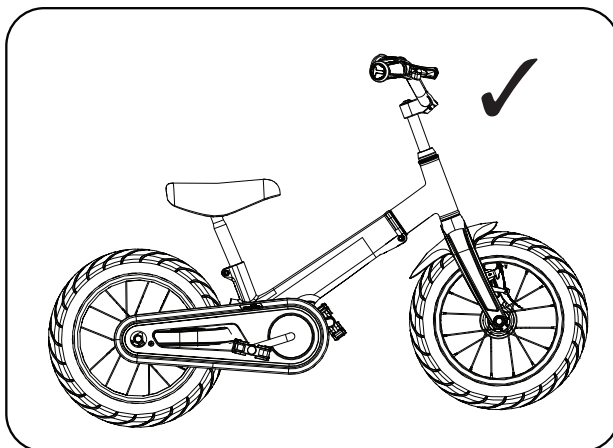
B. Adjust the handlebar accordingly



C. Re-fasten the bolt at the top of the handlebar.



6mm



The Original
smarTrike[®]

By/Par smarTrike[®]



www.smarTrike.com

Find us at @smarTrike

20828279603