

SSD1681

Product Preview

**200 Source x 200 Gate Red/Black/White
Active Matrix EPD Display Driver with Controller**

This document contains information on a product under development. Solomon Systech reserves the right to change or discontinue this product without notice.

<http://www.solomon-systech.com>

SSD1681

Rev 0.13

P 1/41

May 2019

Copyright © 2019 **Solomon Systech Limited**



**SOLOMON
SYSTECH**

Appendix: IC Revision history of SSD1681 Specification

Version	Change Items	Effective Date
0.10	Initial Release	09-May-19
0.11	Revised component table and remarks	24-May-19
0.12	Revised component table, added 0402 and criteria for resistor R1	28-May-19
0.13	Revised component table	05-Jun-19

CONTENTS

1	GENERAL DESCRIPTION	5
2	FEATURES	5
3	ORDERING INFORMATION	6
4	BLOCK DIAGRAM	6
5	PIN DESCRIPTION	7
6	FUNCTIONAL BLOCK DESCRIPTION	10
6.1	MCU INTERFACE	10
6.1.1	MCU INTERFACE SELECTION.....	10
6.1.2	MCU SERIAL INTERFACE (4-WIRE SPI)	10
6.1.3	MCU SERIAL PERIPHERAL INTERFACE (3-WIRE SPI)	11
6.2	OSCILLATOR.....	12
6.3	BOOSTER & REGULATOR.....	12
6.4	VCOM SENSING	12
6.5	RAM	13
6.6	PROGRAMMABLE WAVEFORM FOR GATE, SOURCE AND VCOM.....	13
6.7	WAVEFORM SETTING	15
6.8	TEMPERATURE SEARCHING.....	16
6.8.1	INTERNAL TEMPERATURE SENSOR	16
6.8.2	EXTERNAL TEMPERATURE SENSOR I2C SINGLE MASTER INTERFACE	16
6.8.3	FORMAT OF TEMPERATURE VALUE	16
6.9	WAVEFORM SETTING SEARCHING MECHANISM	17
6.10	ONE TIME PROGRAMMABLE (OTP) MEMORY.....	18
6.11	THE FORMAT FOR TEMPERATURE RANGE (TR)	18
6.12	VCI DETECTION	19
6.13	HV READY DETECTION	19
7	COMMAND TABLE	20
8	OPERATION FLOW AND CODE SEQUENCE	34
8.1	GENERAL OPERATION FLOW TO DRIVE DISPLAY PANEL	34
9	ABSOLUTE MAXIMUM RATING	35
10	ELECTRICAL CHARACTERISTICS	35
11	AC CHARACTERISTICS	37
11.1	SERIAL PERIPHERAL INTERFACE.....	37
12	APPLICATION CIRCUIT	38
13	PACKAGE INFORMATION	39
13.1	DIE TRAY DIMENSIONS FOR SSD1681Z	39
13.2	DIE TRAY DIMENSIONS FOR SSD1681Z8	40

TABLES

TABLE 3-1 : ORDERING INFORMATION	6
TABLE 5-1: POWER SUPPLY PINS	7
TABLE 5-2: INTERFACE LOGIC PINS.....	8
TABLE 5-3: ANALOG PINS.....	9
TABLE 5-4: DRIVER OUTPUT PINS.....	9
TABLE 5-5: MISCELLANEOUS PINS	9
TABLE 6-1 : INTERFACE PINS ASSIGNMENT UNDER DIFFERENT MCU INTERFACE	10
TABLE 6-2 : CONTROL PINS STATUS OF 4-WIRE SPI	10
TABLE 6-3 : CONTROL PINS STATUS OF 3-WIRE SPI	11
TABLE 6-4 : RAM BIT AND LUT MAPPING FOR 3-COLOR DISPLAY.....	13
TABLE 6-5 : RAM BIT AND LUT MAPPING FOR BLACK/WHITE DISPLAY	13
TABLE 6-6 : VS[NX-LUTM] SETTINGS FOR SOURCE VOLTAGE AND VCOM VOLTAGE	14
TABLE 6-7 : EXAMPLE OF 12-BIT BINARY TEMPERATURE SETTINGS FOR TEMPERATURE RANGES	16
TABLE 6-8 : EXAMPLE OF WAVEFORM SETTINGS SELECTION BASED ON TEMPERATURE RANGES.	17
TABLE 7-1: COMMAND TABLE	20
TABLE 10-1 : MAXIMUM RATINGS	35
TABLE 11-1: DC CHARACTERISTICS.....	35
TABLE 11-2: REGULATORS CHARACTERISTICS	36
TABLE 12-1 : SERIAL PERIPHERAL INTERFACE TIMING CHARACTERISTICS	37
TABLE 13-1: COMPONENT LIST FOR SSD1681 APPLICATION CIRCUIT	38

FIGURES

FIGURE 4-1 : SSD1681 BLOCK DIAGRAM.....	6
FIGURE 6-1 : WRITE PROCEDURE IN 4-WIRE SPI MODE	10
FIGURE 6-2 : READ PROCEDURE IN 4-WIRE SPI MODE.....	11
FIGURE 6-3 : WRITE PROCEDURE IN 3-WIRE SPI.....	11
FIGURE 6-4 : READ PROCEDURE IN 3-WIRE SPI MODE.....	12
FIGURE 6-5 : GATE WAVEFORM AND PROGRAMMABLE SOURCE AND VCOM WAVEFORM ILLUSTRATION.....	13
FIGURE 6-6 : WAVEFORM SETTING MAPPING	15
FIGURE 6-7 : THE WAVEFORM SETTING MAPPING IN OTP FOR WAVEFORM SETTING AND TEMPERATURE RANGE .	18
FIGURE 6-8 : FORMAT OF TEMPERATURE RANGE (TR) IN OTP	18
FIGURE 9-1: OPERATION FLOW TO DRIVE DISPLAY PANEL	34
FIGURE 12-1: SPI TIMING DIAGRAM.....	37
FIGURE 13-1: SCHEMATIC OF SSD1681 APPLICATION CIRCUIT	38
FIGURE 14-1 : SSD1681Z DIE TRAY INFORMATION (UNIT: MM)	39
FIGURE 14-2 : SSD1681Z8 DIE TRAY INFORMATION (UNIT: MM)	40

1 GENERAL DESCRIPTION

SSD1681 is an Active Matrix EPD display driver with controller for Red/Black/White EPD displays.

It consists of 200 source outputs, 200 gate outputs, 1 VCOM and 1VBD (for border), which can support displays with resolution up to 200x200.

In the SSD1681, data and commands are sent from MCU through hardware selectable serial peripheral interface. It has embedded booster, regulator and oscillator which is suitable for EPD display applications.

2 FEATURES

- Design for dot matrix type active matrix EPD display, support Red/Black/White color
- Resolution: 200 source outputs, 200 gate outputs, 1 VCOM and 1VBD (for border)
- Power supply:
 - VCI: 2.2 to 3.7V
 - VDDIO: Connect to VCI
 - VDD: 1.8V, regulate from VCI supply
- On chip display RAM
 - Mono B/W: 200x200 bits
 - Mono Red: 200x200 bits
- On-chip booster and regulator for generating VCOM, Gate and Source driving voltage
- Gate driving output voltage: 2-level outputs (VGH, VGL), Max 40Vp-p
 - VGH: 10V to 20V (Voltage adjustment step: 500mV)
 - VGL: -VGH (Voltage adjustment step: 500mV)
- Source / VBD driving output voltage: 4-levels outputs (VSH1, VSH2, VSS and VSL)
 - VSH1/VSH2: 2.4V to 17V (Voltage adjustment step: 100mV for 2.4V to 8.8V, 200mV for 8.8V to 17V)
 - VSL: -5V to -17V (Voltage adjustment step: 500mV)
- VCOM output voltage
 - DCVCOM: -3V to -0.2V in 100mV resolution
 - ACVCOM: 3-level outputs (VSH1+DCVCOM, DCVCOM, VSL+DCVCOM)
- On-chip oscillator, adjustable frame rate from 25Hz to 200Hz
- Programmable output Waveform Settings:
 - Individual setting of 5 LUT [LUT0~4]
 - VS: 2-bit per 4 phases
 - Common setting of 5 LUT
 - 48 phases (4 phases/group, 12 groups with repeat and state repeat function)
 - TP: Max. 255 frame/phase
 - RP: 1 to 256 times for repeat count
 - SR: 1 to 256 times for state repeat count; state repeat count for phase A,B and 1 state repeat count for phase C,D
 - FR: Selective Frame Rate for each group
- Embedded OTP to store the waveform settings and parameters:
 - 36 sets of Waveform Settings (WS) including
 - waveform look up table (LUT),
 - Gate/Source voltage, VCOM value
 - Option for LUT end
 - 36 sets of Temperature Range (TR)
 - Display mode selection
 - 4-byte waveform version
 - 10-byte User ID
- Embedded OTP to store the init code setting
- VCI low voltage detection
- Internal Temperature Sensor of +/-2degC accuracy from -25degC to 50degC
- I2C single master interface to communicate with external temperature sensor
- MCU interface: 4-wire or 3-wire Serial peripheral interface (maximum SPI write speed 20MHz)
- Available in COG package

3 ORDERING INFORMATION

Table 3-1 : Ordering Information

Ordering Part Number	Package Form	Remark
SSD1681Z	Gold Bump Die	Bump Face Up On Waffle pack Die thickness: 300um Bump height: 12um
SSD1681Z8	Gold Bump Die	Bump Face Down On Waffle pack Die thickness: 300um Bump height: 12um

4 BLOCK DIAGRAM

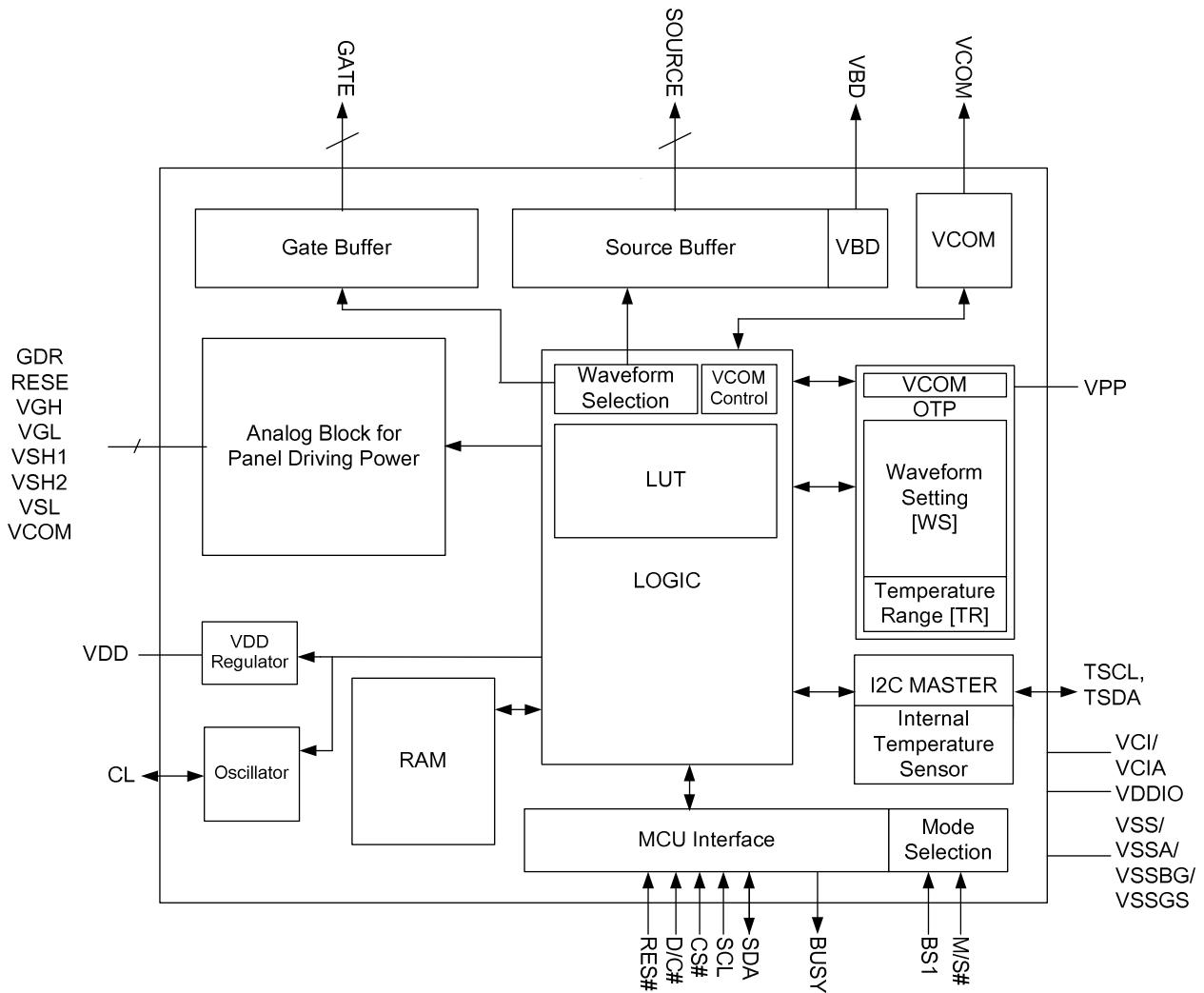


Figure 4-1 : SSD1681 Block Diagram

5 PIN DESCRIPTION

Key:

I = Input

O =Output

IO = Bi-directional (input/output)

P = Power pin

C = Capacitor Pin

NC = Not Connected

Table 5-1: Power Supply Pins

Name	Type	Connect to	Function	Description	When not in use
VCI	P	Power Supply	Power Supply	Power input pin for the chip.	-
VCIA	P	Power Supply	Power Supply	Power input pin for the chip. - Connect to VCI in the application circuit.	-
VDDIO	P	Power Supply	Power for interface logic pins	Power input pin for the Interface. - Connect to VCI in the application circuit.	-
VDD	P	Capacitor	Regulator output	Core logic power pin VDD can be regulated internally from VCI.	-
VSS	P	VSS	GND	Ground (Digital).	-
VSSA	P	VSS	GND	Ground (Analog) - Connect to VSS in the application circuit.	-
VSSBG	P	VSS	GND	Ground (Reference) pin. - Connect to VSS in the application circuit.	-
VSSGS	P	VSS	GND	Ground (Output) pin. - Connect to VSS in the application circuit.	-
VPP	P	Power Supply	OTP power	Power Supply for OTP Programming.	Open

Table 5-2: Interface Logic Pins

Name	Type	Connect to	Function	Description	When not in use						
SCL	I	MPU	Data Bus	This pin is serial clock pin for interface. Refer to MCU interface in Section 6.1.	-						
SDA	I/O	MPU	Data Bus	This pin is serial data pin for interface. Refer to MCU interface in Section 6.1.	-						
CS#	I	MPU	Logic Control	This pin is the chip select input connecting to the MCU. Refer to MCU interface in Section 6.1.	VDDIO or VSS						
D/C#	I	MPU	Logic Control	This pin is Data/Command control pin connecting to the MCU. Refer to MCU interface in Section 6.1.	VDDIO or VSS						
RES#	I	MPU	System Reset	This pin is reset signal input. Active Low.	-						
BUSY	O	MPU	Device Busy Signal	This pin is Busy state output pin. When Busy is High, the operation of the chip should not be interrupted, and command should not be sent. For example., The chip would output Busy pin as High when - Outputting display waveform; or - Programming with OTP - Communicating with digital temperature sensor	Open						
M/S#	I	VDDIO/VSS	Mode Selection	This pin is Master and Slave selection pin. - The M/S# pin should be connected to VDDIO.	-						
CL	I/O	NC	Clock signal	This pin is the clock signal pin and should be left open.	Open						
BS1	I	VDDIO/VSS	MCU Interface Mode Selection	This pin is for selecting 3-wire or 4-wire SPI bus. <table border="1" style="margin-left: auto; margin-right: auto;"> <thead> <tr> <th>BS1</th> <th>MCU Interface</th> </tr> </thead> <tbody> <tr> <td>L</td> <td>4-wire SPI</td> </tr> <tr> <td>H</td> <td>3-wire SPI (9-bit SPI)</td> </tr> </tbody> </table>	BS1	MCU Interface	L	4-wire SPI	H	3-wire SPI (9-bit SPI)	-
BS1	MCU Interface										
L	4-wire SPI										
H	3-wire SPI (9-bit SPI)										
TSDA	I/O	Temperature sensor SDA	Interface to Digital Temp. Sensor	This pin is I ² C Interface to digital temperature sensor Data pin. External pull up resistor is required when connecting to I ² C slave.	Open						
TSCL	O	Temperature sensor SCL	Interface to Digital Temp. Sensor	This pin is I ² C Interface to digital temperature sensor Clock pin. External pull up resistor is required when connecting to I ² C slave.	Open						

Table 5-3: Analog Pins

Name	Type	Connect to	Function	Description	When not in use
GDR	O	POWER MOSFET Driver Control	VGH, VGL Generation	This pin is N-Channel MOSFET gate drive control pin.	-
RESE	I	Booster Control Input		This pin is Current sense input pin for the control Loop.	-
VGH	C	Stabilizing capacitor		This pin is Positive Gate driving voltage. Connect a stabilizing capacitor between VGH and VSS in the application circuit.	-
VGL	C	Stabilizing capacitor		This pin is Negative Gate driving voltage. Connect a stabilizing capacitor between VGL and VSS in the application circuit.	-
VSH1	C	Stabilizing capacitor	VSH1, VSH2, VSL Generation	This pin is Positive Source driving voltage, VSH1 Connect a stabilizing capacitor between VSH1 and VSS in the application circuit.	-
VSH2	C	Stabilizing capacitor		This pin is Positive Source driving voltage, VSH2 Connect a stabilizing capacitor between VSH2 and VSS in the application circuit.	-
VSL	C	Stabilizing capacitor		This pin is Negative Source driving voltage. Connect a stabilizing capacitor between VSL and VSS in the application circuit.	-
VCOM	C	Panel/ Stabilizing capacitor	VCOM Generation	This pins is VCOM driving voltage Connect a stabilizing capacitor between VCOM and VSS in the application circuit.	-

Table 5-4: Driver Output Pins

Name	Type	Connect to	Function	Description	When not in use
S [199:0]	O	Panel	Source driving signal	Source output pin.	Open
G [199:0]	O	Panel	Gate driving signal	Gate output pin.	Open
VBD	O	Panel	Border driving signal	Border output pin.	Open

Table 5-5: Miscellaneous Pins

Name	Type	Connect to	Function	Description	When not in use
NC	NC	NC	Not Connected	This is dummy pin. It should not be connected with other NC pins.	Open
RSV	NC	NC	Reserved	This is a reserved pin and should be kept open.	Open
TPA, TPB, TPC, TPD, TPF, FB	NC	NC	Reserved for Testing	Reserved pins. - Keep open. - Do not connect to other NC pins and test pins including TPA, TPB, TPC, TPD, TPE, TPF, TIN and FB.	Open
TIN	I	NC	Reserved for Testing	This is a reserved pin and should be kept open.	Open
TPE	O	NC	Reserved for Testing	This is a reserved pin and should be kept open.	Open

6 Functional Block Description

6.1 MCU Interface

6.1.1 MCU Interface selection

The SSD1681 can support 3-wire/4-wire serial peripheral. MCU interface is pin selectable by BS1 shown in Table 6-1.

Table 6-1 : Interface pins assignment under different MCU interface

MCU Interface	Pin Name					
	BS1	RES#	CS#	D/C#	SCL	SDA
4-wire serial peripheral interface (SPI)	L	RES#	CS#	DC#	SCL	SDA
3-wire serial peripheral interface (SPI) – 9 bits SPI	H	RES#	CS#	L	SCL	SDA

Note

(1) L is connected to V_{SS} and H is connected to V_{DDIO}

6.1.2 MCU Serial Interface (4-wire SPI)

The 4-wire SPI consists of serial clock SCL, serial data SDA, D/C# and CS#. The control pins status in 4-wire SPI in writing command/data is shown in Table 6-2 and the write procedure 4-wire SPI is shown in Table 6-2

Table 6-2 : Control pins status of 4-wire SPI

Function	SCL pin	SDA pin	D/C# pin	CS# pin
Write command	↑	Command bit	L	L
Write data	↑	Data bit	H	L

Note:

- (1) L is connected to V_{SS} and H is connected to V_{DDIO}
- (2) ↑ stands for rising edge of signal
- (3) SDA (Write Mode) is shifted into an 8-bit shift register on every rising edge of SCL in the order of D7, D6, ... D0. The level of D/C# should be kept over the whole byte. The data byte in the shift register is written to the Graphic Display Data RAM (RAM)/Data Byte register or command Byte register according to D/C# pin.

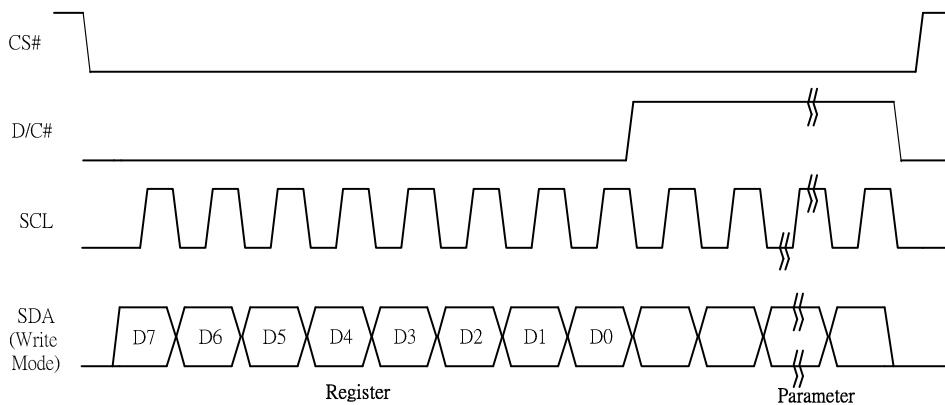


Figure 6-1 : Write procedure in 4-wire SPI mode

In the read operation (Command 0x1B, 0x27, 0x2D, 0x2E, 0x2F, 0x35). After CS# is pulled low, the first byte sent is command byte, D/C# is pulled low. After command byte sent, the following byte(s) read are data byte(s), so D/C# bit is then pulled high. An 8-bit data will be shifted out on every clock falling edge. The serial data SDA bit shifting sequence is D7, D6, to D0 bit. Figure 6-2 shows the read procedure in 4-wire SPI.

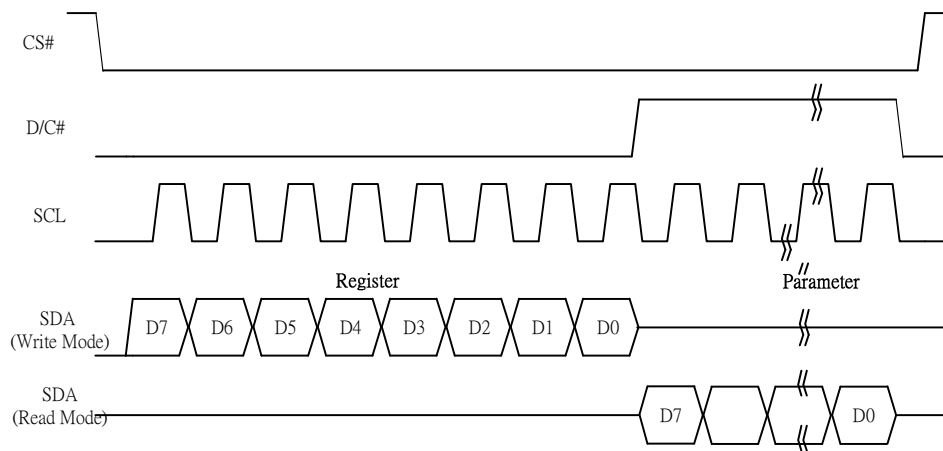


Figure 6-2 : Read procedure in 4-wire SPI mode

6.1.3 MCU Serial Peripheral Interface (3-wire SPI)

The 3-wire SPI consists of serial clock SCL, serial data SDA and CS#. The operation is similar to 4-wire SPI while D/C# pin is not used and it must be tied to LOW. The control pins status in 3-wire SPI is shown in Table 6-3.

In the write operation, a 9-bit data will be shifted into the shift register on every clock rising edge. The bit shifting sequence is D/C# bit, D7 bit, D6 bit to D0 bit. The first bit is D/C# bit which determines the following byte is command or data. When D/C# bit is 0, the following byte is command. When D/C# bit is 1, the following byte is data. Table 6-3 shows the write procedure in 3-wire SPI

Table 6-3 : Control pins status of 3-wire SPI

Function	SCL pin	SDA pin	D/C# pin	CS# pin
Write command	↑	Command bit	Tie LOW	L
Write data	↑	Data bit	Tie LOW	L

Note:

- (1) L is connected to V_{SS} and H is connected to V_{DDIO}
- (2) ↑ stands for rising edge of signal

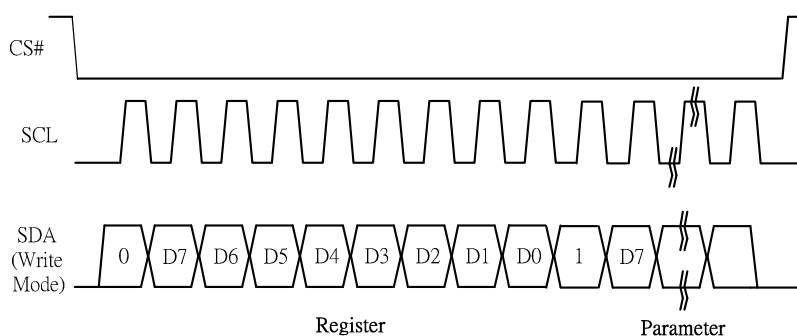


Figure 6-3 : Write procedure in 3-wire SPI

In the read operation (Register 0x1B, 0x27, 0x2D, 0x2E, 0x2F, 0x35). SDA data are transferred in the unit of 9 bits. After CS# pull low, the first byte is command byte, the D/C# bit is as 0 and following with the register byte. After command byte send, the following byte(s) are data byte(s), with D/C# bit is 1. After D/C# bit sending from MCU, an 8-bit data will be shifted out on every clock falling edge. The serial data SDA bit shifting sequence is D7, D6, to D0 bit. Figure 6-4 shows the read procedure in 3-wire SPI.

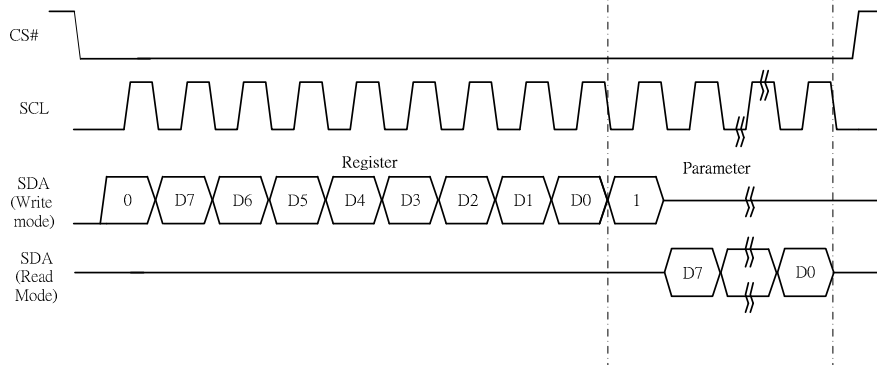


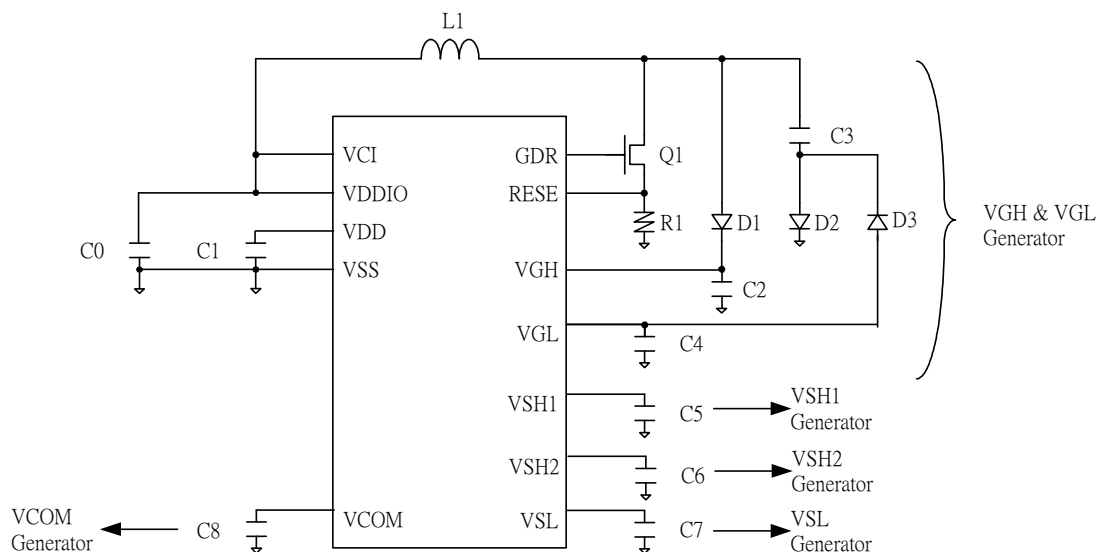
Figure 6-4 : Read procedure in 3-wire SPI mode

6.2 OSCILLATOR

The oscillator module generates the clock reference for waveform timing and analog operations.

6.3 BOOSTER & REGULATOR

A voltage generation system is included in the driver. It provides all necessary driving voltages required for an AMEPD panel including VGH, VGL, VSH1, VSH2, VSL and VCOM. External application circuit is needed to make the on-chip booster & regulator circuit work properly.



6.4 VCOM SENSING

This functional block provides the scheme to select the optimal VCOM DC level. The sensed value can be programmed into OTP.

The flow of VCOM sensing:

- Active Gate is scanning during the VCOM sense Period.
- Source are VSS.
- VCOM pin used for sensing.
- During Sensing period, BUSY is high.
- After Sensing, Active Gate return to non-select stage.

6.5 RAM

The On chip display RAM is holding the image data.

1 set of RAM is built for Mono B/W. The RAM size is 200x200 bits.

1 set of RAM is built for Mono Red. The RAM size is 200x200 bits.

Table 6-4 : RAM bit and LUT mapping for 3-color display

Data bit in R RAM	Data bit in B/W RAM	Image Color	LUT
0	0	Black	LUT 0 for driving Black
0	1	White	LUT 1 for driving White
1	0	Red	LUT 2 for driving Red
1	1	Red	LUT 3 = LUT2

Table 6-5 : RAM bit and LUT mapping for black/white display

Data bit in R RAM	Data bit in B/W RAM	Image Color	LUT
0	0	Black	LUT 0 for driving Black
0	1	White	LUT 1 for driving White
1	0	Black	LUT 2 = LUT0
1	1	White	LUT 3 = LUT1

6.6 Programmable Waveform for Gate, Source and VCOM

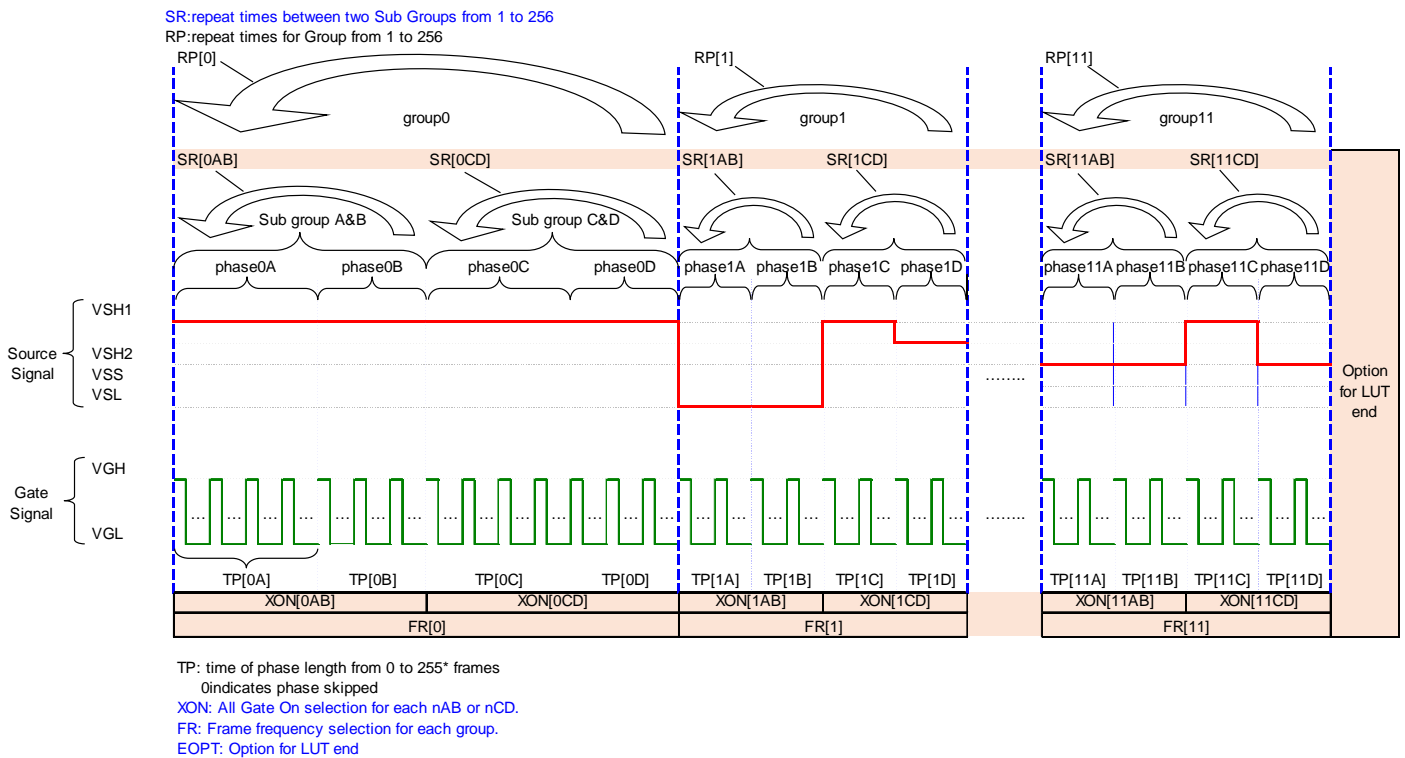


Figure 6-5 : Gate waveform and Programmable Source and VCOM waveform illustration

In the programmable waveform for Source and VCOM, there are 12 groups (Group0 to Group11) and each group has 4 phases (Phase A to Phase D) and 2 state repeats (Phase A and B, Phase C and D). Totally, there are 48 phases. In addition, in each phase, the phase length (TP[nX]) can be set by number of frame from 0 to 255 frames. Also, each group can be repeated with repeat counting number (RP[n]) from 1 to 256 times; each AB / CD phases can be repeated with state repeat counting number (SR[nAB]/SR[nCD]) from 1 to 256 times. For the voltage, there is four levels for Source voltage (VSS, VSH1, VSH2, VSL) and three levels for VCOM voltage (DCVCOM, VSH1+DCVCOM, VSL+DCVOM).

The description of each parameter is as follows.

- 1) TP[nX] represents the phase length set by the number of frame.
 - The range of TP[nX] is from 0 to 255.
 - n represents the Group number from 0 to 11; X represents the phase number from A to D.
 - When TP[nX] = 0, the phase is skipped. When TP[nX] = 1, the phase is 1 frame, and so on. The maximum phase length is 255 frame.

- 2) RP[n] represents the repeat counting number for the Group.
 - The range of RP[n] is from 0 to 255.
 - n represents the Group number from 0 to 11.
 - RP[n] = 0 indicates that the repeat times =1, RP[n] = 1 indicates that the repeat times = 2, and so on. The maximum repeat times is 256.

- 3) SR[nAB] and SR[nCD] represent the state repeat counting number for Phase A & B and Phase C & D respectively.
 - The range of SR[nXY] is from 0 to 255.
 - n represents the Group number from 0 to 11.
 - SR[nXY] = 0 indicates that the repeat times =1, SR[nXY] = 1 indicates that the repeat times = 2, and so on. The maximum repeat times is 256.

- 4) VS[nX-LUTm] represents Source and VCOM voltage level which is used in each phase. Table 6-6 shows the voltage settings for source voltage and VCOM voltage.
 - n represents the Group number from 0 to 11.
 - m represents the LUT number from 0-4.

Table 6-6 : VS[nX-LUTm] settings for Source voltage and VCOM voltage

VS[nX-LUTm]	Source voltage	VCOM voltage
00	VSS	DCVCOM
01	VSH1	VSH1 + DCVCOM
10	VSL	VSL + DCVCOM
11	VSH2	N/A

- 5) FR[n] indicates the frame rate of group n
 - The range of FR [n] is from 0 to 7.
 - n represents the Group number from 0 to 11.

6.7 WAVEFORM SETTING

As described in Section 6.6, parameters VS[nX-LUTm], TP[nX], RP[n], SR[nXY] and FR[n] are used to define the driving waveform. In the SSD1681, there are 159 bytes in the waveform setting to store LUT0, LUT1, LUT2, LUT3 and LUT4, gate voltage, source voltage and frame rate. The waveform LUT of a particular temperature range can be loaded from OTP or written by MCU.

- WS byte 0~152, the content of VS[nX-LUTm], TP[nX], RP[n], SR[nXY] and FR[n] are defined by Register 0x32
- WS byte 153, the content of Option for LUT end, is the parameter belonging to Register 0x3F.
- WS byte 154, the content of gate level, is the parameter defined by Register 0x03.
- WS byte 155~157, the content of source level, is the parameter defined by Register 0x04.
- WS byte 158, the content of VCOM level, is the parameter defined by Register 0x2C.

The SSD1681 waveform setting is shown in Figure 6-6 : Waveform Setting mapping

addr.	D7	D6	D5	D4	D3	D2	D1	D0	addr.	D7	D6	D5	D4	D3	D2	D1	D0
0	VS[0A-L0]		VS[0B-L0]		VS[0C-L0]		VS[0D-L0]		81								TP[3A]
1	VS[1A-L0]		VS[1B-L0]		VS[1C-L0]		VS[1D-L0]		82								TP[3B]
2	VS[2A-L0]		VS[2B-L0]		VS[2C-L0]		VS[2D-L0]		83								SR[3AB]
3	VS[3A-L0]		VS[3B-L0]		VS[3C-L0]		VS[3D-L0]		84								TP[3C]
4	VS[4A-L0]		VS[4B-L0]		VS[4C-L0]		VS[4D-L0]		85								TP[3D]
5	VS[5A-L0]		VS[5B-L0]		VS[5C-L0]		VS[5D-L0]		86								SR[3CD]
6	VS[6A-L0]		VS[6B-L0]		VS[6C-L0]		VS[6D-L0]		87								RP[3]
7	VS[7A-L0]		VS[7B-L0]		VS[7C-L0]		VS[7D-L0]		88								TP[4A]
8	VS[8A-L0]		VS[8B-L0]		VS[8C-L0]		VS[8D-L0]		89								TP[4B]
9	VS[9A-L0]		VS[9B-L0]		VS[9C-L0]		VS[9D-L0]		90								SR[4AB]
10	VS[10A-L0]		VS[10B-L0]		VS[10C-L0]		VS[10D-L0]		91								TP[4C]
11	VS[11A-L0]		VS[11B-L0]		VS[11C-L0]		VS[11D-L0]		92								TP[4D]
12	VS[0A-L1]		VS[0B-L1]		VS[0C-L1]		VS[0D-L1]		93								SR[4CD]
13	VS[1A-L1]		VS[1B-L1]		VS[1C-L1]		VS[1D-L1]		94								RP[4]
14	VS[2A-L1]		VS[2B-L1]		VS[2C-L1]		VS[2D-L1]		95								TP[5A]
15	VS[3A-L1]		VS[3B-L1]		VS[3C-L1]		VS[3D-L1]		96								TP[5B]
16	VS[4A-L1]		VS[4B-L1]		VS[4C-L1]		VS[4D-L1]		97								SR[5AB]
17	VS[5A-L1]		VS[5B-L1]		VS[5C-L1]		VS[5D-L1]		98								TP[5C]
18	VS[6A-L1]		VS[6B-L1]		VS[6C-L1]		VS[6D-L1]		99								TP[5D]
19	VS[7A-L1]		VS[7B-L1]		VS[7C-L1]		VS[7D-L1]		100								SR[5CD]
20	VS[8A-L1]		VS[8B-L1]		VS[8C-L1]		VS[8D-L1]		101								RP[5]
21	VS[9A-L1]		VS[9B-L1]		VS[9C-L1]		VS[9D-L1]		102								TP[6A]
22	VS[10A-L1]		VS[10B-L1]		VS[10C-L1]		VS[10D-L1]		103								TP[6B]
23	VS[11A-L1]		VS[11B-L1]		VS[11C-L1]		VS[11D-L1]		104								SR[6AB]
24	VS[0A-L2]		VS[0B-L2]		VS[0C-L2]		VS[0D-L2]		105								TP[6C]
25	VS[1A-L2]		VS[1B-L2]		VS[1C-L2]		VS[1D-L2]		106								TP[6D]
26	VS[2A-L2]		VS[2B-L2]		VS[2C-L2]		VS[2D-L2]		107								SR[6CD]
27	VS[3A-L2]		VS[3B-L2]		VS[3C-L2]		VS[3D-L2]		108								RP[6]
28	VS[4A-L2]		VS[4B-L2]		VS[4C-L2]		VS[4D-L2]		109								TP[7A]
29	VS[5A-L2]		VS[5B-L2]		VS[5C-L2]		VS[5D-L2]		110								TP[7B]
30	VS[6A-L2]		VS[6B-L2]		VS[6C-L2]		VS[6D-L2]		111								SR[7AB]
31	VS[7A-L2]		VS[7B-L2]		VS[7C-L2]		VS[7D-L2]		112								TP[7C]
32	VS[8A-L2]		VS[8B-L2]		VS[8C-L2]		VS[8D-L2]		113								TP[7D]
33	VS[9A-L2]		VS[9B-L2]		VS[9C-L2]		VS[9D-L2]		114								SR[7CD]
34	VS[10A-L2]		VS[10B-L2]		VS[10C-L2]		VS[10D-L2]		115								RP[7]
35	VS[11A-L2]		VS[11B-L2]		VS[11C-L2]		VS[11D-L2]		116								TP[8A]
36	VS[0A-L3]		VS[0B-L3]		VS[0C-L3]		VS[0D-L3]		117								TP[8B]
37	VS[1A-L3]		VS[1B-L3]		VS[1C-L3]		VS[1D-L3]		118								SR[8AB]
38	VS[2A-L3]		VS[2B-L3]		VS[2C-L3]		VS[2D-L3]		119								TP[8C]
39	VS[3A-L3]		VS[3B-L3]		VS[3C-L3]		VS[3D-L3]		120								TP[8D]
40	VS[4A-L3]		VS[4B-L3]		VS[4C-L3]		VS[4D-L3]		121								SR[8CD]
41	VS[5A-L3]		VS[5B-L3]		VS[5C-L3]		VS[5D-L3]		122								RP[8]
42	VS[6A-L3]		VS[6B-L3]		VS[6C-L3]		VS[6D-L3]		123								TP[9A]
43	VS[7A-L3]		VS[7B-L3]		VS[7C-L3]		VS[7D-L3]		124								TP[9B]
44	VS[8A-L3]		VS[8B-L3]		VS[8C-L3]		VS[8D-L3]		125								SR[9AB]
45	VS[9A-L3]		VS[9B-L3]		VS[9C-L3]		VS[9D-L3]		126								TP[9C]
46	VS[10A-L3]		VS[10B-L3]		VS[10C-L3]		VS[10D-L3]		127								TP[9D]
47	VS[11A-L3]		VS[11B-L3]		VS[11C-L3]		VS[11D-L3]		128								SR[9CD]
48	VS[0A-L4]		VS[0B-L4]		VS[0C-L4]		VS[0D-L4]		129								RP[9]
49	VS[1A-L4]		VS[1B-L4]		VS[1C-L4]		VS[1D-L4]		130								TP[10A]
50	VS[2A-L4]		VS[2B-L4]		VS[2C-L4]		VS[2D-L4]		131								TP[10B]
51	VS[3A-L4]		VS[3B-L4]		VS[3C-L4]		VS[3D-L4]		132								SR[10AB]
52	VS[4A-L4]		VS[4B-L4]		VS[4C-L4]		VS[4D-L4]		133								TP[10C]
53	VS[5A-L4]		VS[5B-L4]		VS[5C-L4]		VS[5D-L4]		134								TP[10D]
54	VS[6A-L4]		VS[6B-L4]		VS[6C-L4]		VS[6D-L4]		135								SR[10CD]
55	VS[7A-L4]		VS[7B-L4]		VS[7C-L4]		VS[7D-L4]		136								RP[10]
56	VS[8A-L4]		VS[8B-L4]		VS[8C-L4]		VS[8D-L4]		137								TP[11A]
57	VS[9A-L4]		VS[9B-L4]		VS[9C-L4]		VS[9D-L4]		138								TP[11B]
58	VS[10A-L4]		VS[10B-L4]		VS[10C-L4]		VS[10D-L4]		139								SR[11AB]
59	VS[11A-L4]		VS[11B-L4]		VS[11C-L4]		VS[11D-L4]		140								TP[11C]
60									141								TP[11D]
61									142								SR[11CD]
62									143								RP[11]
63									144								
64									145								
65									146								
66									147								
67									148								
68									149								
69									150								
70									151								
71									152								
72									153								
73									154								
74									155								
75									156								
76									157								
77									158								
78																	
79																	
80																	

Figure 6-6 : Waveform Setting mapping

6.8 Temperature Searching

The SSD1681 has internal temperature sensor to detect the environment temperature or can communicate with the external temperature sensor by I2C single master interface or can communicate with the external MCU to get the temperature value through SPI. In the SSD1681, there is a dedicated format for the temperature value so that the driver IC can understand it. The format of temperature value is described in Section 6.8.3.

6.8.1 Internal Temperature Sensor

The internal temperature sensor can be selected by command register. The accuracy of it is $\pm 2\text{degC}$ from -25degC to 50degC.

6.8.2 External Temperature Sensor I2C Single Master Interface

The driver IC can communicate with the external temperature sensor through I2C single master interface (TSDA and TSCL). TSDA will be SDA and TSCL will be SCL. TSDA and TSCL are required to connect with external pull-up resistor. Temperature register value of external temperature sensor can be read by command register.

6.8.3 Format of temperature value

The temperature value is defined by 12-bit binary. The rules are shown as below.

- If the Temperature value MSByte bit D11 = 0, then the temperature is positive and value (DegC) = + (Temperature value) / 16
- If the Temperature value MSByte bit D11 = 1, then the temperature is negative and value (DegC) = - (2's complement of Temperature value) / 16

Table 6-7 shows some examples of 12-bit binary temperature value:

Table 6-7 : Example of 12-bit binary temperature settings for temperature ranges

12-bit binary (2's complement)	Hexadecimal Value	TR Value [DegC]
0111 1111 1111	7FF	128
0111 1111 1111	7FF	127.9
0110 0100 0000	640	100
0101 0000 0000	500	80
0100 1011 0000	4B0	75
0011 0010 0000	320	50
0001 1001 0000	190	25
0000 0000 0100	004	0.25
0000 0000 0000	000	0
1111 1111 1100	FFC	-0.25
1110 0111 0000	E70	-25
1100 1001 0000	C90	-55

6.9 Waveform Setting searching mechanism

As mentioned in Section 6.7, the SSD1681 OTP can store waveform setting and temperature range. If waveform setting and temperature range are programmed in OTP memory, corresponding waveform LUT can be selected according to the sensed temperature to drive the display. The Waveform Setting searching mechanism by driver IC is as follows.

- A. Read temperature value by command register in the format of 12-bit binary.
- B. According to read temperature and display mode selection, search LUT in OTP from TR0 to TR35 in sequence. The last match will be selected, then, the corresponding WS will be loaded in the LUT register to drive the display.

Remark: Waveform LUT selection criteria is “Lower temperature bound < Sensed temperature ≤ Upper temperature bound”.

Table 6-8 shows an example for the waveform LUT searching from OTP:

- If the read temperature is 25degC, then, WS4 will be selected.
- If the read temperature is 34degC, then, WS7 will be selected. Although 34degC is also in the temperature range TR6, according to searching mechanism, the last match should be selected. Therefore, WS7 is selected.

Table 6-8 : Example of waveform settings selection based on temperature ranges.

Waveform LUT in OTP	Temperature Range in OTP	TR Lower Limit [Hex]	TR Upper Limit [Hex]	Temperature range in OTP
WS0	TR0	800	050	-128 DegC < Temperature ≤ 5 DegC
WS1	TR1	050	0A0	5 DegC < Temperature ≤ 10DegC
WS2	TR2	0A0	0F0	10 DegC < Temperature ≤ 15DegC
WS3	TR3	0F0	140	15 DegC < Temperature ≤ 20DegC
WS4	TR4	140	190	20 DegC < Temperature ≤ 25DegC
WS5	TR5	190	1E0	25 DegC < Temperature ≤ 30DegC
WS6	TR6	1E0	230	30 DegC < Temperature ≤ 35DegC
WS7	TR7	210	7FF	33 DegC < Temperature ≤ 127.9DegC
Others	Others	000	000	

Precaution:

Please ensure the temperature range covers whole range of application temperatures, display will not be updated if no suitable temperature range matches the sensed temperature.

6.10 One Time Programmable (OTP) Memory

In the SSD1681, there is an embedded OTP memory which is designed to store the waveform settings of different temperature range and some variables/parameters. The OTP memory can store 36 sets of waveform LUT settings (WS), 36 sets of temperature range (TR), VCOM value, display mode selection, waveform version and user ID. Figure 6 7 shows the address mapping of the 36 waveform setting (WS0 to WS35) and temperature range (TR0 to TR35).

addr.	D7	D6	D5	D4	D3	D2	D1	D0
0	WS0							
...								
158								
159	WS1							
...								
317								
318	WS2							
...								
476								
477	WS3							
...								
635								
636	WS4							
...								
794								
	...							
5406	WS34							
...								
5564								
5565	WS35							
...								
5723								
5724	TR0							
5725								
5726								
5727	TR1							
5728								
5729								
5730	TR2							
5731								
5732								
5733	TR3							
5734								
5735								
5736	TR4							
5737								
5738								
	...							
5826	TR34							
5827								
5828								
5829	TR35							
5830								
5831								

Figure 6-7 : The Waveform setting mapping in OTP for waveform setting and temperature range

6.11 The Format for Temperature Range (TR)

The format of TR Lower limit and Upper limit as shown in Figure 6-8 which temp_L[11:0] is the lower limit and temp_H[11:0] is the upper limit of the temperature range. There has 36sets of TR for waveform LUT searching.

D7	D6	D5	D4	D3	D2	D1	D0
temp_L[7:0]							
temp_H[3:0]				temp_L[11:8]			
temp_H[11:4]							

Figure 6-8 : Format of Temperature Range (TR) in OTP

6.12 VCI Detection

The VCI detection function is used to detect the VCI level when it is lower than Vlow, threshold voltage set by register.

In SSD1681, there is a command to execute the VCI detection function. When the VCI detection command is issued, the VCI detection will be executed. During the detection period, BUSY output is at high level. BUSY output is at low level when the detection is completed. Then, user can issue the Status Bit Read command to check the status bit for the result of VCI, which 0 is normal, 1 is $VCI < V_{low}$.

6.13 HV Ready Detection

The HV Ready detection function is used to detect whether the analog block is ready.

In SSD1681, there is a command to execute the HV Ready detection function. When the HV Ready detection command is issued, the HV Ready will be executed. During the detection period, BUSY output is at high level. BUSY output is at low level when the detection is completed. Then, user can issue the Status Bit Read command to check the status bit for the result of HV Ready, which 0 is normal, 1 indicate HV is not ready.

7 COMMAND TABLE

Table 7-1: Command Table

Command Table											Command	Description																																																								
R/W#	D/C#	Hex	D7	D6	D5	D4	D3	D2	D1	D0																																																										
0	0	01	0	0	0	0	0	0	0	1	Driver Output control	<p>Gate setting A[8:0]= C7h [POR], 200 MUX MUX Gate lines setting as (A[8:0] + 1).</p> <p>B[2:0] = 000 [POR]. Gate scanning sequence and direction</p> <p>B[2]: GD Selects the 1st output Gate GD=0 [POR], G0 is the 1st gate output channel, gate output sequence is G0,G1, G2, G3, ... GD=1, G1 is the 1st gate output channel, gate output sequence is G1, G0, G3, G2, ...</p> <p>B[1]: SM Change scanning order of gate driver. SM=0 [POR], G0, G1, G2, G3...199 (left and right gate interlaced) SM=1, G0, G2, G4 ...G198, G1, G3, ...G199</p> <p>B[0]: TB TB = 0 [POR], scan from G0 to G199 TB = 1, scan from G199 to G0.</p>																																																								
0	1		A ₇	A ₆	A ₅	A ₄	A ₃	A ₂	A ₁	A ₀																																																										
0	1		0	0	0	0	0	0	0	A ₈																																																										
0	1		0	0	0	0	0	B ₂	B ₁	B ₀																																																										
0	0	03	0	0	0	0	0	0	1	1	Gate Driving voltage Control	<p>Set Gate driving voltage A[4:0] = 00h [POR] VGH setting from 10V to 20V</p> <table border="1"> <thead> <tr> <th>A[4:0]</th> <th>VGH</th> <th>A[4:0]</th> <th>VGH</th> </tr> </thead> <tbody> <tr><td>00h</td><td>20</td><td>0Dh</td><td>15</td></tr> <tr><td>03h</td><td>10</td><td>0Eh</td><td>15.5</td></tr> <tr><td>04h</td><td>10.5</td><td>0Fh</td><td>16</td></tr> <tr><td>05h</td><td>11</td><td>10h</td><td>16.5</td></tr> <tr><td>06h</td><td>11.5</td><td>11h</td><td>17</td></tr> <tr><td>07h</td><td>12</td><td>12h</td><td>17.5</td></tr> <tr><td>08h</td><td>12.5</td><td>13h</td><td>18</td></tr> <tr><td>07h</td><td>12</td><td>14h</td><td>18.5</td></tr> <tr><td>08h</td><td>12.5</td><td>15h</td><td>19</td></tr> <tr><td>09h</td><td>13</td><td>16h</td><td>19.5</td></tr> <tr><td>0Ah</td><td>13.5</td><td>17h</td><td>20</td></tr> <tr><td>0Bh</td><td>14</td><td>Other</td><td>NA</td></tr> <tr><td>0Ch</td><td>14.5</td><td></td><td></td></tr> </tbody> </table>	A[4:0]	VGH	A[4:0]	VGH	00h	20	0Dh	15	03h	10	0Eh	15.5	04h	10.5	0Fh	16	05h	11	10h	16.5	06h	11.5	11h	17	07h	12	12h	17.5	08h	12.5	13h	18	07h	12	14h	18.5	08h	12.5	15h	19	09h	13	16h	19.5	0Ah	13.5	17h	20	0Bh	14	Other	NA	0Ch	14.5		
A[4:0]	VGH	A[4:0]	VGH																																																																	
00h	20	0Dh	15																																																																	
03h	10	0Eh	15.5																																																																	
04h	10.5	0Fh	16																																																																	
05h	11	10h	16.5																																																																	
06h	11.5	11h	17																																																																	
07h	12	12h	17.5																																																																	
08h	12.5	13h	18																																																																	
07h	12	14h	18.5																																																																	
08h	12.5	15h	19																																																																	
09h	13	16h	19.5																																																																	
0Ah	13.5	17h	20																																																																	
0Bh	14	Other	NA																																																																	
0Ch	14.5																																																																			
0	1		0	0	0	A ₄	A ₃	A ₂		A ₀																																																										

Command Table											Command	Description																																																																																																																																																																																																																																																																																																						
R/W#	D/C#	Hex	D7	D6	D5	D4	D3	D2	D1	D0																																																																																																																																																																																																																																																																																																								
0	0	04	0	0	0	0	0	1	0	0	Source Driving voltage Control	Set Source driving voltage A[7:0] = 41h [POR], VSH1 at 15V B[7:0] = A8h [POR], VSH2 at 5V. C[7:0] = 32h [POR], VSL at -15V Remark: VSH1>=VSH2																																																																																																																																																																																																																																																																																																						
0	1		A ₇	A ₆	A ₅	A ₄	A ₃	A ₂	A ₁	A ₀																																																																																																																																																																																																																																																																																																								
0	1		B ₇	B ₆	B ₅	B ₄	B ₃	B ₂	B ₁	B ₀																																																																																																																																																																																																																																																																																																								
0	1		C ₇	C ₆	C ₅	C ₄	C ₃	C ₂	C ₁	C ₀																																																																																																																																																																																																																																																																																																								
A[7]/B[7] = 1, VSH1/VSH2 voltage setting from 2.4V to 8.8V				A[7]/B[7] = 0, VSH1/VSH2 voltage setting from 9V to 17V				C[7] = 0, VSL setting from -5V to -17V																																																																																																																																																																																																																																																																																																										
<table border="1"> <thead> <tr> <th>A/B[7:0]</th> <th>VSH1/VSH2</th> <th>A/B[7:0]</th> <th>VSH1/VSH2</th> </tr> </thead> <tbody> <tr><td>8Eh</td><td>2.4</td><td>AFh</td><td>5.7</td></tr> <tr><td>8Fh</td><td>2.5</td><td>B0h</td><td>5.8</td></tr> <tr><td>90h</td><td>2.6</td><td>B1h</td><td>5.9</td></tr> <tr><td>91h</td><td>2.7</td><td>B2h</td><td>6</td></tr> <tr><td>92h</td><td>2.8</td><td>B3h</td><td>6.1</td></tr> <tr><td>93h</td><td>2.9</td><td>B4h</td><td>6.2</td></tr> <tr><td>94h</td><td>3</td><td>B5h</td><td>6.3</td></tr> <tr><td>95h</td><td>3.1</td><td>B6h</td><td>6.4</td></tr> <tr><td>96h</td><td>3.2</td><td>B7h</td><td>6.5</td></tr> <tr><td>97h</td><td>3.3</td><td>B8h</td><td>6.6</td></tr> <tr><td>98h</td><td>3.4</td><td>B9h</td><td>6.7</td></tr> <tr><td>99h</td><td>3.5</td><td>BAh</td><td>6.8</td></tr> <tr><td>9Ah</td><td>3.6</td><td>BBh</td><td>6.9</td></tr> <tr><td>9Bh</td><td>3.7</td><td>BCh</td><td>7</td></tr> <tr><td>9Ch</td><td>3.8</td><td>BDh</td><td>7.1</td></tr> <tr><td>9Dh</td><td>3.9</td><td>BEh</td><td>7.2</td></tr> <tr><td>9Eh</td><td>4</td><td>BFh</td><td>7.3</td></tr> <tr><td>9Fh</td><td>4.1</td><td>C0h</td><td>7.4</td></tr> <tr><td>A0h</td><td>4.2</td><td>C1h</td><td>7.5</td></tr> <tr><td>A1h</td><td>4.3</td><td>C2h</td><td>7.6</td></tr> <tr><td>A2h</td><td>4.4</td><td>C3h</td><td>7.7</td></tr> <tr><td>A3h</td><td>4.5</td><td>C4h</td><td>7.8</td></tr> <tr><td>A4h</td><td>4.6</td><td>C5h</td><td>7.9</td></tr> <tr><td>A5h</td><td>4.7</td><td>C6h</td><td>8</td></tr> <tr><td>A6h</td><td>4.8</td><td>C7h</td><td>8.1</td></tr> <tr><td>A7h</td><td>4.9</td><td>C8h</td><td>8.2</td></tr> <tr><td>A8h</td><td>5</td><td>C9h</td><td>8.3</td></tr> <tr><td>A9h</td><td>5.1</td><td>CAh</td><td>8.4</td></tr> <tr><td>AAh</td><td>5.2</td><td>CBh</td><td>8.5</td></tr> <tr><td>ABh</td><td>5.3</td><td>CCh</td><td>8.6</td></tr> <tr><td>ACH</td><td>5.4</td><td>CDh</td><td>8.7</td></tr> <tr><td>ADh</td><td>5.5</td><td>CEh</td><td>8.8</td></tr> <tr><td>A Eh</td><td>5.6</td><td>Other</td><td>NA</td></tr> </tbody> </table>				A/B[7:0]	VSH1/VSH2	A/B[7:0]	VSH1/VSH2	8Eh	2.4	AFh	5.7	8Fh	2.5	B0h	5.8	90h	2.6	B1h	5.9	91h	2.7	B2h	6	92h	2.8	B3h	6.1	93h	2.9	B4h	6.2	94h	3	B5h	6.3	95h	3.1	B6h	6.4	96h	3.2	B7h	6.5	97h	3.3	B8h	6.6	98h	3.4	B9h	6.7	99h	3.5	BAh	6.8	9Ah	3.6	BBh	6.9	9Bh	3.7	BCh	7	9Ch	3.8	BDh	7.1	9Dh	3.9	BEh	7.2	9Eh	4	BFh	7.3	9Fh	4.1	C0h	7.4	A0h	4.2	C1h	7.5	A1h	4.3	C2h	7.6	A2h	4.4	C3h	7.7	A3h	4.5	C4h	7.8	A4h	4.6	C5h	7.9	A5h	4.7	C6h	8	A6h	4.8	C7h	8.1	A7h	4.9	C8h	8.2	A8h	5	C9h	8.3	A9h	5.1	CAh	8.4	AAh	5.2	CBh	8.5	ABh	5.3	CCh	8.6	ACH	5.4	CDh	8.7	ADh	5.5	CEh	8.8	A Eh	5.6	Other	NA	<table border="1"> <thead> <tr> <th>A/B[7:0]</th> <th>VSH1/VSH2</th> <th>A/B[7:0]</th> <th>VSH1/VSH2</th> </tr> </thead> <tbody> <tr><td>23h</td><td>9</td><td>3Ch</td><td>14</td></tr> <tr><td>24h</td><td>9.2</td><td>3Dh</td><td>14.2</td></tr> <tr><td>25h</td><td>9.4</td><td>3Eh</td><td>14.4</td></tr> <tr><td>26h</td><td>9.6</td><td>3Fh</td><td>14.6</td></tr> <tr><td>27h</td><td>9.8</td><td>40h</td><td>14.8</td></tr> <tr><td>28h</td><td>10</td><td>41h</td><td>15</td></tr> <tr><td>29h</td><td>10.2</td><td>42h</td><td>15.2</td></tr> <tr><td>2Ah</td><td>10.4</td><td>43h</td><td>15.4</td></tr> <tr><td>2Bh</td><td>10.6</td><td>44h</td><td>15.6</td></tr> <tr><td>2Ch</td><td>10.8</td><td>45h</td><td>15.8</td></tr> <tr><td>2Dh</td><td>11</td><td>46h</td><td>16</td></tr> <tr><td>2Eh</td><td>11.2</td><td>47h</td><td>16.2</td></tr> <tr><td>2Fh</td><td>11.4</td><td>48h</td><td>16.4</td></tr> <tr><td>30h</td><td>11.6</td><td>49h</td><td>16.6</td></tr> <tr><td>31h</td><td>11.8</td><td>4Ah</td><td>16.8</td></tr> <tr><td>32h</td><td>12</td><td>4Bh</td><td>17</td></tr> <tr><td>33h</td><td>12.2</td><td>Other</td><td>NA</td></tr> <tr><td>34h</td><td>12.4</td><td></td><td></td></tr> <tr><td>35h</td><td>12.6</td><td></td><td></td></tr> <tr><td>36h</td><td>12.8</td><td></td><td></td></tr> <tr><td>37h</td><td>13</td><td></td><td></td></tr> <tr><td>38h</td><td>13.2</td><td></td><td></td></tr> <tr><td>39h</td><td>13.4</td><td></td><td></td></tr> <tr><td>3Ah</td><td>13.6</td><td></td><td></td></tr> <tr><td>3Bh</td><td>13.8</td><td></td><td></td></tr> </tbody> </table>				A/B[7:0]	VSH1/VSH2	A/B[7:0]	VSH1/VSH2	23h	9	3Ch	14	24h	9.2	3Dh	14.2	25h	9.4	3Eh	14.4	26h	9.6	3Fh	14.6	27h	9.8	40h	14.8	28h	10	41h	15	29h	10.2	42h	15.2	2Ah	10.4	43h	15.4	2Bh	10.6	44h	15.6	2Ch	10.8	45h	15.8	2Dh	11	46h	16	2Eh	11.2	47h	16.2	2Fh	11.4	48h	16.4	30h	11.6	49h	16.6	31h	11.8	4Ah	16.8	32h	12	4Bh	17	33h	12.2	Other	NA	34h	12.4			35h	12.6			36h	12.8			37h	13			38h	13.2			39h	13.4			3Ah	13.6			3Bh	13.8			<table border="1"> <thead> <tr> <th>C[7:0]</th> <th>VSL</th> </tr> </thead> <tbody> <tr><td>0Ah</td><td>-5</td></tr> <tr><td>0Ch</td><td>-5.5</td></tr> <tr><td>0Eh</td><td>-6</td></tr> <tr><td>10h</td><td>-6.5</td></tr> <tr><td>12h</td><td>-7</td></tr> <tr><td>14h</td><td>-7.5</td></tr> <tr><td>16h</td><td>-8</td></tr> <tr><td>18h</td><td>-8.5</td></tr> <tr><td>1Ah</td><td>-9</td></tr> <tr><td>1Ch</td><td>-9.5</td></tr> <tr><td>1Eh</td><td>-10</td></tr> <tr><td>20h</td><td>-10.5</td></tr> <tr><td>22h</td><td>-11</td></tr> <tr><td>24h</td><td>-11.5</td></tr> <tr><td>26h</td><td>-12</td></tr> <tr><td>28h</td><td>-12.5</td></tr> <tr><td>2Ah</td><td>-13</td></tr> <tr><td>2Ch</td><td>-13.5</td></tr> <tr><td>2Eh</td><td>-14</td></tr> <tr><td>30h</td><td>-14.5</td></tr> <tr><td>32h</td><td>-15</td></tr> <tr><td>34h</td><td>-15.5</td></tr> <tr><td>36h</td><td>-16</td></tr> <tr><td>38h</td><td>-16.5</td></tr> <tr><td>3Ah</td><td>-17</td></tr> <tr><td>Other</td><td>NA</td></tr> </tbody> </table>					C[7:0]	VSL	0Ah	-5	0Ch	-5.5	0Eh	-6	10h	-6.5	12h	-7	14h	-7.5	16h	-8	18h	-8.5	1Ah	-9	1Ch	-9.5	1Eh	-10	20h	-10.5	22h	-11	24h	-11.5	26h	-12	28h	-12.5	2Ah	-13	2Ch	-13.5	2Eh	-14	30h	-14.5	32h	-15	34h	-15.5	36h	-16	38h	-16.5	3Ah	-17	Other	NA
A/B[7:0]	VSH1/VSH2	A/B[7:0]	VSH1/VSH2																																																																																																																																																																																																																																																																																																															
8Eh	2.4	AFh	5.7																																																																																																																																																																																																																																																																																																															
8Fh	2.5	B0h	5.8																																																																																																																																																																																																																																																																																																															
90h	2.6	B1h	5.9																																																																																																																																																																																																																																																																																																															
91h	2.7	B2h	6																																																																																																																																																																																																																																																																																																															
92h	2.8	B3h	6.1																																																																																																																																																																																																																																																																																																															
93h	2.9	B4h	6.2																																																																																																																																																																																																																																																																																																															
94h	3	B5h	6.3																																																																																																																																																																																																																																																																																																															
95h	3.1	B6h	6.4																																																																																																																																																																																																																																																																																																															
96h	3.2	B7h	6.5																																																																																																																																																																																																																																																																																																															
97h	3.3	B8h	6.6																																																																																																																																																																																																																																																																																																															
98h	3.4	B9h	6.7																																																																																																																																																																																																																																																																																																															
99h	3.5	BAh	6.8																																																																																																																																																																																																																																																																																																															
9Ah	3.6	BBh	6.9																																																																																																																																																																																																																																																																																																															
9Bh	3.7	BCh	7																																																																																																																																																																																																																																																																																																															
9Ch	3.8	BDh	7.1																																																																																																																																																																																																																																																																																																															
9Dh	3.9	BEh	7.2																																																																																																																																																																																																																																																																																																															
9Eh	4	BFh	7.3																																																																																																																																																																																																																																																																																																															
9Fh	4.1	C0h	7.4																																																																																																																																																																																																																																																																																																															
A0h	4.2	C1h	7.5																																																																																																																																																																																																																																																																																																															
A1h	4.3	C2h	7.6																																																																																																																																																																																																																																																																																																															
A2h	4.4	C3h	7.7																																																																																																																																																																																																																																																																																																															
A3h	4.5	C4h	7.8																																																																																																																																																																																																																																																																																																															
A4h	4.6	C5h	7.9																																																																																																																																																																																																																																																																																																															
A5h	4.7	C6h	8																																																																																																																																																																																																																																																																																																															
A6h	4.8	C7h	8.1																																																																																																																																																																																																																																																																																																															
A7h	4.9	C8h	8.2																																																																																																																																																																																																																																																																																																															
A8h	5	C9h	8.3																																																																																																																																																																																																																																																																																																															
A9h	5.1	CAh	8.4																																																																																																																																																																																																																																																																																																															
AAh	5.2	CBh	8.5																																																																																																																																																																																																																																																																																																															
ABh	5.3	CCh	8.6																																																																																																																																																																																																																																																																																																															
ACH	5.4	CDh	8.7																																																																																																																																																																																																																																																																																																															
ADh	5.5	CEh	8.8																																																																																																																																																																																																																																																																																																															
A Eh	5.6	Other	NA																																																																																																																																																																																																																																																																																																															
A/B[7:0]	VSH1/VSH2	A/B[7:0]	VSH1/VSH2																																																																																																																																																																																																																																																																																																															
23h	9	3Ch	14																																																																																																																																																																																																																																																																																																															
24h	9.2	3Dh	14.2																																																																																																																																																																																																																																																																																																															
25h	9.4	3Eh	14.4																																																																																																																																																																																																																																																																																																															
26h	9.6	3Fh	14.6																																																																																																																																																																																																																																																																																																															
27h	9.8	40h	14.8																																																																																																																																																																																																																																																																																																															
28h	10	41h	15																																																																																																																																																																																																																																																																																																															
29h	10.2	42h	15.2																																																																																																																																																																																																																																																																																																															
2Ah	10.4	43h	15.4																																																																																																																																																																																																																																																																																																															
2Bh	10.6	44h	15.6																																																																																																																																																																																																																																																																																																															
2Ch	10.8	45h	15.8																																																																																																																																																																																																																																																																																																															
2Dh	11	46h	16																																																																																																																																																																																																																																																																																																															
2Eh	11.2	47h	16.2																																																																																																																																																																																																																																																																																																															
2Fh	11.4	48h	16.4																																																																																																																																																																																																																																																																																																															
30h	11.6	49h	16.6																																																																																																																																																																																																																																																																																																															
31h	11.8	4Ah	16.8																																																																																																																																																																																																																																																																																																															
32h	12	4Bh	17																																																																																																																																																																																																																																																																																																															
33h	12.2	Other	NA																																																																																																																																																																																																																																																																																																															
34h	12.4																																																																																																																																																																																																																																																																																																																	
35h	12.6																																																																																																																																																																																																																																																																																																																	
36h	12.8																																																																																																																																																																																																																																																																																																																	
37h	13																																																																																																																																																																																																																																																																																																																	
38h	13.2																																																																																																																																																																																																																																																																																																																	
39h	13.4																																																																																																																																																																																																																																																																																																																	
3Ah	13.6																																																																																																																																																																																																																																																																																																																	
3Bh	13.8																																																																																																																																																																																																																																																																																																																	
C[7:0]	VSL																																																																																																																																																																																																																																																																																																																	
0Ah	-5																																																																																																																																																																																																																																																																																																																	
0Ch	-5.5																																																																																																																																																																																																																																																																																																																	
0Eh	-6																																																																																																																																																																																																																																																																																																																	
10h	-6.5																																																																																																																																																																																																																																																																																																																	
12h	-7																																																																																																																																																																																																																																																																																																																	
14h	-7.5																																																																																																																																																																																																																																																																																																																	
16h	-8																																																																																																																																																																																																																																																																																																																	
18h	-8.5																																																																																																																																																																																																																																																																																																																	
1Ah	-9																																																																																																																																																																																																																																																																																																																	
1Ch	-9.5																																																																																																																																																																																																																																																																																																																	
1Eh	-10																																																																																																																																																																																																																																																																																																																	
20h	-10.5																																																																																																																																																																																																																																																																																																																	
22h	-11																																																																																																																																																																																																																																																																																																																	
24h	-11.5																																																																																																																																																																																																																																																																																																																	
26h	-12																																																																																																																																																																																																																																																																																																																	
28h	-12.5																																																																																																																																																																																																																																																																																																																	
2Ah	-13																																																																																																																																																																																																																																																																																																																	
2Ch	-13.5																																																																																																																																																																																																																																																																																																																	
2Eh	-14																																																																																																																																																																																																																																																																																																																	
30h	-14.5																																																																																																																																																																																																																																																																																																																	
32h	-15																																																																																																																																																																																																																																																																																																																	
34h	-15.5																																																																																																																																																																																																																																																																																																																	
36h	-16																																																																																																																																																																																																																																																																																																																	
38h	-16.5																																																																																																																																																																																																																																																																																																																	
3Ah	-17																																																																																																																																																																																																																																																																																																																	
Other	NA																																																																																																																																																																																																																																																																																																																	
0	0	08	0	0	0	0	1	0	0	0	Initial Code Setting OTP Program	Program Initial Code Setting The command required CLKEN=1. Refer to Register 0x22 for detail. BUSY pad will output high during operation.																																																																																																																																																																																																																																																																																																						
0	0	09	0	0	0	0	1	0	0	1	Write Register for Initial Code Setting	Write Register for Initial Code Setting Selection A[7:0] ~ D[7:0]: Reserved Details refer to Application Notes of Initial Code Setting																																																																																																																																																																																																																																																																																																						
0	1		A ₇	A ₆	A ₅	A ₄	A ₃	A ₂	A ₁	A ₀																																																																																																																																																																																																																																																																																																								
0	1		B ₇	B ₆	B ₅	B ₄	B ₃	B ₂	B ₁	B ₀																																																																																																																																																																																																																																																																																																								
0	1		C ₇	C ₆	C ₅	C ₄	C ₃	C ₂	C ₁	C ₀																																																																																																																																																																																																																																																																																																								
0	1		D ₇	D ₆	D ₅	D ₄	D ₃	D ₂	D ₁	D ₀																																																																																																																																																																																																																																																																																																								
0	0	0A	0	0	0	0	1	0	1	0	Read Register for Initial Code Setting	Read Register for Initial Code Setting																																																																																																																																																																																																																																																																																																						

Command Table											Command	Description																																																												
RW#	D/C#	Hex	D7	D6	D5	D4	D3	D2	D1	D0																																																														
0	0	0C	0	0	0	0	1	1	0	0	Booster Soft start Control	Booster Enable with Phase 1, Phase 2 and Phase 3 for soft start current and duration setting. A[7:0] -> Soft start setting for Phase1 = 8Bh [POR] B[7:0] -> Soft start setting for Phase2 = 9Ch [POR] C[7:0] -> Soft start setting for Phase3 = 96h [POR] D[7:0] -> Duration setting = 0Fh [POR] Bit Description of each byte: A[6:0] / B[6:0] / C[6:0]: <table border="1" data-bbox="1038 535 1497 875"> <thead> <tr> <th>Bit[6:4]</th> <th>Driving Strength Selection</th> </tr> </thead> <tbody> <tr><td>000</td><td>1(Weakest)</td></tr> <tr><td>001</td><td>2</td></tr> <tr><td>010</td><td>3</td></tr> <tr><td>011</td><td>4</td></tr> <tr><td>100</td><td>5</td></tr> <tr><td>101</td><td>6</td></tr> <tr><td>110</td><td>7</td></tr> <tr><td>111</td><td>8(Strongest)</td></tr> </tbody> </table> <table border="1" data-bbox="1038 898 1497 1451"> <thead> <tr> <th>Bit[3:0]</th> <th>Min Off Time Setting of GDR [Time unit]</th> </tr> </thead> <tbody> <tr><td>0000</td><td>NA</td></tr> <tr><td>~</td><td></td></tr> <tr><td>0011</td><td></td></tr> <tr><td>0100</td><td>2.6</td></tr> <tr><td>0101</td><td>3.2</td></tr> <tr><td>0110</td><td>3.9</td></tr> <tr><td>0111</td><td>4.6</td></tr> <tr><td>1000</td><td>5.4</td></tr> <tr><td>1001</td><td>6.3</td></tr> <tr><td>1010</td><td>7.3</td></tr> <tr><td>1011</td><td>8.4</td></tr> <tr><td>1100</td><td>9.8</td></tr> <tr><td>1101</td><td>11.5</td></tr> <tr><td>1110</td><td>13.8</td></tr> <tr><td>1111</td><td>16.5</td></tr> </tbody> </table> D[5:0]: duration setting of phase D[5:4]: duration setting of phase 3 D[3:2]: duration setting of phase 2 D[1:0]: duration setting of phase 1 <table border="1" data-bbox="1038 1574 1497 1769"> <thead> <tr> <th>Bit[1:0]</th> <th>Duration of Phase [Approximation]</th> </tr> </thead> <tbody> <tr><td>00</td><td>10ms</td></tr> <tr><td>01</td><td>20ms</td></tr> <tr><td>10</td><td>30ms</td></tr> <tr><td>11</td><td>40ms</td></tr> </tbody> </table>	Bit[6:4]	Driving Strength Selection	000	1(Weakest)	001	2	010	3	011	4	100	5	101	6	110	7	111	8(Strongest)	Bit[3:0]	Min Off Time Setting of GDR [Time unit]	0000	NA	~		0011		0100	2.6	0101	3.2	0110	3.9	0111	4.6	1000	5.4	1001	6.3	1010	7.3	1011	8.4	1100	9.8	1101	11.5	1110	13.8	1111	16.5	Bit[1:0]	Duration of Phase [Approximation]	00	10ms	01	20ms	10	30ms	11	40ms
Bit[6:4]	Driving Strength Selection																																																																							
000	1(Weakest)																																																																							
001	2																																																																							
010	3																																																																							
011	4																																																																							
100	5																																																																							
101	6																																																																							
110	7																																																																							
111	8(Strongest)																																																																							
Bit[3:0]	Min Off Time Setting of GDR [Time unit]																																																																							
0000	NA																																																																							
~																																																																								
0011																																																																								
0100	2.6																																																																							
0101	3.2																																																																							
0110	3.9																																																																							
0111	4.6																																																																							
1000	5.4																																																																							
1001	6.3																																																																							
1010	7.3																																																																							
1011	8.4																																																																							
1100	9.8																																																																							
1101	11.5																																																																							
1110	13.8																																																																							
1111	16.5																																																																							
Bit[1:0]	Duration of Phase [Approximation]																																																																							
00	10ms																																																																							
01	20ms																																																																							
10	30ms																																																																							
11	40ms																																																																							
0	1		1	A ₆	A ₅	A ₄	A ₃	A ₂	A ₁	A ₀																																																														
0	1		1	B ₆	B ₅	B ₄	B ₃	B ₂	B ₁	B ₀																																																														
0	1		1	C ₆	C ₅	C ₄	C ₃	C ₂	C ₁	C ₀																																																														
0	1		0	0	D ₅	D ₄	D ₃	D ₂	D ₁	D ₀																																																														

Command Table																				
R/W#	D/C#	Hex	D7	D6	D5	D4	D3	D2	D1	D0	Command	Description								
0	0	10	0	0	0	1	0	0	0	0	Deep Sleep mode	Deep Sleep mode Control: <table border="1"> <thead> <tr> <th>A[1:0] :</th> <th>Description</th> </tr> </thead> <tbody> <tr> <td>00</td> <td>Normal Mode [POR]</td> </tr> <tr> <td>01</td> <td>Enter Deep Sleep Mode 1</td> </tr> <tr> <td>11</td> <td>Enter Deep Sleep Mode 2</td> </tr> </tbody> </table> After this command initiated, the chip will enter Deep Sleep Mode, BUSY pad will keep output high. Remark: To Exit Deep Sleep mode, User required to send HWRESET to the driver	A[1:0] :	Description	00	Normal Mode [POR]	01	Enter Deep Sleep Mode 1	11	Enter Deep Sleep Mode 2
A[1:0] :	Description																			
00	Normal Mode [POR]																			
01	Enter Deep Sleep Mode 1																			
11	Enter Deep Sleep Mode 2																			
0	1		0	0	0	0	0	0	A ₁	A ₀										
0	0	11	0	0	0	1	0	0	0	1	Data Entry mode setting	Define data entry sequence A[2:0] = 011 [POR] A [1:0] = ID[1:0] Address automatic increment / decrement setting The setting of incrementing or decrementing of the address counter can be made independently in each upper and lower bit of the address. 00 –Y decrement, X decrement, 01 –Y decrement, X increment, 10 –Y increment, X decrement, 11 –Y increment, X increment [POR] A[2] = AM Set the direction in which the address counter is updated automatically after data are written to the RAM. AM= 0, the address counter is updated in the X direction. [POR] AM = 1, the address counter is updated in the Y direction.								
0	1		0	0	0	0	0	A ₂	A ₁	A ₀										
0	0	12	0	0	0	1	0	0	1	0	SW RESET	It resets the commands and parameters to their S/W Reset default values except R10h-Deep Sleep Mode During operation, BUSY pad will output high. Note: RAM are unaffected by this command.								

Command Table											Command	Description														
R/W#	D/C#	Hex	D7	D6	D5	D4	D3	D2	D1	D0																
0	0	14	0	0	0	1	0	1	0	0	HV Ready Detection	HV ready detection A[7:0] = 00h [POR] The command required CLKEN=1 and ANALOGEN=1. Refer to Register 0x22 for detail. After this command initiated, HV Ready detection starts. BUSY pad will output high during detection. The detection result can be read from the Status Bit Read (Command 0x2F).														
0	1		0	A ₆	A ₅	A ₄	0	A ₂	A ₁	A ₀			A[6:4]=n for cool down duration: 10ms x (n+1) A[2:0]=m for number of Cool Down Loop to detect. The max HV ready duration is 10ms x (n+1) x (m) HV ready detection will be trigger after each cool down time. The detection will be completed when HV is ready. For 1 shot HV ready detection, A[7:0] can be set as 00h.													
0	0	15	0	0	0	1	0	1	0	1	VCI Detection	VCI Detection A[2:0] = 100 [POR] , Detect level at 2.3V A[2:0] : VCI level Detect <table border="1" style="margin-left: 20px;"> <thead> <tr> <th>A[2:0]</th> <th>VCI level</th> </tr> </thead> <tbody> <tr> <td>011</td> <td>2.2V</td> </tr> <tr> <td>100</td> <td>2.3V</td> </tr> <tr> <td>101</td> <td>2.4V</td> </tr> <tr> <td>110</td> <td>2.5V</td> </tr> <tr> <td>111</td> <td>2.6V</td> </tr> <tr> <td>Other</td> <td>NA</td> </tr> </tbody> </table>	A[2:0]	VCI level	011	2.2V	100	2.3V	101	2.4V	110	2.5V	111	2.6V	Other	NA
A[2:0]	VCI level																									
011	2.2V																									
100	2.3V																									
101	2.4V																									
110	2.5V																									
111	2.6V																									
Other	NA																									
0	1		0	0	0	0	0	A ₂	A ₁	A ₀	The command required CLKEN=1 and ANALOGEN=1 Refer to Register 0x22 for detail. After this command initiated, VCI detection starts. BUSY pad will output high during detection. The detection result can be read from the Status Bit Read (Command 0x2F).															
0	0	18	0	0	0	1	1	0	0	0	Temperature Sensor Control	Temperature Sensor Selection A[7:0] = 48h [POR], external temperature sensor A[7:0] = 80h Internal temperature sensor														
0	1		A ₇	A ₆	A ₅	A ₄	A ₃	A ₂	A ₁	A ₀																
0	0	1A	0	0	0	1	1	0	1	0	Temperature Sensor Control (Write to temperature register)	Write to temperature register. A[11:0] = 7FFh [POR]														
0	1		A ₁₁	A ₁₀	A ₉	A ₈	A ₇	A ₆	A ₅	A ₄																
0	1		A ₃	A ₂	A ₁	A ₀	0	0	0	0																
0	0	1B	0	0	0	1	1	0	1	1	Temperature Sensor Control (Read from temperature register)	Read from temperature register.														
1	1		A ₁₁	A ₁₀	A ₉	A ₈	A ₇	A ₆	A ₅	A ₄																
1	1		A ₃	A ₂	A ₁	A ₀	0	0	0	0																

Command Table																												
RW#	D/C#	Hex	D7	D6	D5	D4	D3	D2	D1	D0	Command	Description																
0	0	1C	0	0	0	1	1	1	0	0	Temperature Sensor Control (Write Command to External temperature sensor)	<p>Write Command to External temperature sensor.</p> <p>A[7:0] = 00h [POR], B[7:0] = 00h [POR], C[7:0] = 00h [POR],</p> <table border="1"> <tr> <td colspan="2">A[7:6]</td> <td>Select no of byte to be sent</td> </tr> <tr> <td>00</td> <td colspan="2">Address + pointer</td> </tr> <tr> <td>01</td> <td colspan="2">Address + pointer + 1st parameter</td> </tr> <tr> <td>10</td> <td colspan="2">Address + pointer + 1st parameter + 2nd pointer</td> </tr> <tr> <td>11</td> <td colspan="2">Address</td> </tr> </table> <p>A[5:0] – Pointer Setting B[7:0] – 1st parameter C[7:0] – 2nd parameter</p> <p>The command required CLKEN=1. Refer to Register 0x22 for detail.</p> <p>After this command initiated, Write Command to external temperature sensor starts. BUSY pad will output high during operation.</p>	A[7:6]		Select no of byte to be sent	00	Address + pointer		01	Address + pointer + 1st parameter		10	Address + pointer + 1st parameter + 2nd pointer		11	Address		
A[7:6]		Select no of byte to be sent																										
00	Address + pointer																											
01	Address + pointer + 1st parameter																											
10	Address + pointer + 1st parameter + 2nd pointer																											
11	Address																											
0	1		A ₇	A ₆	A ₅	A ₄	A ₃	A ₂	A ₁	A ₀																		
0	1		B ₇	B ₆	B ₅	B ₄	B ₃	B ₂	B ₁	B ₀																		
0	1		C ₇	C ₆	C ₅	C ₄	C ₃	C ₂	C ₁	C ₀																		
0	0	20	0	0	1	0	0	0	0	0	Master Activation	<p>Activate Display Update Sequence</p> <p>The Display Update Sequence Option is located at R22h.</p> <p>BUSY pad will output high during operation. User should not interrupt this operation to avoid corruption of panel images.</p>																
0	0	21	0	0	1	0	0	0	0	1	Display Update Control	<p>RAM content option for Display Update</p> <p>A[7:0] = 00h [POR] B[7:0] = 00h [POR]</p> <table border="1"> <tr> <td colspan="2">A[7:4] Red RAM option</td> </tr> <tr> <td>0000</td> <td>Normal</td> </tr> <tr> <td>0100</td> <td>Bypass RAM content as 0</td> </tr> <tr> <td>1000</td> <td>Inverse RAM content</td> </tr> </table> <table border="1"> <tr> <td colspan="2">A[3:0] BW RAM option</td> </tr> <tr> <td>0000</td> <td>Normal</td> </tr> <tr> <td>0100</td> <td>Bypass RAM content as 0</td> </tr> <tr> <td>1000</td> <td>Inverse RAM content</td> </tr> </table>	A[7:4] Red RAM option		0000	Normal	0100	Bypass RAM content as 0	1000	Inverse RAM content	A[3:0] BW RAM option		0000	Normal	0100	Bypass RAM content as 0	1000	Inverse RAM content
A[7:4] Red RAM option																												
0000	Normal																											
0100	Bypass RAM content as 0																											
1000	Inverse RAM content																											
A[3:0] BW RAM option																												
0000	Normal																											
0100	Bypass RAM content as 0																											
1000	Inverse RAM content																											
0	1		A ₇	A ₆	A ₅	A ₄	A ₃	A ₂	A ₁	A ₀																		

Command Table																																															
R/W#	D/C#	Hex	D7	D6	D5	D4	D3	D2	D1	D0	Command	Description																																			
0	0	22	0	0	1	0	0	0	1	0	Display Update Control 2	Display Update Sequence Option: Enable the stage for Master Activation A[7:0]= FFh (POR)																																			
0	1		A7	A6	A5	A4	A3	A2	A1	A0			<table border="1"> <thead> <tr> <th>Operating sequence</th> <th>Parameter (in Hex)</th> </tr> </thead> <tbody> <tr> <td>Enable clock signal</td> <td>80</td> </tr> <tr> <td>Disable clock signal</td> <td>01</td> </tr> <tr> <td> </td> <td> </td> </tr> <tr> <td>Enable clock signal → Enable Analog</td> <td>C0</td> </tr> <tr> <td>Disable Analog → Disable clock signal</td> <td>03</td> </tr> <tr> <td> </td> <td> </td> </tr> <tr> <td>Enable clock signal → Load LUT with DISPLAY Mode 1 → Disable clock signal</td> <td>91</td> </tr> <tr> <td>Enable clock signal → Load LUT with DISPLAY Mode 2 → Disable clock signal</td> <td>99</td> </tr> <tr> <td> </td> <td> </td> </tr> <tr> <td>Enable clock signal → Load temperature value → Load LUT with DISPLAY Mode 1 → Disable clock signal</td> <td>B1</td> </tr> <tr> <td>Enable clock signal → Load temperature value → Load LUT with DISPLAY Mode 2 → Disable clock signal</td> <td>B9</td> </tr> <tr> <td> </td> <td> </td> </tr> <tr> <td>Enable clock signal → Enable Analog → Display with DISPLAY Mode 1 → Disable Analog → Disable OSC</td> <td>C7</td> </tr> <tr> <td>Enable clock signal → Enable Analog → Display with DISPLAY Mode 2 → Disable Analog → Disable OSC</td> <td>CF</td> </tr> <tr> <td> </td> <td> </td> </tr> <tr> <td>Enable clock signal → Enable Analog → Load temperature value → DISPLAY with DISPLAY Mode 1 → Disable Analog → Disable OSC</td> <td>F7</td> </tr> <tr> <td>Enable clock signal → Enable Analog → Load temperature value → DISPLAY with DISPLAY Mode 2 → Disable Analog → Disable OSC</td> <td>FF</td> </tr> </tbody> </table>	Operating sequence	Parameter (in Hex)	Enable clock signal	80	Disable clock signal	01			Enable clock signal → Enable Analog	C0	Disable Analog → Disable clock signal	03			Enable clock signal → Load LUT with DISPLAY Mode 1 → Disable clock signal	91	Enable clock signal → Load LUT with DISPLAY Mode 2 → Disable clock signal	99			Enable clock signal → Load temperature value → Load LUT with DISPLAY Mode 1 → Disable clock signal	B1	Enable clock signal → Load temperature value → Load LUT with DISPLAY Mode 2 → Disable clock signal	B9			Enable clock signal → Enable Analog → Display with DISPLAY Mode 1 → Disable Analog → Disable OSC	C7	Enable clock signal → Enable Analog → Display with DISPLAY Mode 2 → Disable Analog → Disable OSC	CF			Enable clock signal → Enable Analog → Load temperature value → DISPLAY with DISPLAY Mode 1 → Disable Analog → Disable OSC	F7
Operating sequence	Parameter (in Hex)																																														
Enable clock signal	80																																														
Disable clock signal	01																																														
Enable clock signal → Enable Analog	C0																																														
Disable Analog → Disable clock signal	03																																														
Enable clock signal → Load LUT with DISPLAY Mode 1 → Disable clock signal	91																																														
Enable clock signal → Load LUT with DISPLAY Mode 2 → Disable clock signal	99																																														
Enable clock signal → Load temperature value → Load LUT with DISPLAY Mode 1 → Disable clock signal	B1																																														
Enable clock signal → Load temperature value → Load LUT with DISPLAY Mode 2 → Disable clock signal	B9																																														
Enable clock signal → Enable Analog → Display with DISPLAY Mode 1 → Disable Analog → Disable OSC	C7																																														
Enable clock signal → Enable Analog → Display with DISPLAY Mode 2 → Disable Analog → Disable OSC	CF																																														
Enable clock signal → Enable Analog → Load temperature value → DISPLAY with DISPLAY Mode 1 → Disable Analog → Disable OSC	F7																																														
Enable clock signal → Enable Analog → Load temperature value → DISPLAY with DISPLAY Mode 2 → Disable Analog → Disable OSC	FF																																														
0	0	24	0	0	1	0	0	1	0	0	Write RAM (Black White) / RAM 0x24	After this command, data entries will be written into the BW RAM until another command is written. Address pointers will advance accordingly For Write pixel: Content of Write RAM(BW) = 1 For Black pixel: Content of Write RAM(BW) = 0																																			

Command Table											Command	Description
R/W#	D/C#	Hex	D7	D6	D5	D4	D3	D2	D1	D0		
0	0	26	0	0	1	0	0	1	1	0	Write RAM (RED) / RAM 0x26	After this command, data entries will be written into the RED RAM until another command is written. Address pointers will advance accordingly. For Red pixel: Content of Write RAM(RED) = 1 For non-Red pixel [Black or White]: Content of Write RAM(RED) = 0
0	0	27	0	0	1	0	0	1	1	1	Read RAM	After this command, data read on the MCU bus will fetch data from RAM. According to parameter of Register 41h to select reading RAM0x24/ RAM0x26, until another command is written. Address pointers will advance accordingly. The 1 st byte of data read is dummy data.
0	0	28	0	0	1	0	1	0	0	0	VCOM Sense	Enter VCOM sensing conditions and hold for duration defined in 29h before reading VCOM value. The sensed VCOM voltage is stored in register The command required CLKEN=1 and ANALOGEN=1 Refer to Register 0x22 for detail. BUSY pad will output high during operation.
0	0	29	0	0	1	0	1	0	0	1	VCOM Sense Duration	Stabling time between entering VCOM sensing mode and reading acquired. A[3:0] = 9h, duration = 10s. VCOM sense duration = (A[3:0]+1) sec
0	1		0	1	0	0	A ₃	A ₂	A ₁	A ₀		
0	0	2A	0	0	1	0	1	0	1	0	Program VCOM OTP	Program VCOM register into OTP The command required CLKEN=1. Refer to Register 0x22 for detail. BUSY pad will output high during operation.
0	0	2B	0	0	1	0	1	0	1	1	Write Register for VCOM Control	This command is used to reduce glitch when ACVCOM toggle. Two data bytes D04h and D63h should be set for this command.
0	1		0	0	0	0	0	1	0	0		
0	1		0	1	1	0	0	0	1	1		

Command Table																
R/W#	D/C#	Hex	D7	D6	D5	D4	D3	D2	D1	D0	Command	Description				
0	0	2C	0	0	1	0	1	1	0	0	Write VCOM register	Write VCOM register from MCU interface A[7:0] = 00h [POR]				
0	1		A7	A6	A5	A4	A3	A2	A1	A0						
													A[7:0]	VCOM	A[7:0]	VCOM
													08h	-0.2	44h	-1.7
													0Ch	-0.3	48h	-1.8
													10h	-0.4	4Ch	-1.9
													14h	-0.5	50h	-2
													18h	-0.6	54h	-2.1
													1Ch	-0.7	58h	-2.2
													20h	-0.8	5Ch	-2.3
													24h	-0.9	60h	-2.4
													28h	-1	64h	-2.5
													2Ch	-1.1	68h	-2.6
													30h	-1.2	6Ch	-2.7
													34h	-1.3	70h	-2.8
													38h	-1.4	74h	-2.9
											3Ch	-1.5	78h	-3		
											40h	-1.6	Other	NA		
0	0	2D	0	0	1	0	1	1	0	1	OTP Register Read for Display Option	Read Register for Display Option: A[7:0]: VCOM OTP Selection (Command 0x37, Byte A) B[7:0]: VCOM Register (Command 0x2C) C[7:0]~G[7:0]: Display Mode (Command 0x37, Byte B to Byte F) [5 bytes] H[7:0]~K[7:0]: Waveform Version (Command 0x37, Byte G to Byte J) [4 bytes]				
1	1		A7	A6	A5	A4	A3	A2	A1	A0						
1	1		B7	B6	B5	B4	B3	B2	B1	B0						
1	1		C7	C6	C5	C4	C3	C2	C1	C0						
1	1		D7	D6	D5	D4	D3	D2	D1	D0						
1	1		E7	E6	E5	E4	E3	E2	E1	E0						
1	1		F7	F6	F5	F4	F3	F2	F1	F0						
1	1		G7	G6	G5	G4	G3	G2	G1	G0						
1	1		H7	H6	H5	H4	H3	H2	H1	H0						
1	1		I7	I6	I5	I4	I3	I2	I1	I0						
1	1		J7	J6	J5	J4	J3	J2	J1	J0						
1	1		K7	K6	K5	K4	K3	K2	K1	K0						
0	0	2E	0	0	1	0	1	1	1	0	User ID Read	Read 10 Byte User ID stored in OTP: A[7:0]~J[7:0]: UserID (R38, Byte A and Byte J) [10 bytes]				
1	1		A7	A6	A5	A4	A3	A2	A1	A0						
1	1		B7	B6	B5	B4	B3	B2	B1	B0						
1	1		C7	C6	C5	C4	C3	C2	C1	C0						
1	1		D7	D6	D5	D4	D3	D2	D1	D0						
1	1		E7	E6	E5	E4	E3	E2	E1	E0						
1	1		F7	F6	F5	F4	F3	F2	F1	F0						
1	1		G7	G6	G5	G4	G3	G2	G1	G0						
1	1		H7	H6	H5	H4	H3	H2	H1	H0						
1	1		I7	I6	I5	I4	I3	I2	I1	I0						
1	1		J7	J6	J5	J4	J3	J2	J1	J0						

Command Table											Command	Description
R/W#	D/C#	Hex	D7	D6	D5	D4	D3	D2	D1	D0		
0	0	2F	0	0	1	0	1	1	1	1	Status Bit Read	Read IC status Bit [POR 0x01] A[5]: HV Ready Detection flag [POR=0] 0: Ready 1: Not Ready A[4]: VCI Detection flag [POR=0] 0: Normal 1: VCI lower than the Detect level A[3]: [POR=0] A[2]: Busy flag [POR=0] 0: Normal 1: BUSY A[1:0]: Chip ID [POR=01] Remark: A[5] and A[4] status are not valid after RESET, they need to be initiated by command 0x14 and command 0x15 respectively.
1	1		0	0	A ₅	A ₄	0	0	A ₁	A ₀		
0	0	30	0	0	1	1	0	0	0	0	Program WS OTP	Program OTP of Waveform Setting The contents should be written into RAM before sending this command. The command required CLKEN=1. Refer to Register 0x22 for detail. BUSY pad will output high during operation.
0	0	31	0	0	1	1	0	0	0	1	Load WS OTP	Load OTP of Waveform Setting The command required CLKEN=1. Refer to Register 0x22 for detail. BUSY pad will output high during operation.
0	0	32	0	0	1	1	0	0	1	0	Write LUT register	Write LUT register from MCU interface [153 bytes], which contains the content of VS[nX-LUTm], TP[nX], RP[n], SR[nXY], and FR[n] Refer to Session 6.7 WAVEFORM SETTING
0	1		A ₇	A ₆	A ₅	A ₄	A ₃	A ₂	A ₁	A ₀		
0	1		B ₇	B ₆	B ₅	B ₄	B ₃	B ₂	B ₁	B ₀		
0	1		:	:	:	:	:	:	:	:		
0	1			
0	0	34	0	0	1	1	0	1	0	0	CRC calculation	CRC calculation command For details, please refer to SSD1681 application note. BUSY pad will output high during operation.
0	0	35	0	0	1	1	0	1	0	1	CRC Status Read	CRC Status Read A[15:0] is the CRC read out value
1	1		A ₁₅	A ₁₄	A ₁₃	A ₁₂	A ₁₁	A ₁₀	A ₉	A ₈		
1	1		A ₇	A ₆	A ₅	A ₄	A ₃	A ₂	A ₁	A ₀		

Command Table											Command	Description
R/W#	D/C#	Hex	D7	D6	D5	D4	D3	D2	D1	D0		
0	0	36	0	0	1	1	0	1	1	0	Program OTP selection	Program OTP Selection according to the OTP Selection Control [R37h and R38h] The command required CLKEN=1. Refer to Register 0x22 for detail. BUSY pad will output high during operation.
0	0	37	0	0	1	1	0	1	1	1	Write Register for Display Option	Write Register for Display Option A[7] Spare VCOM OTP selection 0: Default [POR] 1: Spare B[7:0] Display Mode for WS[7:0] C[7:0] Display Mode for WS[15:8] D[7:0] Display Mode for WS[23:16] E[7:0] Display Mode for WS[31:24] F[3:0] Display Mode for WS[35:32] 0: Display Mode 1 1: Display Mode 2 F[6]: PingPong for Display Mode 2 0: RAM Ping-Pong disable [POR] 1: RAM Ping-Pong enable G[7:0]~J[7:0] module ID /waveform version. Remarks: 1) A[7:0]~J[7:0] can be stored in OTP 2) RAM Ping-Pong function is not support for Display Mode 1
0	1		A ₇	0	0	0	0	0	0	0		
0	1		B ₇	B ₆	B ₅	B ₄	B ₃	B ₂	B ₁	B ₀		
0	1		C ₇	C ₆	C ₅	C ₄	C ₃	C ₂	C ₁	C ₀		
0	1		D ₇	D ₆	D ₅	D ₄	D ₃	D ₂	D ₁	D ₀		
0	1		E ₇	E ₆	E ₅	E ₄	E ₃	E ₂	E ₁	E ₀		
0	1		0	F ₆	0	0	F ₃	F ₂	F ₁	F ₀		
0	1		G ₇	G ₆	G ₅	G ₄	G ₃	G ₂	G ₁	G ₀		
0	1		H ₇	H ₆	H ₅	H ₄	H ₃	H ₂	H ₁	H ₀		
0	1		I ₇	I ₆	I ₅	I ₄	I ₃	I ₂	I ₁	I ₀		
0	1		J ₇	J ₆	J ₅	J ₄	J ₃	J ₂	J ₁	J ₀		
0	0	38	0	0	1	1	1	0	0	0	Write Register for User ID	Write Register for User ID A[7:0]~J[7:0]: UserID [10 bytes] Remarks: A[7:0]~J[7:0] can be stored in OTP
0	1		A ₇	A ₆	A ₅	A ₄	A ₃	A ₂	A ₁	A ₀		
0	1		B ₇	B ₆	B ₅	B ₄	B ₃	B ₂	B ₁	B ₀		
0	1		C ₇	C ₆	C ₅	C ₄	C ₃	C ₂	C ₁	C ₀		
0	1		D ₇	D ₆	D ₅	D ₄	D ₃	D ₂	D ₁	D ₀		
0	1		E ₇	E ₆	E ₅	E ₄	E ₃	E ₂	E ₁	E ₀		
0	1		F ₇	F ₆	F ₅	F ₄	F ₃	F ₂	F ₁	F ₀		
0	1		G ₇	G ₆	G ₅	G ₄	G ₃	G ₂	G ₁	G ₀		
0	1		H ₇	H ₆	H ₅	H ₄	H ₃	H ₂	H ₁	H ₀		
0	1		I ₇	I ₆	I ₅	I ₄	I ₃	I ₂	I ₁	I ₀		
0	1		J ₇	J ₆	J ₅	J ₄	J ₃	J ₂	J ₁	J ₀		
0	0	39	0	0	1	1	1	0	0	1	OTP program mode	OTP program mode A[1:0] = 00: Normal Mode [POR] A[1:0] = 11: Internal generated OTP programming voltage Remark: User is required to EXACTLY follow the reference code sequences
0	1		0	0	0	0	0	0	A ₁	A ₀		

Command Table																																															
R/W#	D/C#	Hex	D7	D6	D5	D4	D3	D2	D1	D0	Command	Description																																			
0	0	3C	0	0	1	1	1	1	0	0	Border Waveform Control	Select border waveform for VBD A[7:0] = C0h [POR], set VBD as HiZ. A [7:6] :Select VBD option																																			
0	1		A7	A6	A5	A4	0	A2	A1	A0			<table border="1"> <tr> <td>A[7:6]</td> <td>Select VBD as</td> </tr> <tr> <td>00</td> <td>GS Transition, Defined in A[2] and A[1:0]</td> </tr> <tr> <td>01</td> <td>Fix Level, Defined in A[5:4]</td> </tr> <tr> <td>10</td> <td>VCOM</td> </tr> <tr> <td>11[POR]</td> <td>HiZ</td> </tr> </table> A [5:4] Fix Level Setting for VBD <table border="1"> <tr> <td>A[5:4]</td> <td>VBD level</td> </tr> <tr> <td>00</td> <td>VSS</td> </tr> <tr> <td>01</td> <td>VSH1</td> </tr> <tr> <td>10</td> <td>VSL</td> </tr> <tr> <td>11</td> <td>VSH2</td> </tr> </table> A[2] GS Transition control <table border="1"> <tr> <td>A[2]</td> <td>GS Transition control</td> </tr> <tr> <td>0</td> <td>Follow LUT (Output VCOM @ RED)</td> </tr> <tr> <td>1</td> <td>Follow LUT</td> </tr> </table> A [1:0] GS Transition setting for VBD <table border="1"> <tr> <td>A[1:0]</td> <td>VBD Transition</td> </tr> <tr> <td>00</td> <td>LUT0</td> </tr> <tr> <td>01</td> <td>LUT1</td> </tr> <tr> <td>10</td> <td>LUT2</td> </tr> <tr> <td>11</td> <td>LUT3</td> </tr> </table>	A[7:6]	Select VBD as	00	GS Transition, Defined in A[2] and A[1:0]	01	Fix Level, Defined in A[5:4]	10	VCOM	11[POR]	HiZ	A[5:4]	VBD level	00	VSS	01	VSH1	10	VSL	11	VSH2	A[2]	GS Transition control	0	Follow LUT (Output VCOM @ RED)	1	Follow LUT	A[1:0]	VBD Transition	00	LUT0	01	LUT1	10	LUT2
A[7:6]	Select VBD as																																														
00	GS Transition, Defined in A[2] and A[1:0]																																														
01	Fix Level, Defined in A[5:4]																																														
10	VCOM																																														
11[POR]	HiZ																																														
A[5:4]	VBD level																																														
00	VSS																																														
01	VSH1																																														
10	VSL																																														
11	VSH2																																														
A[2]	GS Transition control																																														
0	Follow LUT (Output VCOM @ RED)																																														
1	Follow LUT																																														
A[1:0]	VBD Transition																																														
00	LUT0																																														
01	LUT1																																														
10	LUT2																																														
11	LUT3																																														
0	0	3F	0	0	1	1	1	1	1	1	End Option (EOPT)	Option for LUT end A[7:0]= 02h [POR]																																			
0	1		A7	A6	A5	A4	A3	A2	A1	A0			<table border="1"> <tr> <td>22h</td> <td>Normal.</td> </tr> <tr> <td>07h</td> <td>Source output level keep previous output before power off</td> </tr> </table>	22h	Normal.	07h	Source output level keep previous output before power off																														
22h	Normal.																																														
07h	Source output level keep previous output before power off																																														
0	0	41	0	1	0	0	0	0	0	1	Read RAM Option	Read RAM Option A[0]= 0 [POR] 0 : Read RAM corresponding to RAM0x24 1 : Read RAM corresponding to RAM0x26																																			
0	1		0	0	0	0	0	0	0	A0																																					
0	0	44	0	1	0	0	0	1	0	0	Set RAM X - address Start / End position	Specify the start/end positions of the window address in the X direction by an address unit for RAM A[5:0]: XSA[5:0], XStart, POR = 00h B[5:0]: XEA[5:0], XEnd, POR = 15h																																			
0	1		0	0	A5	A4	A3	A2	A1	A0																																					
0	1		0	0	B5	B4	B3	B2	B1	B0																																					
0	0	45	0	1	0	0	0	1	0	1	Set Ram Y- address Start / End position	Specify the start/end positions of the window address in the Y direction by an address unit for RAM A[8:0]: YSA[8:0], YStart, POR = 000h B[8:0]: YEA[8:0], YEnd, POR = 127h																																			
0	1		A7	A6	A5	A4	A3	A2	A1	A0																																					
0	1		0	0	0	0	0	0	0	A8																																					
0	1		B7	B6	B5	B4	B3	B2	B1	B0																																					
0	1		0	0	0	0	0	0	0	B8																																					

Command Table											Command	Description																																							
R/W#	D/C#	Hex	D7	D6	D5	D4	D3	D2	D1	D0																																									
0	0	46	0	1	0	0	0	1	1	0	Auto Write RED RAM for Regular Pattern	Auto Write RED RAM for Regular Pattern A[7:0] = 00h [POR]																																							
0	1		A ₇	A ₆	A ₅	A ₄	0	A ₂	A ₁	A ₀			A[7]: The 1st step value, POR = 0 A[6:4]: Step Height, POR= 000 Step of alter RAM in Y-direction according to Gate <table border="1"> <thead> <tr> <th>A[6:4]</th> <th>Height</th> <th>A[6:4]</th> <th>Height</th> </tr> </thead> <tbody> <tr> <td>000</td> <td>8</td> <td>100</td> <td>128</td> </tr> <tr> <td>001</td> <td>16</td> <td>101</td> <td>200</td> </tr> <tr> <td>010</td> <td>32</td> <td>110</td> <td>200</td> </tr> <tr> <td>011</td> <td>64</td> <td>111</td> <td>200</td> </tr> </tbody> </table> A[2:0]: Step Width, POR= 000 Step of alter RAM in X-direction according to Source <table border="1"> <thead> <tr> <th>A[2:0]</th> <th>Width</th> <th>A[2:0]</th> <th>Width</th> </tr> </thead> <tbody> <tr> <td>000</td> <td>8</td> <td>100</td> <td>128</td> </tr> <tr> <td>001</td> <td>16</td> <td>101</td> <td>200</td> </tr> <tr> <td>010</td> <td>32</td> <td>110</td> <td>200</td> </tr> <tr> <td>011</td> <td>64</td> <td>111</td> <td>200</td> </tr> </tbody> </table> BUSY pad will output high during operation.	A[6:4]	Height	A[6:4]	Height	000	8	100	128	001	16	101	200	010	32	110	200	011	64	111	200	A[2:0]	Width	A[2:0]	Width	000	8	100	128	001	16	101	200	010	32	110	200	011	64
A[6:4]	Height	A[6:4]	Height																																																
000	8	100	128																																																
001	16	101	200																																																
010	32	110	200																																																
011	64	111	200																																																
A[2:0]	Width	A[2:0]	Width																																																
000	8	100	128																																																
001	16	101	200																																																
010	32	110	200																																																
011	64	111	200																																																
0	0	47	0	1	0	0	0	1	1	1	Auto Write B/W RAM for Regular Pattern	Auto Write B/W RAM for Regular Pattern A[7:0] = 00h [POR]																																							
0	1		A ₇	A ₆	A ₅	A ₄	0	A ₂	A ₁	A ₀			A[7]: The 1st step value, POR = 0 A[6:4]: Step Height, POR= 000 Step of alter RAM in Y-direction according to Gate <table border="1"> <thead> <tr> <th>A[6:4]</th> <th>Height</th> <th>A[6:4]</th> <th>Height</th> </tr> </thead> <tbody> <tr> <td>000</td> <td>8</td> <td>100</td> <td>128</td> </tr> <tr> <td>001</td> <td>16</td> <td>101</td> <td>200</td> </tr> <tr> <td>010</td> <td>32</td> <td>110</td> <td>200</td> </tr> <tr> <td>011</td> <td>64</td> <td>111</td> <td>200</td> </tr> </tbody> </table> A[2:0]: Step Width, POR= 000 Step of alter RAM in X-direction according to Source <table border="1"> <thead> <tr> <th>A[2:0]</th> <th>Width</th> <th>A[2:0]</th> <th>Width</th> </tr> </thead> <tbody> <tr> <td>000</td> <td>8</td> <td>100</td> <td>128</td> </tr> <tr> <td>001</td> <td>16</td> <td>101</td> <td>200</td> </tr> <tr> <td>010</td> <td>32</td> <td>110</td> <td>200</td> </tr> <tr> <td>011</td> <td>64</td> <td>111</td> <td>200</td> </tr> </tbody> </table> During operation, BUSY pad will output high.	A[6:4]	Height	A[6:4]	Height	000	8	100	128	001	16	101	200	010	32	110	200	011	64	111	200	A[2:0]	Width	A[2:0]	Width	000	8	100	128	001	16	101	200	010	32	110	200	011	64
A[6:4]	Height	A[6:4]	Height																																																
000	8	100	128																																																
001	16	101	200																																																
010	32	110	200																																																
011	64	111	200																																																
A[2:0]	Width	A[2:0]	Width																																																
000	8	100	128																																																
001	16	101	200																																																
010	32	110	200																																																
011	64	111	200																																																

Command Table											Command	Description
R/W#	D/C#	Hex	D7	D6	D5	D4	D3	D2	D1	D0		
0	0	4E	0	1	0	0	1	1	1	0	Set RAM X address counter	Make initial settings for the RAM X address in the address counter (AC) A[5:0]: 00h [POR].
0	1		0	0	A ₅	A ₄	A ₃	A ₂	A ₁	A ₀		
0	0	4F	0	1	0	0	1	1	1	1	Set RAM Y address counter	Make initial settings for the RAM Y address in the address counter (AC) A[8:0]: 000h [POR].
0	1		A ₇	A ₆	A ₅	A ₄	A ₃	A ₂	A ₁	A ₀		
0	1		0	0	0	0	0	0	0	A ₈		
0	0	7F	0	1	1	1	1	1	1	1	NOP	This command is an empty command; it does not have any effect on the display module. However it can be used to terminate Frame Memory Write or Read Commands.

8 Operation Flow and Code Sequence

8.1 General operation flow to drive display panel

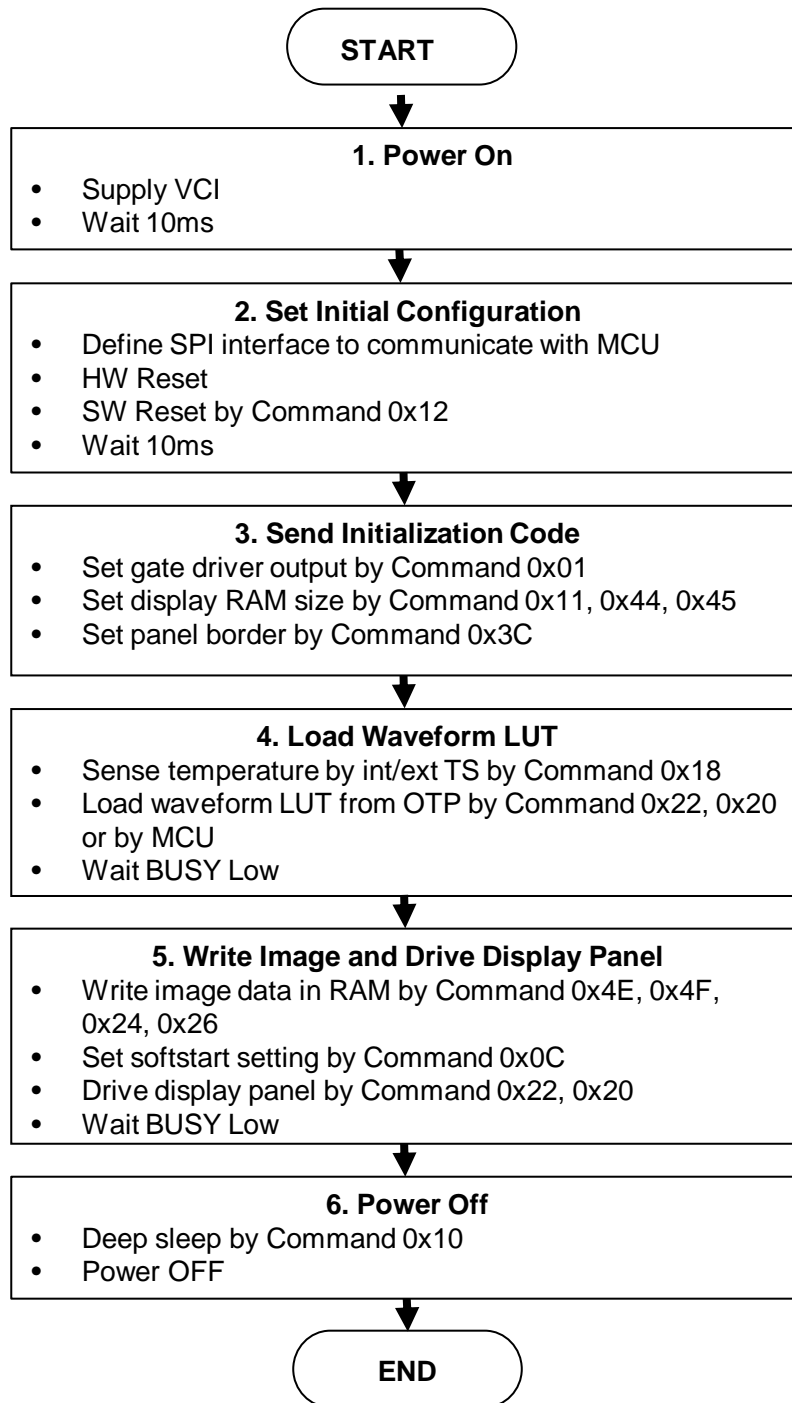


Figure 8-1: Operation flow to drive display panel

9 Absolute Maximum Rating

Table 9-1 : Maximum Ratings

Symbol	Parameter	Rating	Unit
V _{CI}	Logic supply voltage	-0.5 to +6.0	V
V _{IN}	Logic Input voltage	-0.5 to V _{DDIO} +0.5	V
V _{OUT}	Logic Output voltage	-0.5 to V _{DDIO} +0.5	V
T _{OPR}	Operation temperature range	-40 to +85	°C
T _{STG}	Storage temperature range	-65 to +150	°C

Maximum ratings are those values beyond which damages to the device may occur. Functional operation should be restricted to the limits in the Electrical Characteristics tables or Pin Description section

This device contains circuitry to protect the inputs against damage due to high static voltages or electric fields; however, it is advised that normal precautions be taken to avoid application of any voltage higher than maximum rated voltages to this high impedance circuit. For proper operation it is recommended that V_{CI} be constrained to the range V_{SS} < V_{CI}. Reliability of operation is enhanced if unused input is connected to an appropriate logic voltage level (e.g., either V_{SS} or V_{DDIO}). Unused outputs must be left open. This device may be light sensitive. Caution should be taken to avoid exposure of this device to any light source during normal operation. This device is not radiation protected.

10 Electrical Characteristics

The following specifications apply for: V_{SS}=0V, V_{CI}=3.0V, V_{DD}=1.8V, T_{OPR}=25°C.

Table 10-1: DC Characteristics

Symbol	Parameter	Applicable pin	Test Condition	Min.	Typ.	Max.	Unit
V _{CI}	V _{CI} operation voltage	V _{CI}		2.2	3.0	3.7	V
V _{DD}	V _{DD} operation voltage	V _{DD}		1.7	1.8	1.9	V
V _{COM_DC}	V _{COM_DC} output voltage	V _{COM}		-3.0		-0.2	V
dV _{COM_DC}	V _{COM_DC} output voltage deviation	V _{COM}		-200		200	mV
V _{COM_AC}	V _{COM_AC} output voltage	V _{COM}		V _{SL} + V _{COM_DC}	V _{COM_DC}	V _{SH1} + V _{COM_DC}	V
V _{GATE}	Gate output voltage	G0~G199		-20		+20	V
V _{GATE(p-p)}	Gate output peak to peak voltage	G0~G199				40	V
V _{SH1}	Positive Source output voltage	V _{SH1}		+2.4	+15	+17	V
dV _{SH1}	V _{SH1} output voltage deviation	V _{SH1}	From 2.4V to 8.8V	-100		100	mV
			From 9.0V to 17V	-200		200	mV
V _{SH2}	Positive Source output voltage	V _{SH2}		+2.4	+5	+17	V
dV _{SH2}	V _{SH2} output voltage deviation	V _{SH2}	From 2.4V to 8.8V	-100		100	mV
			From 9.0V to 17V	-200		200	mV
V _{SL}	Negative Source output voltage	V _{SL}		-17	-15	-9	V
dV _{SL}	V _{SL} output voltage deviation	V _{SL}		-200		200	mV
V _{IH}	High level input voltage	SDA, SCL, CS#, D/C#, RES#, BS1, M/S#, CL		0.8V _{DDIO}			V
V _{IL}	Low level input voltage					0.2V _{DDIO}	V
V _{OH}	High level output voltage	SDA, BUSY, CL	I _{OH} = -100uA	0.9V _{DDIO}			V
V _{OL}	Low level output voltage		I _{OL} = 100uA			0.1V _{DDIO}	V
V _{PP}	OTP Program voltage	V _{PP}		7.25	7.5	7.75	V

Symbol	Parameter	Applicable pin	Test Condition	Min.	Typ.	Max.	Unit
IsIp_VCI	Sleep mode current	VCI	- DC/DC off - No clock - No output load - MCU interface access - RAM data access		20	TBD	uA
I _{dsIp_VCI1}	Current of deep sleep mode 1	VCI	- DC/DC off - No clock - No output load - No MCU interface access - Retain RAM data but cannot access the RAM		1	TBD	uA
I _{dsIp_VCI2}	Current of deep sleep mode 2	VCI	- DC/DC off - No clock - No output load - No MCU interface access - Cannot retain RAM data		0.7	TBD	uA
I _{opr_VCI}	Operating Mode current	VCI	VCI=3.0V		1000		uA
V _{GH}	Operating Mode Output Voltage	VGH	Enable Clock and Analog by Master Activation Command VGH=20V VGL=-VGH VSH1=15V VSH2=5V VSL=-15V VCOM = -2V No waveform transitions. No loading. No RAM read/write No OTP read /write	19.5	20	20.5	V
V _{SH1}		VSH1		14.8	15	15.2	V
V _{SH2}		VSH2		4.9	5	5.1	V
V _{SL}		VSL		-15.2	-15	-14.8	V
V _{COM}		VCOM		-2.2	-2	-1.8	V

Table 10-2: Regulators Characteristics

Symbol	Parameter	Test Condition	Applicable pin	Min.	Typ.	Max.	Unit
IVSH	VSH1 current	VSH1 = +15V	VSH1			800	uA
IVSH1	VSH2 current	VSH2 = +5V	VSH2			800	uA
IVSL	VSL current	VSL = -15V	VSL			800	uA
IVCOM	VCOM current	VCOM = -2V	VCOM			100	uA

11 AC Characteristics

11.1 Serial Peripheral Interface

The following specifications apply for: VDDIO - VSS = 2.2V to 3.7V, T_{OPR} = 25°C, CL=20pF

Table 11-1 : Serial Peripheral Interface Timing Characteristics

Write mode

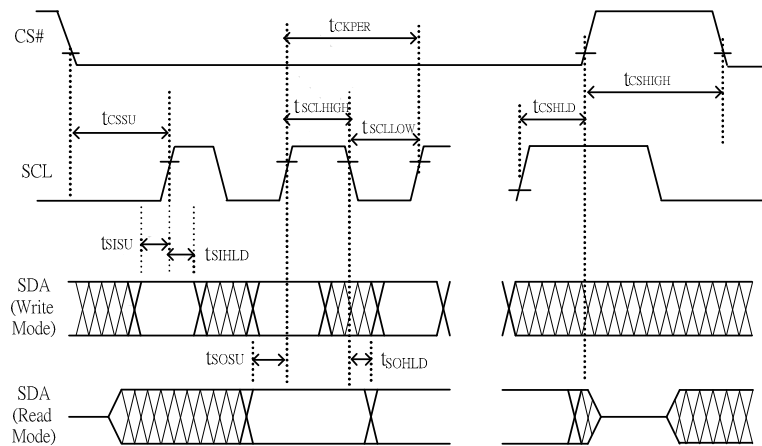
Symbol	Parameter	Min	Typ	Max	Unit
f _{SCL}	SCL frequency (Write Mode)			20	MHz
t _{CSSU}	Time CS# has to be low before the first rising edge of SCLK	TBD			ns
t _{CSHLD}	Time CS# has to remain low after the last falling edge of SCLK	TBD			ns
t _{CSHIGH}	Time CS# has to remain high between two transfers	TBD			ns
t _{SCLHIGH}	Part of the clock period where SCL has to remain high	TBD			ns
t _{SCLLOW}	Part of the clock period where SCL has to remain low	TBD			ns
t _{SISU}	Time SI (SDA Write Mode) has to be stable before the next rising edge of SCL	TBD			ns
t _{SIHLD}	Time SI (SDA Write Mode) has to remain stable after the rising edge of SCL	TBD			ns

Read mode

Symbol	Parameter	Min	Typ	Max	Unit
f _{SCL}	SCL frequency (Read Mode)			2.5	MHz
t _{CSSU}	Time CS# has to be low before the first rising edge of SCLK	TBD			ns
t _{CSHLD}	Time CS# has to remain low after the last falling edge of SCLK	TBD			ns
t _{CSHIGH}	Time CS# has to remain high between two transfers	TBD			ns
t _{SCLHIGH}	Part of the clock period where SCL has to remain high	TBD			ns
t _{SCLLOW}	Part of the clock period where SCL has to remain low	TBD			ns
t _{SOSU}	Time SO(SDA Read Mode) will be stable before the next rising edge of SCL		50		ns
t _{SOHLD}	Time SO (SDA Read Mode) will remain stable after the falling edge of SCL		0		ns

Note: All timings are based on 20% to 80% of VDDIO-VSS

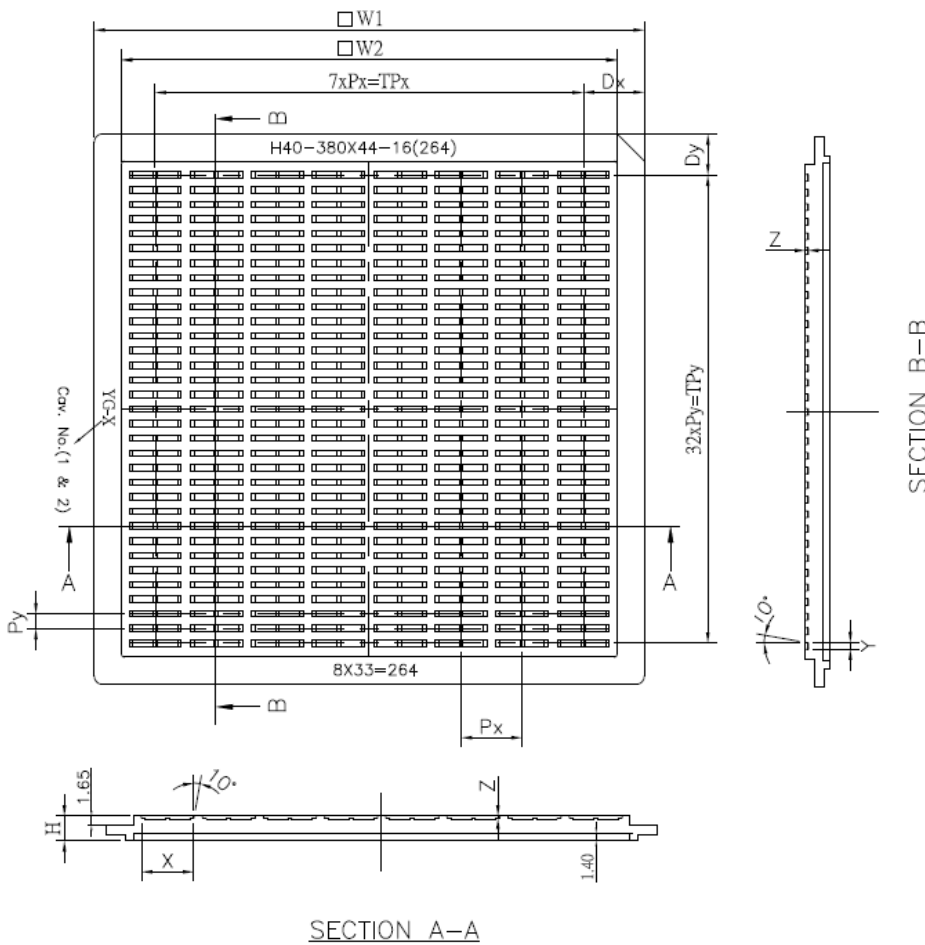
Figure 11-1: SPI timing diagram



13 Package Information

13.1 Die Tray Dimensions for SSD1681Z

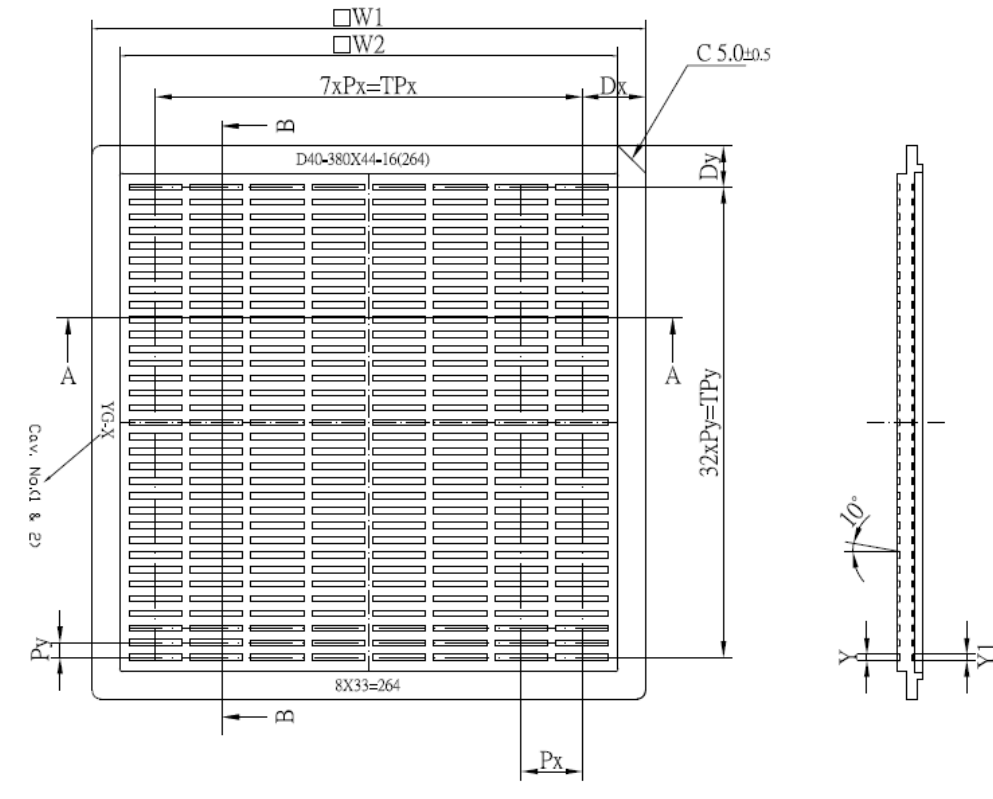
Figure 13-1 : SSD1681Z die tray information (unit: mm)



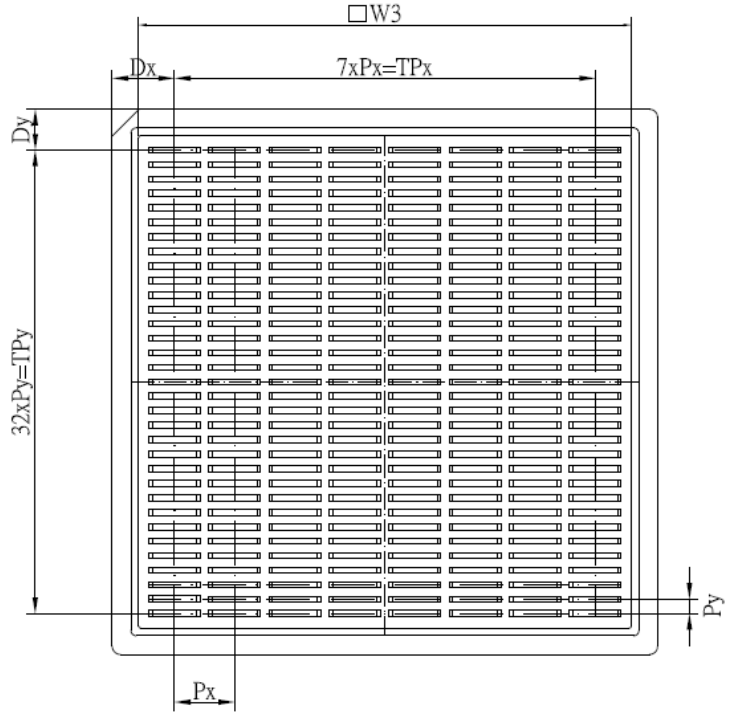
Symbol	Spec(mm)
W1	101.60±0.10
W2	91.55±0.10
W3	91.85±0.10
H	4.55±0.10
Dx	11.25±0.10
TPx	79.10±0.10
Dy	7.60±0.10
TPy	86.40±0.10
Px	11.30±0.05
Py	2.70±0.05
X	9.661±0.05
Y	1.125±0.05
Z	0.40±0.05
N	264(pocket number)

13.2 Die Tray Dimensions for SSD1681Z8

Figure 13-2 : SSD1681Z8 die tray information (unit: mm)



SECTION A-A



Symbol	Spec (mm)
W1	101.60±0.10
W2	91.55±0.10
W3	91.75±0.10
H	4.55±0.10
Px	11.20±0.05
Py	2.70±0.05
Dx	11.60±0.05
TPx	78.40±0.10
Dy	7.60±0.05
TPy	86.40±0.10
X	9.661±0.05
Y	1.125±0.05
Z	0.40±0.05
X1	9.661±0.05
Y1	1.125±0.05
Z1	0.35±0.05
N	8x33=264 (pocket number)

Solomon Systech reserves the right to make changes without notice to any products herein. Solomon Systech makes no warranty, representation or guarantee regarding the suitability of its products for any particular purpose, nor does Solomon Systech assume any liability arising out of the application or use of any product or circuit, and specifically disclaims any, and all, liability, including without limitation consequential or incidental damages. "Typical" parameters can and do vary in different applications. All operating parameters, including "Typical" must be validated for each customer application by the customer's technical experts. Solomon Systech does not convey any license under its patent rights nor the rights of others. Solomon Systech products are not designed, intended, or authorized for use as components in systems intended for surgical implant into the body, or other applications intended to support or sustain life, or for any other application in which the failure of the Solomon Systech product could create a situation where personal injury or death may occur. Should Buyer purchase or use Solomon Systech products for any such unintended or unauthorized application, Buyer shall indemnify and hold Solomon Systech and its offices, employees, subsidiaries, affiliates, and distributors harmless against all claims, costs, damages, and expenses, and reasonable attorney fees arising out of, directly or indirectly, any claim of personal injury or death associated with such unintended or unauthorized use, even if such claim alleges that Solomon Systech was negligent regarding the design or manufacture of the part.

The product(s) listed in this datasheet comply with Directive 2011/65/EU of the European Parliament and of the council of 8 June 2011 on the restriction of the use of certain hazardous substances in electrical and electronic equipment and People's Republic of China Electronic Industry Standard GB/T 26572-2011 "Requirements for concentration limits for certain hazardous substances in electronic information products (电子电器产品中限用物质的限用要求)". Hazardous Substances test report is available upon request.

<http://www.solomon-systech.com>