

SSD1362

Advance Information

**256 x 64, 16 Gray Scale Dot Matrix High Power
OLED/PLED Segment/Common Driver with Controller**

This document contains information on a product under development. Solomon Systech reserves the right to change or discontinue this product without notice.

<http://www.solomon-systech.com>

SSD1362

Rev 1.0

P 1/62

Feb 2015

Copyright © 2015 **Solomon Systech Limited**



Appendix: IC Revision history of SSD1362 Specification

Version	Change Items	Effective Date
1.0	Advance Information 1 st Release	17-Feb-15

**Confidential to
WiseChip Semiconductor Inc.**

CONTENTS

1	GENERAL DESCRIPTION	7
2	FEATURES.....	7
3	ORDERING INFORMATION	7
4	BLOCK DIAGRAM	8
5	DIE PAD FLOOR PLAN	9
6	PIN DESCRIPTIONS	12
7	FUNCTIONAL BLOCK DESCRIPTIONS	15
7.1	MCU Interface selection	15
7.1.1	MCU Parallel 6800-series Interface.....	15
7.1.2	MCU Parallel 8080-series Interface.....	16
7.1.3	MCU Serial Interface (4-wire SPI).....	17
7.1.4	MCU Serial Interface (3-wire SPI).....	18
7.1.5	MCU P ^C Interface.....	19
7.2	Command Decoder	22
7.3	Oscillator Circuit and Display Time Generator	22
7.4	FR synchronization	23
7.5	Segment Drivers / Common Drivers.....	24
7.6	SEG/COM Driving block	27
7.7	Graphic Display Data RAM (GDDRAM)	28
7.8	Gray Scale Decoder	31
7.9	Power ON and OFF sequence.....	32
7.10	V _{DD} Regulator	33
7.11	Reset Circuit	33
8	COMMAND TABLE	34
8.1	Data Read / Write	39
9	COMMAND DESCRIPTIONS.....	40
9.1	Fundamental Command Description.....	40
9.1.1	Set Column Address (15h).....	40
9.1.2	Set Row Address (75h).....	40
9.1.3	Set Contrast Current (81h)	41
9.1.4	Set Re-map (A0h).....	41
9.1.5	Set Display Start Line (A1h)	44
9.1.6	Set Display Offset (A2h).....	45
9.1.7	Set Vertical Scroll area (A3h).....	46
9.1.8	Set Display Mode (A4h ~ A7h).....	46
9.1.9	Set Multiplex Ratio (A8h).....	47
9.1.10	Function Selection A (ABh).....	47
9.1.11	External or Internal I _{REF} Selection (ADh).....	47
9.1.12	Set Display ON/OFF (AEh / AFh)	47
9.1.13	Set Phase Length (B1h).....	48
9.1.14	Set Front Clock Divider / Oscillator Frequency (B3h).....	48
9.1.15	Set GPIO (B5h).....	48
9.1.16	Set Second Pre-charge period (B6h).....	49
9.1.17	Set Gray Scale Table (B8h).....	49
9.1.18	Select Default Linear Gray Scale Table (B9h).....	49
9.1.19	Set Pre-charge Voltage (BCh)	49
9.1.20	Pre-charge Voltage Capacitor Selection (BDh)	49

9.1.21	Set V_{COMH} Voltage (BEh).....	49
9.1.22	Set Command Lock (FDh).....	50
9.1.23	Set Fade In / Out and Blinking (23h).....	50
10	MAXIMUM RATINGS	51
11	DC CHARACTERISTICS	52
12	AC CHARACTERISTICS	54
12.1	AC Characteristics	54
12.2	6800-Series MCU Parallel Interface Timing Characteristics.....	55
12.3	8080-Series MCU Parallel Interface Timing Characteristics.....	56
12.4	Serial Interface Timing Characteristics.....	57
12.5	I ² C Timing Characteristics.....	59
13	APPLICATION EXAMPLE	60
14	PACKAGE INFORMATION	61
14.1	SSD1362Z Die Tray Information	61

Confidential to
 WiseChip Semiconductor Inc.

TABLES

TABLE 3-1: ORDERING INFORMATION	7
TABLE 5-1 : SSD1362 BUMP DIE PAD COORDINATES	9
TABLE 6-1 : SSD1362 PIN DESCRIPTION	12
TABLE 6-2 : BUS INTERFACE SELECTION	13
TABLE 7-1 : MCU INTERFACE ASSIGNMENT UNDER DIFFERENT BUS INTERFACE MODE	15
TABLE 7-2 : CONTROL PINS OF 6800 INTERFACE.....	15
TABLE 7-3 : CONTROL PINS OF 8080 INTERFACE.....	17
TABLE 7-4 : CONTROL PINS OF 4-WIRE SERIAL INTERFACE.....	17
TABLE 7-5: CONTROL PINS OF 3-WIRE SERIAL INTERFACE.....	18
TABLE 7-6 : GDDRAM ADDRESS MAP 1	28
TABLE 7-7 : GDDRAM ADDRESS MAP 2	28
TABLE 7-8 : GDDRAM ADDRESS MAP 3	29
TABLE 7-9 : GDDRAM ADDRESS MAP 4	29
TABLE 7-10 : GDDRAM ADDRESS MAP 5	30
TABLE 7-11: IO REGULATOR PIN DESCRIPTION	33
TABLE 8-1: COMMAND TABLE	34
TABLE 8-2 : ADDRESS INCREMENT TABLE (AUTOMATIC)	39
TABLE 9-1 : SEG PINS HARDWARE CONFIGURATION	392
TABLE 10-1 : MAXIMUM RATINGS	51
TABLE 11-1 : DC CHARACTERISTICS	52
TABLE 12-1 : AC CHARACTERISTICS	54
TABLE 12-2 : 6800-SERIES MCU PARALLEL INTERFACE TIMING CHARACTERISTICS.....	55
TABLE 12-3 : 8080-SERIES MCU PARALLEL INTERFACE TIMING CHARACTERISTICS.....	56
TABLE 12-4 : SERIAL INTERFACE TIMING CHARACTERISTICS (4-WIRE SPI)	57
TABLE 12-5: SERIAL INTERFACE TIMING CHARACTERISTICS (3-WIRE SPI)	58

Confidential to
WiseChip Semiconductor Inc.

FIGURES

FIGURE 4-1: SSD1362 BLOCK DIAGRAM	8
FIGURE 5-1 – SSD1362Z DIE DRAWING	9
FIGURE 5-2: SSD1362Z ALIGNMENT MARK DIMENSION	9
FIGURE 7-1 : DATA READ BACK PROCEDURE - INSERTION OF DUMMY READ	16
FIGURE 7-2 : EXAMPLE OF WRITE PROCEDURE IN 8080 PARALLEL INTERFACE MODE.....	16
FIGURE 7-3 : EXAMPLE OF READ PROCEDURE IN 8080 PARALLEL INTERFACE MODE	16
FIGURE 7-4 : DISPLAY DATA READ BACK PROCEDURE - INSERTION OF DUMMY READ	17
FIGURE 7-5 : WRITE PROCEDURE IN 4-WIRE SERIAL INTERFACE MODE.....	18
FIGURE 7-6: WRITE PROCEDURE IN 3-WIRE SERIAL INTERFACE MODE.....	18
FIGURE 7-7 : I2C-BUS DATA FORMAT	20
FIGURE 7-8 : DEFINITION OF THE START AND STOP CONDITION	21
FIGURE 7-9 : DEFINITION OF THE ACKNOWLEDGEMENT CONDITION	21
FIGURE 7-10 : DEFINITION OF THE DATA TRANSFER CONDITION	21
FIGURE 7-11: OSCILLATOR CIRCUIT	22
FIGURE 7-12: SEGMENT AND COMMON DRIVER BLOCK DIAGRAM	24
FIGURE 7-13 : SEGMENT AND COMMON DRIVER SIGNAL WAVEFORM	25
FIGURE 7-14 : GRAY SCALE CONTROL BY PWM IN SEGMENT	26
FIGURE 7-15 : I_{REF} CURRENT SETTING BY RESISTOR VALUE	27
FIGURE 7-16 : RELATION BETWEEN GDDRAM CONTENT AND GRAY SCALE TABLE ENTRY (UNDER COMMAND B9H ENABLE LINEAR GRAY SCALE TABLE).....	31
FIGURE 7-17 : THE POWER ON SEQUENCE.....	32
FIGURE 7-18 : THE POWER OFF SEQUENCE.....	32
FIGURE 9-1: EXAMPLE OF COLUMN AND ROW ADDRESS POINTER MOVEMENT	40
FIGURE 9-2: ADDRESS POINTER MOVEMENT OF HORIZONTAL ADDRESS INCREMENT MODE.....	41
FIGURE 9-3: ADDRESS POINTER MOVEMENT OF VERTICAL ADDRESS INCREMENT MODE.....	41
FIGURE 9-4: EXAMPLE OF SET DISPLAY START LINE WITH NO REMAPPING	44
FIGURE 9-5: EXAMPLE OF SET DISPLAY OFFSET WITH NO REMAPPING	45
FIGURE 9-6: EXAMPLE OF NORMAL DISPLAY	46
FIGURE 9-7: EXAMPLE OF ENTIRE DISPLAY ON	46
FIGURE 9-8 : EXAMPLE OF ENTIRE DISPLAY OFF.....	46
FIGURE 9-9: EXAMPLE OF INVERSE DISPLAY.....	46
FIGURE 9-10: DISPLAY ON SEQUENCE (WHEN INITIAL START).....	47
FIGURE 9-11: DISPLAY OFF SEQUENCE	47
FIGURE 9-12: DISPLAY ON SEQUENCE (DURING SLEEP MODE AND INTERNAL V_{DD} REGULATOR IS DISABLED).....	48
FIGURE 9-13 : EXAMPLE OF GAMMA CORRECTION BY GAMMA LOOK UP TABLE SETTING	49
FIGURE 9-14 : EXAMPLE OF FADE OUT MODE.....	50
FIGURE 9-15 : EXAMPLE OF BLINKING MODE	50
FIGURE 12-1 : 6800-SERIES MCU PARALLEL INTERFACE CHARACTERISTICS	55
FIGURE 12-2 : 8080-SERIES MCU PARALLEL INTERFACE CHARACTERISTICS	56
FIGURE 12-3 : SERIAL INTERFACE CHARACTERISTICS (4-WIRE SPI).....	57
FIGURE 12-4: SERIAL INTERFACE CHARACTERISTICS (3-WIRE SPI)	58
FIGURE 12-5: I2C INTERFACE TIMING CHARACTERISTICS.....	59
FIGURE 13-1 : SSD1362Z APPLICATION EXAMPLE FOR 8-BIT 6800-PARALLEL INTERFACE MODE (INTERNAL REGULATED V_{DD})	60
FIGURE 14-1: SSD1362Z DIE TRAY DRAWING	61

1 GENERAL DESCRIPTION

SSD1362 is a single-chip CMOS OLED/PLED driver with controller for organic/polymer light emitting diode dot-matrix graphic display. It consists of 256 segments and 64 commons. This IC is designed for Common Cathode type OLED/PLED panel.

SSD1362 displays data directly from its internal 256 x 64 x 4 bits Graphic Display Data RAM (GDDRAM). Data/Commands are sent from general MCU through the hardware selectable I²C Interface, 6800-/8080-series compatible Parallel Interface or Serial Peripheral Interface.

The 256 steps contrast control and oscillator which embedded in SSD1362 reduces the number of external components. SSD1362 is suitable for portable applications requiring a compact size and high output brightness, such as set-top box, car audio, wearable electronics, etc.

2 FEATURES

- Resolution: 256 x 64 dot matrix panel
- Power supply:
 - V_{CC} = 10.0V – 20.0V (Panel driving power supply)
 - V_{DDIO} = 1.65V – V_{CI} (MCU interface logic level)
 - V_{CI} = 1.65V - 3.5V (Low voltage power supply)
 - V_{DD} = 1.65V – 2.6V (Core V_{DD} power supply)
 - When V_{CI} is lower than 2.6V, V_{DD} should be tied to V_{CI} and supplied by external power source
 - When V_{CI} is higher than 2.6V, V_{DD} is internally regulated and a stabilizing capacitor is needed
- Programmable Frame Rate and Multiplexing Ratio
- On-Chip Oscillator
- For matrix display
 - Segment maximum source current: 600uA
 - Common maximum sink current: 128mA
 - 256 step contrast brightness current control, 16 step master current control
 - 16 gray scale level supported by embedded 256 x 64 x 4 bit SRAM display buffer
 - 8 bit programmable Gray Scale Look Up Table
 - Hardware selectable MCU Interfaces:
 - 8-bit 6800/8080-series parallel interface
 - 3 /4 wire Serial Peripheral Interface
 - I²C Interface (Up to 400kbit/s)
 - Power on reset (POR)
 - Internal I_{REF} or external I_{REF}
 - Row Re-mapping and Column Re-mapping
 - Wide range of operating temperatures: -40°C to 85°C

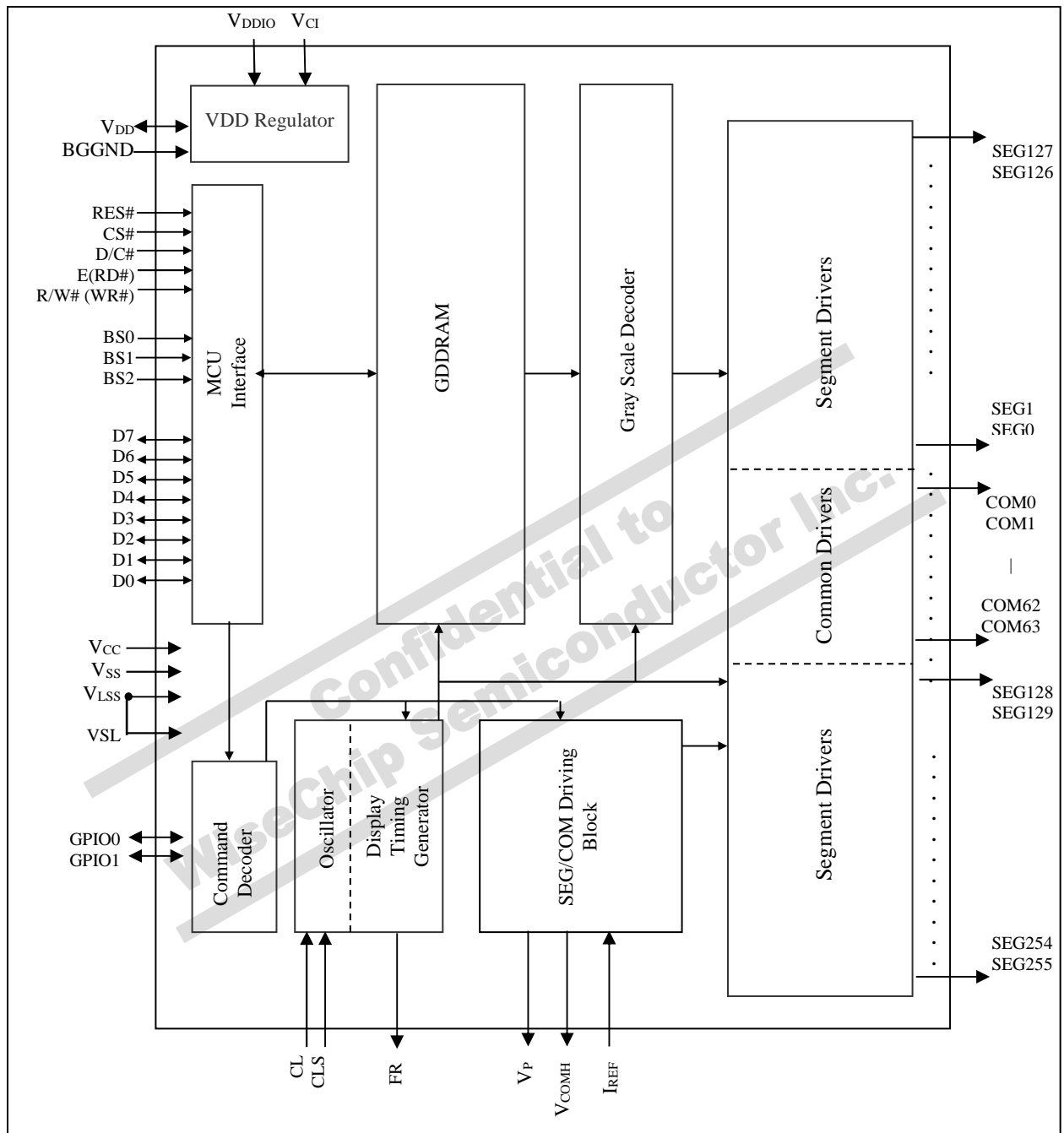
3 ORDERING INFORMATION

Table 3-1: Ordering Information

Ordering Part Number	SEG	COM	Package Form	Reference	Remark
SSD1362Z	256	64	COG	Page 9	<ul style="list-style-type: none"> ○ Min SEG pad pitch : 27um ○ Min COM pad pitch : 45um ○ Min I/O pad pitch : 60um ○ Die thickness: 250um ○ Bump height: nominal 9um

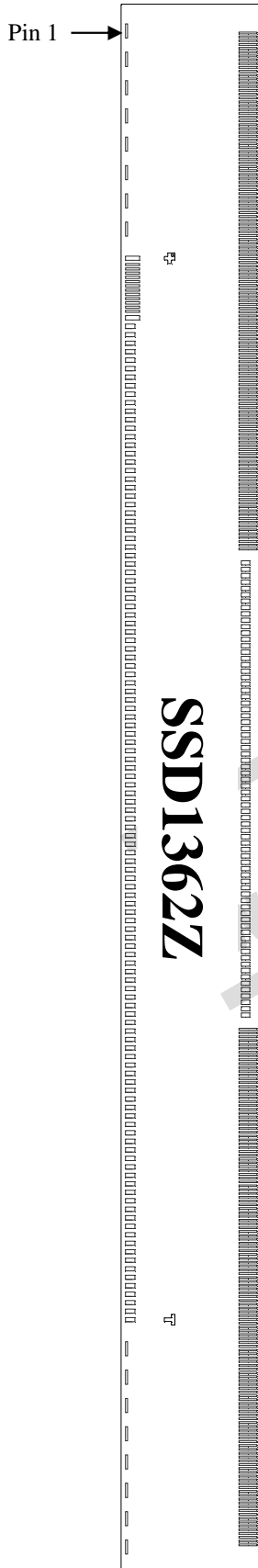
4 BLOCK DIAGRAM

Figure 4-1: SSD1362 Block Diagram



5 DIE PAD FLOOR PLAN

Figure 5-1 – SSD1362Z Die drawing



Die size	11.09 mm +/- 0.05mm x 0.98 mm +/- 0.05mm
Die thickness	250 +/- 15um
Min I/O pad pitch	60um
Min SEG pad pitch	27um
Min COM pad pitch	45um
Bump height	Nominal 9 um

Bump size		
Pad#	X[um]	Y[um]
1-8, 141-148	100	15
9, 22	30	100
10-21	15	100
23-140	30	67
149-284, 357-492	12	125
285-356	30	60

Alignment mark	Position	Size
+ shape	(-3750, -150)	75um x 75um
T shape	(3750, -150)	75um x 75um
SSL Logo	(-3568.5, -144.35)	-

(For details dimension please see Figure 5-2)

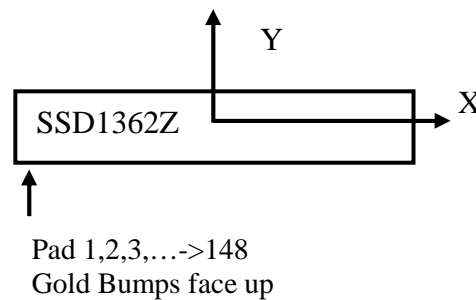


Figure 5-2: SSD1362Z alignment mark dimension

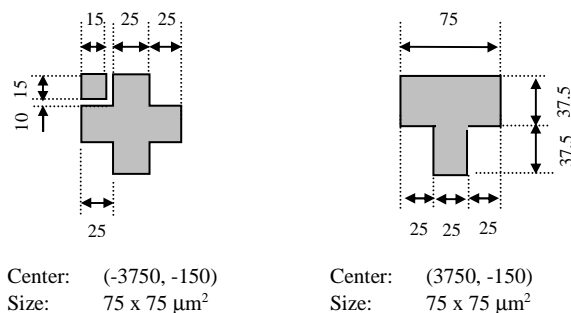


Table 5-1 : SSD1362 Bump Die Pad Coordinates

Pin number	Pin name	X	Y
1	V20	-5356	-452.5
2	V20	-5156	-452.5
3	V20	-4956	-452.5
4	V20	-4756	-452.5
5	V20	-4556	-452.5
6	V20	-4356	-452.5
7	V20	-4156	-452.5
8	V20	-3956	-452.5
9	NC	-3750	-410
10	TR0	-3705	-410
11	TR1	-3675	-410
12	TR2	-3645	-410
13	TR3	-3615	-410
14	TR4	-3585	-410
15	TR5	-3555	-410
16	VSS	-3525	-410
17	TR6	-3495	-410
18	TR7	-3465	-410
19	TR8	-3435	-410
20	TR9	-3405	-410
21	TR10	-3375	-410
22	NC	-3330	-410
23	VCC	-3270	-426.5
24	VCC	-3210	-426.5
25	VCC	-3150	-426.5
26	VCC	-3090	-426.5
27	VCC	-3030	-426.5
28	VCC	-2970	-426.5
29	VCOMH	-2910	-426.5
30	VCOMH	-2850	-426.5
31	VCOMH	-2790	-426.5
32	VCOMH	-2730	-426.5
33	VCOMH	-2670	-426.5
34	VCOMH	-2610	-426.5
35	VP	-2550	-426.5
36	VP	-2490	-426.5
37	VP	-2430	-426.5
38	VP	-2370	-426.5
39	VP	-2310	-426.5
40	NC	-2250	-426.5
41	VSL	-2190	-426.5
42	VSL	-2130	-426.5
43	VSL	-2070	-426.5
44	VLSS	-2010	-426.5
45	VLSS	-1950	-426.5
46	VLSS	-1890	-426.5
47	VLSS	-1830	-426.5
48	VLSS	-1770	-426.5
49	VLSS	-1710	-426.5
50	VSS	-1650	-426.5
51	VSS	-1590	-426.5
52	VSS	-1530	-426.5
53	VSS	-1470	-426.5
54	BGGND	-1410	-426.5
55	VDD	-1350	-426.5
56	VDD	-1290	-426.5
57	VDD	-1230	-426.5
58	VCI	-1170	-426.5
59	VCI	-1110	-426.5
60	VCI	-1050	-426.5
61	VDDIO	-990	-426.5
62	VDDIO	-930	-426.5
63	VDDIO	-870	-426.5
64	FR	-810	-426.5
65	VLL	-750	-426.5
66	CS#	-690	-426.5
67	RES#	-630	-426.5
68	D/C#	-570	-426.5
69	VLL	-510	-426.5
70	R/W# (WR#)	-450	-426.5
71	E (RD#)	-390	-426.5
72	D0	-330	-426.5
73	D1	-270	-426.5
74	D2	-210	-426.5
75	D3	-150	-426.5
76	VLL	-90	-426.5
77	D4	-30	-426.5
78	D5	30	-426.5
79	D6	90	-426.5
80	D7	150	-426.5

Pin number	Pin name	X	Y
81	CL	210	-426.5
82	VLL	270	-426.5
83	CLS	330	-426.5
84	VLH	390	-426.5
85	BS0	450	-426.5
86	VLL	510	-426.5
87	BS1	570	-426.5
88	VLH	630	-426.5
89	BS2	690	-426.5
90	VLL	750	-426.5
91	BGGND	810	-426.5
92	VSS	870	-426.5
93	VSS	930	-426.5
94	VSS	990	-426.5
95	VSS	1050	-426.5
96	VLSS	1110	-426.5
97	VLSS	1170	-426.5
98	VLSS	1230	-426.5
99	VLSS	1290	-426.5
100	VLSS	1350	-426.5
101	VLSS	1410	-426.5
102	VSL	1470	-426.5
103	VSL	1530	-426.5
104	VSL	1590	-426.5
105	VBREF	1650	-426.5
106	VSS	1710	-426.5
107	VSS	1770	-426.5
108	GPI00	1830	-426.5
109	GPI01	1890	-426.5
110	VDDIO	1950	-426.5
111	VDDIO	2010	-426.5
112	VCI	2070	-426.5
113	VCI	2130	-426.5
114	VDD	2190	-426.5
115	VDD	2250	-426.5
116	NC	2310	-426.5
117	IREF	2370	-426.5
118	VP	2430	-426.5
119	VP	2490	-426.5
120	VP	2550	-426.5
121	VP	2610	-426.5
122	VP	2670	-426.5
123	VP	2730	-426.5
124	VCOMH	2790	-426.5
125	VCOMH	2850	-426.5
126	VCOMH	2910	-426.5
127	VCOMH	2970	-426.5
128	VCOMH	3030	-426.5
129	VCOMH	3090	-426.5
130	VCC	3150	-426.5
131	VCC	3210	-426.5
132	VCC	3270	-426.5
133	VCC	3330	-426.5
134	VCC	3390	-426.5
135	VCC	3450	-426.5
136	VCC1	3510	-426.5
137	NC	3570	-426.5
138	T0	3630	-426.5
139	T1	3690	-426.5
140	NC	3750	-426.5
141	V20	3956	-452.5
142	V20	4156	-452.5
143	V20	4356	-452.5
144	V20	4556	-452.5
145	V20	4756	-452.5
146	V20	4956	-452.5
147	V20	5156	-452.5
148	V20	5356	-452.5
149	NC	5341.5	399.5
150	NC	5314.5	399.5
151	SEG127	5287.5	399.5
152	SEG126	5260.5	399.5
153	SEG125	5233.5	399.5
154	SEG124	5206.5	399.5
155	SEG123	5179.5	399.5
156	SEG122	5152.5	399.5
157	SEG121	5125.5	399.5
158	SEG120	5098.5	399.5
159	SEG119	5071.5	399.5
160	SEG118	5044.5	399.5

Pin number	Pin name	X	Y
161	SEG117	5017.5	399.5
162	SEG116	4990.5	399.5
163	SEG115	4963.5	399.5
164	SEG114	4936.5	399.5
165	SEG113	4909.5	399.5
166	SEG112	4882.5	399.5
167	SEG111	4855.5	399.5
168	SEG110	4828.5	399.5
169	SEG109	4801.5	399.5
170	SEG108	4774.5	399.5
171	SEG107	4747.5	399.5
172	SEG106	4720.5	399.5
173	SEG105	4693.5	399.5
174	SEG104	4666.5	399.5
175	SEG103	4639.5	399.5
176	SEG102	4612.5	399.5
177	SEG101	4585.5	399.5
178	SEG100	4558.5	399.5
179	SEG99	4531.5	399.5
180	SEG98	4504.5	399.5
181	SEG97	4477.5	399.5
182	SEG96	4450.5	399.5
183	SEG95	4423.5	399.5
184	SEG94	4396.5	399.5
185	SEG93	4369.5	399.5
186	SEG92	4342.5	399.5
187	SEG91	4315.5	399.5
188	SEG90	4288.5	399.5
189	SEG89	4261.5	399.5
190	SEG88	4234.5	399.5
191	SEG87	4207.5	399.5
192	SEG86	4180.5	399.5
193	SEG85	4153.5	399.5
194	SEG84	4126.5	399.5
195	SEG83	4099.5	399.5
196	SEG82	4072.5	399.5
197	SEG81	4045.5	399.5
198	SEG80	4018.5	399.5
199	SEG79	3991.5	399.5
200	SEG78	3964.5	399.5
201	SEG77	3937.5	399.5
202	SEG76	3910.5	399.5
203	SEG75	3883.5	399.5
204	SEG74	3856.5	399.5
205	SEG73	3829.5	399.5
206	SEG72	3802.5	399.5
207	SEG71	3775.5	399.5
208	SEG70	3748.5	399.5
209	SEG69	3721.5	399.5
210	SEG68	3694.5	399.5
211	SEG67	3667.5	399.5
212	SEG66	3640.5	399.5
213	SEG65	3613.5	399.5
214	SEG64	3586.5	399.5
215	SEG63	3559.5	399.5
216	SEG62	3532.5	399.5
217	SEG61	3505.5	399.5
218	SEG60	3478.5	399.5
219	SEG59	3451.5	399.5
220	SEG58	3424.5	399.5
221	SEG57	3397.5	399.5
222	SEG56	3370.5	399.5
223	SEG55	3343.5	399.5
224	SEG54	3316.5	399.5
225	SEG53	3289.5	399.5
226	SEG52	3262.5	399.5
227	SEG51	3235.5	399.5
228	SEG50	3208.5	399.5
229	SEG49	3181.5	399.5
230	SEG48	3154.5	399.5
231	SEG47	3127.5	399.5
232	SEG46	3100.5	399.5
233	SEG45	3073.5	399.5
234	SEG44	3046.5	399.5
235	SEG43	3019.5	399.5
236	SEG42	2992.5	399.5
237	SEG41	2965.5	399.5
238	SEG40	2938.5	399.5
239	SEG39	2911.5	399.5
240	SEG38	2884.5	399.5

Pin number	Pin name	X	Y
241	SEG37	2857.5	399.5
242	SEG36	2830.5	399.5
243	SEG35	2803.5	399.5
244	SEG34	2776.5	399.5
245	SEG33	2749.5	399.5
246	SEG32	2722.5	399.5
247	SEG31	2695.5	399.5
248	SEG30	2668.5	399.5
249	SEG29	2641.5	399.5
250	SEG28	2614.5	399.5
251	SEG27	2587.5	399.5
252	SEG26	2560.5	399.5
253	SEG25	2533.5	399.5
254	SEG24	2506.5	399.5
255	SEG23	2479.5	399.5
256	SEG22	2452.5	399.5
257	SEG21	2425.5	399.5
258	SEG20	2398.5	399.5
259	SEG19	2371.5	399.5
260	SEG18	2344.5	399.5
261	SEG17	2317.5	399.5
262	SEG16	2290.5	399.5
263	SEG15	2263.5	399.5
264	SEG14	2236.5	399.5
265	SEG13	2209.5	399.5
266	SEG12	2182.5	399.5
267	SEG11	2155.5	399.5
268	SEG10	2128.5	399.5
269	SEG9	2101.5	399.5
270	SEG8	2074.5	399.5
271	SEG7	2047.5	399.5
272	SEG6	2020.5	399.5
273	SEG5	1993.5	399.5
274	SEG4	1966.5	399.5
275	SEG3	1939.5	399.5
276	SEG2	1912.5	399.5
277	SEG1	1885.5	399.5
278	SEG0	1858.5	399.5
279	VCC	1831.5	399.5
280	VCC	1804.5	399.5
281	VCC	1777.5	399.5
282	VCC	1750.5	399.5
283	VCC	1723.5	399.5
284	VCC	1696.5	399.5
285	VCOMH	1597.5	383.21
286	VCOMH	1552.5	383.21
287	VCOMH	1507.5	383.21
288	VCOMH	1462.5	383.21
289	COM0	1417.5	383.21
290	COM1	1372.5	383.21
291	COM2	1327.5	383.21
292	COM3	1282.5	383.21
293	COM4	1237.5	383.21
294	COM5	1192.5	383.21
295	COM6	1147.5	383.21
296	COM7	1102.5	383.21
297	COM8	1057.5	383.21
298	COM9	1012.5	383.21
299	COM10	967.5	383.21
300	COM11	922.5	383.21
301	COM12	877.5	383.21
302	COM13		

Pin number	Pin name	X	Y
321	COM32	-22.5	383.21
322	COM33	-67.5	383.21
323	COM34	-112.5	383.21
324	COM35	-157.5	383.21
325	COM36	-202.5	383.21
326	COM37	-247.5	383.21
327	COM38	-292.5	383.21
328	COM39	-337.5	383.21
329	COM40	-382.5	383.21
330	COM41	-427.5	383.21
331	COM42	-472.5	383.21
332	COM43	-517.5	383.21
333	COM44	-562.5	383.21
334	COM45	-607.5	383.21
335	COM46	-652.5	383.21
336	COM47	-697.5	383.21
337	COM48	-742.5	383.21
338	COM49	-787.5	383.21
339	COM50	-832.5	383.21
340	COM51	-877.5	383.21
341	COM52	-922.5	383.21
342	COM53	-967.5	383.21
343	COM54	-1012.5	383.21
344	COM55	-1057.5	383.21
345	COM56	-1102.5	383.21
346	COM57	-1147.5	383.21
347	COM58	-1192.5	383.21
348	COM59	-1237.5	383.21
349	COM60	-1282.5	383.21
350	COM61	-1327.5	383.21
351	COM62	-1372.5	383.21
352	COM63	-1417.5	383.21
353	VCOMH	-1462.5	383.21
354	VCOMH	-1507.5	383.21
355	VCOMH	-1552.5	383.21
356	VCOMH	-1597.5	383.21
357	VCC	-1696.5	399.5
358	VCC	-1723.5	399.5
359	VCC	-1750.5	399.5
360	VCC	-1777.5	399.5
361	VCC	-1804.5	399.5
362	VCC	-1831.5	399.5
363	SEG128	-1858.5	399.5
364	SEG129	-1885.5	399.5
365	SEG130	-1912.5	399.5
366	SEG131	-1939.5	399.5
367	SEG132	-1966.5	399.5
368	SEG133	-1993.5	399.5
369	SEG134	-2020.5	399.5
370	SEG135	-2047.5	399.5
371	SEG136	-2074.5	399.5
372	SEG137	-2101.5	399.5
373	SEG138	-2128.5	399.5
374	SEG139	-2155.5	399.5
375	SEG140	-2182.5	399.5
376	SEG141	-2209.5	399.5
377	SEG142	-2236.5	399.5
378	SEG143	-2263.5	399.5
379	SEG144	-2290.5	399.5
380	SEG145	-2317.5	399.5
381	SEG146	-2344.5	399.5
382	SEG147	-2371.5	399.5
383	SEG148	-2398.5	399.5
384	SEG149	-2425.5	399.5
385	SEG150	-2452.5	399.5
386	SEG151	-2479.5	399.5
387	SEG152	-2506.5	399.5
388	SEG153	-2533.5	399.5
389	SEG154	-2560.5	399.5
390	SEG155	-2587.5	399.5
391	SEG156	-2614.5	399.5
392	SEG157	-2641.5	399.5
393	SEG158	-2668.5	399.5
394	SEG159	-2695.5	399.5
395	SEG160	-2722.5	399.5
396	SEG161	-2749.5	399.5
397	SEG162	-2776.5	399.5
398	SEG163	-2803.5	399.5
399	SEG164	-2830.5	399.5
400	SEG165	-2857.5	399.5

Pin number	Pin name	X	Y
401	SEG166	-2884.5	399.5
402	SEG167	-2911.5	399.5
403	SEG168	-2938.5	399.5
404	SEG169	-2965.5	399.5
405	SEG170	-2992.5	399.5
406	SEG171	-3019.5	399.5
407	SEG172	-3046.5	399.5
408	SEG173	-3073.5	399.5
409	SEG174	-3100.5	399.5
410	SEG175	-3127.5	399.5
411	SEG176	-3154.5	399.5
412	SEG177	-3181.5	399.5
413	SEG178	-3208.5	399.5
414	SEG179	-3235.5	399.5
415	SEG180	-3262.5	399.5
416	SEG181	-3289.5	399.5
417	SEG182	-3316.5	399.5
418	SEG183	-3343.5	399.5
419	SEG184	-3370.5	399.5
420	SEG185	-3397.5	399.5
421	SEG186	-3424.5	399.5
422	SEG187	-3451.5	399.5
423	SEG188	-3478.5	399.5
424	SEG189	-3505.5	399.5
425	SEG190	-3532.5	399.5
426	SEG191	-3559.5	399.5
427	SEG192	-3586.5	399.5
428	SEG193	-3613.5	399.5
429	SEG194	-3640.5	399.5
430	SEG195	-3667.5	399.5
431	SEG196	-3694.5	399.5
432	SEG197	-3721.5	399.5
433	SEG198	-3748.5	399.5
434	SEG199	-3775.5	399.5
435	SEG200	-3802.5	399.5
436	SEG201	-3829.5	399.5
437	SEG202	-3856.5	399.5
438	SEG203	-3883.5	399.5
439	SEG204	-3910.5	399.5
440	SEG205	-3937.5	399.5
441	SEG206	-3964.5	399.5
442	SEG207	-3991.5	399.5
443	SEG208	-4018.5	399.5
444	SEG209	-4045.5	399.5
445	SEG210	-4072.5	399.5
446	SEG211	-4099.5	399.5
447	SEG212	-4126.5	399.5
448	SEG213	-4153.5	399.5
449	SEG214	-4180.5	399.5
450	SEG215	-4207.5	399.5
451	SEG216	-4234.5	399.5
452	SEG217	-4261.5	399.5
453	SEG218	-4288.5	399.5
454	SEG219	-4315.5	399.5
455	SEG220	-4342.5	399.5
456	SEG221	-4369.5	399.5
457	SEG222	-4396.5	399.5
458	SEG223	-4423.5	399.5
459	SEG224	-4450.5	399.5
460	SEG225	-4477.5	399.5
461	SEG226	-4504.5	399.5
462	SEG227	-4531.5	399.5
463	SEG228	-4558.5	399.5
464	SEG229	-4585.5	399.5
465	SEG230	-4612.5	399.5
466	SEG231	-4639.5	399.5
467	SEG232	-4666.5	399.5
468	SEG233	-4693.5	399.5
469	SEG234	-4720.5	399.5
470	SEG235	-4747.5	399.5
471	SEG236	-4774.5	399.5
472	SEG237	-4801.5	399.5
473	SEG238	-4828.5	399.5
474	SEG239	-4855.5	399.5
475	SEG240	-4882.5	399.5
476	SEG241	-4909.5	399.5
477	SEG242	-4936.5	399.5
478	SEG243	-4963.5	399.5
479	SEG244	-4990.5	399.5
480	SEG245	-5017.5	399.5

Pin number	Pin name	X	Y
481	SEG246	-5044.5	399.5
482	SEG247	-5071.5	399.5
483	SEG248	-5098.5	399.5
484	SEG249	-5125.5	399.5
485	SEG250	-5152.5	399.5
486	SEG251	-5179.5	399.5
487	SEG252	-5206.5	399.5
488	SEG253	-5233.5	399.5
489	SEG254	-5260.5	399.5
490	SEG255	-5287.5	399.5
491	NC	-5314.5	399.5
492	NC	-5341.5	399.5

Confidential to
Semiconductor Inc.

6 PIN DESCRIPTIONS

Key:

I = Input	NC = Not Connected
O = Output	Pull LOW= connect to Ground
I/O = Bi-directional (input/output)	Pull HIGH= connect to V_{DDIO}
P = Power pin	

Table 6-1 : SSD1362 Pin Description

Pin Name	Pin Type	Description
V_{DD}	P	Power supply for core logic operation. V_{DD} can be supplied externally (within the range of 1.65V to 2.6V) or regulated internally from V_{CI} when V_{CI} is $>2.6V$. A capacitor should be connected between V_{DD} and V_{SS} under all circumstances.
V_{DDIO}	P	Power supply for interface logic level. It should match with the MCU interface voltage level and must be connected to external source.
V_{CI}	P	Low voltage power supply. V_{CI} must always be equal to or higher than V_{DD} and V_{DDIO} .
V_{CC}	P	Power supply for panel driving voltage. This is also the most positive power voltage supply pin. It is supplied by external high voltage source.
V_{CC1}	P	Clean power supply for high voltage circuit. It must be connected to V_{CC} externally.
V_{SS}	P	Ground pin. It must be connected to external ground.
V_{LSS}	P	Analog system ground pin. It must be connected to external ground.
BGGND	P	Reserved pin. It should be connected to ground.
V_{LH}	P	Logic high (same voltage level as V_{DDIO}) for internal connection of input and I/O pins. No need to connect to external power source.
V_{LL}	P	Logic low (same voltage level as V_{SS}) for internal connection of input and I/O pins. No need to connect to external ground.
V_{COMH}	P	COM signal deselected voltage level. A capacitor should be connected between this pin and V_{SS} . No external power supply is allowed to connect to this pin.
V_P	P	This pin is the segment pre-charge voltage reference pin. A capacitor should be connected between this pin and V_{SS} . No external power supply is allowed to connect to this pin.
I_{REF}	I	This pin is the segment output current reference pin. When external I_{REF} is used, a resistor should be connected between this pin and V_{SS} to maintain current of around 18.75uA. Please refer to section 7.6 for the formula of resistor value. When internal I_{REF} is used, this pin should be kept NC.

Pin Name	Pin Type	Description												
V ₂₀	P	This is a reserved pin. It should be kept NC.												
GPIO0	I/O	This is a reserved pin. It should be kept NC.												
GPIO1	I/O	This is a reserved pin. It should be kept NC.												
BS[2:0]	I	<p>MCU bus interface selection pins. Select appropriate logic setting as described in the following table. BS2 and BS1, BS0 are pin select.</p> <p style="text-align: center;">Table 6-2 : Bus Interface selection</p> <table border="1" style="margin-left: auto; margin-right: auto;"> <thead> <tr> <th>BS[2:0]</th> <th>Interface</th> </tr> </thead> <tbody> <tr> <td>000</td> <td>4 line SPI</td> </tr> <tr> <td>001</td> <td>3 line SPI</td> </tr> <tr> <td>110</td> <td>8-bit 8080 parallel</td> </tr> <tr> <td>100</td> <td>8-bit 6800 parallel</td> </tr> <tr> <td>010</td> <td>I²C</td> </tr> </tbody> </table> <p>Note ⁽¹⁾ 0 is connected to V_{SS} ⁽²⁾ 1 is connected to V_{DDIO}</p>	BS[2:0]	Interface	000	4 line SPI	001	3 line SPI	110	8-bit 8080 parallel	100	8-bit 6800 parallel	010	I ² C
BS[2:0]	Interface													
000	4 line SPI													
001	3 line SPI													
110	8-bit 8080 parallel													
100	8-bit 6800 parallel													
010	I ² C													
VSL	P	This is a reserved pin. It should be connected to V _{LSS} externally.												
CL	I	<p>External clock input pin.</p> <p>When internal clock is enable (i.e. pull HIGH in CLS pin), this pin is not used and should be connected to Ground.</p> <p>When internal clock is disable (i.e. pull LOW in CLS pin), this pin is the external clock source input pin.</p>												
CLS	I	<p>Internal clock selection pin.</p> <p>When this pin is pulled HIGH, internal oscillator is enabled (normal operation). When this pin is pulled LOW, an external clock signal should be connected to CL.</p>												
CS#	I	<p>This pin is the chip select input connecting to the MCU.</p> <p>The chip is enabled for MCU communication only when CS# is pulled LOW (active LOW).</p> <p>In I²C mode, this pin must be connected to V_{SS}.</p>												
RES#	I	<p>This pin is reset signal input.</p> <p>When the pin is pulled LOW, initialization of the chip is executed. Keep this pin pull HIGH during normal operation.</p>												
D/C#	I	<p>This pin is Data/Command control pin connecting to the MCU.</p> <p>When the pin is pulled HIGH, the data at D[7:0] will be interpreted as data. When the pin is pulled LOW, the data at D[7:0] will be transferred to a command register.</p> <p>In I²C mode, this pin acts as SA0 for slave address selection. When 3-wire serial interface is selected, this pin must be connected to V_{SS}.</p>												

Pin Name	Pin Type	Description
R/W# (WR#)	I	<p>This pin is read / write control input pin connecting to the MCU interface.</p> <p>When 6800 interface mode is selected, this pin will be used as Read/Write (R/W#) selection input. Read mode will be carried out when this pin is pulled HIGH and write mode when LOW.</p> <p>When 8080 interface mode is selected, this pin will be the Write (WR#) input. Data write operation is initiated when this pin is pulled LOW and the chip is selected.</p> <p>When serial or I²C interface is selected, this pin must be connected to V_{SS}.</p>
E (RD#)	I	<p>This pin is MCU interface input.</p> <p>When 6800 interface mode is selected, this pin will be used as the Enable (E) signal. Read/write operation is initiated when this pin is pulled HIGH and the chip is selected.</p> <p>When 8080 interface mode is selected, this pin receives the Read (RD#) signal. Read operation is initiated when this pin is pulled LOW and the chip is selected.</p> <p>When serial or I²C interface is selected, this pin must be connected to V_{SS}.</p>
D[7:0]	I/O	<p>These pins are bi-directional data bus connecting to the MCU data bus. Unused pins are recommended to tie LOW.</p> <p>When serial interface mode is selected, D0 will be the serial clock input: SCLK; D1 will be the serial data input: SID.</p> <p>When I²C mode is selected, D2, D1 should be tied together and serve as SDA_{out}, SDA_{in} in application and D0 is the serial clock input, SCL.</p>
T0	I/O	This is a reserved pin. It should be kept NC.
T1	I/O	This is a reserved pin. It should be kept NC.
FR	O	<p>This pin outputs RAM write synchronization signal. Proper timing between MCU data writing and frame display timing can be achieved to prevent tearing effect. It should be kept NC if it is not used.</p> <p>Refer to Section 7.4 for details.</p>
VBREF	O	This is a reserved pin. It should be kept NC.
SEG0 ~ SEG255	O	These pins provide the OLED segment driving signals. These pins are V _{SS} state when display is OFF.
COM0 ~ COM63	O	These pins provide the Common switch signals to the OLED panel. These pins are in high impedance state when display is OFF.
TR0~TR10	I/O	These pins are reserved. Nothing should be connected to these pins, nor are they connected together.
NC	-	These pins are reserved. Nothing should be connected to these pins, nor are they connected together.

7 FUNCTIONAL BLOCK DESCRIPTIONS

7.1 MCU Interface selection

SSD1362 has four kinds of interface type with MCU: I²C, 3-wire or 4-wire SPI, 8-bit 6800 parallel and 8-bit 8080 parallel bus. Different MCU modes can be set by hardware selection on BS[2:0] pins; refer to Table 6-2 for BS[2:0] setting. This chip MCU interface consists of 8 data pins and 5 control pins. The pin assignment at different interface mode is summarized in Table 7-1.

Table 7-1 : MCU interface assignment under different bus interface mode

Bus Interface	Data/Command Interface								Control Signal				
	D7	D6	D5	D4	D3	D2	D1	D0	E	R/W#	CS#	D/C#	RES#
8-bit 8080	D[7:0]								RD#	WR#	CS#	D/C#	RES#
8-bit 6800	D[7:0]								E	R/W#	CS#	D/C#	RES#
3-wire SPI	Tie LOW						SDIN	SCLK	Tie LOW		CS#	Tie LOW	RES#
4-wire SPI	Tie LOW						SDIN	SCLK	Tie LOW		CS#	D/C#	RES#
I ² C	Tie LOW					SDA _{OUT}	SDA _{IN}	SCL	Tie LOW			SA0	RES#

7.1.1 MCU Parallel 6800-series Interface

The parallel interface consists of 8 bi-directional data pins (D[7:0]), R/W#, D/C#, E and CS#.

A LOW in R/W# indicates WRITE operation and HIGH in R/W# indicates READ operation.

A LOW in D/C# indicates COMMAND read/write and HIGH in D/C# indicates DATA read/write.

The E input serves as data latch signal while CS# is LOW. Data is latched at the falling edge of E signal.

Table 7-2 : Control pins of 6800 interface

Function	E	R/W#	CS#	D/C#
Write command	↓	L	L	L
Read status	↓	H	L	L
Write data	↓	L	L	H
Read data	↓	H	L	H

Note

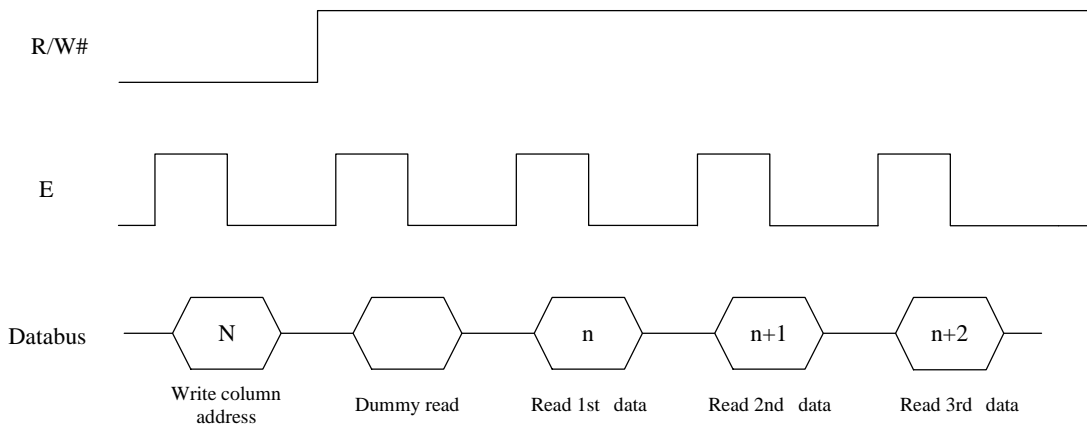
⁽¹⁾ ↓ stands for falling edge of signal

H stands for HIGH in signal

L stands for LOW in signal

In order to match the operating frequency of display RAM with that of the microprocessor, some pipeline processing is internally performed which requires the insertion of a dummy read before the first actual display data read. This is shown in Figure 7-1.

Figure 7-1 : Data read back procedure - insertion of dummy read



7.1.2 MCU Parallel 8080-series Interface

The parallel interface consists of 8 bi-directional data pins (D[7:0]), RD#, WR#, D/C# and CS#.

A LOW in D/C# indicates COMMAND read/write and HIGH in D/C# indicates DATA read/write.

A rising edge of RD# input serves as a data READ latch signal while CS# is kept LOW.

A rising edge of WR# input serves as a data/command WRITE latch signal while CS# is kept LOW.

Figure 7-2 : Example of Write procedure in 8080 parallel interface mode

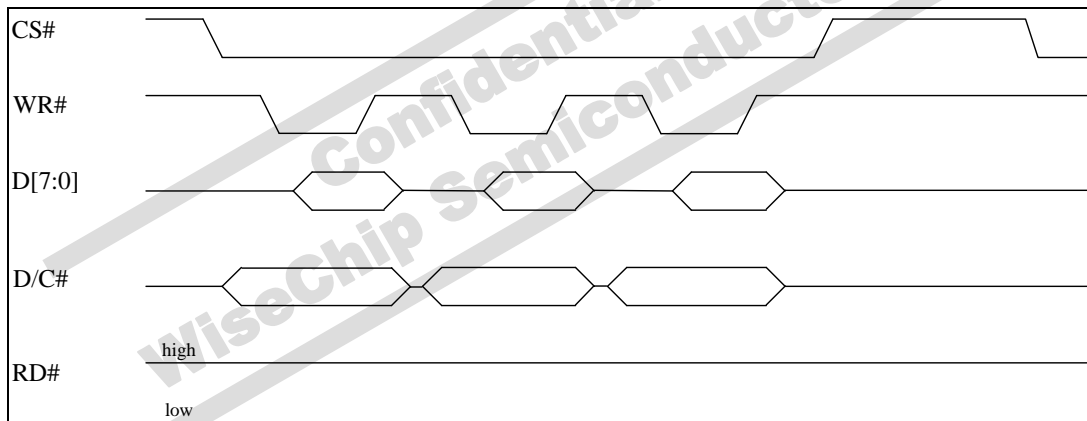


Figure 7-3 : Example of Read procedure in 8080 parallel interface mode

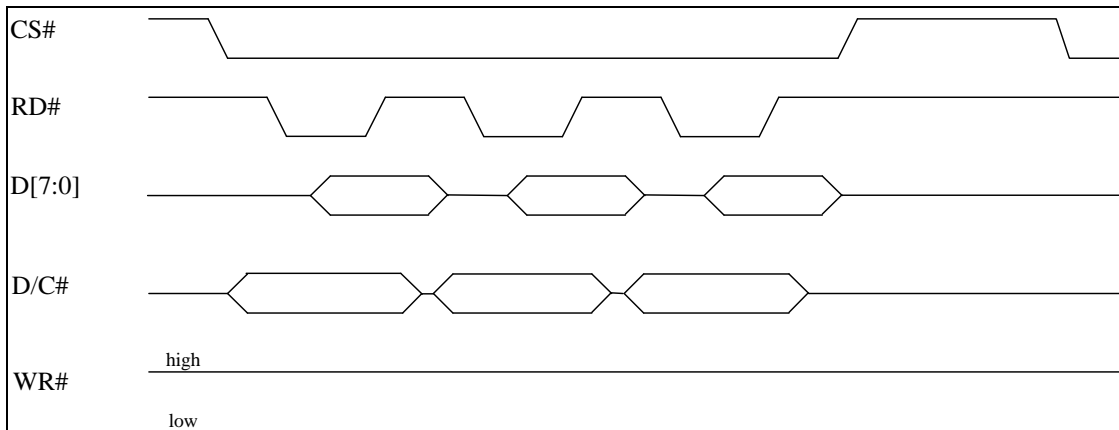


Table 7-3 : Control pins of 8080 interface

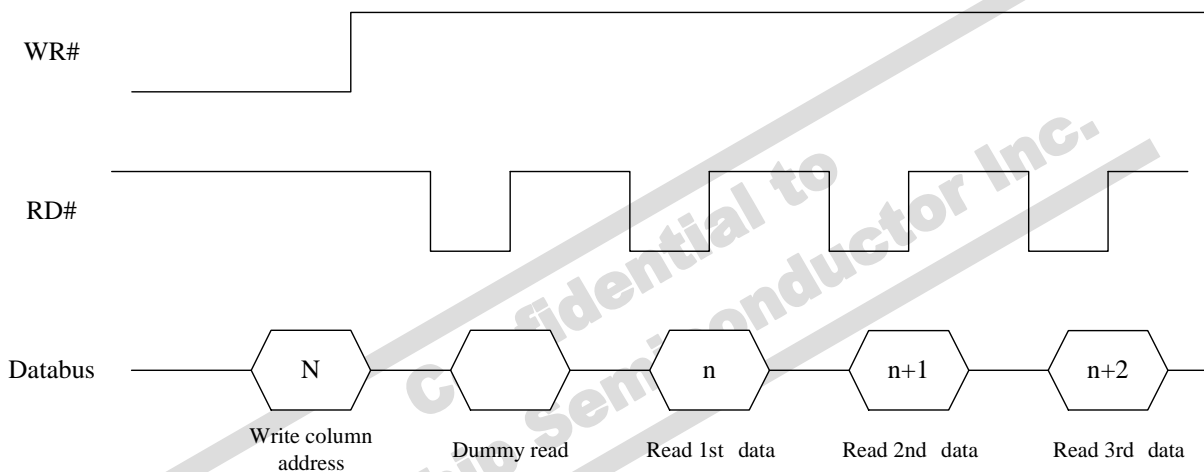
Function	RD#	WR#	CS#	D/C#
Write command	H	↑	L	L
Read status	↑	H	L	L
Write data	H	↑	L	H
Read data	↑	H	L	H

Note

- (1) ↑ stands for rising edge of signal
- (2) H stands for HIGH in signal
- (3) L stands for LOW in signal

In order to match the operating frequency of display RAM with that of the microprocessor, some pipeline processing is internally performed which requires the insertion of a dummy read before the first actual display data read. This is shown in Figure 7-4.

Figure 7-4 : Display data read back procedure - insertion of dummy read



7.1.3 MCU Serial Interface (4-wire SPI)

The serial interface consists of serial clock SCLK, serial data SDIN, D/C#, CS#. In SPI mode, D0 acts as SCLK, D1 acts as SDIN. For the unused data pins from D2 to D7, E and R/W# can be connected to an external ground.

Table 7-4 : Control pins of 4-wire Serial interface

Function	E(RD#)	R/W#(WR#)	CS#	D/C#	D0
Write command	Tie LOW	Tie LOW	L	L	↑
Write data	Tie LOW	Tie LOW	L	H	↑

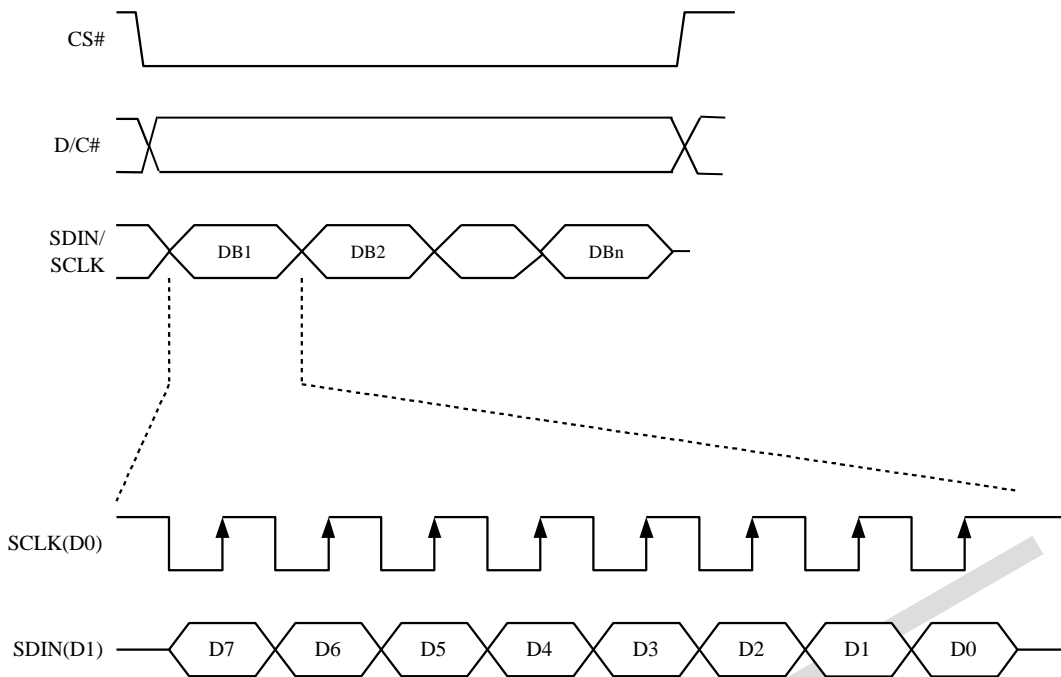
Note

- (1) H stands for HIGH in signal
- (2) L stands for LOW in signal

SDIN is shifted into an 8-bit shift register on every rising edge of SCLK in the order of D7, D6, ... D0. D/C# is sampled on every eighth clock and the data byte in the shift register is written to the Graphic Display Data RAM (GDDRAM) or command register in the same clock.

Under serial mode, only write operations are allowed.

Figure 7-5 : Write procedure in 4-wire Serial interface mode



7.1.4 MCU Serial Interface (3-wire SPI)

The 3-wire serial interface consists of serial clock SCLK, serial data SDIN and CS#.

In 3-wire SPI mode, D0 acts as SCLK, D1 acts as SDIN. For the unused data pins from D3 to D7, R/W# (WR#), E(RD#) and D/C# can be connected to an external ground.

The operation is similar to 4-wire serial interface while D/C# pin is not used. There are altogether 9-bits will be shifted into the shift register on every ninth clock in sequence: D/C# bit, D7 to D0 bit. The D/C# bit (first bit of the sequential data) will determine the following data byte in the shift register is written to the Display Data RAM (D/C# bit = 1) or the command register (D/C# bit = 0). Under serial mode, only write operations are allowed.

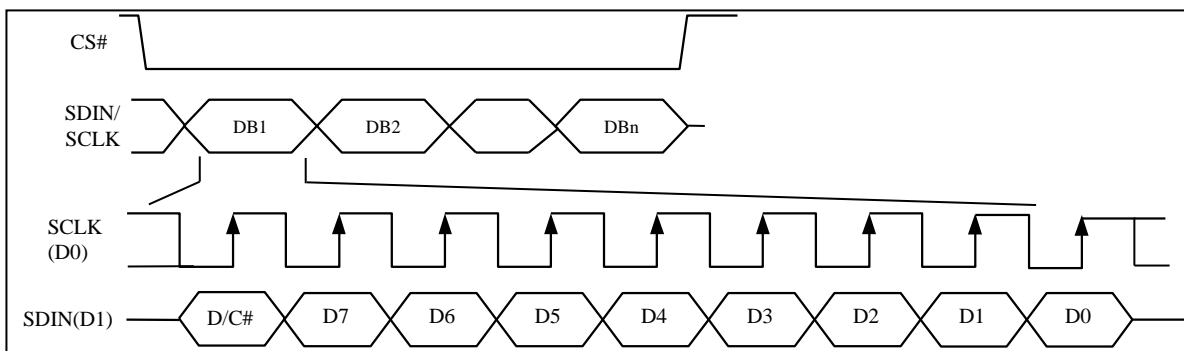
Table 7-5: Control pins of 3-wire Serial interface

Function	E(RD#)	R/W#(WR#)	CS#	D/C#	D0
Write command	Tie LOW	Tie LOW	L	Tie LOW	↑
Write data	Tie LOW	Tie LOW	L	Tie LOW	↑

Note

⁽¹⁾ L stands for LOW in signal

Figure 7-6: Write procedure in 3-wire Serial interface mode



7.1.5 MCU I²C Interface

The I²C communication interface consists of slave address bit SA0, I²C-bus data signal SDA (SDA_{OUT}/D₂ for output and SDA_{IN}/D₁ for input) and I²C-bus clock signal SCL (D₀). Both the data and clock signals must be connected to pull-up resistors. RES# is used for the initialization of device.

a) Slave address bit (SA0)

SSD1362 has to recognize the slave address before transmitting or receiving any information by the I²C-bus. The device will respond to the slave address following by the slave address bit (“SA0” bit) and the read/write select bit (“R/W#” bit) with the following byte format,

b₇ b₆ b₅ b₄ b₃ b₂ b₁ b₀
0 1 1 1 1 0 SA0 R/W#

“SA0” bit provides an extension bit for the slave address. Either “0111100” or “0111101”, can be selected as the slave address of SSD1362. D/C# pin acts as SA0 for slave address selection.

“R/W#” bit is used to determine the operation mode of the I²C-bus interface. R/W#=1, it is in read mode. R/W#=0, it is in write mode.

b) I²C-bus data signal (SDA)

SDA acts as a communication channel between the transmitter and the receiver. The data and the acknowledgement are sent through the SDA.

It should be noticed that the ITO track resistance and the pulled-up resistance at “SDA” pin becomes a voltage potential divider. As a result, the acknowledgement would not be possible to attain a valid logic 0 level in “SDA”.

“SDA_{IN}” and “SDA_{OUT}” are tied together and serve as SDA. The “SDA_{IN}” pin must be connected to act as SDA. The “SDA_{OUT}” pin may be disconnected. When “SDA_{OUT}” pin is disconnected, the acknowledgement signal will be ignored in the I²C-bus.

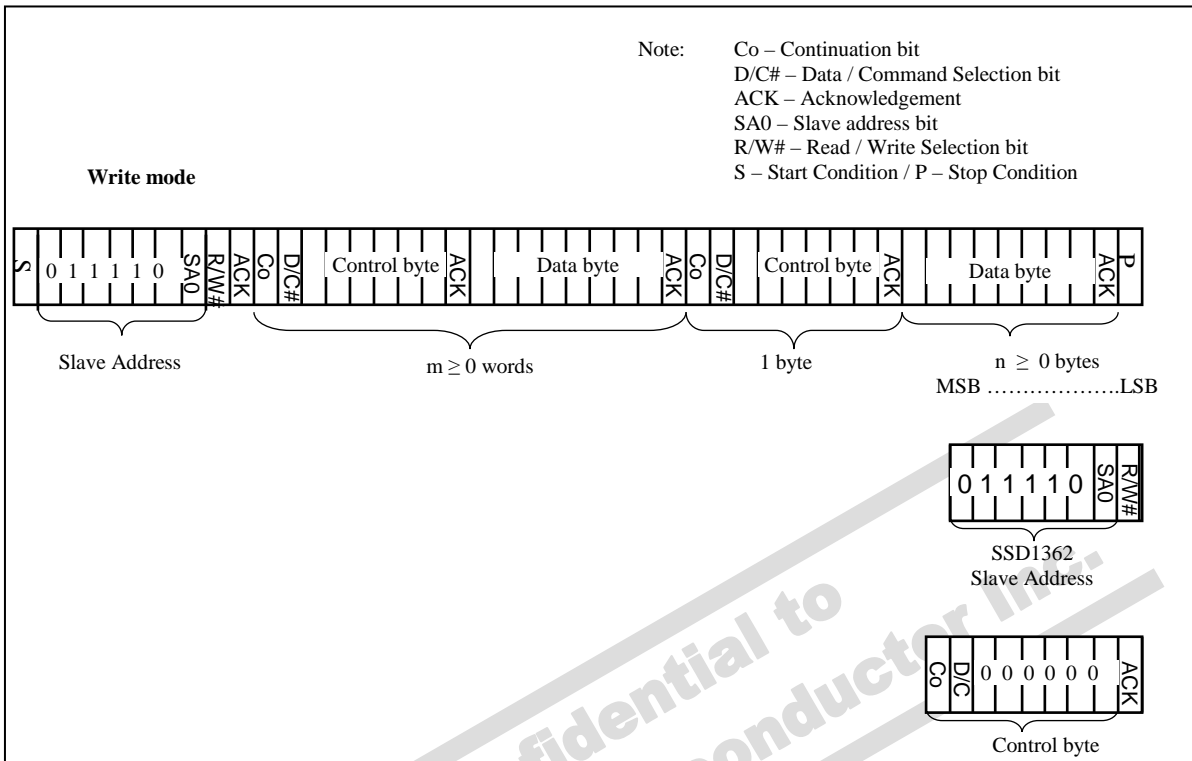
c) I²C-bus clock signal (SCL)

The transmission of information in the I²C-bus is following a clock signal, SCL. Each transmission of data bit is taken place during a single clock period of SCL.

7.1.5.1 I²C-bus Write data

The I²C-bus interface gives access to write data and command into the device. Please refer to Figure 7-7 for the write mode of I²C-bus in chronological order.

Figure 7-7 : I²C-bus data format



7.1.5.2 Write mode for I²C

- 1) The master device initiates the data communication by a start condition. The definition of the start condition is shown in Figure 7-8. The start condition is established by pulling the SDA from HIGH to LOW while the SCL stays HIGH.
- 2) The slave address is following the start condition for recognition use. For the SSD1362, the slave address is either “b0111100” or “b0111101” by changing the SA0 to LOW or HIGH (D/C pin acts as SA0).
- 3) The write mode is established by setting the R/W# bit to logic “0”.
- 4) An acknowledgement signal will be generated after receiving one byte of data, including the slave address and the R/W# bit. Please refer to the Figure 7-9 for the graphical representation of the acknowledge signal. The acknowledge bit is defined as the SDA line is pulled down during the HIGH period of the acknowledgement related clock pulse.
- 5) After the transmission of the slave address, either the control byte or the data byte may be sent across the SDA. A control byte mainly consists of Co and D/C# bits following by six “0”s.
 - a. If the Co bit is set as logic “0”, the transmission of the following information will contain data bytes only.
 - b. The D/C# bit determines the next data byte is acted as a command or a data. If the D/C# bit is set to logic “0”, it defines the following data byte as a command. If the D/C# bit is set to logic “1”, it defines the following data byte as a data which will be stored at the GDDRAM. The GDDRAM column address pointer will be increased by one automatically after each data write.
- 6) Acknowledge bit will be generated after receiving each control byte or data byte.
- 7) The write mode will be finished when a stop condition is applied. The stop condition is also defined in Figure 7-8. The stop condition is established by pulling the “SDA in” from LOW to HIGH while the “SCL” stays HIGH.

Figure 7-8 : Definition of the Start and Stop Condition

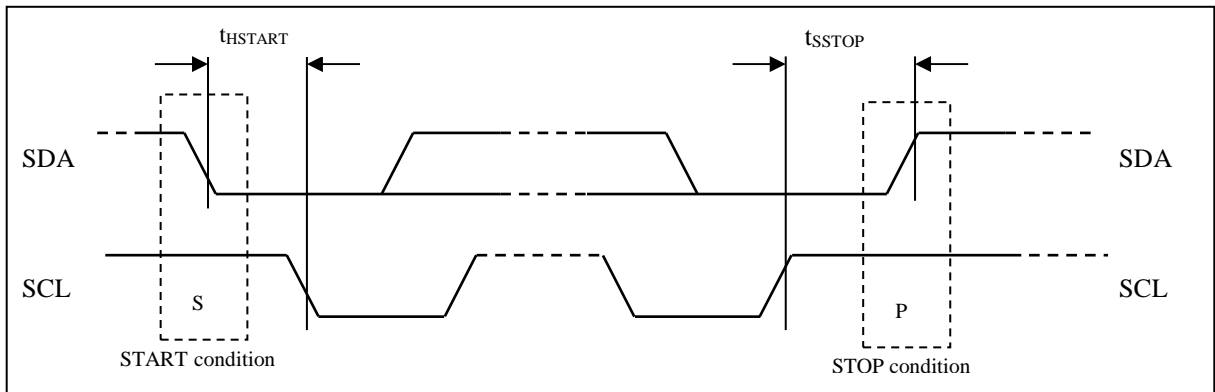
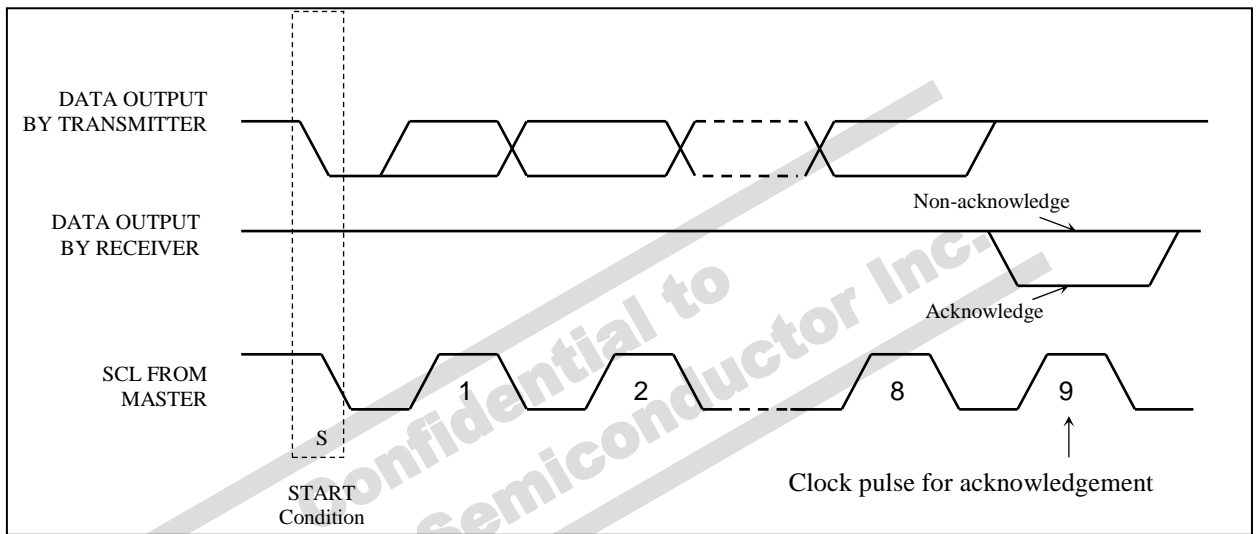


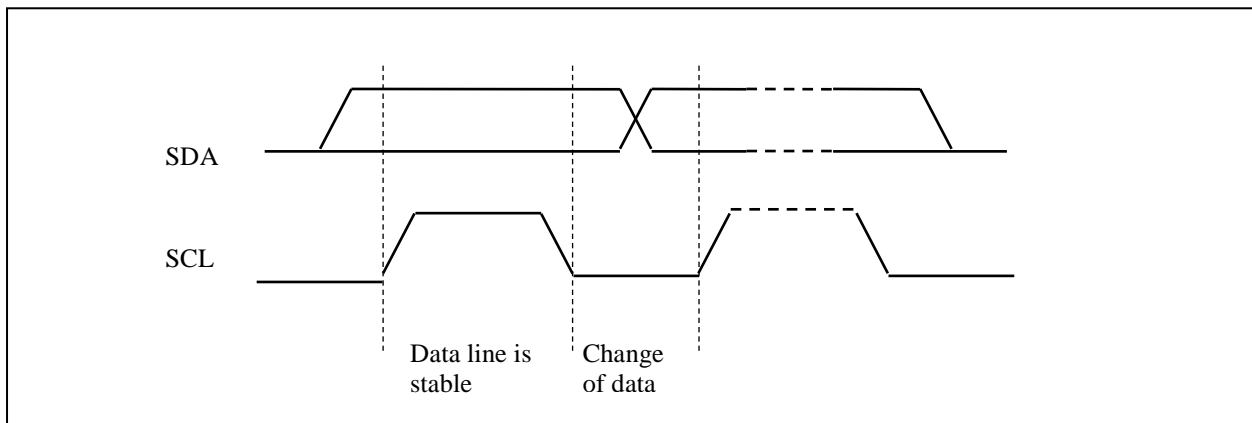
Figure 7-9 : Definition of the acknowledgement condition



Please be noted that the transmission of the data bit has some limitations.

1. The data bit, which is transmitted during each SCL pulse, must keep at a stable state within the "HIGH" period of the clock pulse. Please refer to the Figure 7-10 for graphical representations. Except in start or stop conditions, the data line can be switched only when the SCL is LOW.
2. Both the data line (SDA) and the clock line (SCL) should be pulled up by external resistors.

Figure 7-10 : Definition of the data transfer condition



7.2 Command Decoder

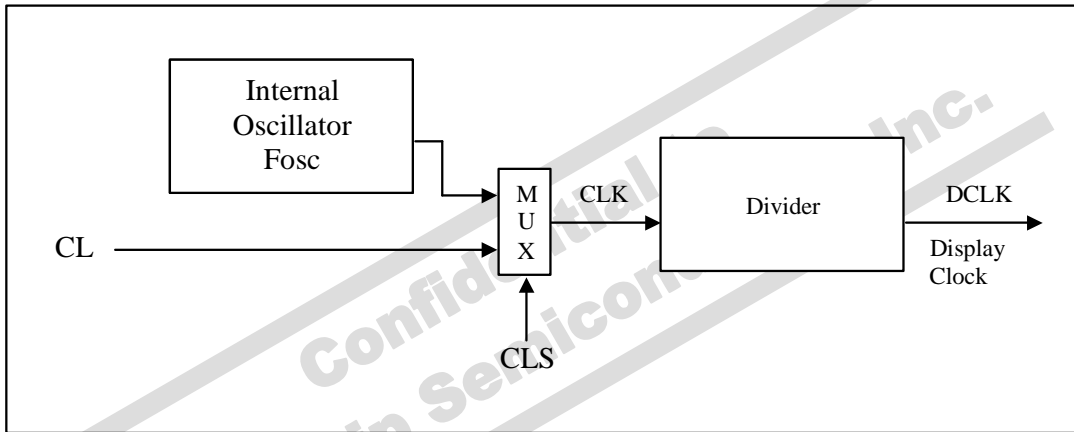
This module determines whether the input data is interpreted as data or command. Data is interpreted based upon the input of the D/C# pin.

If D/C# pin is HIGH, the input D[7:0] is written to Graphic Display Data RAM (GDDRAM). If it is LOW, the input D[7:0] is interpreted as a command which will be decoded and be written to the corresponding command register.

7.3 Oscillator Circuit and Display Time Generator

This module is an On-Chip low power RC oscillator circuitry (Figure 7-11). The operation clock (CLK) can be generated either from internal oscillator or external source CL pin. This selection is done by CLS pin. If CLS pin is HIGH, internal oscillator is chosen and CL should be pulled to LOW. If CLS pin is LOW, external clock from CL pin will be used for CLK for proper operation. The frequency of internal oscillator F_{OSC} can be programmed by command B3h.

Figure 7-11: Oscillator Circuit



The display clock (DCLK) for the Display Timing Generator is derived from CLK. The division factor “D” can be programmed from 1 to 256 by command B3h.

$$DCLK = F_{OSC} / D$$

The frame frequency of display is determined by the following formula:

$$F_{FRM} = \frac{F_{osc}}{D \times K \times \text{No. of Mux}}$$

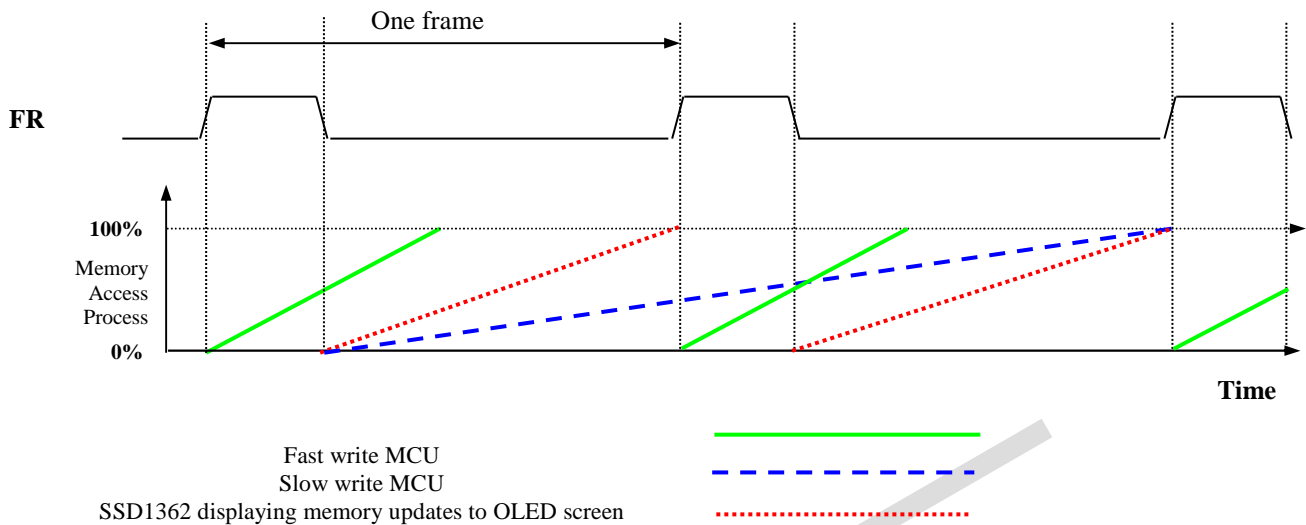
Where

- D stands for clock divide ratio. It is set by command B3h A[3:0]. The divide ratio has the range from 1 to 256.
- K is the number of display clocks per row. The value is derived by
 $K = \text{Phase 1 period} + \text{Phase 2 period} + X$
 $= 4 + 16 + 195 = 215$ at power on reset
 Default $X = GS15 + 15 = 180 + 15 = 195$
- Number of multiplex ratio is set by command A8h. The reset value is 63 (i.e. 64MUX).
- F_{osc} is the oscillator frequency. It can be changed by command B3h A[7:4]. The higher the register setting results in higher frequency.

If the frame frequency is set too low, flickering may occur. On the other hand, higher frame frequency leads to higher power consumption on the whole system.

7.4 FR synchronization

FR synchronization signal can be used to prevent tearing effect.



The starting time to write a new image to OLED driver is depended on the MCU writing speed. If MCU can finish writing a frame image within one frame period, it is classified as fast write MCU. For MCU needs longer writing time to complete (more than one frame but within two frames), it is a slow write one.

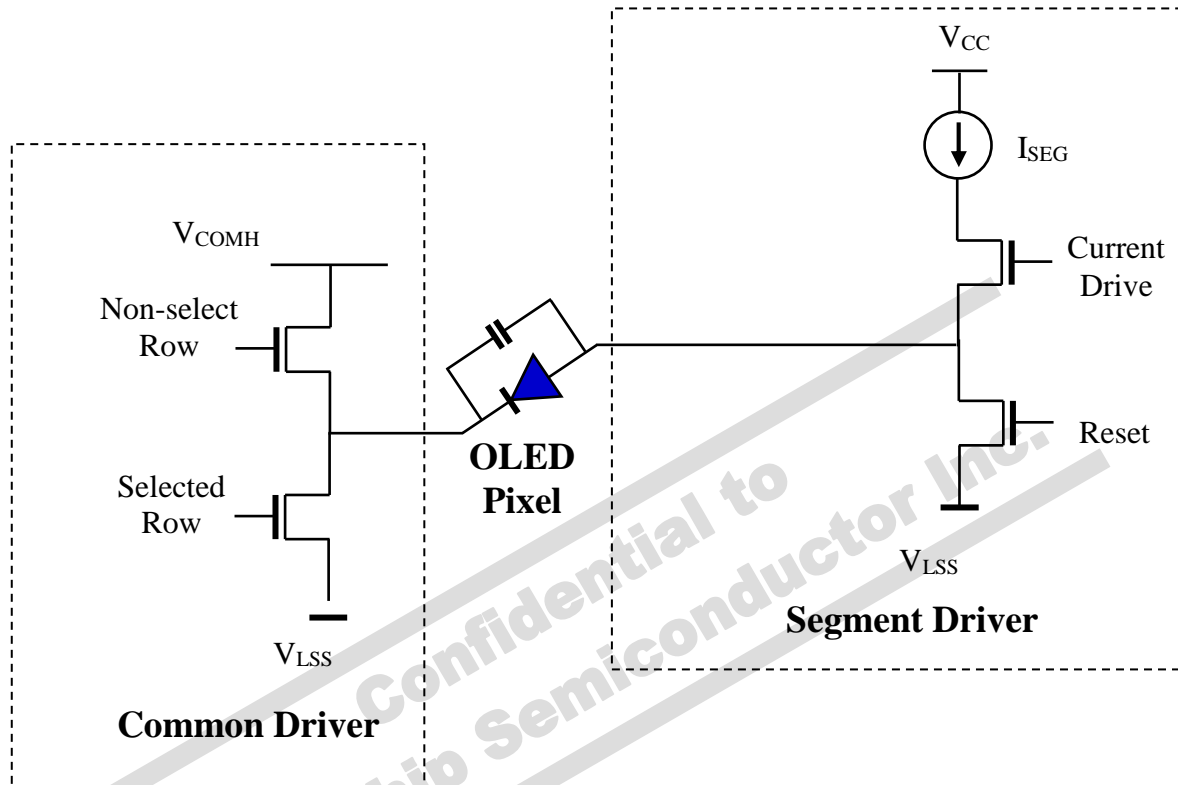
For fast write MCU: MCU should start to write new frame of ram data just after rising edge of FR pulse and should be finished well before the rising edge of the next FR pulse.

For slow write MCU: MCU should start to write new frame ram data after the falling edge of the 1st FR pulse and must be finished before the rising edge of the 3rd FR pulse.

7.5 Segment Drivers / Common Drivers

Segment drivers deliver 256 current sources to drive the OLED panel. The driving current can be adjusted up to 600uA by altering the registers of the contrast setting command (81h). Common drivers generate voltage-scanning pulses. The block diagrams and waveforms of the segment and common driver are shown as follow.

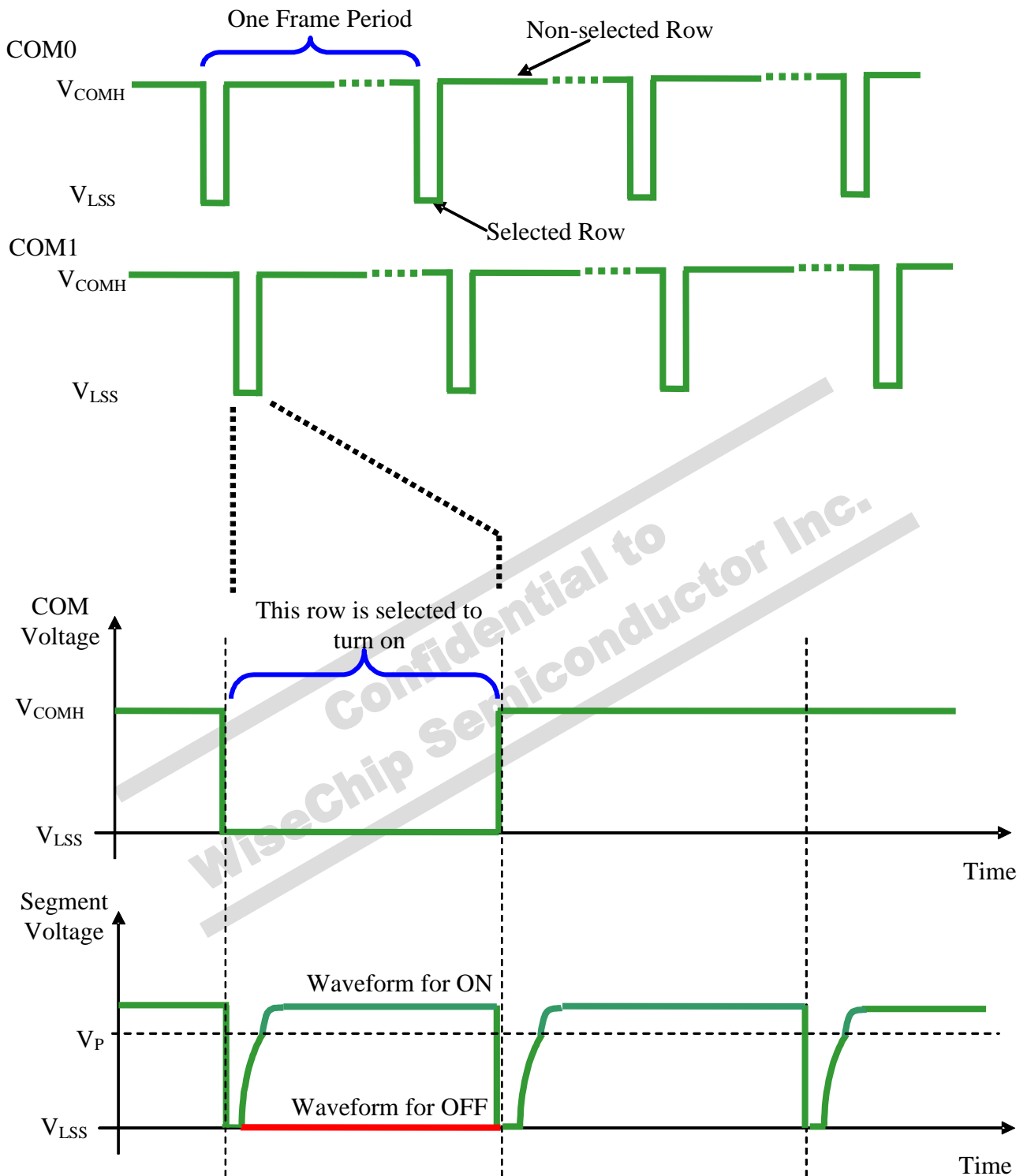
Figure 7-12: Segment and Common Driver Block Diagram



The commons are scanned sequentially, row by row. If a row is not selected, all the pixels on the row are in reverse bias by driving those commons to voltage V_{COMH} as shown in Figure 7-13.

In the scanned row, the pixels on the row will be turned ON or OFF by sending the corresponding data signal to the segment pins. If the pixel is turned OFF, the segment current is kept at 0. On the other hand, the segment drives to I_{SEG} when the pixel is turned ON.

Figure 7-13 : Segment and Common Driver Signal Waveform



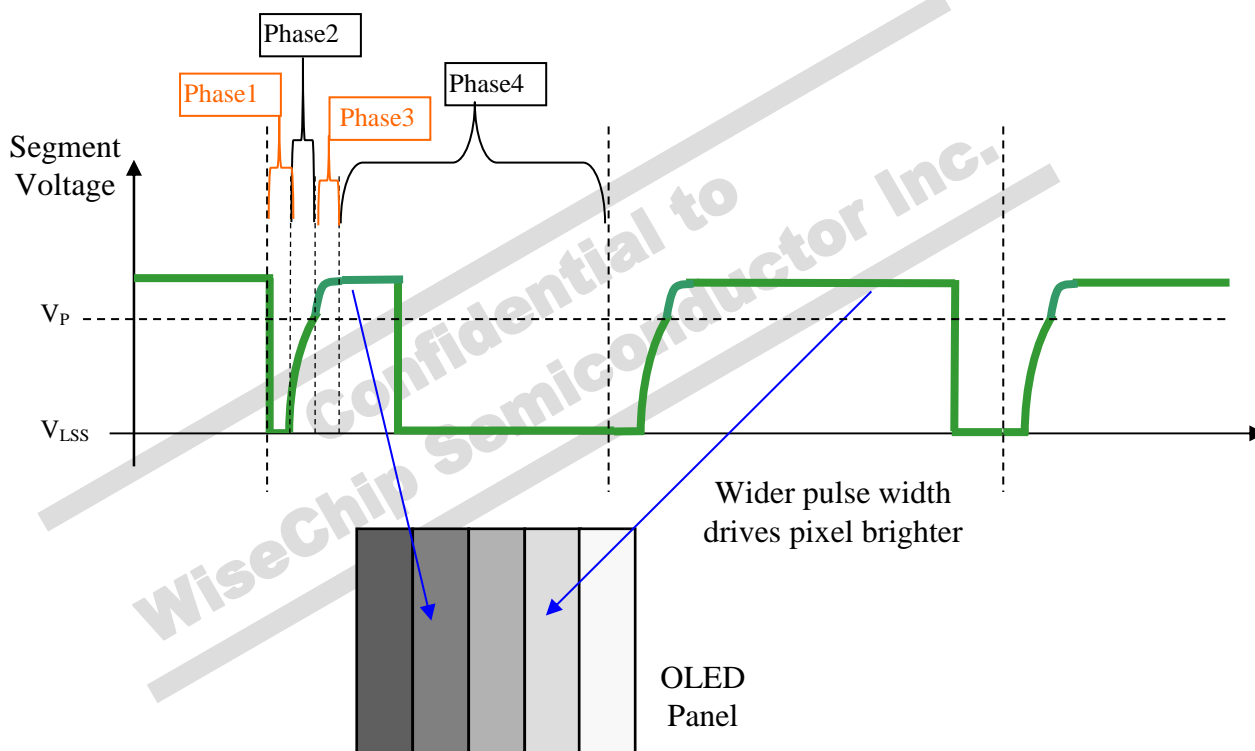
There are four phases to driving an OLED a pixel. In phase 1, the pixel is reset by the segment driver to V_{LSS} in order to discharge the previous data charge stored in the parasitic capacitance along the segment electrode. The period of phase 1 can be programmed by command B1h A[3:0]. An OLED panel with larger capacitance requires a longer period for discharging.

In phase 2, first pre-charge is performed. The pixel is driven to attain the corresponding voltage level V_P from V_{LSS} . The amplitude of V_P can be programmed by the command BCh. The period of phase 2 can be programmed by command B1h A[7:4]. If the capacitance value of the pixel of OLED panel is larger, a longer period is required to charge up the capacitor to reach the desired voltage.

In phase 3, the OLED pixel is driven to the targeted driving voltage through second pre-charge. The second pre-charge can control the speed of the charging process. The period of phase 3 can be programmed by command B6h.

Last phase (phase 4) is current drive stage. The current source in the segment driver delivers constant current to the pixel. The driver IC employs PWM (Pulse Width Modulation) method to control the gray scale of each pixel individually. The gray scale can be programmed into different Gamma settings by command B8h/B9h. The bigger gamma setting (the wider pulse widths) in the current drive stage results in brighter pixels and vice versa. This is shown in the following figure.

Figure 7-14 : Gray Scale Control by PWM in Segment



After finishing phase 4, the driver IC will go back to phase 1 to display the next row image data. This four-step cycle is run continuously to refresh image display on OLED panel.

The length of phase 4 is defined by command B8h or B9h. In the table, the gray scale is defined in incremental way, with reference to the length of previous table entry.

7.6 SEG/COM Driving block

This block is used to derive the incoming power sources into the different levels of internal use voltage and current.

- V_{CC} is the most positive voltage supply.
- V_{COMH} is the Common deselected level. It is internally regulated.
- V_{LSS} is the ground path of the analog and panel current.
- I_{REF} is a reference current source for segment current drivers I_{SEG} . The relationship between reference current and segment current of a color is:

$$I_{SEG} = \text{Contrast} / 256 * I_{REF} * \text{scale factor}$$

In which

the contrast (1~255) is set by Set Contrast command (81h); and the scale factor is 32.

When internal I_{REF} is used, the I_{REF} pin should be kept NC.

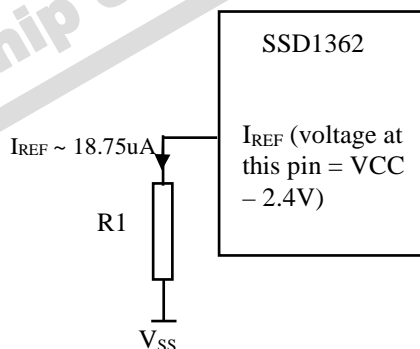
Bit A[4] of command ADh is used to select external or internal I_{REF} :

A[4] = '0' Select external I_{REF} [Reset]

A[4] = '1' Enable internal I_{REF} during display ON

When external I_{REF} is used, the magnitude of I_{REF} is controlled by the value of resistor, which is connected between I_{REF} pin and V_{SS} as shown in Figure 7-15. It is recommended to set I_{REF} to $18.75 \pm 2\mu\text{A}$ so as to achieve $I_{SEG} \approx 600\mu\text{A}$ at maximum contrast 255.

Figure 7-15 : I_{REF} Current Setting by Resistor Value



Since the voltage at I_{REF} pin is $V_{CC} - 2.4\text{V}$, the value of resistor $R1$ can be found as below:

For $I_{REF} = 18.75\mu\text{A}$, $V_{CC} = 18\text{V}$:

$$\begin{aligned} R1 &= (\text{Voltage at } I_{REF} - V_{SS}) / I_{REF} \\ &\approx (18 - 2.4) / 18.75\mu\text{A} \\ &= 832\text{k}\Omega \end{aligned}$$

7.7 Graphic Display Data RAM (GDDRAM)

The GDDRAM is a bit mapped static RAM holding the bit pattern to be displayed. The size of the RAM is 256x64x4 bits. For mechanical flexibility, re-mapping on both Segment and Common outputs can be selected by software. The GDDRAM address maps in Table 7-6 to Table 7-10 show some examples on using the command “Set Re-map” A0h to re-map the GDDRAM. In the following tables, the lower nibble and higher nibble of D0, D1, D2 ... D8189, D8190, D8191 represent the 256x64 data bytes in the GDDRAM.

Table 7-6 shows the GDDRAM map under the following condition:

- Command “Set Re-map” A0h is set to:
 - Disable Column Address Re-map (A[0]=0)
 - Disable Nibble Re-map (A[1]=0)
 - Enable Horizontal Address Increment (A[2]=0)
 - Disable COM Re-map (A[4]=0)
- Display Start Line=00h
- Data byte sequence: D0, D1, D2 ... D8191

Table 7-6 : GDDRAM address map 1

		SEG0	SEG1	SEG2	SEG3		SEG252	SEG253	SEG254	SEG255	SEG Outputs Column Address (HEX)
		00		01			7E		7F		
COM0	00	D0[3:0]	D0[7:4]	D1[3:0]	D1[7:4]		D126[3:0]	D126[7:4]	D127[3:0]	D127[7:4]	
COM1	01	D128[3:0]	D128[7:4]	D129[3:0]	D129[7:4]		D254[3:0]	D254[7:4]	D255[3:0]	D255[7:4]	
		←-----→					←-----→				
COM62	3E	D7936[3:0]	D7936[7:4]	D7937[3:0]	D7937[7:4]		D8062[3:0]	D8062[7:4]	D8063[3:0]	D8063[7:4]	
COM63	3F	D8064[3:0]	D8064[7:4]	D8065[3:0]	D8065[7:4]		D8190[3:0]	D8190[7:4]	D8191[3:0]	D8191[7:4]	

Nibble re-map A[1]=0

Table 7-7 shows the GDDRAM map under the following condition:

- Command “Set Re-map” A0h is set to:
 - Disable Column Address Re-map (A[0]=0)
 - Disable Nibble Re-map (A[1]=0)
 - Enable Vertical Address Increment (A[2]=1)
 - Disable COM Re-map (A[4]=0)
- Display Start Line=00h
- Data byte sequence: D0, D1, D2 ... D8191

Table 7-7 : GDDRAM address map 2

		SEG0	SEG1	SEG2	SEG3		SEG252	SEG253	SEG254	SEG255	SEG Outputs Column Address (HEX)
		00		01			7E		7F		
COM0	00	D0[3:0]	D0[7:4]	D64[3:0]	D64[7:4]		D8064[3:0]	D8064[7:4]	D8128[3:0]	D8128[7:4]	
COM1	01	D1[3:0]	D1[7:4]	D65[3:0]	D65[7:4]		D8065[3:0]	D8065[7:4]	D8129[3:0]	D8129[7:4]	
		←-----→					←-----→				
COM62	3E	D62[3:0]	D62[7:4]	D126[3:0]	D126[7:4]		D8126[3:0]	D8126[7:4]	D8190[3:0]	D8190[7:4]	
COM63	3F	D63[3:0]	D63[7:4]	D127[3:0]	D127[7:4]		D8127[3:0]	D8127[7:4]	D8191[3:0]	D8191[7:4]	

(Display Startline=0)

Nibble re-map A[1]=0

Table 7-8 shows the GDDRAM map under the following condition:

- Command “Set Re-map” A0h is set to:
 - Enable Column Address Re-map (A[0]=1)
 - Enable Nibble Re-map (A[1]=1)
 - Enable Horizontal Address Increment (A[2]=0)
 - Disable COM Re-map (A[4]=0)
- Display Start Line=00h
- Data byte sequence: D0, D1, D2 ... D8191

Table 7-8 : GDDRAM address map 3

		SEG0	SEG1	SEG2	SEG3		SEG252	SEG253	SEG254	SEG255	SEG Outputs Column Address (HEX)
		7F		7E			01		00		
COM0	00	D127[7:4]	D127[3:0]	D126[7:4]	D126[3:0]		D1[7:4]	D1[3:0]	D0[7:4]	D0[3:0]	
COM1	01	D255[7:4]	D255[3:0]	D254[7:4]	D254[3:0]		D129[7:4]	D129[3:0]	D128[7:4]	D128[3:0]	
COM62	3E	D8063[7:4]	D8063[3:0]	D8062[7:4]	D8062[3:0]		D7937[7:4]	D7937[3:0]	D7936[7:4]	D7936[3:0]	
COM63	3F	D8191[7:4]	D8191[3:0]	D8190[7:4]	D8190[3:0]		D8065[7:4]	D8065[3:0]	D8064[7:4]	D8064[3:0]	
COM Outputs	Row Address (HEX)										

(Display Startline=0)

Nibble re-map A[1]=1

Table 7-9 shows the example in which the display start line register is set to 78h with the following condition:

- Command “Set Re-map” A0h is set to:
 - Disable Column Address Re-map (A[0]=0)
 - Disable Nibble Re-map (A[1]=0)
 - Enable Horizontal Address Increment (A[2]=0)
 - Enable COM Re-map (A[4]=1)
- Display Start Line=38h (corresponds to COM55)
- Data byte sequence: D0, D1, D2 ... D8191

Table 7-9 : GDDRAM address map 4

		SEG0	SEG1	SEG2	SEG3		SEG252	SEG253	SEG254	SEG255	SEG Outputs Column Address (HEX)
		00		01			7E		7F		
COM55	00	D0[3:0]	D0[7:4]	D1[3:0]	D1[7:4]		D126[3:0]	D126[7:4]	D127[3:0]	D127[7:4]	
COM54	01	D128[3:0]	D128[7:4]	D129[3:0]	D129[7:4]		D254[3:0]	D254[7:4]	D255[3:0]	D255[7:4]	
COM57	3E	D7936[3:0]	D7936[7:4]	D7937[3:0]	D7937[7:4]		D8062[3:0]	D8062[7:4]	D8063[3:0]	D8063[7:4]	
COM56	3F	D8064[3:0]	D8064[7:4]	D8065[3:0]	D8065[7:4]		D8190[3:0]	D8190[7:4]	D8191[3:0]	D8191[7:4]	
COM Outputs	Row Address (HEX)										

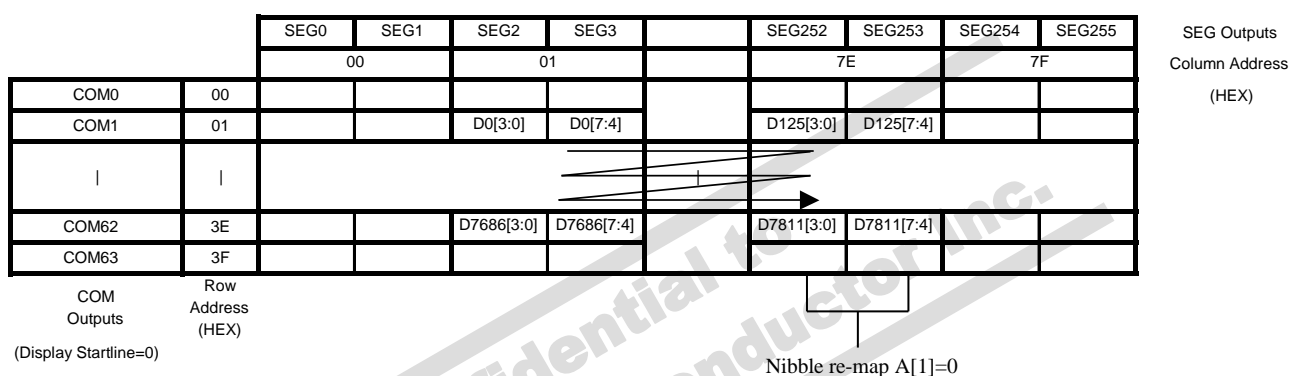
(Display Startline=38H)

Nibble re-map A[1]=0

Table 7-10 shows the GDDRAM map under the following condition:

- Command “Set Re-map” A0h is set to:
 - Disable Column Address Re-map (A[0]=0)
 - Disable Nibble Re-map (A[1]=0)
 - Enable Horizontal Address Increment (A[2]=0)
 - Disable COM Re-map (A[4]=0)
- Display Start Line=00h
- Column Start Address=01h
- Column End Address=7Eh
- Row Start Address=01h
- Row End Address=3Eh
- Data byte sequence: D0, D1, D2 ... D7811

Table 7-10 : GDDRAM address map 5



Notes:

- (1) Please refer to Command Table for the details of setting command “Set Re-map” A0h.
- (2) The “Display Start Line” is set by the command “Set Display Start Line” A1h.
- (3) The “Column Start/End Address” is set by the command “Set Column Address” 15h.
- (4) The “Row Start/End Address” is set by the command “Set Row Address” 75h.

7.8 Gray Scale Decoder

The gray scale effect is generated by controlling the pulse width (PW) of current drive phase, except GS0 there is no pre-charge (phase 2, 3) and current drive (phase 4). The driving period is controlled by the gray scale settings (setting 0 ~ setting 255). The larger the setting, the brighter the pixel will be. The Gray Scale Table stores the corresponding gray scale setting of the 16 gray scale levels (GS0~GS15) through the software commands B8h or B9h.

As shown in Figure 7-16, GDDRAM data has 4 bits, represent the 16 gray scale levels from GS0 to GS15. Note that the frame frequency is affected by GS15 setting.

Figure 7-16 : Relation between GDDRAM content and Gray Scale table entry (under command B9h Enable Linear Gray Scale Table)

GDDRAM data (4 bits)	Gray Scale Table	Default Gamma Setting (Command B9h)
0000	GS0 ⁽¹⁾	Setting 0
0001	GS1	Setting 12
0010	GS2	Setting 24
0011	GS3	Setting 36
:	:	:
:	:	:
1101	GS13	Setting 156
1110	GS14	Setting 168
1111	GS15	Setting 180

Note:

⁽¹⁾ GS0 has no pre-charge (phase 2, 3) and current drive (phase 4).

Confidential to
WiseChip Semiconductor Co., Ltd.

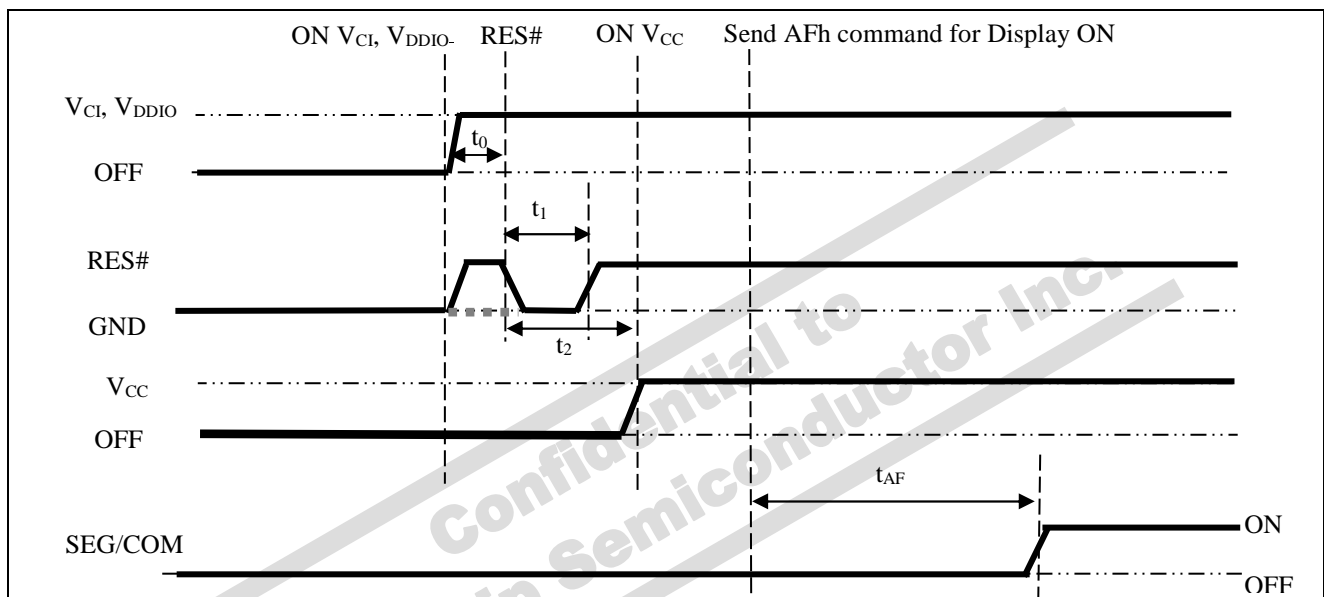
7.9 Power ON and OFF sequence

The following figures illustrate the recommended power ON and power OFF sequence of SSD1362 (assume V_{CI} and V_{DDIO} are at the same voltage level and internal V_{DD} is used).

Power ON sequence:

1. Power ON V_{CI} , V_{DDIO} .
2. After V_{CI} , V_{DDIO} becomes stable, set wait time at least 1ms (t_0) for internal V_{DD} become stable. Then set RES# pin LOW (logic low) for at least 100us (t_1)⁽⁴⁾ and then HIGH (logic high).
3. After set RES# pin LOW (logic low), wait for at least 100us (t_2). Then Power ON V_{CC} .
4. After V_{CC} become stable, send command AFh for display ON. SEG/COM will be ON after 200ms (t_{AF}).
5. After V_{CI} , V_{DDIO} become stable, wait for at least 50ms to send command.

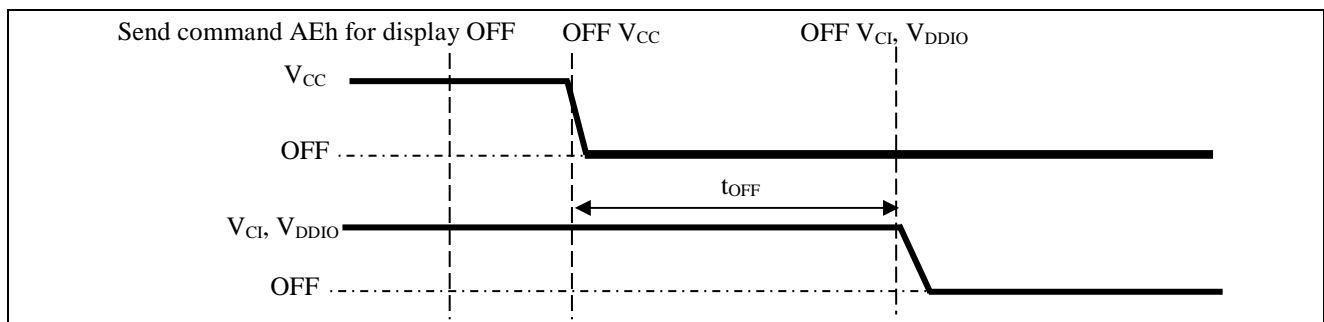
Figure 7-17 : The Power ON sequence.



Power OFF sequence:

1. Send command AEh for display OFF.
2. Power OFF V_{CC} .^{(1),(2)}
3. Wait for t_{OFF} . Power OFF V_{CI} . (Typical $t_{OFF}=100ms$)⁽⁴⁾

Figure 7-18 : The Power OFF sequence



Note:

- (1) V_{CC} should be kept float (disable) when it is OFF.
- (2) Power pins (V_{CI} , V_{DDIO} , V_{CC}) can never be pulled to ground under any circumstance.
- (3) The register values are reset after t_1 .
- (4) V_{CI} and V_{DDIO} should not be Power OFF before V_{CC} Power OFF.

7.10 V_{DD} Regulator

In SSD1362, the power supply pin for core logic operation, V_{DD}, can be supplied by external source or internally regulated through the V_{DD} regulator.

The internal V_{DD} regulator is enabled by setting bit A[0] to 1b in command ABh “Function Selection”. V_{CI} should be larger than 2.6V when using the internal V_{DD} regulator. It should be noticed that, no matter V_{DD} is supplied by external source or internally regulated; V_{CI} must always be set equivalent to or higher than V_{DD}.

Table 7-11 summarizes the input / output connection of V_{CI}, V_{DDIO} and V_{DD}.

Table 7-11: IO regulator pin description

Pin Name	V _{CI} ≤ 2.6V Application	V _{CI} > 2.6V Application
V _{CI}	1.65V – 2.6V	2.6V – 3.5V
V _{DDIO}	1.65V – V _{CI}	1.65V – V _{CI}
V _{DD}	1.65V – V _{CI}	NC with stabilizing capacitor It is internally regulated
Pin connection scheme	<div style="border: 1px solid black; padding: 5px; margin-bottom: 5px;"> <p>V_{DD} Regulator Disable, Command: ABh A[0]=0b.</p> </div>	<div style="border: 1px solid black; padding: 5px; margin-bottom: 5px;"> <p>V_{CI} > 2.6V, V_{DD} Regulator Enable, Command: ABh A[0]=1b.</p> </div>

No RAM access through MCU interface when there is no external / internal V_{DD}.

7.11 Reset Circuit

When RES# input is LOW, the chip is initialized with the following status:

1. Display is OFF
2. 256 x 64 Display Mode
3. Normal segment and display data column address and row address mapping (SEG0 mapped to address 00h and COM0 mapped to address 00h)
4. Shift register data clear in serial interface
5. Display start line is set at display RAM address 0
6. Column address counter is set at 0
7. Normal scan direction of the COM outputs
8. Contrast control register is set at 7Fh
9. Normal display mode (Equivalent to A4h command)

8 COMMAND TABLE

Table 8-1: Command Table

(R/W# (WR#) = 0, E(RD#) = 1 unless specific setting is stated)

1. Fundamental Command Table											
D/C#	Hex	D7	D6	D5	D4	D3	D2	D1	D0	Command	Description
0 0 0	15 A[6:0] B[6:0]	0 * *	0 A ₆ B ₆	0 A ₅ B ₅	1 A ₄ B ₄	0 A ₃ B ₃	1 A ₂ B ₂	0 A ₁ B ₁	1 A ₀ B ₀	Set Column Address	Setup Column start and end address A[6:0]: Start Address, range:00h~7Fh, (RESET = 00h) B[6:0]: End Address, range:00h~7Fh, (RESET = 7Fh)
0 0 0	75 A[5:0] B[5:0]	0 * *	1 * *	1 A ₅ B ₅	1 A ₄ B ₄	0 A ₃ B ₃	1 A ₂ B ₂	0 A ₁ B ₁	1 A ₀ B ₀	Set Row Address	Setup Row start and end address A[5:0]: Start Address, range:00h~3Fh, (RESET = 00h) B[5:0]: End Address, range:00h~3Fh, (RESET = 3Fh)
0 0	81 A[7:0]	1 A ₇	0 A ₆	0 A ₅	0 A ₄	0 A ₃	0 A ₂	0 A ₁	1 A ₀	Set Contrast Control	Double byte command to select one of the contrast steps. Contrast increases as the value increases. (RESET = 7Fh)
00 0	A0 A[7:0]	1 A ₇	0 A ₆	1 0	0 A ₄	0 0	0 A ₂	0 A ₁	0 A ₀	Set Re-map	Re-map setting in Graphic Display Data RAM (GDDRAM) A[0] = 0b, Disable Column Address Re-map (RESET) A[0] = 1b, Enable Column Address Re-map A[1] = 0b, Disable Nibble Re-map (RESET) A[1] = 1b, Enable Nibble Re-map A[2] = 0b, Enable Horizontal Address Increment (RESET) A[2] = 1b, Enable Vertical Address Increment A[4] = 0b, Disable COM Re-map (RESET) A[4] = 1b, Enable COM Re-map A[6] = 0b, Disable SEG Split Odd Even (RESET) A[6] = 1b, Enable SEG Split Odd Even (RESET) A[7] = 0b, Disable SEG left/right remap (RESET) A[7] = 1b, Enable SEG left/right remap
0 0	A1 A[5:0]	1 *	0 *	1 A ₅	0 A ₄	0 A ₃	0 A ₂	0 A ₁	1 A ₀	Set Display Start Line	A[5:0]: Vertical shift by setting the starting address of display RAM from 0 ~ 63 (RESET = 00h)

1. Fundamental Command Table											
D/C#	Hex	D7	D6	D5	D4	D3	D2	D1	D0	Command	Description
0 0	A2 A[5:0]	1 *	0 *	1 A ₅	0 A ₄	0 A ₃	0 A ₂	1 A ₁	0 A ₀	Set Display Offset	A[5:0]: Set vertical offset by COM from 0 ~ 63 (RESET = 00h) e.g. Set A[5:0] to 010000b to move COM16 towards COM0 direction for 16 row
0 0 0	A3 A[5:0] B[6:0]	1 * *	0 * B ₆	1 A ₅ B ₅	0 A ₄ B ₄	0 A ₃ B ₃	0 A ₂ B ₂	1 A ₁ B ₁	1 A ₀ B ₀	Set Vertical Scroll Area	A[5:0]: Number of rows in top fixed area. The No. of rows in top fixed area is referenced to the top of the GDDRAM (i.e. row 0). (RESET = 00h) B[6:0]: Number of rows in the scroll area. This is the number of rows to be used for vertical scrolling. The scroll area starts in the first row below the top fixed area. (RESET = 40h) Note (¹) A[5:0]+B[6:0] <= MUX ratio (²) B[6:0] <= MUX ratio (³) Set Display Start Line (A[5:0] in A1h) < B[6:0] (⁴) The last row of the scroll area shifts to the first row of the scroll area. (⁵) For 64d MUX display A[5:0] = 0, B[5:0]=64 : whole area scrolls A[5:0]= 0, B[5:0] < 64 : top area scrolls A[5:0] + B[5:0] < 64 : central area scrolls A[5:0] + B[5:0] = 64 : bottom area scrolls
0	A4 ~ A7	1	0	1	0	0	1	X ₁	X ₀	Set Display Mode	A4h = Normal display (RESET) A5h = All ON (All pixels have gray scale of 15, GS15) A6h = All OFF (All pixels have gray scale of 0, GS0) A7h = Inverse Display (GS0 → GS15, GS1 → GS14, GS2 → GS13, ...)
0 0	A8 A[5:0]	1 *	0 *	1 A ₅	0 A ₄	1 A ₃	0 A ₂	0 A ₁	0 A ₀	Set MUX Ratio	A[5:0]: Set MUX ratio from 4MUX ~ 64MUX: A[5:0] = 3 represents 4MUX A[5:0] = 4 represents 5MUX : A[5:0] = 62 represents 63MUX A[5:0] = 63 represents 64MUX (RESET) It should be noted that A[5:0]=0~2 is not allowed
0 0	AB A[0]	1 0	0 0	1 0	0 0	1 0	0 0	1 0	1 A ₀	Function Selection A	A[0]=0b, Select external V _{DD} (i.e. Disable internal V _{DD} regulator) A[0]=1b, Enable internal V _{DD} regulator (RESET)

1. Fundamental Command Table

D/C#	Hex	D7	D6	D5	D4	D3	D2	D1	D0	Command	Description
0 0	AD A[4]	1 1	0 0	1 0	0 A ₄	1 1	1 1	0 1	1 0	External / Internal I _{REF} Selection	Select external or internal I _{REF} : A[4] = '0' Select external I _{REF} (RESET) A[4] = '1' Enable internal I _{REF} during display ON
0	AE / AF	1	0	1	0	1	1	1	X ₀	Set Display ON/OFF	AEh = Display OFF (sleep mode) (RESET) AFh = Display ON in normal mode
0 0	B1 A[7:0]	1 A ₇	0 A ₆	1 A ₅	1 A ₄	0 A ₃	0 A ₂	0 A ₁	1 A ₀	Set Phase Length	A[3:0]: Phase 1 period of 2~30 DCLK's (i.e. 2, 4, 6, 8...30) (RESET = 0010b) A[7:4]: Phase 2 period of 2~30 DCLK's (i.e. 2, 4, 6, 8...30) (RESET = 1000b) Note ⁽¹⁾ GS15 level pulse width must be set larger than the period of phase 1 + phase 2
0 0	B3 A[7:0]	1 A ₇	0 A ₆	1 A ₅	1 A ₄	0 A ₃	0 A ₂	1 A ₁	1 A ₀	Set Front Clock Divider /Oscillator Frequency	A[3:0]: Define divide ratio (D) of display clock (DCLK) (i.e. 1, 2, 4, 8...256) (RESET is 0001b, i.e. divide ratio = 2) A[7:4]: Set the Oscillator Frequency, F _{osc} . Oscillator Frequency increases with the value of A[7:4] and vice versa. (Range:0000b~1111b) (RESET = 1010b)
0 0	B5 A[3:0]	1 0	0 0	1 0	1 0	0 A ₃	1 A ₂	0 A ₁	1 A ₀	GPIO	A[1:0] = 00b represents GPIO0 pin HiZ, input disable (always read as low) A[1:0] = 01b represents GPIO0 pin HiZ, input enable A[1:0] = 10b represents GPIO0 pin output Low (RESET) A[1:0] = 11b represents GPIO0 pin output High A[3:2] = 00b represents GPIO1 pin HiZ, input disable (always read as low) A[3:2] = 01b represents GPIO1 pin HiZ, input enable A[3:2] = 10b represents GPIO1 pin output Low (RESET) A[3:2] = 11b represents GPIO1 pin output High
0 0	B6 A[3:0]	1 *	0 *	1 *	1 *	0 A ₃	1 A ₂	1 A ₁	0 A ₀	Set Second pre- charge Period	A[3:0]: Second Pre-charge period of 1~15 DCLK's e.g. A[3:0] = 1111b, 15 DCLK Clock (RESET = 0100b)

1. Fundamental Command Table

D/C#	Hex	D7	D6	D5	D4	D3	D2	D1	D0	Command	Description																		
0 0 0 0 0	B8 A1[7:0] A2[7:0] A14[7:0] A15[7:0]	1 A1 ₇ A2 ₇ A14 ₇ A15 ₇	0 A1 ₆ A2 ₆ A14 ₆ A15 ₆	1 A1 ₅ A2 ₅ A14 ₅ A15 ₅	1 A1 ₄ A2 ₄ A14 ₄ A15 ₄	1 A1 ₃ A2 ₃ A14 ₃ A15 ₃	0 A1 ₂ A2 ₂ A14 ₂ A15 ₂	0 A1 ₁ A2 ₁ A14 ₁ A15 ₁	0 A1 ₀ A2 ₀ A14 ₀ A15 ₀	Set Gray Scale Table	<p>The next 15 data bytes set the gray scale pulse width in unit of DCLK's.</p> <p>A1[7:0], value for GS1 level Pulse width A2[7:0], value for GS2 level Pulse width ... A14[7:0], value for GS14 level Pulse width A15[7:0], value for GS15 level Pulse width</p> <p>Note ⁽¹⁾ The pulse width value of GS1, GS2, ..., GS15 should not be equal. i.e. 0<GS1<GS2 ... <GS15 ⁽²⁾ GS15 level pulse width must be set larger than the period of phase 1 + phase 2 ⁽³⁾ GS15 level must be set larger than 140 (ie. 8Ch)</p>																		
0	B9	1	0	1	1	1	0	0	1	Linear LUT	<p>The default Linear Gray Scale table is set in unit of DCLK's as follow</p> <p>GS0 level pulse width = 0; GS1 level pulse width = 12; GS2 level pulse width = 24; GS3 level pulse width = 36; ... GS14 level pulse width = 168; GS15 level pulse width = 180</p>																		
0 0	BC A[4:0]	1 0	0 0	1 0	1 A ₄	1 A ₃	1 A ₂	0 A ₁	0 A ₀	Set Pre-charge voltage	<p>Set pre-charge voltage level.</p> <table border="1"> <thead> <tr> <th>A[4:0]</th> <th>Hex code</th> <th>Pre-charge voltage</th> </tr> </thead> <tbody> <tr> <td>00000</td> <td>00h</td> <td>0.10 x V_{CC}</td> </tr> <tr> <td>:</td> <td>:</td> <td>:</td> </tr> <tr> <td>00100</td> <td>04h</td> <td>0.15 x V_{CC} (RESET)</td> </tr> <tr> <td>:</td> <td>:</td> <td>:</td> </tr> <tr> <td>11111</td> <td>1Fh</td> <td>0.51 x V_{CC}</td> </tr> </tbody> </table>	A[4:0]	Hex code	Pre-charge voltage	00000	00h	0.10 x V _{CC}	:	:	:	00100	04h	0.15 x V _{CC} (RESET)	:	:	:	11111	1Fh	0.51 x V _{CC}
A[4:0]	Hex code	Pre-charge voltage																											
00000	00h	0.10 x V _{CC}																											
:	:	:																											
00100	04h	0.15 x V _{CC} (RESET)																											
:	:	:																											
11111	1Fh	0.51 x V _{CC}																											
0 0	BD A[0]	1 0	0 0	1 0	1 0	1 0	1 0	0 0	0 A ₀	Pre-charge voltage capacitor Selection	<p>A[0]=0b, Without external V_P capacitor (RESET) A[0]=1b, With external V_P capacitor</p>																		
0 0	BE A[3:0]	1 0	0 0	1 0	1 0	1 A ₃	1 A ₂	1 A ₁	0 A ₀	Set V _{COMH}	<p>Set COM deselect voltage level.</p> <table border="1"> <thead> <tr> <th>A[3:0]</th> <th>Hex code</th> <th>V_{COMH}</th> </tr> </thead> <tbody> <tr> <td>0000</td> <td>00h</td> <td>0.72 x V_{CC}</td> </tr> <tr> <td>:</td> <td>:</td> <td>:</td> </tr> <tr> <td>0101</td> <td>05h</td> <td>0.82 x V_{CC} (RESET)</td> </tr> <tr> <td>:</td> <td>:</td> <td>:</td> </tr> <tr> <td>0111</td> <td>07h</td> <td>0.86 x V_{CC}</td> </tr> </tbody> </table>	A[3:0]	Hex code	V _{COMH}	0000	00h	0.72 x V _{CC}	:	:	:	0101	05h	0.82 x V _{CC} (RESET)	:	:	:	0111	07h	0.86 x V _{CC}
A[3:0]	Hex code	V _{COMH}																											
0000	00h	0.72 x V _{CC}																											
:	:	:																											
0101	05h	0.82 x V _{CC} (RESET)																											
:	:	:																											
0111	07h	0.86 x V _{CC}																											

1. Fundamental Command Table																									
D/C#	Hex	D7	D6	D5	D4	D3	D2	D1	D0	Command	Description														
0 0	FD A[2]	1 0	1 0	1 0	1 1	1 0	1 A ₂	0 1	1 0	Set Command Lock	<p>A[2]: MCU protection status.</p> <p>A[2] = 0b, Unlock OLED driver IC MCU interface from entering command (RESET) A[2] = 1b, Lock OLED driver IC MCU interface from entering command</p> <p>Note (1) The locked OLED driver IC MCU interface prohibits all commands and memory access except the FDh command</p>														
0 0	23 A[5:0]	0 *	0 *	1 A ₅	0 A ₄	0 A ₃	0 A ₂	1 A ₁	1 A ₀	Set Fade In / Out and Blinking	<p>A[5:4] = 00b, Disable fade mode (RESET)</p> <p>A[5:4] = 01b, Enable fade in mode, Once Fade In Mode is enabled, enter a new contrast setting by 81h command and contrast will increase gradually to the target contrast setting. Output follows the latest contrast setting when Fade mode is disabled.</p> <p>Note: (1) The new contrast setting must be larger than the original contrast setting before Fade In Mode is enabled.</p> <p>A[5:4] = 10b, Enable fade out mode, Once Fade Out Mode is enabled, contrast decrease gradually to all pixels OFF. Output follows RAM content when Fade mode is disabled.</p> <p>A[5:4] = 11b Enable Blinking mode. Once Blinking Mode is enabled, contrast decrease gradually to all pixels OFF and then contrast increase gradually to normal display. This process loop continuously until the Blinking mode is disabled.</p> <p>A[3:0], Set the time interval for each fade step</p> <table border="1"> <thead> <tr> <th>A[3:0]</th> <th>Time interval / step</th> </tr> </thead> <tbody> <tr> <td>0000</td> <td>8 frames</td> </tr> <tr> <td>0001</td> <td>16 frames</td> </tr> <tr> <td>0010</td> <td>24 frames</td> </tr> <tr> <td>...</td> <td>...</td> </tr> <tr> <td>1110</td> <td>120 frames</td> </tr> <tr> <td>1111</td> <td>128 frames</td> </tr> </tbody> </table>	A[3:0]	Time interval / step	0000	8 frames	0001	16 frames	0010	24 frames	1110	120 frames	1111	128 frames
A[3:0]	Time interval / step																								
0000	8 frames																								
0001	16 frames																								
0010	24 frames																								
...	...																								
1110	120 frames																								
1111	128 frames																								

Note

(1) “*” stands for “Don’t care”.

8.1 Data Read / Write

To read data from the GDDRAM, select HIGH for both the R/W# (WR#) pin and the D/C# pin for 6800-series parallel mode and select LOW for the E (RD#) pin and HIGH for the D/C# pin for 8080-series parallel mode. No data read is provided in serial mode operation.

In normal data read mode the GDDRAM column address pointer will be increased automatically by one after each data read.

Also, a dummy read is required before the first data read.

To write data to the GDDRAM, select LOW for the R/W# (WR#) pin and HIGH for the D/C# pin for both 6800-series parallel mode and 8080-series parallel mode. The serial interface mode is always in write mode. The GDDRAM column address pointer will be increased automatically by one after each data write.

Table 8-2 : Address increment table (Automatic)

D/C#	R/W# (WR#)	Comment	Address Increment
0	0	Write Command	No
0	1	Read Status	No
1	0	Write Data	Yes
1	1	Read Data	Yes

Confidential to
WiseChip Semiconductor Inc.

9 COMMAND DESCRIPTIONS

9.1 Fundamental Command Description

9.1.1 Set Column Address (15h)

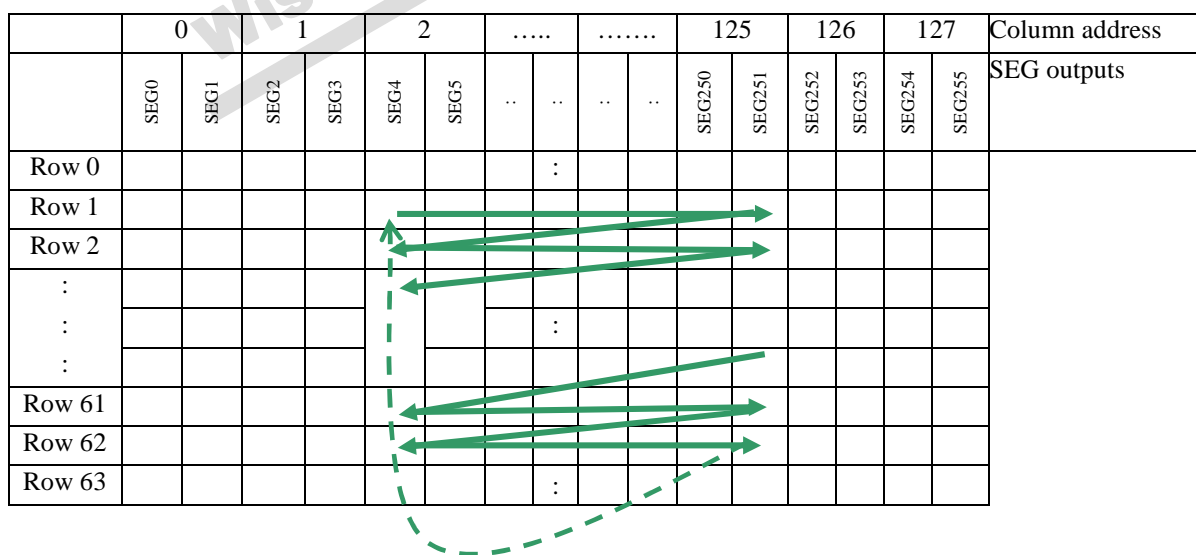
This triple byte command specifies column start address and end address of the display data RAM. This command also sets the column address pointer to column start address. This pointer is used to define the current read/write column address in graphic display data RAM. If horizontal address increment mode is enabled by command A0h, after finishing read/write one column data, it is incremented automatically to the next column address. Whenever the column address pointer finishes accessing the end column address, it is reset back to start column address and the row address is incremented to the next row.

9.1.2 Set Row Address (75h)

This triple byte command specifies row start address and end address of the display data RAM. This command also sets the row address pointer to row start address. This pointer is used to define the current read/write row address in graphic display data RAM. If vertical address increment mode is enabled by command A0h, after finishing read/write one row data, it is incremented automatically to the next row address. Whenever the row address pointer finishes accessing the end row address, it is reset back to start row address.

The diagram below shows the way of column and row address pointer movement through the example: column start address is set to 2 and column end address is set to 125, row start address is set to 1 and row end address is set to 62; horizontal address increment mode is enabled by command A0h. In this case, the graphic display data RAM column accessible range is from column 2 to column 125 and from row 1 to row 62 only. In addition, the column address pointer is set to 2 and row address pointer is set to 1. After finishing read/write one pixel of data, the column address is increased automatically by 1 to access the next RAM location for next read/write operation (*solid line in Figure 9-1*). Whenever the column address pointer finishes accessing the end column 125, it is reset back to column 2 and row address is automatically increased by 1 (*solid line in Figure 9-1*). While the end row 62 and end column 125 RAM location is accessed, the row address is reset back to 1 and the column address is reset back to 2 (*dotted line in Figure 9-1*).

Figure 9-1: Example of Column and Row Address Pointer Movement



9.1.3 Set Contrast Current (81h)

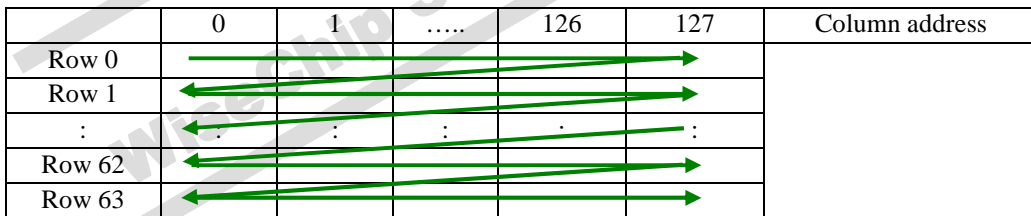
This double byte command is used to set Contrast Setting of the display with a valid range from 01h to FFh. The segment output current I_{SEG} increases linearly with the contrast step, which results in brighter display.

9.1.4 Set Re-map (A0h)

This double byte command has multiple configurations and each bit setting is described as follows:

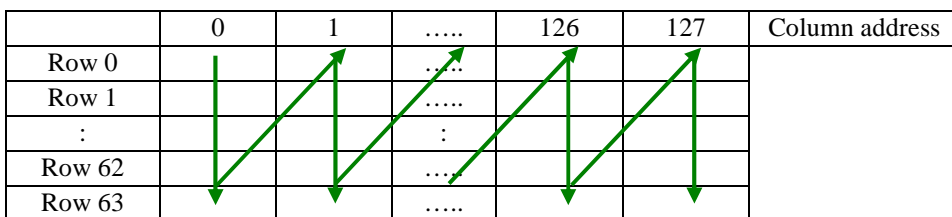
- Column Address Remapping (A[0])
This bit is made for increase the flexibility layout of segment signals in OLED module with segment arranged from left to right (when A[0] is set to 0) or from right to left (when A[0] is set to 1).
- Nibble Remapping (A[1])
When A[1] is set to 1, the two nibbles of the data bus for RAM access are re-mapped, such that (D7, D6, D5, D4, D3, D2, D1, D0) acts like (D3, D2, D1, D0, D7, D6, D5, D4).
If this feature works together with Column Address Re-map, it would produce an effect of flipping the outputs from SEG0~255 to SEG255~SEG0.
- Address increment mode (A[2])
When A[2] is set to 0, the driver is set as horizontal address increment mode. After the display RAM is read / written, the column address pointer is increased automatically by 1. If the column address pointer reaches column end address, the column address pointer is reset to column start address and row address pointer is increased by 1. The sequence of movement of the row and column address point for horizontal address increment mode is shown in Figure 9-2.

Figure 9-2: Address Pointer Movement of Horizontal Address Increment Mode



When A[2] is set to 1, the driver is set to vertical address increment mode. After the display RAM is read / written, the row address pointer is increased automatically by 1. If the row address pointer reaches the row end address, the row address pointer is reset to row start address and column address pointer is increased by 1. The sequence of movement of the row and column address point for vertical address increment mode is shown in Figure 9-3.

Figure 9-3: Address Pointer Movement of Vertical Address Increment Mode



- **COM Remapping (A[4])**
This bit defines the scanning direction of the common for flexible layout of common signals in OLED module either from up to down (when A[4] is set to 0) or from bottom to up (when A[4] is set to 1).

- **Splitting of Odd / Even SEG Signals (A[6])**
This bit is made to match the SEG layout connection on the panel.

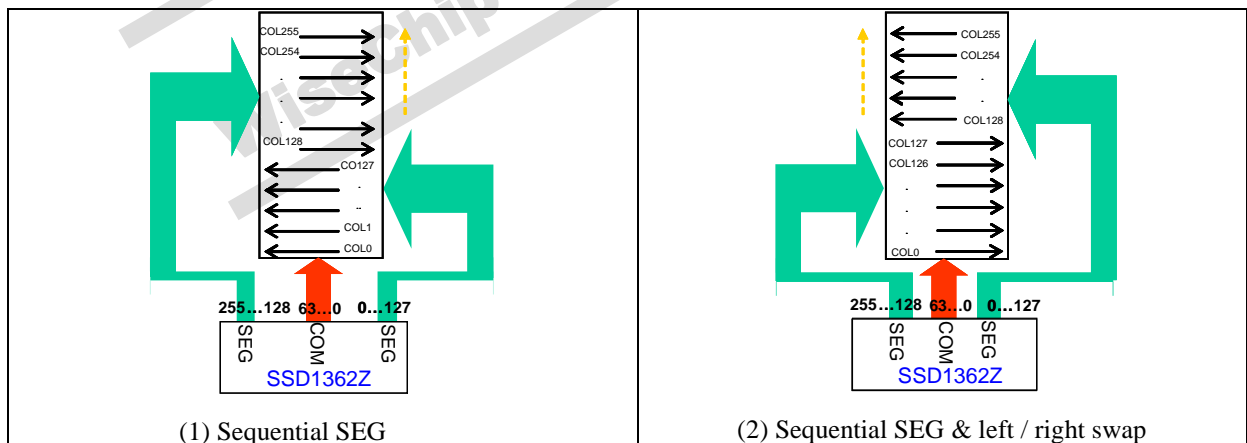
When A[6] is set to 0, no splitting odd / even of the SEG signal is performed.
When A[6] is set to 1, splitting odd / even of the SEG signal is performed.

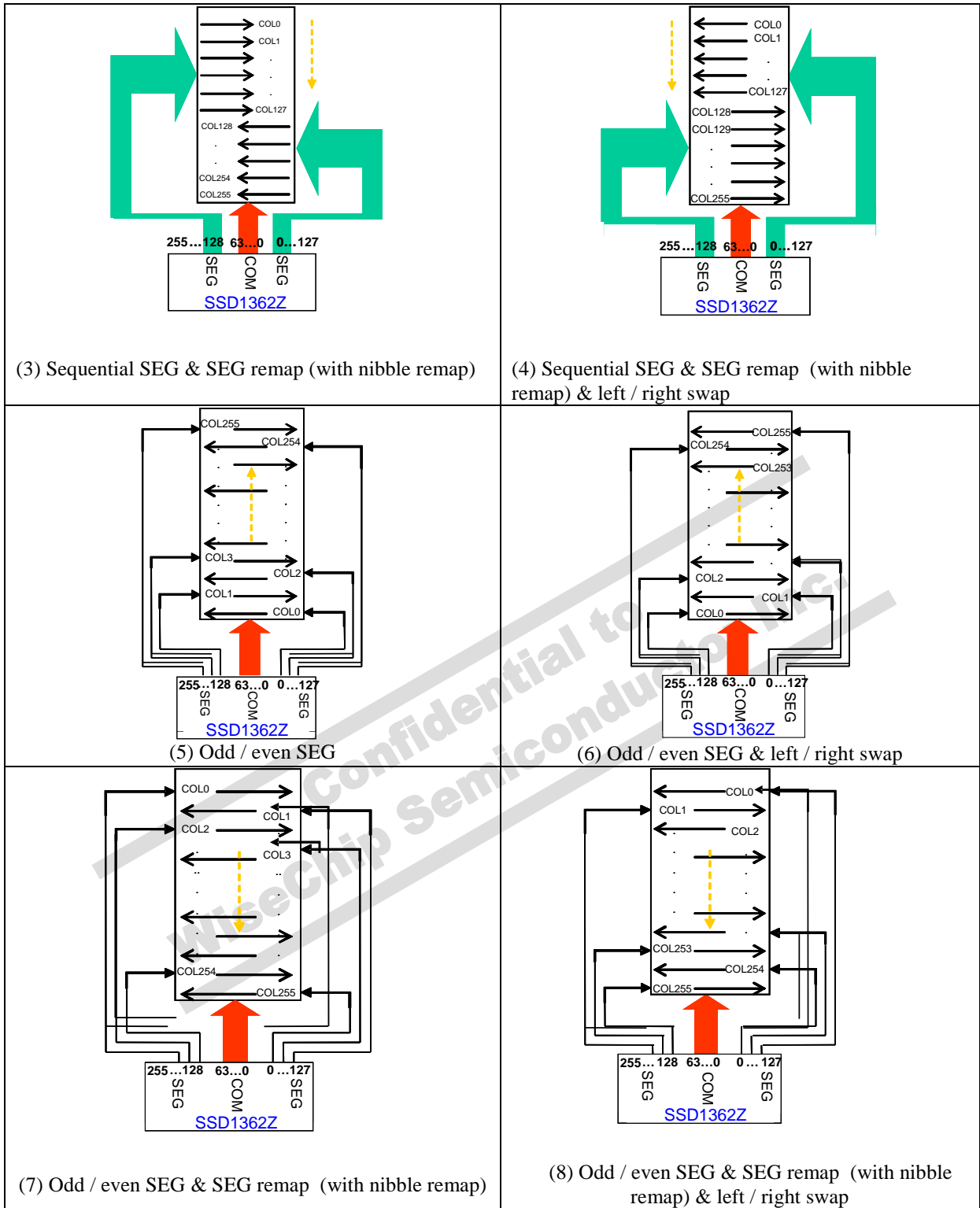
- **SEG Left / Right Remapping (A[7])**
This bit is made to enable left SEG and right SEG remapping.

When A[7] is set to 1, the remapping of left SEG and right SEG is enabled. Examples for the different combination use of SEG remap are shown as below.

Table 9-1 : SEG Pins Hardware Configuration

Case no.	Oddeven (1) / Sequential (0) A[6]	SEG Remap A[0]	Nibble Remap A[1]	Left / Right Swap A[7]	Remark
1	0	0	0	0	
2	0	0	0	1	
3	0	1	1	0	
4	0	1	1	1	
5	1	0	0	0	Default
6	1	0	0	1	
7	1	1	1	0	
8	1	1	1	1	









Note:

- (1) The above eight figures are all with bump pads being faced up.

9.1.5 Set Display Start Line (A1h)

This double byte command is to set Display Start Line register for determining the starting address of display RAM to be displayed by selecting a value from 0 to 63. Figure 9-4 shows an example using this command when MUX ratio= 64 and MUX ratio= 44 and Display Start Line = 20. In there, “ROW” means the graphic display data RAM row.

Figure 9-4: Example of Set Display Start Line with no Remapping





	MUX ratio (A8h) = 64	MUX ratio (A8h) = 64	MUX ratio (A8h) = 44	MUX ratio (A8h) = 44
COM Pin	Display Start Line (A1h) = 0	Display Start Line (A1h) = 20	Display Start Line (A1h) = 0	Display Start Line (A1h) = 20
COM0	ROW0	ROW20	ROW0	ROW20
COM1	ROW1	ROW21	ROW1	ROW21
COM2	ROW2	ROW22	ROW2	ROW22
COM3	ROW3	ROW23	ROW3	:
:	:	:	:	:
:	:	:	:	:
COM21	ROW21	ROW41	ROW21	ROW41
COM22	ROW22	ROW42	ROW22	ROW42
COM23	ROW23	ROW43	ROW23	ROW43
COM24	ROW24	ROW44	ROW24	ROW43
COM25	ROW25	ROW45	ROW25	ROW44
:	:	:	:	ROW45
:	:	:	:	:
COM41	ROW41	ROW61	ROW41	ROW61
COM42	ROW42	ROW62	ROW42	ROW62
COM43	ROW43	ROW63	ROW43	ROW63
COM44	ROW44	ROW0	-	-
COM45	ROW45	ROW1	-	-
:	:	:	:	:
:	:	:	:	:
COM60	ROW60	ROW16	-	-
COM61	ROW61	ROW17	-	-
COM62	ROW62	ROW18	-	-
COM63	ROW63	ROW19	-	-
Display Example				

9.1.6 Set Display Offset (A2h)

This double byte command specifies the mapping of display start line (it is assumed that COM0 is the display start line, display start line register equals to 0) to one of COM0~COM63.

Figure 9-5 shows an example using this command when MUX ratio= 64 and MUX ratio= 44 and Display Offset = 20. In there, “Row” means the graphic display data RAM row.

Figure 9-5: Example of Set Display Offset with no Remapping

	MUX ratio (A8h) = 64	MUX ratio (A8h) = 64	MUX ratio (A8h) = 44	MUX ratio (A8h) = 44
COM Pin	Display Offset (A2h)=0	Display Offset (A2h)=20	Display Offset (A2h)=0	Display Offset (A2h)=20
COM0	ROW0	ROW20	ROW0	ROW20
COM1	ROW1	ROW21	ROW1	ROW21
COM2	ROW2	ROW22	ROW2	ROW22
COM3	ROW3	ROW23	ROW3	ROW23
:	:	:	:	:
:	:	:	:	:
COM21	ROW21	ROW41	ROW21	ROW41
COM22	ROW22	ROW42	ROW22	ROW42
COM23	ROW23	ROW43	ROW23	ROW43
COM24	ROW24	ROW44	ROW24	-
COM25	ROW25	ROW45	ROW25	-
:	:	:	:	-
:	:	:	:	-
COM41	ROW41	ROW61	ROW41	-
COM42	ROW42	ROW62	ROW42	-
COM43	ROW43	ROW63	ROW43	-
COM44	ROW44	ROW0	-	ROW0
COM45	ROW45	ROW1	-	ROW1
:	:	:	:	:
:	:	:	:	:
COM60	ROW60	ROW16	-	ROW16
COM61	ROW61	ROW17	-	ROW17
COM62	ROW62	ROW18	-	ROW18
COM63	ROW63	ROW19	-	ROW19
Display Example				

9.1.7 Set Vertical Scroll area (A3h)

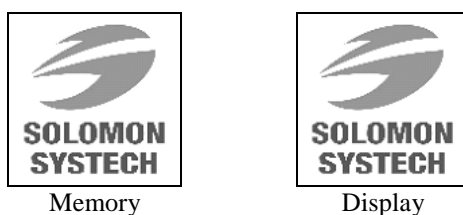
This triple byte command specifies the vertical scroll area. The number of rows for top fixed area plus scroll area should be smaller than or equating to the MUX ratio.

9.1.8 Set Display Mode (A4h ~ A7h)

These are single byte commands (A4h ~ A7h) and are used to set display status to Normal Display, Entire Display ON, Entire Display OFF or Inverse Display, respectively.

- Normal Display (A4h)
Reset the “Entire Display ON, Entire Display OFF or Inverse Display” effects and turn the data to ON at the corresponding gray level. Figure 9-6 shows an example of Normal Display.

Figure 9-6: Example of Normal Display



- Set Entire Display ON (A5h)
Force the entire display to be at gray scale level GS15, regardless of the contents of the display data RAM, as shown on Figure 9-7.

Figure 9-7: Example of Entire Display ON



- Set Entire Display OFF (A6h)
Force the entire display to be at gray scale level GS0, regardless of the contents of the display data RAM, as shown on Figure 9-8.

Figure 9-8 : Example of Entire Display OFF



- Inverse Display (A7h)
The gray scale level of display data are swapped such that “GS0” <-> “GS15”, “GS1” <-> “GS14”, etc. Figure 9-9 shows an example of inverse display.

Figure 9-9: Example of Inverse Display



9.1.9 Set Multiplex Ratio (A8h)

This double byte command sets multiplex ratio (MUX ratio) from 4MUX to 64MUX. In RESET, multiplex ratio is 64MUX. Please refer to Figure 9-4 and Figure 9-5 for the example of setting different MUX ratio.

9.1.10 Function Selection A (ABh)

This double byte command is used to enable or disable the V_{DD} regulator. Internal V_{DD} regulator is enabled when the bit A[0] is set to 1b, while internal V_{DD} regulator is disabled when A[0] is set to 0b.

9.1.11 External or Internal I_{REF} Selection (ADh)

This double byte command is used to select external or internal I_{REF} . External I_{REF} is selected when the bit A[4] is set to 0b, while internal I_{REF} is selected when A[4] is set to 1b.

9.1.12 Set Display ON/OFF (AEh / AFh)

These single byte commands are used to turn the OLED panel display ON or OFF. When the display is OFF (command AEh), the segment pins are in V_{SS} state and common pins are in high impedance state.

Figure 9-10: Display ON Sequence (when initial start)

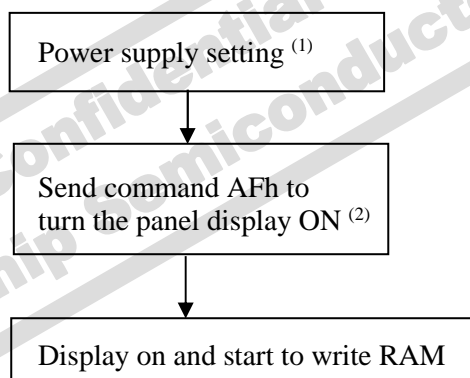
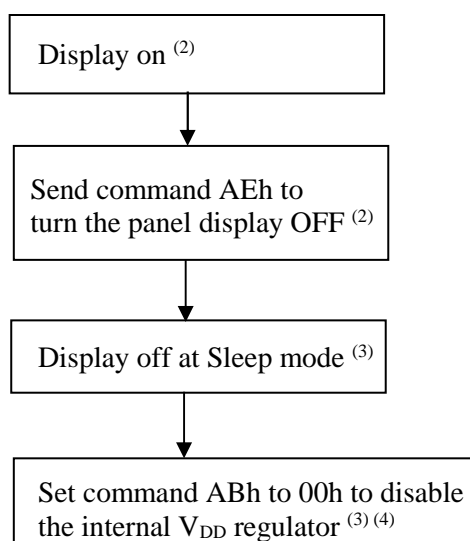


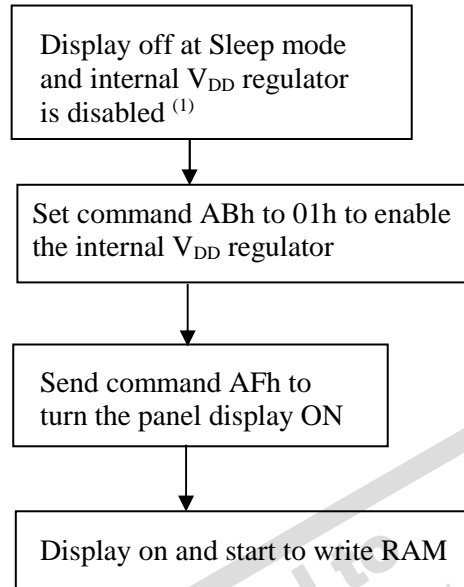
Figure 9-11: Display OFF Sequence



Note:

- (1) Please follow the power ON sequence as suggested
- (2) Internal V_{DD} regulator is ON as default
- (3) The RAM content is kept during display off at both sleep mode and the case that internal V_{DD} regulator is disabled.
- (4) It is recommended to disable internal V_{DD} regulator during Sleep mode for power save.

Figure 9-12: Display ON Sequence (During Sleep mode and internal V_{DD} regulator is disabled)



Note:

- (1) The RAM content is kept during display off at sleep mode and internal V_{DD} regulator is disabled.

9.1.13 Set Phase Length (B1h)

This double byte command sets the length of phase 1 and 2 of segment waveform of the driver.

- Phase 1 (A[3:0]): Set the period from 2 to 30 in the unit of DCLKs. A larger capacitance of the OLED pixel may require longer period to discharge the previous data charge completely.
- Phase 2 (A[7:4]): Set the period from 2 to 30 in the unit of DCLKs. A longer period is needed to charge up a larger capacitance of the OLED pixel to the target voltage V_p .

9.1.14 Set Front Clock Divider / Oscillator Frequency (B3h)

This double byte command consists of two functions:

- Front Clock Divide Ratio (A[3:0])
Set the divide ratio to generate DCLK (Display Clock) from CLK. The divide ratio is from 1 to 256, with reset value = 0001b.
- Oscillator Frequency (A[7:4])
Program the oscillator frequency F_{osc} which is the source of CLK if CLS pin is pulled HIGH. The 4-bit value results in 16 different frequency settings being available. The default setting is 1010b.

9.1.15 Set GPIO (B5h)

This double byte command is used to set the states of GPIO0 and GPIO1 pins. Refer to Table 8-1 for details.

9.1.16 Set Second Pre-charge period (B6h)

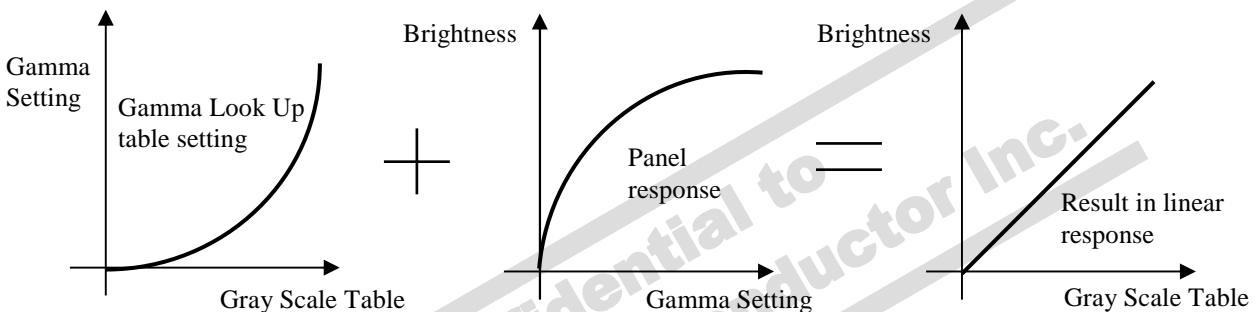
This double byte command is used to set the phase 3 second pre-charge period. The period of phase 3 can be programmed by command B6h and it is ranged from 1 to 15 DCLK's.

9.1.17 Set Gray Scale Table (B8h)

This command is used to set each individual gray scale level for the display. Except gray scale levels GS0 that has no pre-charge and current drive, each gray scale level is programmed in the length of current drive stage pulse width with unit of DCLK. The longer the length of the pulse width, the brighter the OLED pixel when it's turned ON. Following the command B8h, the user has to set the gray scale setting for GS1, GS2... GS14, GS15 one by one in sequence. Note that GS15 level must be set larger than 140 (ie. 8Ch).

The setting of gray scale table entry can perform gamma correction on OLED panel display. Since the perception of the brightness scale shall match the image data value in display data RAM, appropriate gray scale table setting like the example shown below (Figure 9-13) can compensate this effect.

Figure 9-13 : Example of Gamma correction by Gamma Look Up table setting



9.1.18 Select Default Linear Gray Scale Table (B9h)

This single byte command reloads the preset linear Gray Scale table as GS0 = Gamma Setting 0, GS1 = Gamma Setting 12, GS2 = Gamma Setting 24., GS14 = Gamma Setting 168, GS15 = Gamma Setting 180.

9.1.19 Set Pre-charge Voltage (BCh)

This double byte command sets the first pre-charge voltage (phase 2) level of segment pins. The level of pre-charge voltage is programmed with reference to VCC. Refer to Table 8-1 for details.

9.1.20 Pre-charge Voltage Capacitor Selection (BDh)

This double byte command is used to select the pre-charge voltage capacitor.

V_P should be connected with an external capacitor when the bit A[0] is set to 1b, while there is no external capacitor for V_P when A[0] is set to 0b.

9.1.21 Set V_{COMH} Voltage (BEh)

This double byte command sets the high voltage level of common pins, V_{COMH} . The level of V_{COMH} is programmed with reference to VCC. Refer to Table 8-1 for details.

9.1.22 Set Command Lock (FDh)

This double byte command is used to lock the OLED driver IC from accepting any command except itself. After entering FDh 16h (A[2]=1b), the OLED driver IC will not respond to any newly-entered command (except FDh 12h A[2]=0b) and there will be no memory access. This is call “Lock” state. That means the OLED driver IC ignore all the commands (except FDh 12h A[2]=0b) during the “Lock” state.

Entering FDh 12h (A[2]=0b) can unlock the OLED driver IC. That means the driver IC resume from the “Lock” state. And the driver IC will then respond to the command and memory access.

9.1.23 Set Fade In / Out and Blinking (23h)

This command allows to set the fade mode and adjust the time interval for each fade step. Below figures show the example of Fade Out mode and blinking mode.

Figure 9-14 : Example of Fade Out mode

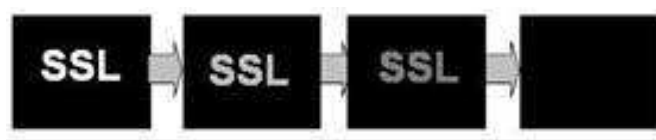


Figure 9-15 : Example of Blinking mode



10 MAXIMUM RATINGS

Table 10-1 : Maximum Ratings

(Voltage Reference to V_{SS})

Symbol	Parameter	Value	Unit
V_{DD}	Supply Voltage	-0.5 to 2.75	V
V_{CC}		-0.5 to 21.0	V
V_{DDIO}		-0.5 to 5.5	V
V_{CI}		-0.3 to 5.5	V
V_{SEG}	SEG output voltage	0 to V_{CC}	V
V_{COM}	COM output voltage	0 to $0.9 \cdot V_{CC}$	V
V_{in}	Input voltage	$V_{SS}-0.3$ to $V_{DDIO}+0.3$	V
T_A	Operating Temperature	-40 to +85	°C
T_{stg}	Storage Temperature Range	-65 to +150	°C

*Maximum Ratings are those values beyond which damage to the device may occur. Functional operation should be restricted to the limits in the Electrical Characteristics tables or Pin Description.

*This device may be light sensitive. Caution should be taken to avoid exposure of this device to any light source during normal operation. This device is not radiation protected.

Confidential to
WiseChip Semiconductor Inc.

11 DC CHARACTERISTICS

Condition (Unless otherwise specified):

Voltage referenced to V_{SS} ,

$V_{DDIO} = 1.65V$ to $3.5V$

$T_A = 25^\circ C$

Table 11-1 : DC Characteristics

Symbol	Parameter	Test Condition	Min	Typ	Max	Unit
V_{CC}	Operating Voltage	-	10	-	20	V
V_{CI}	Low voltage power supply	-	1.65	-	3.5	V
V_{DDIO}	Power supply for I/O pins	-	1.65	-	V_{CI}	V
V_{DD}	Logic Supply Voltage	-	1.65	-	2.6	V
V_{OH}	High Logic Output Level	$I_{OUT} = 100\mu A, 3.3MHz$	$0.9 \times V_{DDIO}$	-	-	V
V_{OL}	Low Logic Output Level	$I_{OUT} = 100\mu A, 3.3MHz$	-	-	$0.1 \times V_{DDIO}$	V
V_{IH}	High Logic Input Level	-	$0.8 \times V_{DDIO}$	-	-	V
V_{IL}	Low Logic Input Level	-	-	-	$0.2 \times V_{DDIO}$	V
I_{SLP_VDD}	V_{DD} Sleep mode Current	$V_{CI} = V_{DDIO} = 2.8V, V_{CC} = OFF$ V_{DD} (external) = 2.5V, Display OFF, No panel attached	-	-	10	μA
I_{SLP_VDDIO}	V_{DDIO} Sleep mode Current	$V_{CI} = V_{DDIO} = 2.8V, V_{CC} = OFF$ V_{DD} (external) = 2.5V, Display OFF, No panel attached	-	-	10	μA
I_{SLP_VCI}	V_{CI} Sleep mode Current	$V_{CI} = V_{DDIO} = 2.8V, V_{CC} = OFF$ V_{DD} (external) = 2.5V, Display OFF, No panel attached	-	-	10	μA
		$V_{CI} = V_{DDIO} = 2.8V,$ $V_{CC} = OFF$ Enable Internal V_{DD} during Sleep mode	-	-	60	μA
		$V_{CI} = V_{DDIO} = 2.8V,$ $V_{CC} = OFF$ Display OFF, No panel attached Disable Internal V_{DD} during Sleep mode (Deep Sleep mode)	-	-	10	μA
I_{SLP_VCC}	V_{CC} Sleep mode Current	$V_{CC} = 10\sim 20V,$ $V_{CI} = V_{DDIO} = 2.8V,$ Internal V_{DD} Display OFF, No panel attached	-	-	10	μA
I_{CC}	V_{CC} Supply Current	$V_{CI} = V_{DDIO} = 2.8V,$ Internal $V_{DD},$ $V_{CC} = 12V,$ Contrast = FFh, $I_{REF} = 18.75\mu A,$ No loading, Display ON, All ON	-	1500	2000	μA

Symbol	Parameter	Test Condition	Min	Typ	Max	Unit
I _{DDIO}	V _{DDIO} Supply Current	V _{CI} = V _{DDIO} = 2.8V, Internal V _{DD} V _{CC} = 12V, Contrast = FFh, I _{REF} = 18.75uA, No loading, Display ON, All ON	-	0.5	10	uA
I _{CI}	V _{CI} Supply Current	V _{CI} = V _{DDIO} = 2.8V, Internal V _{DD} V _{CC} = 12V, Contrast = FFh, I _{REF} = 18.75uA, No loading, Display ON, All ON	-	250	350	uA
I _{DD}	V _{DD} Supply Current	V _{CI} = V _{DDIO} = 2.8V, V _{DD} (external) = 2.5V, V _{CC} = 12V, Contrast = FFh, I _{REF} = 18.75uA, No loading, Display ON, All ON	-	230	330	uA
I _{SEG}	Segment Output Current, V _{CI} = V _{DDIO} = 2.8V, V _{CC} = 12V, I _{REF} (external) = 18.75uA, Display ON	Contrast=FFh	-	600	-	uA
		Contrast=AFh	-	412.5	-	
		Contrast=7Fh	-	300	-	
		Contrast=3Fh	-	150	-	
		Contrast=0Fh	-	37.5	-	
I _{SEG}	Segment Output Current, V _{CI} = V _{DDIO} = 2.8V, V _{CC} = 12V, Internal I _{REF} (command ADh 9Eh), Display ON	Contrast=FFh	-	280	-	uA
		Contrast=AFh	-	192.5	-	
		Contrast=7Fh	-	140	-	
		Contrast=3Fh	-	70	-	
		Contrast=0Fh	-	17.5	-	
Dev	Segment output current uniformity	Dev = (I _{SEG} - I _{MID})/I _{MID} I _{MID} = (I _{MAX} + I _{MIN})/2 I _{SEG} [0:255] = Segment current at contrast setting = FFh	-3	-	3	%
Adj. Dev	Adjacent pin output current uniformity (contrast setting = FFh)	Adj Dev = (I[n]-I[n+1]) / (I[n]+I[n+1])	-2	-	2	%

12 AC CHARACTERISTICS

12.1 AC Characteristics

Conditions:

Voltage referenced to V_{SS}

$V_{DDIO} = 1.65V$ to $3.5V$

$T_A = 25^\circ C$

Table 12-1 : AC Characteristics

Symbol	Parameter	Test Condition	Min.	Typ.	Max.	Unit
FOSC ⁽¹⁾	Oscillation Frequency of Display Timing Generator	$V_{CI} = 2.8V$, internal V_{DD}	1260	1400	1540	kHz
FFRM	Frame Frequency for 64 MUX Mode	256x64 Graphic Display Mode, Display ON, Internal Oscillator Enabled	-	$F_{OSC} * 1 / (D * K * 64)^{(2)}$	-	Hz

Note

⁽¹⁾ FOSC stands for the frequency value of the internal oscillator and the value is measured when command B3h A[7:4] is in default value.

⁽²⁾ D: divide ratio

K: Phase 1 period + Phase 2 period + X

X: DCLKs in current drive period.

Default K is $4 + 16 + 195 = 215$

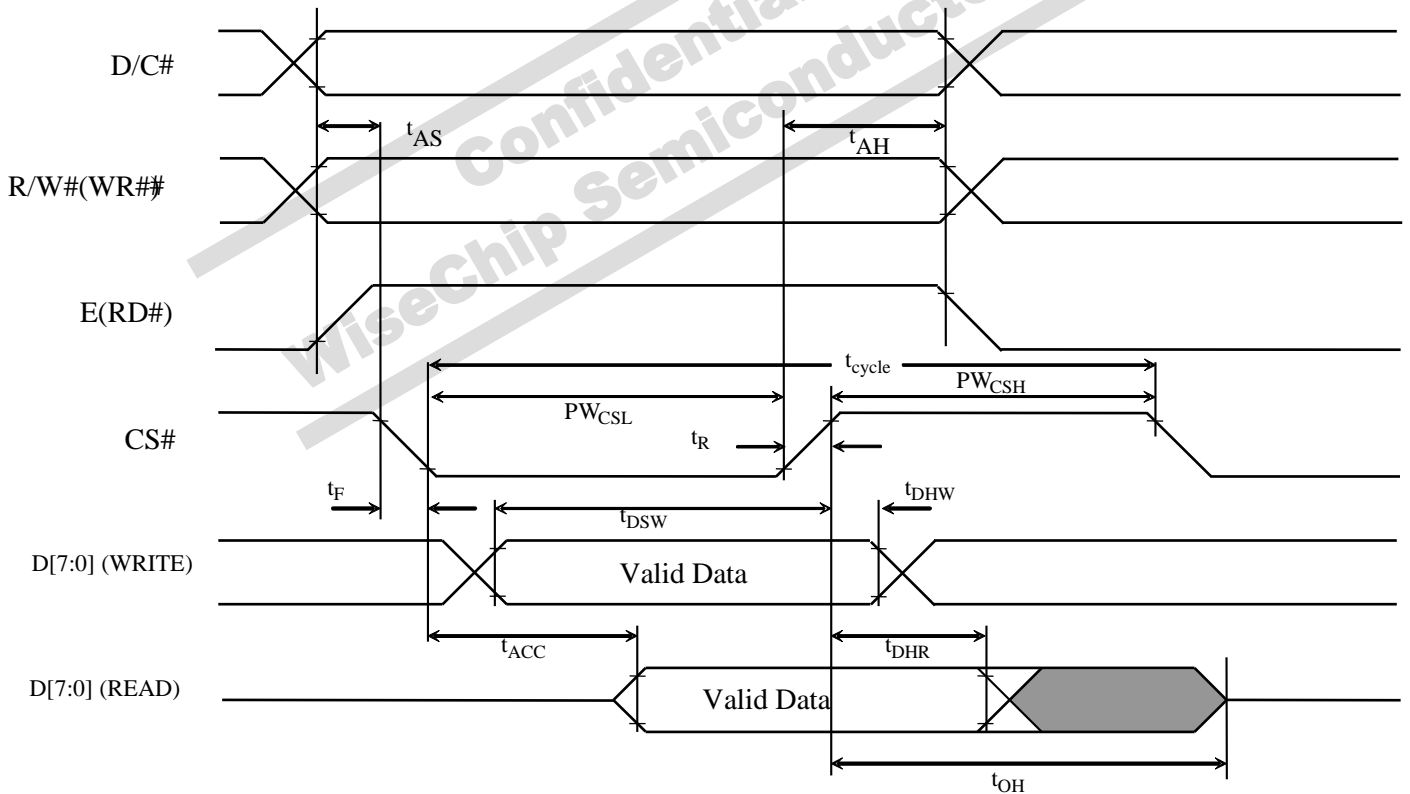
12.2 6800-Series MCU Parallel Interface Timing Characteristics

Table 12-2 : 6800-Series MCU Parallel Interface Timing Characteristics

$V_{CI} - V_{SS} = 1.65V$ to $3.5V$ ($T_A = 25^\circ C$)

Symbol	Parameter	Min	Typ	Max	Unit
t_{cycle}	Clock Cycle Time	320	-	-	ns
t_{AS}	Address Setup Time	25	-	-	ns
t_{AH}	Address Hold Time	0	-	-	ns
t_{DSW}	Write Data Setup Time	40	-	-	ns
t_{DHW}	Write Data Hold Time	45	-	-	ns
t_{DHR}	Read Data Hold Time	20	-	-	ns
t_{OH}	Output Disable Time	-	-	70	ns
t_{ACC}	Access Time	-	-	250	ns
PW_{CSL}	Chip Select Low Pulse Width (read)	160	-	-	ns
	Chip Select Low Pulse Width (write)	60	-	-	ns
PW_{CSH}	Chip Select High Pulse Width (read)	60	-	-	ns
	Chip Select High Pulse Width (write)	60	-	-	ns
t_R	Rise Time	-	-	15	ns
t_F	Fall Time	-	-	15	ns

Figure 12-1 : 6800-series MCU parallel interface characteristics



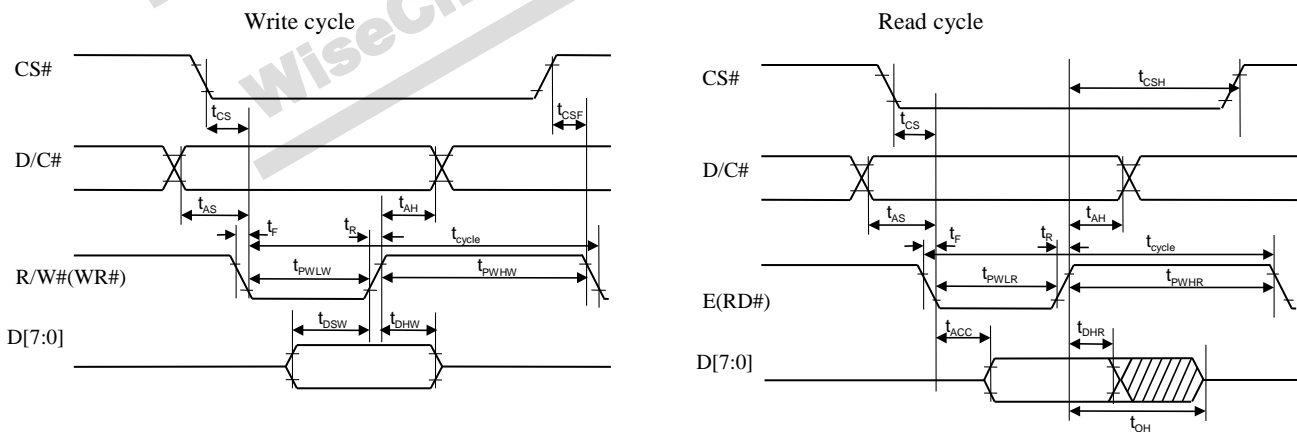
12.3 8080-Series MCU Parallel Interface Timing Characteristics

Table 12-3 : 8080-Series MCU Parallel Interface Timing Characteristics

$V_{CI} - V_{SS} = 1.65V$ to $3.5V$ ($T_A = 25^\circ C$)

Symbol	Parameter	Min	Typ	Max	Unit
t_{cycle}	Clock Cycle Time	300	-	-	ns
t_{AS}	Address Setup Time	30	-	-	ns
t_{AH}	Address Hold Time	0	-	-	ns
t_{DSW}	Write Data Setup Time	40	-	-	ns
t_{DHW}	Write Data Hold Time	40	-	-	ns
t_{DHR}	Read Data Hold Time	20	-	-	ns
t_{OH}	Output Disable Time	-	-	70	ns
t_{ACC}	Access Time	-	-	180	ns
t_{PWLR}	Read Low Time	150	-	-	ns
t_{PWLW}	Write Low Time	60	-	-	ns
t_{PWHR}	Read High Time	60	-	-	ns
t_{PWHW}	Write High Time	60	-	-	ns
t_r	Rise Time	-	-	15	ns
t_f	Fall Time	-	-	15	ns
t_{CS}	Chip select setup time	0	-	-	ns
t_{CSH}	Chip select hold time to read signal	0	-	-	ns
t_{CSF}	Chip select hold time	20	-	-	ns

Figure 12-2 : 8080-series MCU parallel interface characteristics



12.4 Serial Interface Timing Characteristics

Table 12-4 : Serial Interface Timing Characteristics (4-wire SPI)

$V_{CI} - V_{SS} = 1.65V$ to $3.5V$ ($T_A = 25^\circ C$)

Symbol	Parameter	Min	Typ	Max	Unit
t_{cycle}	Clock Cycle Time	100	-	-	ns
t_{AS}	Address Setup Time	15	-	-	ns
t_{AH}	Address Hold Time	40	-	-	ns
t_{CSS}	Chip Select Setup Time	20	-	-	ns
t_{CSH}	Chip Select Hold Time	10	-	-	ns
t_{DSW}	Write Data Setup Time	15	-	-	ns
t_{DHW}	Write Data Hold Time	30	-	-	ns
t_{CLKL}	Clock Low Time	25	-	-	ns
t_{CLKH}	Clock High Time	20	-	-	ns
t_R	Rise Time	-	-	15	ns
t_F	Fall Time	-	-	15	ns

Figure 12-3 : Serial interface characteristics (4-wire SPI)

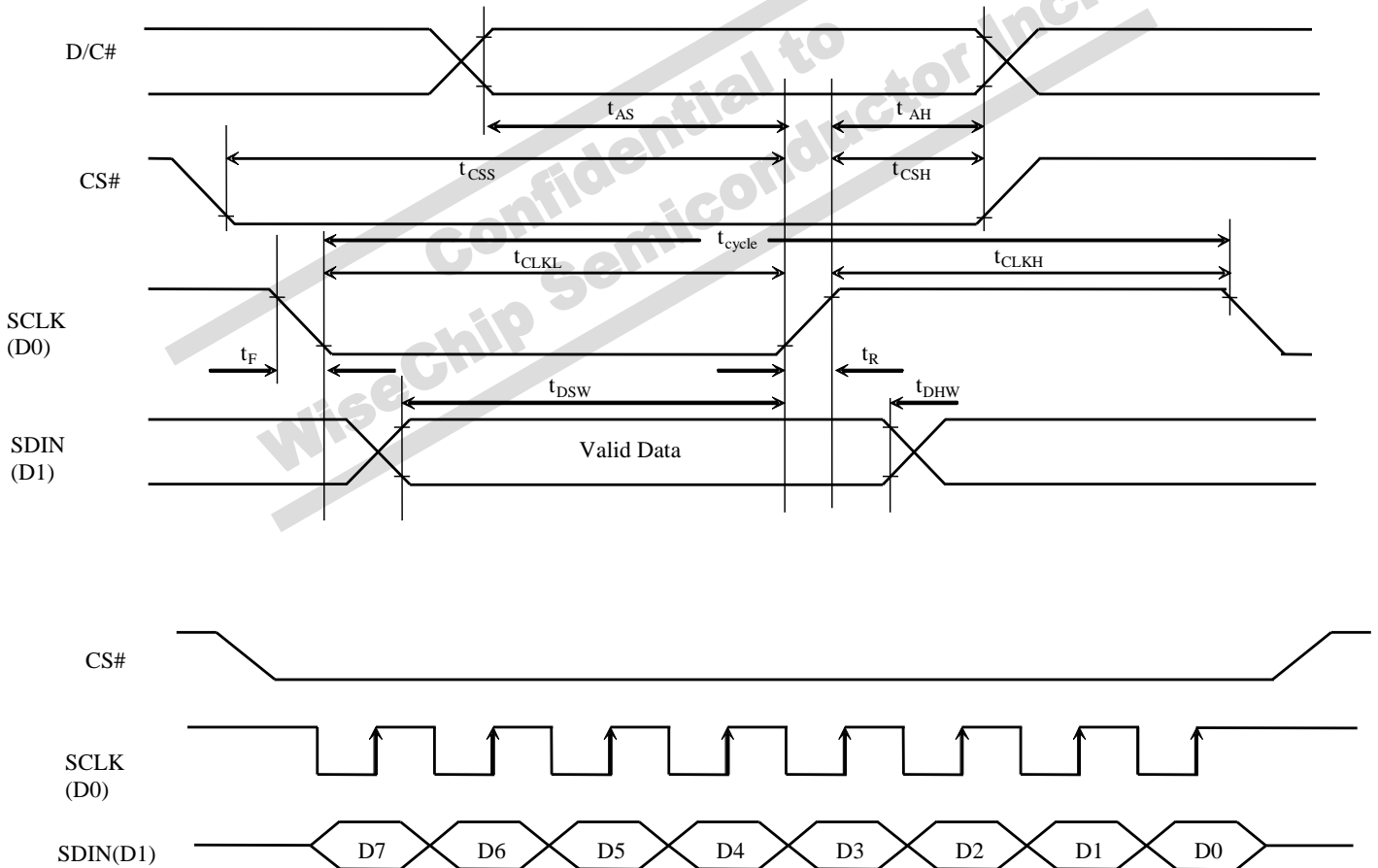
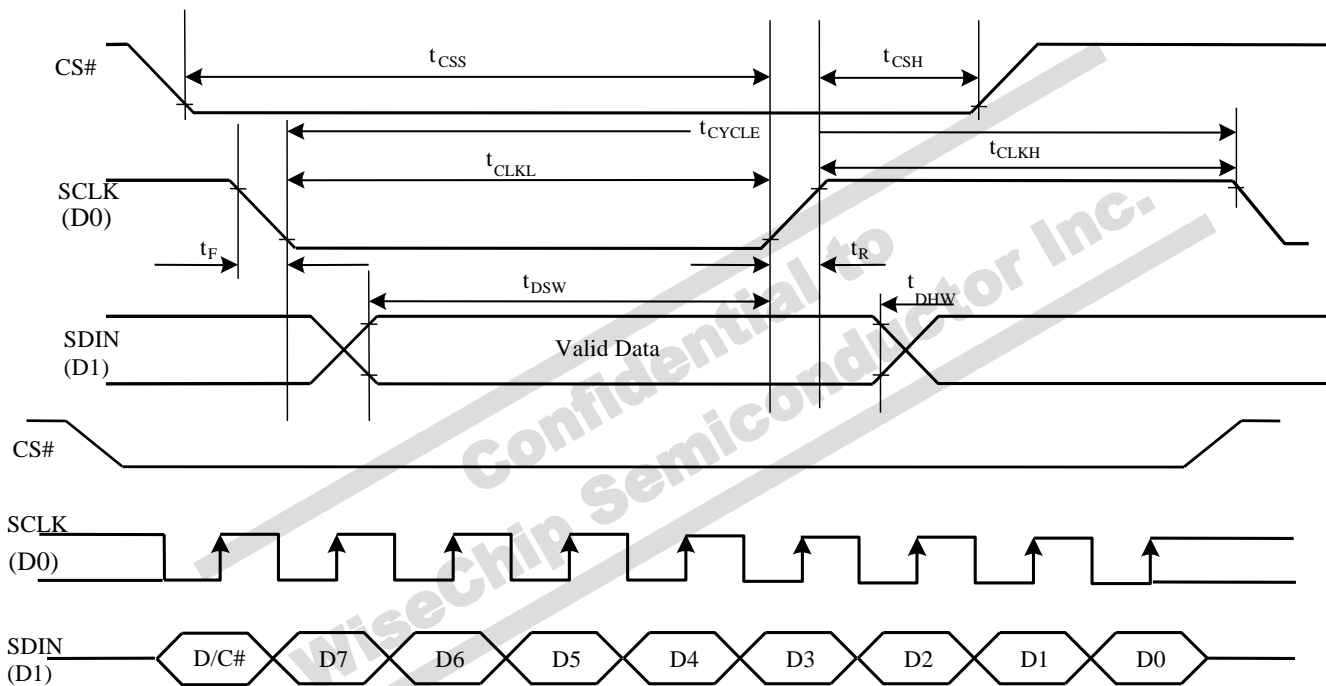


Table 12-5: Serial Interface Timing Characteristics (3-wire SPI)

$V_{CI} - V_{SS} = 1.65V$ to $3.5V$ ($T_A = 25^\circ C$)

Symbol	Parameter	Min	Typ	Max	Unit
t_{cycle}	Clock Cycle Time	100	-	-	ns
t_{css}	Chip Select Setup Time	20	-	-	ns
t_{csh}	Chip Select Hold Time	45	-	-	ns
t_{dsw}	Write Data Setup Time	15	-	-	ns
t_{dhw}	Write Data Hold Time	30	-	-	ns
t_{CLKL}	Clock Low Time	25	-	-	ns
t_{CLKH}	Clock High Time	35	-	-	ns
t_R	Rise Time	-	-	15	ns
t_F	Fall Time	-	-	15	ns

Figure 12-4: Serial interface characteristics (3-wire SPI)

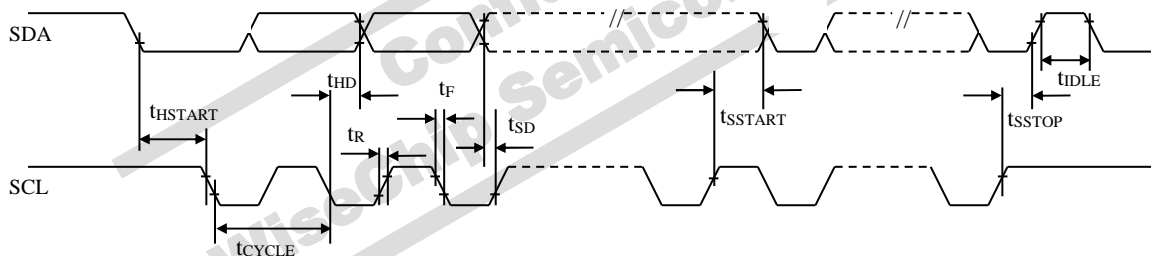


12.5 I²C Timing Characteristics

($V_{CI} - V_{SS} = 1.65V$ to $3.5V$, $T_A = 25^\circ C$)

Symbol	Parameter	Min	Typ	Max	Unit
t_{cycle}	Clock Cycle Time	2.5	-	-	us
t_{HSTART}	Start condition Hold Time	0.6	-	-	us
t_{HD}	Data Hold Time (for "SDA _{OUT} " pin)	0	-	-	ns
	Data Hold Time (for "SDA _{IN} " pin)	300	-	-	ns
t_{SD}	Data Setup Time	100	-	-	ns
t_{SSTART}	Start condition Setup Time (Only relevant for a repeated Start condition)	0.6	-	-	us
t_{SSTOP}	Stop condition Setup Time	0.6	-	-	us
t_R	Rise Time for data and clock pin	-	-	300	ns
t_F	Fall Time for data and clock pin	-	-	300	ns
t_{IDLE}	Idle Time before a new transmission can start	1.3	-	-	us

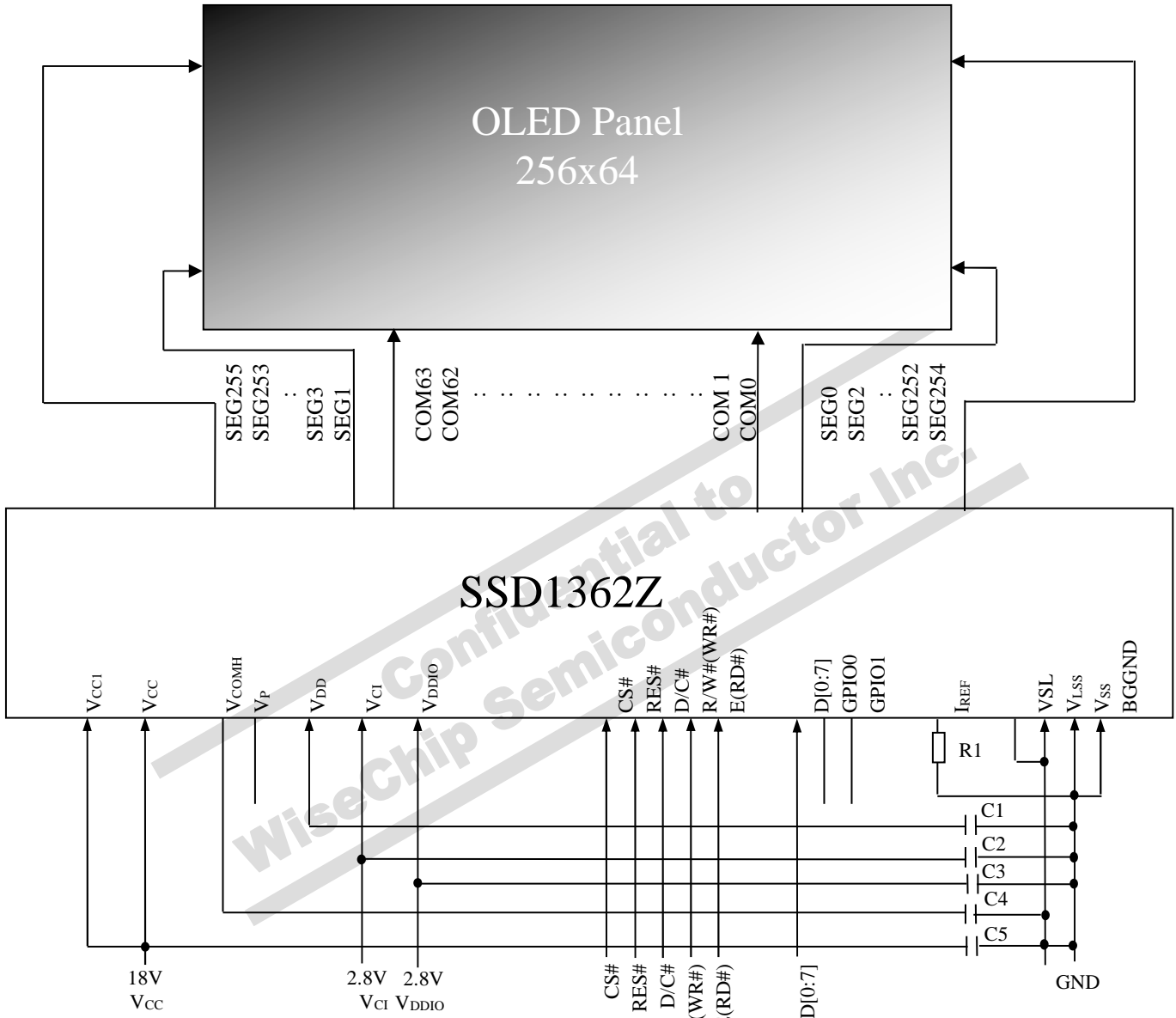
Figure 12-5: I²C interface Timing characteristics



13 APPLICATION EXAMPLE

Figure 13-1 : SSD1362Z application example for 8-bit 6800-parallel interface mode (Internal regulated V_{DD})

The configuration for 8-bit 6800-parallel interface mode, externally V_{CC} is shown in the following diagram:
 (V_{CI}=V_{DDIO}=2.8V, Internal regulated V_{DD}, external V_{CC} = 18V, I_{REF} = 18.75uA)



Voltage at I_{REF} ≈ V_{CC} - 2.4V. For V_{CC} = 18V, I_{REF} = 18.75uA:
 $R1 = (\text{Voltage at } I_{REF} - V_{SS}) / I_{REF}$
 $\approx (18 - 2.4)V / 18.75\mu A = 832k\Omega$
 C1 = C2 = C3: 1uF⁽¹⁾, C4 = C5: 4.7uF⁽¹⁾

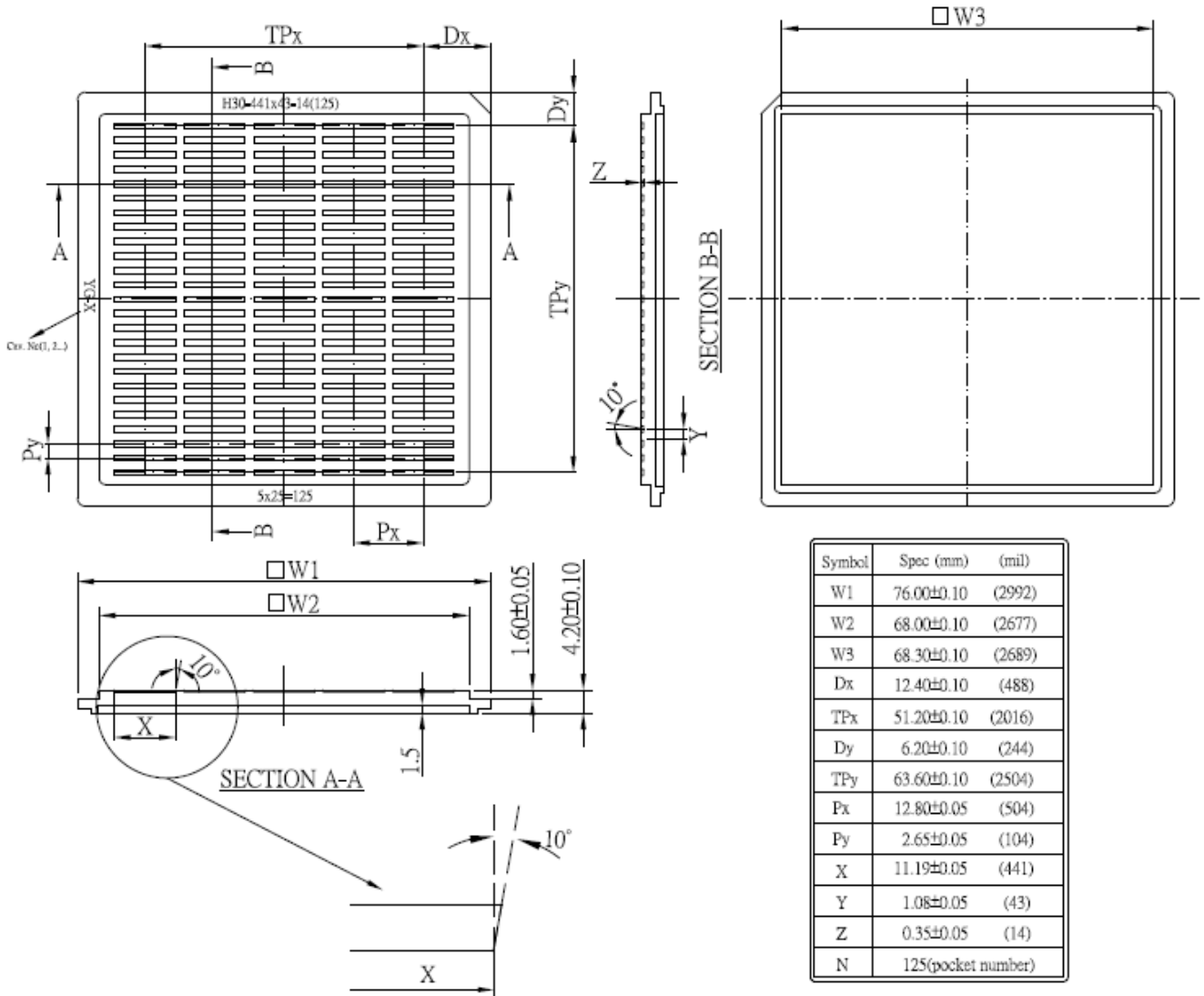
- COG connection recommendations:**
 Pin connected to MCU interface: D0~D7, E, R/W#, D/C#, CS#, RES#
 Pin internally connected to V_{LH}: CLS, BS2
 Pin internally connected to V_{LL}: CL, BS1, BS0
 Pin internally connected to V_{SS}: BGGND
 Pin internally connected to V_{LSS}: VSL
 Pin floated: GPIO0, GPIO1, V_P⁽²⁾, FR, TR[10:0]

Notes
⁽¹⁾ The value is recommended value. Select appropriate value against module application.
⁽²⁾ Depends on module application, note that V_P may connect with a capacitor to V_{SS}.
⁽³⁾ V_{LSS} of IC pad no. 44 to 49 are recommended to be connected to the V_{LSS} of pad no. 96 to 101 to form a larger area of GND.
⁽⁴⁾ V_{LSS} and V_{SS} are not recommended to be connected on the ITO routing, but connected together in the PCB level at one common ground point for better grounding and noise insulation.

14 PACKAGE INFORMATION

14.1 SSD1362Z Die Tray Information

Figure 14-1: SSD1362Z Die Tray Drawing



Remark

1. Depth of text: Max. 0.1mm
2. Tray material: ABS
3. Tray color code: Black
4. Surface resistance $10^9 \sim 10^{12} \Omega/SQ$
5. Tray Warpage: Max. +/- 0.1mm
6. Pocket bottom: Rough Surface

Confidential to

Solomon Systech Semiconductor Inc.

Solomon Systech reserves the right to make changes without notice to any products herein. Solomon Systech makes no warranty, representation or guarantee regarding the suitability of its products for any particular purpose, nor does Solomon Systech assume any liability arising out of the application or use of any product or circuit, and specifically disclaims any, and all, liability, including without limitation consequential or incidental damages. "Typical" parameters can and do vary in different applications. All operating parameters, including "Typical" must be validated for each customer application by the customer's technical experts. Solomon Systech does not convey any license under its patent rights nor the rights of others. Solomon Systech products are not designed, intended, or authorized for use as components in systems intended for surgical implant into the body, or other applications intended to support or sustain life, or for any other application in which the failure of the Solomon Systech product could create a situation where personal injury or death may occur. Should Buyer purchase or use Solomon Systech products for any such unintended or unauthorized application, Buyer shall indemnify and hold Solomon Systech and its offices, employees, subsidiaries, affiliates, and distributors harmless against all claims, costs, damages, and expenses, and reasonable attorney fees arising out of, directly or indirectly, any claim of personal injury or death associated with such unintended or unauthorized use, even if such claim alleges that Solomon Systech was negligent regarding the design or manufacture of the part.



The product(s) listed in this datasheet comply with Directive 2011/65/EU of the European Parliament and of the council of 8 June 2011 on the restriction of the use of certain hazardous substances in electrical and electronic equipment and People's Republic of China Electronic Industry Standard SJ/T 11363-2006 "Requirements for concentration limits for certain hazardous substances in electronic information products (电子信息产品中有害物质的限量要求)". Hazardous Substances test report is available upon request.

<http://www.solomon-systech.com>