

SSD1316

Advance Information

128 x 39 Dot Matrix OLED/PLED Segment/Common Driver with Controller

This document contains information on a new product. Specifications and information herein are subject to change without notice.

<http://www.solomon-systech.com>

SSD1316

Rev 1.2

P 1/63

Nov 2013

Copyright © 2013 **Solomon Systech Limited**



Appendix: IC Revision history of SSD1316 Specification

Version	Change Items	Effective Date
0.10	1 st Release	15-Jul-11
1.0	Advance Information Release Modify from SSD1316 Product Preview R0.10 Update the Charge Pump 8D Command Update the DC characteristics Update the AC characteristics	10-Oct-11
1.1	Advance Information Release Modify from SSD1316 Advance Information R1.0 Revise typo for ADh command for internal IREF selection Update V _{BAT} and the Charge Pump 8Dh command Update the DC characteristics Revise Figure 9.10 and Figure 9.11 for continuous scrolling Add Content Scrolling Setup details	16-Apr-12
1.2	Advance Information Release Modify from SSD1316 Advance Information R1.1 Update Contrast Control 81h command Update Typical Frequency in AC characteristics	08-Nov-13

CONTENTS

1	GENERAL DESCRIPTION	7
2	FEATURES.....	7
3	ORDERING INFORMATION	7
4	BLOCK DIAGRAM	8
5	DIE PAD FLOOR PLAN	9
6	PIN DESCRIPTION	11
7	FUNCTIONAL BLOCK DESCRIPTIONS	13
7.1	MCU INTERFACE SELECTION.....	13
7.1.1	MCU Parallel 6800-series Interface.....	13
7.1.2	MCU Parallel 8080-series Interface.....	14
7.1.3	MCU Serial Interface (4-wire SPI).....	15
7.1.4	MCU Serial Interface (3-wire SPI).....	16
7.1.5	MCU I ² C Interface.....	17
7.2	COMMAND DECODER	20
7.3	OSCILLATOR CIRCUIT AND DISPLAY TIME GENERATOR.....	20
7.4	FR SYNCHRONIZATION	21
7.5	RESET CIRCUIT	21
7.6	SEGMENT DRIVERS / COMMON DRIVERS	22
7.7	GRAPHIC DISPLAY DATA RAM (GDDRAM).....	23
7.8	SEG/COM DRIVING BLOCK	24
7.9	POWER ON AND OFF SEQUENCE.....	25
7.9.1	Power ON and OFF sequence with External V _{CC}	25
7.9.2	Power ON and OFF sequence with Charge Pump Application.....	26
7.10	CHARGE PUMP REGULATOR	27
8	COMMAND TABLE	27
8.1	DATA READ / WRITE	37
9	COMMAND DESCRIPTIONS.....	38
9.1	FUNDAMENTAL COMMAND	38
9.1.1	Set Lower Column Start Address for Page Addressing Mode (00h~0Fh)	38
9.1.2	Set Higher Column Start Address for Page Addressing Mode (10h~17h).....	38
9.1.3	Set Memory Addressing Mode (20h).....	38
9.1.4	Set Column Address (21h).....	39
9.1.5	Set Page Address (22h).....	40
9.1.6	Set Display Start Line (40h~66h).....	40
9.1.7	Set Contrast Control (81h).....	40
9.1.8	Set Segment Re-map (A0h/A1h).....	40
9.1.9	Entire Display ON (A4h/A5h).....	41
9.1.10	Set Normal/Inverse Display (A6h/A7h).....	41
9.1.11	Set Multiplex Ratio (A8h).....	41
9.1.12	External or Internal V _{COMH} Selection / External or internal I _{REF} Selection (ADh).....	41
9.1.13	Set Display ON/OFF (AEh/AFh)	41
9.1.14	Set Page Start Address for Page Addressing Mode (B0h~B4h).....	41
9.1.15	Set COM Output Scan Direction (C0h/C8h).....	42
9.1.16	Set Display Offset (D3h).....	42
9.1.17	Set Display Clock Divide Ratio/ Oscillator Frequency (D5h).....	45
9.1.18	Set Pre-charge Period (D9h).....	45
9.1.19	Set COM Pins Hardware Configuration (DAh).....	45

9.1.20	<i>Set V_{COMH} Deselect Level (DBh)</i>	45
9.1.21	<i>NOP (E3h)</i>	45
9.1.22	<i>Status register Read</i>	45
9.1.23	<i>Charge Pump Setting (8Dh)</i>	45
9.2	GRAPHIC ACCELERATION COMMAND.....	46
9.2.1	<i>Horizontal Scroll Setup (26h/27h)</i>	46
9.2.2	<i>Continuous Vertical and Horizontal Scroll Setup (29h/2Ah)</i>	47
9.2.3	<i>Deactivate Scroll (2Eh)</i>	47
9.2.4	<i>Activate Scroll (2Fh)</i>	47
9.2.5	<i>Set Vertical Scroll Area (A3h)</i>	47
9.2.6	<i>Content Scroll Setup (2Ch/2Dh)</i>	48
9.3	ADVANCE GRAPHIC COMMAND.....	51
9.3.1	<i>Set Fade Out / Fade In and Blinking (23h)</i>	51
9.3.2	<i>Set Zoom In (D6h)</i>	51
10	MAXIMUM RATINGS	52
11	DC CHARACTERISTICS	53
12	AC CHARACTERISTICS	54
13	APPLICATION EXAMPLES	60
14	PACKAGE INFORMATION	62
14.1	DIE TRAY DIMENSIONS.....	62

TABLES

TABLE 3-1 : ORDERING INFORMATION	7
TABLE 5-1 : SSD1316Z BUMP DIE PAD COORDINATES.....	10
TABLE 6-1 : PIN DESCRIPTION	11
TABLE 6-2 : MCU BUS INTERFACE PIN SELECTION.....	12
TABLE 7-1 : MCU INTERFACE ASSIGNMENT UNDER DIFFERENT BUS INTERFACE MODE	13
TABLE 7-2 : CONTROL PINS OF 6800 INTERFACE.....	13
TABLE 7-3 : CONTROL PINS OF 8080 INTERFACE.....	15
TABLE 7-4 : CONTROL PINS OF 4-WIRE SERIAL INTERFACE.....	15
TABLE 7-5 : CONTROL PINS OF 3-WIRE SERIAL INTERFACE.....	16
TABLE 8-1 : SSD1316 COMMAND TABLE	27
TABLE 8-2 : SEG PINS HARDWARE CONFIGURATION	33
TABLE 8-3 : READ COMMAND TABLE.....	37
TABLE 8-4 : ADDRESS INCREMENT TABLE (AUTOMATIC)	37
TABLE 9-1 : EXAMPLE OF SET DISPLAY OFFSET AND DISPLAY START LINE WITHOUT REMAP.....	43
TABLE 9-2 : EXAMPLE OF SET DISPLAY OFFSET AND DISPLAY START LINE WITH REMAP	44
TABLE 9-3 : CONTENT SCROLLING SOFTWARE FLOW EXAMPLE (PAGE ADDRESSING MODE – COMMAND 20H, 02H).....	49
TABLE 9-4 : CONTENT SCROLLING SETTING EXAMPLE (VERTICAL ADDRESSING MODE – COMMAND 20H, 01H).....	50
TABLE 10-1 : MAXIMUM RATINGS (VOLTAGE REFERENCED TO V _{SS})	52
TABLE 11-1 : DC CHARACTERISTICS	53
TABLE 12-1 : AC CHARACTERISTICS	54
TABLE 12-2 : 6800-SERIES MCU PARALLEL INTERFACE TIMING CHARACTERISTICS.....	54
TABLE 12-3 : 8080-SERIES MCU PARALLEL INTERFACE TIMING CHARACTERISTICS.....	56
TABLE 12-4 : SERIAL INTERFACE TIMING CHARACTERISTICS (4-WIRE SPI)	57
TABLE 12-5 : SERIAL INTERFACE TIMING CHARACTERISTICS (3-WIRE SPI)	58
TABLE 12-6 : I ² C INTERFACE TIMING CHARACTERISTICS.....	59

FIGURES

FIGURE 4-1 : SSD1316 BLOCK DIAGRAM.....	8
FIGURE 5-1 : SSD1316Z DIE DRAWING	9
FIGURE 7-1 : DATA READ BACK PROCEDURE - INSERTION OF DUMMY READ	14
FIGURE 7-2 : EXAMPLE OF WRITE PROCEDURE IN 8080 PARALLEL INTERFACE MODE.....	14
FIGURE 7-3 : EXAMPLE OF READ PROCEDURE IN 8080 PARALLEL INTERFACE MODE	14
FIGURE 7-4 : DISPLAY DATA READ BACK PROCEDURE - INSERTION OF DUMMY READ.....	15
FIGURE 7-5 : WRITE PROCEDURE IN 4-WIRE SERIAL INTERFACE MODE.....	16
FIGURE 7-6 : WRITE PROCEDURE IN 3-WIRE SERIAL INTERFACE MODE.....	16
FIGURE 7-7 : I ² C-BUS DATA FORMAT	18
FIGURE 7-8 : DEFINITION OF THE START AND STOP CONDITION	19
FIGURE 7-9 : DEFINITION OF THE ACKNOWLEDGEMENT CONDITION	19
FIGURE 7-10 : DEFINITION OF THE DATA TRANSFER CONDITION	19
FIGURE 7-11 : OSCILLATOR CIRCUIT AND DISPLAY TIME GENERATOR	20
FIGURE 7-12 : SEGMENT OUTPUT WAVEFORM IN THREE PHASES	22
FIGURE 7-13 : GDDRAM PAGES STRUCTURE OF SSD1316.....	23
FIGURE 7-14 : I _{REF} CURRENT SETTING BY RESISTOR VALUE	24
FIGURE 7-15 : THE POWER ON SEQUENCE.....	25
FIGURE 7-16 : THE POWER OFF SEQUENCE.....	25
FIGURE 7-17 : THE POWER ON SEQUENCE WITH CHARGE PUMP APPLICATION	26
FIGURE 7-18 : THE POWER OFF SEQUENCE WITH CHARGE PUMP APPLICATION	26
FIGURE 9-1 : ADDRESS POINTER MOVEMENT OF PAGE ADDRESSING MODE	38
FIGURE 9-2 : EXAMPLE OF GDDRAM ACCESS POINTER SETTING IN PAGE ADDRESSING MODE (NO ROW AND COLUMN-REMAPPING)	38
FIGURE 9-3 : ADDRESS POINTER MOVEMENT OF HORIZONTAL ADDRESSING MODE	39
FIGURE 9-4 : ADDRESS POINTER MOVEMENT OF VERTICAL ADDRESSING MODE	39
FIGURE 9-5 : EXAMPLE OF COLUMN AND ROW ADDRESS POINTER MOVEMENT	40
FIGURE 9-6 : TRANSITION BETWEEN DIFFERENT MODES	41
FIGURE 9-7 : EXAMPLE OF ROW ADDRESS MAPPING.....	42
FIGURE 9-8 : HORIZONTAL SCROLL EXAMPLE: SCROLL RIGHT BY 1 COLUMN.....	46
FIGURE 9-9 : HORIZONTAL SCROLL EXAMPLE: SCROLL LEFT BY 1 COLUMN	46
FIGURE 9-10 : HORIZONTAL SCROLLING SETUP EXAMPLE.....	46
FIGURE 9-11 : CONTINUOUS VERTICAL AND HORIZONTAL SCROLLING SETUP EXAMPLE.....	47
FIGURE 9-12 : VERTICAL SCROLL AREA SETUP EXAMPLES	48
FIGURE 9-13 : CONTENT SCROLLING EXAMPLE (2DH, LEFT HORIZONTAL SCROLL BY ONE COLUMN)	49
FIGURE 9-14 : EXAMPLE OF FADE OUT MODE.....	51
FIGURE 9-15 : EXAMPLE OF FADE IN MODE.....	51
FIGURE 9-16 : EXAMPLE OF BLINKING MODE	51
FIGURE 9-17 : EXAMPLE OF ZOOM IN	51
FIGURE 12-1 : 6800-SERIES MCU PARALLEL INTERFACE CHARACTERISTICS.....	55
FIGURE 12-2 : 8080-SERIES PARALLEL INTERFACE CHARACTERISTICS.....	56
FIGURE 12-3 : SERIAL INTERFACE CHARACTERISTICS (4-WIRE SPI).....	57
FIGURE 12-4 : SERIAL INTERFACE CHARACTERISTICS (3-WIRE SPI).....	58
FIGURE 12-5 : I ² C INTERFACE TIMING CHARACTERISTICS	59
FIGURE 13-1 : APPLICATION EXAMPLE OF SSD1316Z WITH EXTERNAL VCC AND I ² C INTERFACE	60
FIGURE 13-2 : APPLICATION EXAMPLE OF SSD1316Z WITH INTERNAL CHARGE PUMP, INTERNAL I _{REF} AND I ² C INTERFACE	61
FIGURE 14-1 : SSD1316Z DIE TRAY INFORMATION	62

1 GENERAL DESCRIPTION

SSD1316 is a single-chip CMOS OLED/PLED driver with controller for organic / polymer light emitting diode dot-matrix graphic display system. It consists of 128 segments and 39 commons. This IC is designed for Common Cathode type OLED panel.

The SSD1316 embeds with contrast control, display RAM and oscillator, which reduces the number of external components and power consumption. It has 256-step brightness control. Data/Commands are sent from general MCU through the hardware selectable 6800/8080 series compatible Parallel Interface, I²C interface or Serial Peripheral Interface. It is suitable for many compact portable applications, such as mobile phone sub-display, MP3 player and Bluetooth headset and Medical devices, etc.

2 FEATURES

- Resolution: 128 x39 dot matrix panel
- Power supply
 - $V_{DD} = 1.65V \sim 3.3V, < V_{BAT}$ for IC logic
 - $V_{BAT} = 3.0V \sim 4.2V$ for charge pump regulator circuit
 - $V_{CC} = 7V \sim 15V$ for Panel driving
- For matrix display
- OLED driving output voltage, 15V maximum
- Segment maximum source current: 160uA
- Common maximum sink current: 20mA
- 256 step contrast brightness current control
- Embedded 128 x 39 bit SRAM display buffer
- Pin selectable MCU Interfaces:
 - 8-bit 6800/8080-series parallel interface
 - 3 /4 wire Serial Peripheral Interface
 - I²C Interface
- Screen saving continuous scrolling function in both horizontal and vertical direction
- Internal charge pump regulator
- Internal regulated V_{COMH} or external V_{COMH}
- Internal I_{REF} or external I_{REF}
- Programmable Frame Rate
- Programmable Multiplexing Ratio
- Row Re-mapping and Column Re-mapping
- On-Chip Oscillator
- Chip layout for COG , COF
- Wide range of operating temperature: -40°C to 85°C

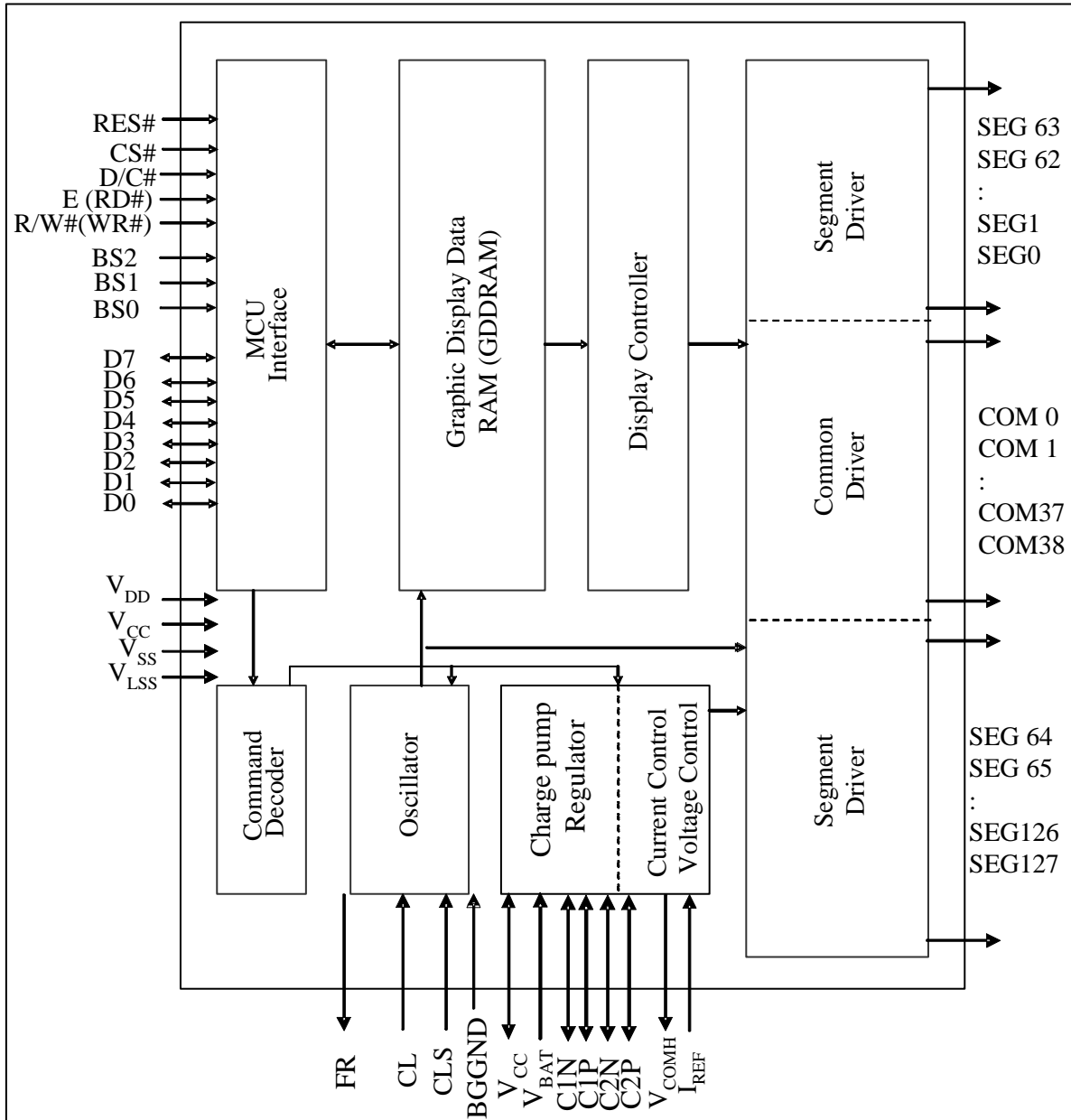
3 ORDERING INFORMATION

Table 3-1 : Ordering Information

Ordering Part Number	SEG	COM	Package Form	Remark
SSD1316Z	128	39	COG	-

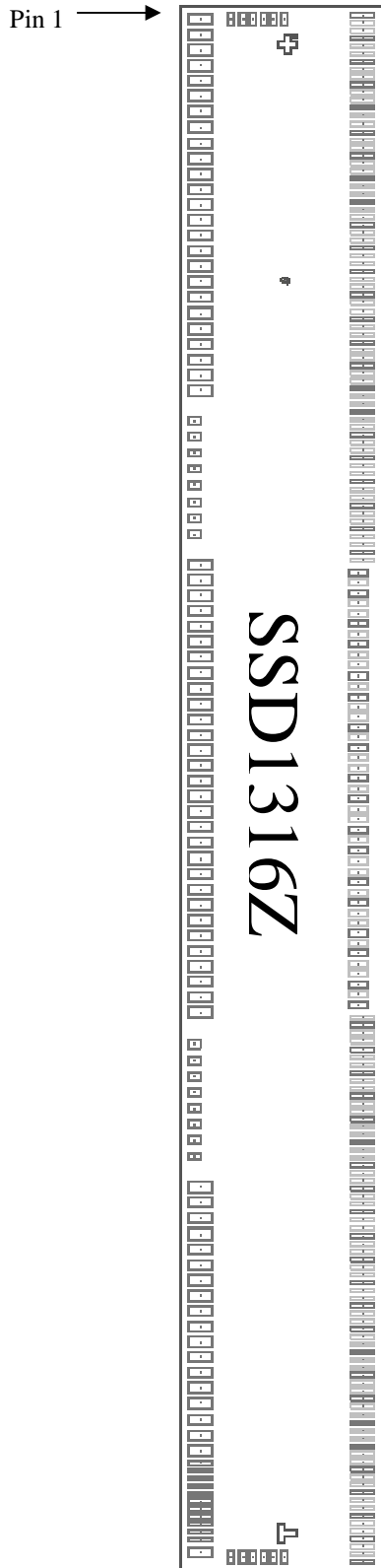
4 BLOCK DIAGRAM

Figure 4-1 : SSD1316 Block Diagram



5 DIE PAD FLOOR PLAN

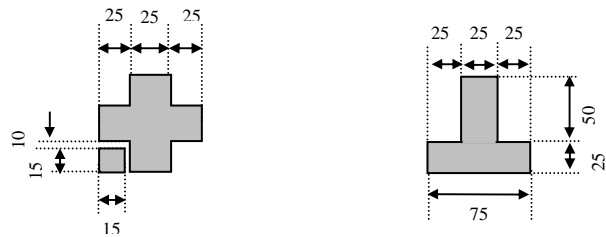
Figure 5-1 : SSD1316Z Die Drawing



Die Size (after sawing)	6.08mm +/- 0.05mm x 0.79mm +/- 0.05mm
Die Thickness	300 um ± 15 um
Min I/O pad pitch	60 um
Min SEG pad pitch	30.2 um
Min COM pad pitch	40 um
Bump Height	Nominal 12 um

Bump Size		
Pad #	X [um]	Y [um]
1~25, 34~63, 72~89, 101	40	95
26~33, 64~71	30	50
90~100	15	95
102~107, 293~298	50	25
108~178, 222~292	15.2	94
179~221	25	77

Alignment mark	Position	Size
T shape	(2890, 19.5)	75um x 75um
+ shape	(-2890, 19.5)	75um x 75um



Note

- (1) Diagram showing the Gold bumps face up.
- (2) Coordinates are referenced to center of the chip.
- (3) Coordinate units and size of all alignment marks are in um.
- (4) All alignment keys do not contain gold.

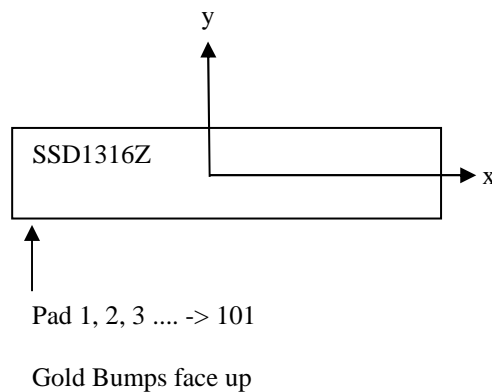


Table 5-1 : SSD1316Z Bump Die Pad Coordinates

Pin number	Pin name	X	Y	Pin number	Pin name	X	Y	Pin number	Pin name	X	Y	Pin number	Pin name	X	Y
1	NC	-2987.5	-315	81	VCOMH	2087.5	-315	161	SEG13	1402.8	316.5	241	SEG79	-1463.2	316.5
2	C2N	-2927.5	-315	82	VCOMH	2147.5	-315	162	SEG12	1372.6	316.5	242	SEG80	-1493.4	316.5
3	C2N	-2867.5	-315	83	VCOMH	2207.5	-315	163	SEG11	1342.4	316.5	243	SEG81	-1523.6	316.5
4	C2N	-2807.5	-315	84	VCOMH	2267.5	-315	164	SEG10	1312.2	316.5	244	SEG82	-1553.8	316.5
5	C2N	-2747.5	-315	85	VCC	2327.5	-315	165	SEG9	1282	316.5	245	SEG83	-1584	316.5
6	C2P	-2687.5	-315	86	VCC	2387.5	-315	166	SEG8	1251.8	316.5	246	SEG84	-1614.2	316.5
7	C2P	-2627.5	-315	87	VCC	2447.5	-315	167	SEG7	1221.6	316.5	247	SEG85	-1644.4	316.5
8	C2P	-2567.5	-315	88	VCC	2507.5	-315	168	SEG6	1191.4	316.5	248	SEG86	-1674.6	316.5
9	C2P	-2507.5	-315	89	NC	2567.5	-315	169	SEG5	1161.2	316.5	249	SEG87	-1704.8	316.5
10	C1P	-2447.5	-315	90	TR0	2616	-315	170	SEG4	1131	316.5	250	SEG88	-1735	316.5
11	C1P	-2387.5	-315	91	TR1	2646	-315	171	SEG3	1100.8	316.5	251	SEG89	-1765.2	316.5
12	C1P	-2327.5	-315	92	TR2	2676	-315	172	SEG2	1070.6	316.5	252	SEG90	-1795.4	316.5
13	C1P	-2267.5	-315	93	TR3	2706	-315	173	SEG1	1040.4	316.5	253	SEG91	-1825.6	316.5
14	C1N	-2207.5	-315	94	TR4	2736	-315	174	SEG0	1010.2	316.5	254	SEG92	-1855.8	316.5
15	C1N	-2147.5	-315	95	VSS	2766	-315	175	VCC	980	316.5	255	SEG93	-1886	316.5
16	C1N	-2087.5	-315	96	TR5	2796	-315	176	VCC	949.8	316.5	256	SEG94	-1916.2	316.5
17	VBAT	-2027.5	-315	97	TR6	2826	-315	177	VCC	919.6	316.5	257	SEG95	-1946.4	316.5
18	VBAT	-1967.5	-315	98	TR7	2856	-315	178	VCC	889.4	316.5	258	SEG96	-1976.6	316.5
19	VBAT	-1907.5	-315	99	TR8	2886	-315	179	VCOMH	840	300	259	SEG97	-2006.8	316.5
20	VCC	-1847.5	-315	100	TR9	2916	-315	180	VCOMH	800	300	260	SEG98	-2037	316.5
21	VCC	-1787.5	-315	101	NC	2964.5	-315	181	COM0	760	300	261	SEG99	-2067.2	316.5
22	VCC	-1727.5	-315	102	NC	2986.4	-193.425	182	COM1	720	300	262	SEG100	-2097.4	316.5
23	VCOMH	-1667.5	-315	103	NC	2986.4	-153.425	183	COM2	680	300	263	SEG101	-2127.6	316.5
24	VCOMH	-1607.5	-315	104	NC	2986.4	-113.425	184	COM3	640	300	264	SEG102	-2157.8	316.5
25	VCOMH	-1547.5	-315	105	NC	2986.4	-73.425	185	COM4	600	300	265	SEG103	-2188	316.5
26	VLSS	-1427.5	-337.5	106	NC	2986.4	-33.425	186	COM5	560	300	266	SEG104	-2218.2	316.5
27	VLSS	-1365	-337.5	107	NC	2986.4	6.575	187	COM6	520	300	267	SEG105	-2248.4	316.5
28	VLSS	-1302.5	-337.5	108	VCC	3003.4	316.5	188	COM7	480	300	268	SEG106	-2278.6	316.5
29	VLSS	-1240	-337.5	109	VCC	2973.2	316.5	189	COM8	440	300	269	SEG107	-2308.8	316.5
30	VSS	-1177.5	-337.5	110	VCC	2943	316.5	190	COM9	400	300	270	SEG108	-2339	316.5
31	VSS	-1115	-337.5	111	SEG63	2912.8	316.5	191	COM10	360	300	271	SEG109	-2369.2	316.5
32	VSS	-1052.5	-337.5	112	SEG62	2882.6	316.5	192	COM11	320	300	272	SEG110	-2399.4	316.5
33	VSS	-990	-337.5	113	SEG61	2852.4	316.5	193	COM12	280	300	273	SEG111	-2429.6	316.5
34	VDD	-870	-315	114	SEG60	2822.2	316.5	194	COM13	240	300	274	SEG112	-2459.8	316.5
35	VDD	-810	-315	115	SEG59	2792	316.5	195	COM14	200	300	275	SEG113	-2490	316.5
36	FR	-750	-315	116	SEG58	2761.8	316.5	196	COM15	160	300	276	SEG114	-2520.2	316.5
37	VSS	-690	-315	117	SEG57	2731.6	316.5	197	COM16	120	300	277	SEG115	-2550.4	316.5
38	CS#	-630	-315	118	SEG56	2701.4	316.5	198	COM17	80	300	278	SEG116	-2580.6	316.5
39	RES#	-570	-315	119	SEG55	2671.2	316.5	199	COM18	40	300	279	SEG117	-2610.8	316.5
40	D/C#	-510	-315	120	SEG54	2641	316.5	200	COM19	0	300	280	SEG118	-2641	316.5
41	VSS	-450	-315	121	SEG53	2610.8	316.5	201	COM20	-40	300	281	SEG119	-2671.2	316.5
42	R/W#(WR#)	-390	-315	122	SEG52	2580.6	316.5	202	COM21	-80	300	282	SEG120	-2701.4	316.5
43	E/RD#	-330	-315	123	SEG51	2550.4	316.5	203	COM22	-120	300	283	SEG121	-2731.6	316.5
44	D0	-270	-315	124	SEG50	2520.2	316.5	204	COM23	-160	300	284	SEG122	-2761.8	316.5
45	D1	-210	-315	125	SEG49	2490	316.5	205	COM24	-200	300	285	SEG123	-2792	316.5
46	D2	-150	-315	126	SEG48	2459.8	316.5	206	COM25	-240	300	286	SEG124	-2822.2	316.5
47	D3	-90	-315	127	SEG47	2429.6	316.5	207	COM26	-280	300	287	SEG125	-2852.4	316.5
48	VSS	-30	-315	128	SEG46	2399.4	316.5	208	COM27	-320	300	288	SEG126	-2882.6	316.5
49	D4	30	-315	129	SEG45	2369.2	316.5	209	COM28	-360	300	289	SEG127	-2912.8	316.5
50	D5	90	-315	130	SEG44	2339	316.5	210	COM29	-400	300	290	VCC	-2943	316.5
51	D6	150	-315	131	SEG43	2308.8	316.5	211	COM30	-440	300	291	VCC	-2973.2	316.5
52	D7	210	-315	132	SEG42	2278.6	316.5	212	COM31	-480	300	292	VCC	-3003.4	316.5
53	CL	270	-315	133	SEG41	2248.4	316.5	213	COM32	-520	300	293	NC	-2986.4	6.575
54	VSS	330	-315	134	SEG40	2218.2	316.5	214	COM33	-560	300	294	NC	-2986.4	-33.425
55	CLS	390	-315	135	SEG39	2188	316.5	215	COM34	-600	300	295	NC	-2986.4	-73.425
56	VDD	450	-315	136	SEG38	2157.8	316.5	216	COM35	-640	300	296	NC	-2986.4	-113.425
57	VDD	510	-315	137	SEG37	2127.6	316.5	217	COM36	-680	300	297	NC	-2986.4	-153.425
58	BS0	570	-315	138	SEG36	2097.4	316.5	218	COM37	-720	300	298	NC	-2986.4	-193.425
59	VSS	630	-315	139	SEG35	2067.2	316.5	219	COM38	-760	300				
60	BS1	690	-315	140	SEG34	2037	316.5	220	VCOMH	-800	300				
61	VDD	750	-315	141	SEG33	2006.8	316.5	221	VCOMH	-840	300				
62	BS2	810	-315	142	SEG32	1976.6	316.5	222	VCC	-889.4	316.5				
63	VSS	870	-315	143	SEG31	1946.4	316.5	223	VCC	-919.6	316.5				
64	BGGND	990	-337.5	144	SEG30	1916.2	316.5	224	VCC	-949.8	316.5				
65	VSS	1052.5	-337.5	145	SEG29	1886	316.5	225	VCC	-980	316.5				
66	VSS	1115	-337.5	146	SEG28	1855.8	316.5	226	SEG64	-1010.2	316.5				
67	VSS	1177.5	-337.5	147	SEG27	1825.6	316.5	227	SEG65	-1040.4	316.5				
68	VLSS	1240	-337.5	148	SEG26	1795.4	316.5	228	SEG66	-1070.6	316.5				
69	VLSS	1302.5	-337.5	149	SEG25	1765.2	316.5	229	SEG67	-1100.8	316.5				
70	VLSS	1365	-337.5	150	SEG24	1735	316.5	230	SEG68	-1131	316.5				
71	VLSS	1427.5	-337.5	151	SEG23	1704.8	316.5	231	SEG69	-1161.2	316.5				
72	VBREF	1547.5	-315	152	SEG22	1674.6	316.5	232	SEG70	-1191.4	316.5				
73	VSS	1607.5	-315	153	SEG21	1644.4	316.5	233	SEG71	-1221.6	316.5				
74	VSS	1667.5	-315	154	SEG20	1614.2	316.5	234	SEG72	-1251.8	316.5				
75	GPIO0	1727.5	-315	155	SEG19	1584	316.5	235	SEG73	-1282	316.5				
76	GPIO1	1787.5	-315	156	SEG18	1553.8	316.5	236	SEG74	-1312.2	316.5				
77	VDD	1847.5	-315	157	SEG17	1523.6	316.5	237	SEG75	-1342.4	316.5				
78	VDD	1907.5	-315	158	SEG16	1493.4	316.5	238	SEG76	-1372.6	316.5				
79	NC	1967.5	-315	159	SEG15	1463.2	316.5	239	SEG77	-1402.8	316.5				
80	IREF	2027.5	-315	160	SEG14	1433	316.5	240	SEG78	-1433	316.5				

6 PIN DESCRIPTION

Key:

I = Input	NC = Not Connected
O = Output	Pull LOW= connect to Ground
I/O = Bi-directional (input/output)	Pull HIGH= connect to V _{DD}
P = Power pin	

Table 6-1 : Pin Description

Pin Name	Type	Description												
V _{DD}	P	Power supply pin for core logic operation.												
V _{CC}	P	Power supply for panel driving voltage. This is also the most positive power voltage supply pin.												
V _{SS}	P	This is a ground pin.												
V _{LSS}	P	This is an analog ground pin. It should be connected to V _{SS} externally.												
V _{COMH}	O	The pin is for COM signal deselected voltage level. A capacitor should be connected between this pin and V _{SS} . When external V _{COMH} is selected, this pin must be connected to V _{CC} . Refer to command ADh for details.												
V _{BAT}	P	Power supply for charge pump regulator circuit. <table border="1" style="width: 100%; border-collapse: collapse;"> <thead> <tr> <th>Status</th> <th>V_{BAT}</th> <th>V_{DD}</th> <th>V_{CC}</th> </tr> </thead> <tbody> <tr> <td>Enable charge pump</td> <td>Connect to external V_{BAT} source</td> <td>Connect to external V_{DD} source</td> <td>A capacitor should be connected between this pin and V_{SS}</td> </tr> <tr> <td>Disable charge pump</td> <td>Keep float</td> <td>Connect to external V_{DD} source</td> <td>Connect to external V_{CC} source</td> </tr> </tbody> </table>	Status	V _{BAT}	V _{DD}	V _{CC}	Enable charge pump	Connect to external V _{BAT} source	Connect to external V _{DD} source	A capacitor should be connected between this pin and V _{SS}	Disable charge pump	Keep float	Connect to external V _{DD} source	Connect to external V _{CC} source
Status	V _{BAT}	V _{DD}	V _{CC}											
Enable charge pump	Connect to external V _{BAT} source	Connect to external V _{DD} source	A capacitor should be connected between this pin and V _{SS}											
Disable charge pump	Keep float	Connect to external V _{DD} source	Connect to external V _{CC} source											
BGGND	P	Reserved pin. It should be connected to V _{SS} externally.												
C1P/C1N C2P/C2N	O	C1P/C1N – Pin for charge pump capacitor; Connect to each other with a capacitor. C2P/C2N – Pin for charge pump capacitor; Connect to each other with a capacitor.												
V _{BREF}	O	Reserved pin. It should be kept NC.												
BS[2:0]	I	MCU bus interface selection pins. Please refer to Table 6-2 for the details of setting.												
I _{REF}	I	This is segment output current reference pin. When external I _{REF} is used, a resistor should be connected between this pin and V _{SS} to maintain the I _{REF} current at 10uA. Please refer to Figure 7-14 for the details of resistor value. When internal I _{REF} is used, this pin should be kept NC.												
FR	O	This pin outputs RAM write synchronization signal. Proper timing between MCU data writing and frame display timing can be achieved to prevent tearing effect. It should be kept NC if it is not used.												
CL	I	This is external clock input pin. When internal clock is enabled (i.e. HIGH in CLS pin), this pin is not used and should be connected to V _{SS} . When internal clock is disabled (i.e. LOW in CLS pin), this pin is the external clock source input pin.												

Pin Name	Type	Description
CLS	I	This is internal clock enable pin. When it is pulled HIGH (i.e. connect to V_{DD}), internal clock is enabled. When it is pulled LOW, the internal clock is disabled; an external clock source must be connected to the CL pin for normal operation.
RES#	I	This pin is reset signal input. When the pin is pulled LOW, initialization of the chip is executed. Keep this pin HIGH (i.e. connect to V_{DD}) during normal operation.
CS#	I	This pin is the chip select input. (active LOW)
D/C#	I	This is Data/Command control pin. When it is pulled HIGH (i.e. connect to V_{DD}), the data at D[7:0] is treated as data. When it is pulled LOW, the data at D[7:0] will be transferred to the command register. In I ² C mode, this pin acts as SA0 for slave address selection. When 3-wire serial interface is selected, this pin must be connected to V_{SS} .
E (RD#)	I	When interfacing to a 6800-series microprocessor, this pin will be used as the Enable (E) signal. Read/write operation is initiated when this pin is pulled HIGH (i.e. connect to V_{DD}) and the chip is selected. When connecting to an 8080-series microprocessor, this pin receives the Read (RD#) signal. Read operation is initiated when this pin is pulled LOW and the chip is selected. When serial interface is selected, this pin must be connected to V_{SS} .
R/W#(WR#)	I	This is read / write control input pin connecting to the MCU interface. When interfacing to a 6800-series microprocessor, this pin will be used as Read/Write (R/W#) selection input. Read mode will be carried out when this pin is pulled HIGH (i.e. connect to V_{DD}) and write mode when LOW. When 8080 interface mode is selected, this pin will be the Write (WR#) input. Data write operation is initiated when this pin is pulled LOW and the chip is selected. When serial or I ² C interface is selected, this pin must be connected to V_{SS} .
D[7:0]	IO	These are 8-bit bi-directional data bus to be connected to the microprocessor's data bus. When serial interface mode is selected, D0 will be the serial clock input: SCLK; D1 will be the serial data input: SDIN and D2 should be kept NC. When I ² C mode is selected, D2, D1 should be tied together and serve as SDA _{out} , SDA _{in} in application and D0 is the serial clock input, SCL.
GPIO0/GPIO1	IO	Reserved pin. It should be kept NC.
TR[9:0]	IO	Reserved pin. It should be kept NC.
SEG0 ~ SEG127	O	These pins provide Segment switch signals to OLED panel. These pins are V_{SS} state when display is OFF.
COM0 ~ COM38	O	These pins provide Common switch signals to OLED panel. They are in high impedance state when display is OFF.
NC	-	This is dummy pin. Do not group or short NC pins together.

Table 6-2 : MCU Bus Interface Pin Selection

SSD1316 Pin Name	I ² C Interface	6800-parallel interface (8 bit)	8080-parallel interface (8 bit)	4-wire Serial interface	3-wire Serial interface
BS0	0	0	0	0	1
BS1	1	0	1	0	0
BS2	0	1	1	0	0

Note

⁽¹⁾ 0 is connected to V_{SS}

⁽²⁾ 1 is connected to V_{DD}

7 FUNCTIONAL BLOCK DESCRIPTIONS

7.1 MCU Interface selection

SSD1316 MCU interface consist of 8 data pins and 5 control pins. The pin assignment at different interface mode is summarized in Table 7-1. Different MCU mode can be set by hardware selection on BS[2:0] pins (please refer to Table 6-2 for BS[2:0] setting).

Table 7-1 : MCU interface assignment under different bus interface mode

Pin Name Bus Interface	Data/Command Interface								Control Signal				
	D7	D6	D5	D4	D3	D2	D1	D0	E	R/W#	CS#	D/C#	RES#
8-bit 8080	D[7:0]								RD#	WR#	CS#	D/C#	RES#
8-bit 6800	D[7:0]								E	R/W#	CS#	D/C#	RES#
3-wire SPI	Tie LOW				NC	SDIN	SCLK	Tie LOW		CS#	Tie LOW	RES#	
4-wire SPI	Tie LOW				NC	SDIN	SCLK	Tie LOW		CS#	D/C#	RES#	
I ² C	Tie LOW				SDA _{OUT}	SDA _{IN}	SCL	Tie LOW			SA0	RES#	

7.1.1 MCU Parallel 6800-series Interface

The parallel interface consists of 8 bi-directional data pins (D[7:0]), R/W#, D/C#, E and CS#.

A LOW in R/W# indicates WRITE operation and HIGH in R/W# indicates READ operation.

A LOW in D/C# indicates COMMAND read/write and HIGH in D/C# indicates DATA read/write.

The E input serves as data latch signal while CS# is LOW. Data is latched at the falling edge of E signal.

Table 7-2 : Control pins of 6800 interface

Function	E	R/W#	CS#	D/C#
Write command	↓	L	L	L
Read status	↓	H	L	L
Write data	↓	L	L	H
Read data	↓	H	L	H

Note

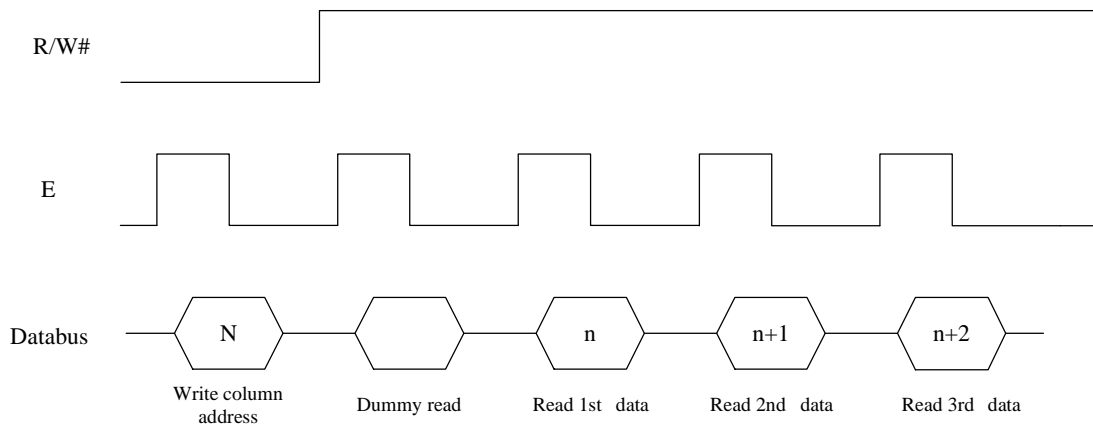
⁽¹⁾ ↓ stands for falling edge of signal

H stands for HIGH in signal

L stands for LOW in signal

In order to match the operating frequency of display RAM with that of the microprocessor, some pipeline processing is internally performed which requires the insertion of a dummy read before the first actual display data read. This is shown in Figure 7-1.

Figure 7-1 : Data read back procedure - insertion of dummy read



7.1.2 MCU Parallel 8080-series Interface

The parallel interface consists of 8 bi-directional data pins (D[7:0]), RD#, WR#, D/C# and CS#.

A LOW in D/C# indicates COMMAND read/write and HIGH in D/C# indicates DATA read/write.

A rising edge of RD# input serves as a data READ latch signal while CS# is kept LOW.

A rising edge of WR# input serves as a data/command WRITE latch signal while CS# is kept LOW.

Figure 7-2 : Example of Write procedure in 8080 parallel interface mode

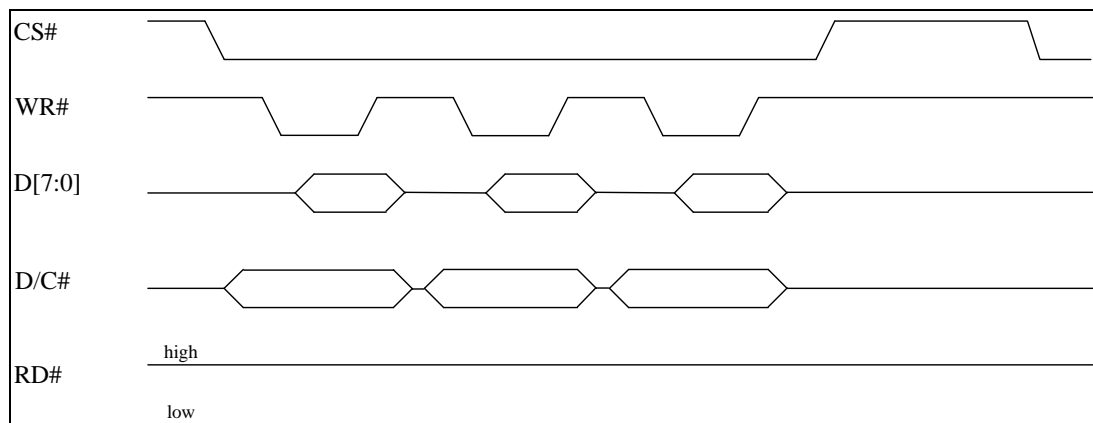


Figure 7-3 : Example of Read procedure in 8080 parallel interface mode

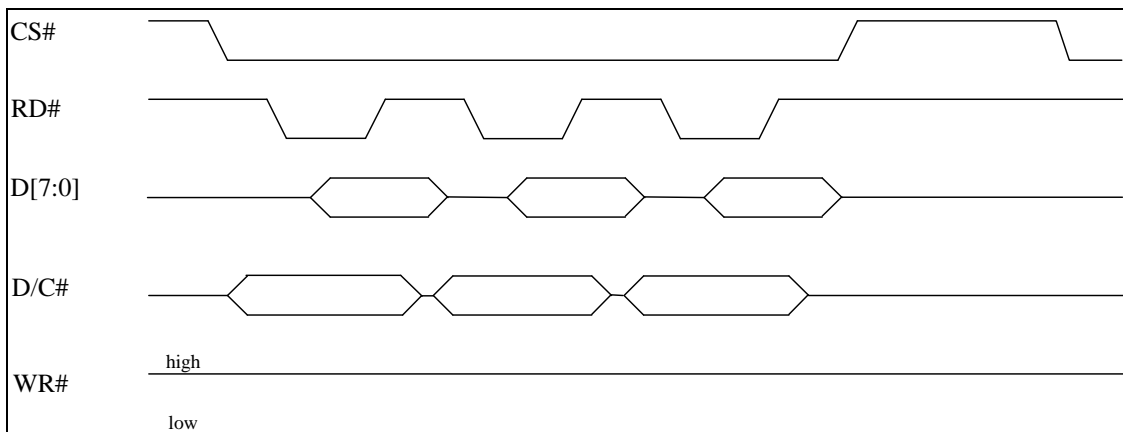


Table 7-3 : Control pins of 8080 interface

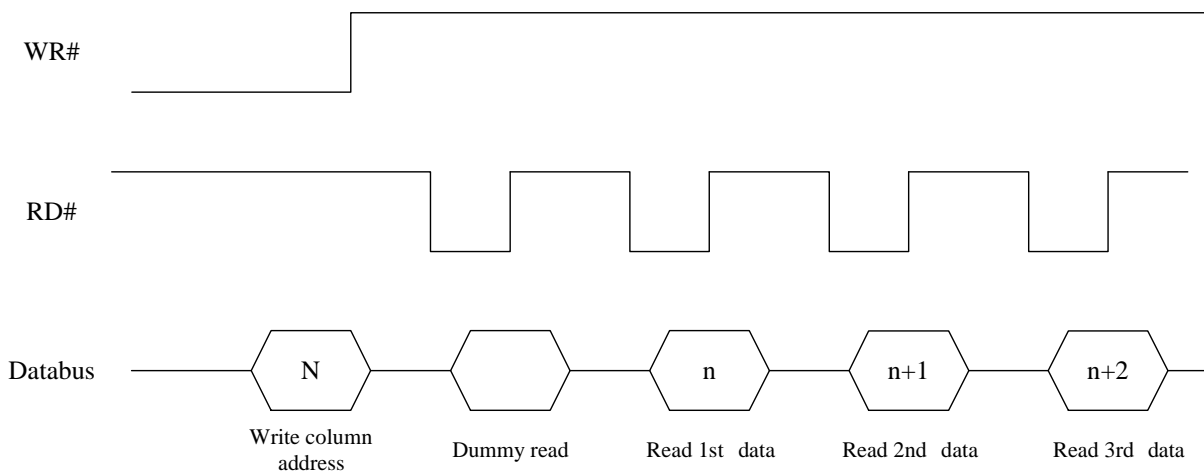
Function	RD#	WR#	CS#	D/C#
Write command	H	↑	L	L
Read status	↑	H	L	L
Write data	H	↑	L	H
Read data	↑	H	L	H

Note

- (1) ↑ stands for rising edge of signal
- (2) H stands for HIGH in signal
- (3) L stands for LOW in signal

In order to match the operating frequency of display RAM with that of the microprocessor, some pipeline processing is internally performed which requires the insertion of a dummy read before the first actual display data read. This is shown in Figure 7-4.

Figure 7-4 : Display data read back procedure - insertion of dummy read



7.1.3 MCU Serial Interface (4-wire SPI)

The 4-wire serial interface consists of serial clock: SCLK, serial data: SDIN, D/C#, CS#. In 4-wire SPI mode, D0 acts as SCLK, D1 acts as SDIN. For the unused data pins, D2 should be left open. The pins from D3 to D7, E and R/W# (WR#)# can be connected to an external ground.

Table 7-4 : Control pins of 4-wire Serial interface

Function	E	R/W#	CS#	D/C#	D0
Write command	Tie LOW	Tie LOW	L	L	↑
Write data	Tie LOW	Tie LOW	L	H	↑

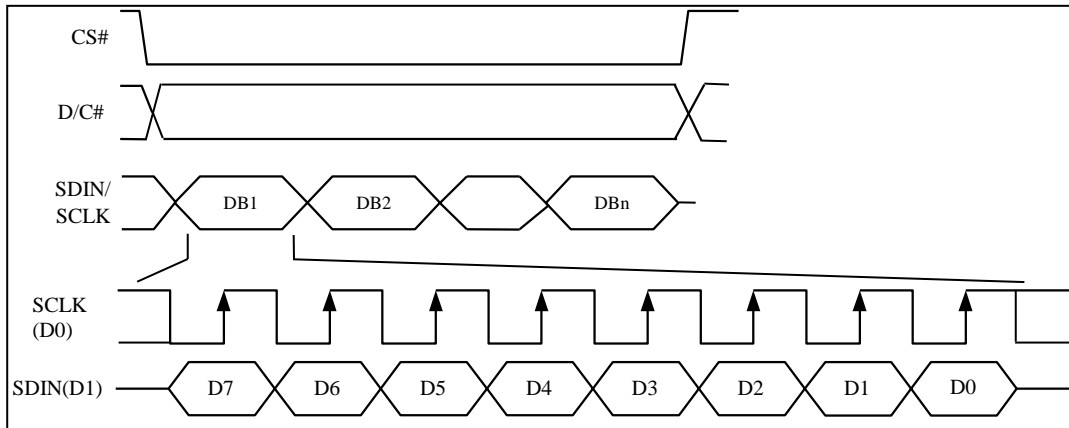
Note

- (1) H stands for HIGH in signal
- (2) L stands for LOW in signal
- (3) ↑ stands for rising edge of signal

SDIN is shifted into an 8-bit shift register on every rising edge of SCLK in the order of D7, D6, ... D0. D/C# is sampled on every eighth clock and the data byte in the shift register is written to the Graphic Display Data RAM (GDDRAM) or command register in the same clock.

Under serial mode, only write operations are allowed.

Figure 7-5 : Write procedure in 4-wire Serial interface mode



7.1.4 MCU Serial Interface (3-wire SPI)

The 3-wire serial interface consists of serial clock SCLK, serial data SDIN and CS#.

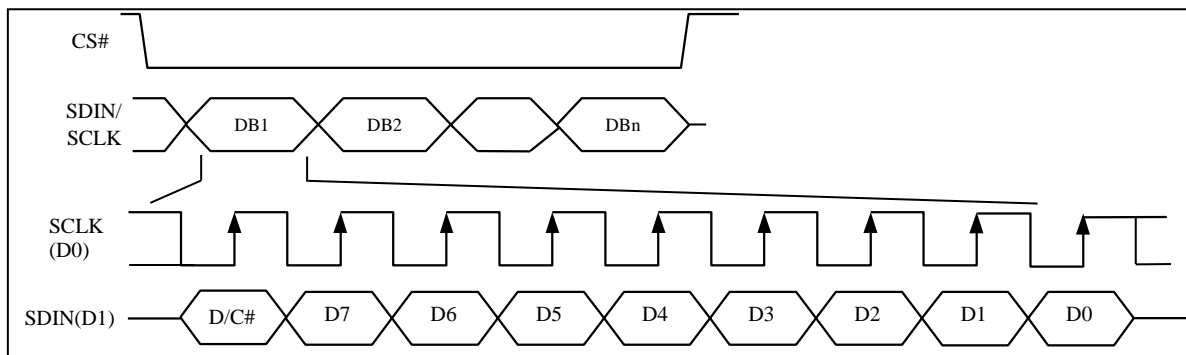
In 3-wire SPI mode, D0 acts as SCLK, D1 acts as SDIN. For the unused data pins, D2 should be left open. The pins from D3 to D7, R/W# (WR#)#, E and D/C# can be connected to an external ground.

The operation is similar to 4-wire serial interface while D/C# pin is not used. There are altogether 9-bits will be shifted into the shift register on every ninth clock in sequence: D/C# bit, D7 to D0 bit. The D/C# bit (first bit of the sequential data) will determine the following data byte in the shift register is written to the Display Data RAM (D/C# bit = 1) or the command register (D/C# bit = 0). Under serial mode, only write operations are allowed.

Table 7-5 : Control pins of 3-wire Serial interface

Function	E(RD#)	R/W#(WR#)	CS#	D/C#	D0	Note
Write command	Tie LOW	Tie LOW	L	Tie LOW	↑	(1) L stands for LOW in signal (2) ↑ stands for rising edge of signal
Write data	Tie LOW	Tie LOW	L	Tie LOW	↑	

Figure 7-6 : Write procedure in 3-wire Serial interface mode



7.1.5 MCU I²C Interface

The I²C communication interface consists of slave address bit SA0, I²C-bus data signal SDA (SDA_{OUT}/D₂ for output and SDA_{IN}/D₁ for input) and I²C-bus clock signal SCL (D₀). Both the data and clock signals must be connected to pull-up resistors. RES# is used for the initialization of device.

a) Slave address bit (SA0)

SSD1316 has to recognize the slave address before transmitting or receiving any information by the I²C-bus. The device will respond to the slave address following by the slave address bit (“SA0” bit) and the read/write select bit (“R/W#” bit) with the following byte format,

```
b7 b6 b5 b4 b3 b2 b1 b0
0 1 1 1 1 0 SA0 R/W#
```

“SA0” bit provides an extension bit for the slave address. Either “0111100” or “0111101”, can be selected as the slave address of SSD1316. D/C# pin acts as SA0 for slave address selection.

“R/W#” bit is used to determine the operation mode of the I²C-bus interface. R/W#=1, it is in read mode. R/W#=0, it is in write mode.

b) I²C-bus data signal (SDA)

SDA acts as a communication channel between the transmitter and the receiver. The data and the acknowledgement are sent through the SDA.

It should be noticed that the ITO track resistance and the pulled-up resistance at “SDA” pin becomes a voltage potential divider. As a result, the acknowledgement would not be possible to attain a valid logic 0 level in “SDA”.

“SDA_{IN}” and “SDA_{OUT}” are tied together and serve as SDA. The “SDA_{IN}” pin must be connected to act as SDA. The “SDA_{OUT}” pin may be disconnected. When “SDA_{OUT}” pin is disconnected, the acknowledgement signal will be ignored in the I²C-bus.

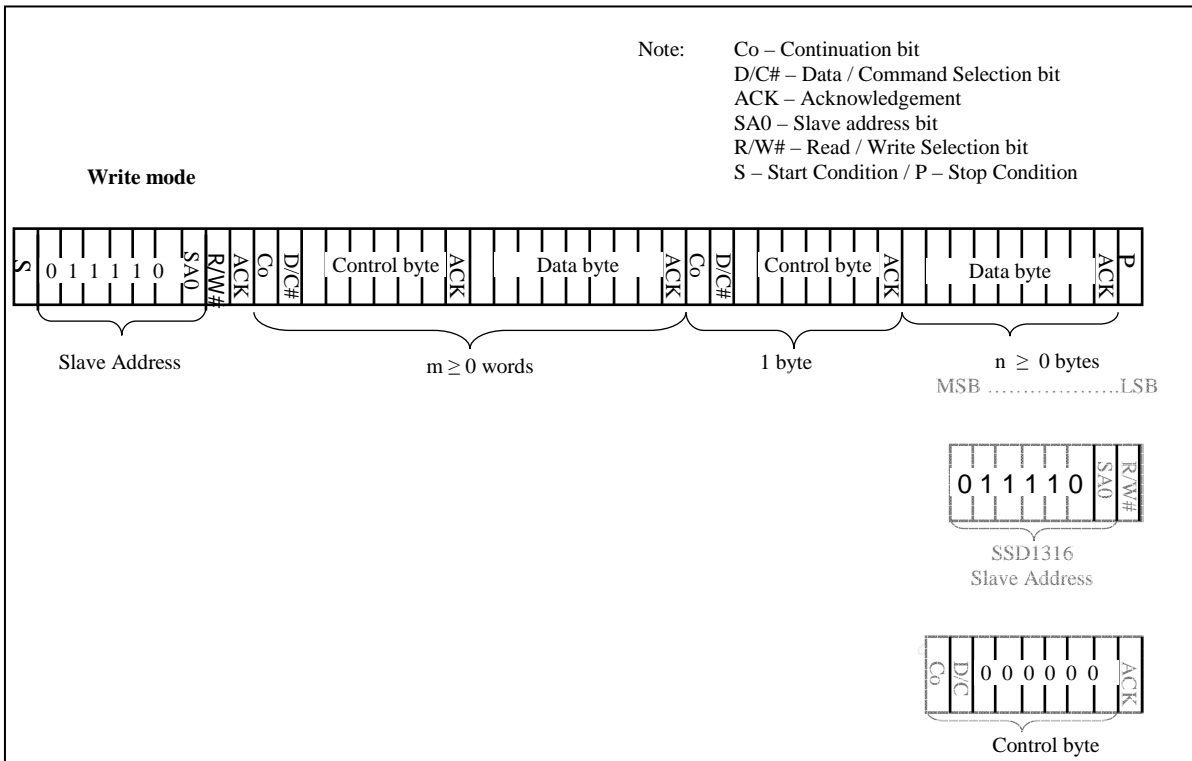
c) I²C-bus clock signal (SCL)

The transmission of information in the I²C-bus is following a clock signal, SCL. Each transmission of data bit is taken place during a single clock period of SCL.

7.1.5.1 I²C-bus Write data

The I²C-bus interface gives access to write data and command into the device. Please refer to Figure 7-7 for the write mode of I²C-bus in chronological order.

Figure 7-7 : I²C-bus data format



7.1.5.2 Write mode for I2C

- 1) The master device initiates the data communication by a start condition. The definition of the start condition is shown in Figure 7-8. The start condition is established by pulling the SDA from HIGH to LOW while the SCL stays HIGH.
- 2) The slave address is following the start condition for recognition use. For the SSD1316, the slave address is either “b0111100” or “b0111101” by changing the SA0 to LOW or HIGH (D/C pin acts as SA0).
- 3) The write mode is established by setting the R/W# bit to logic “0”.
- 4) An acknowledgement signal will be generated after receiving one byte of data, including the slave address and the R/W# bit. Please refer to the Figure 7-9 for the graphical representation of the acknowledge signal. The acknowledge bit is defined as the SDA line is pulled down during the HIGH period of the acknowledgement related clock pulse.
- 5) After the transmission of the slave address, either the control byte or the data byte may be sent across the SDA. A control byte mainly consists of Co and D/C# bits following by six “0” ‘s.
 - a. If the Co bit is set as logic “0”, the transmission of the following information will contain data bytes only.
 - b. The D/C# bit determines the next data byte is acted as a command or a data. If the D/C# bit is set to logic “0”, it defines the following data byte as a command. If the D/C# bit is set to logic “1”, it defines the following data byte as a data which will be stored at the GDDRAM. The GDDRAM column address pointer will be increased by one automatically after each data write.
- 6) Acknowledge bit will be generated after receiving each control byte or data byte.
- 7) The write mode will be finished when a stop condition is applied. The stop condition is also defined in Figure 7-8. The stop condition is established by pulling the “SDA in” from LOW to HIGH while the “SCL” stays HIGH.

Figure 7-8 : Definition of the Start and Stop Condition

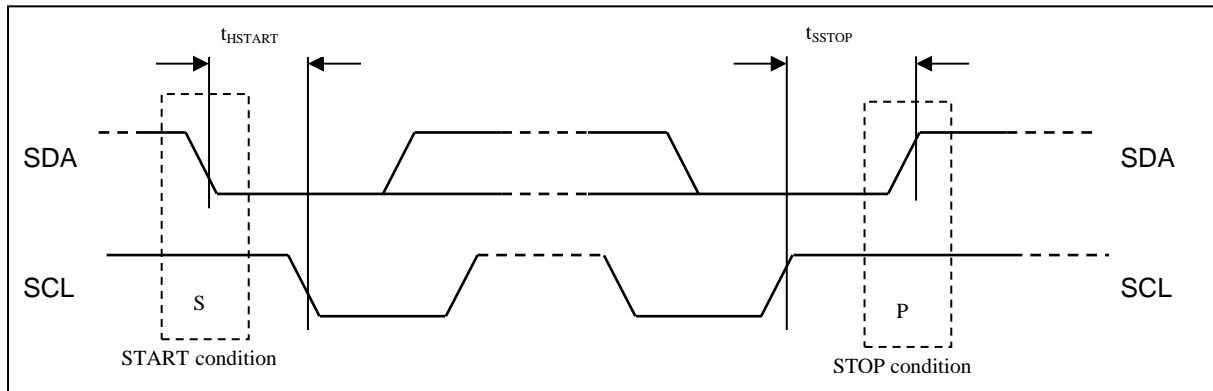
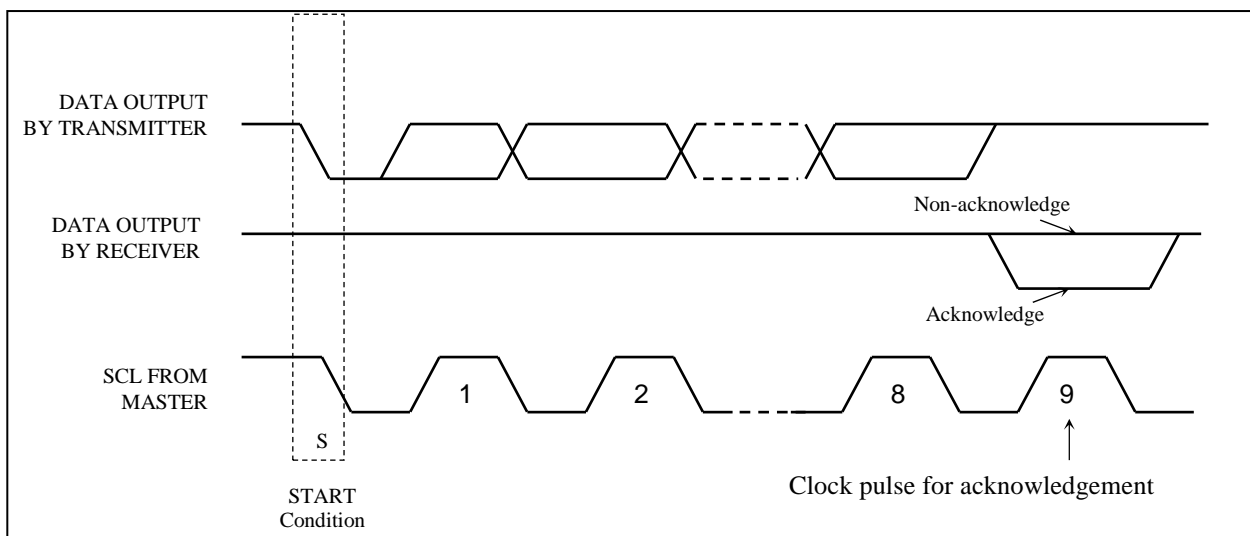


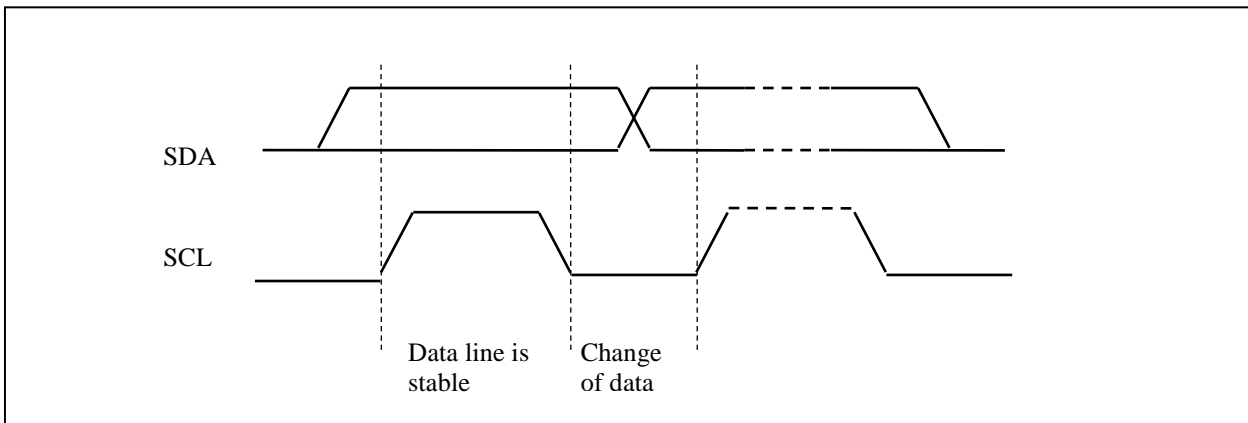
Figure 7-9 : Definition of the acknowledgement condition



Please be noted that the transmission of the data bit has some limitations.

1. The data bit, which is transmitted during each SCL pulse, must keep at a stable state within the “HIGH” period of the clock pulse. Please refer to the Figure 7-10 for graphical representations. Except in start or stop conditions, the data line can be switched only when the SCL is LOW.
2. Both the data line (SDA) and the clock line (SCL) should be pulled up by external resistors.

Figure 7-10 : Definition of the data transfer condition



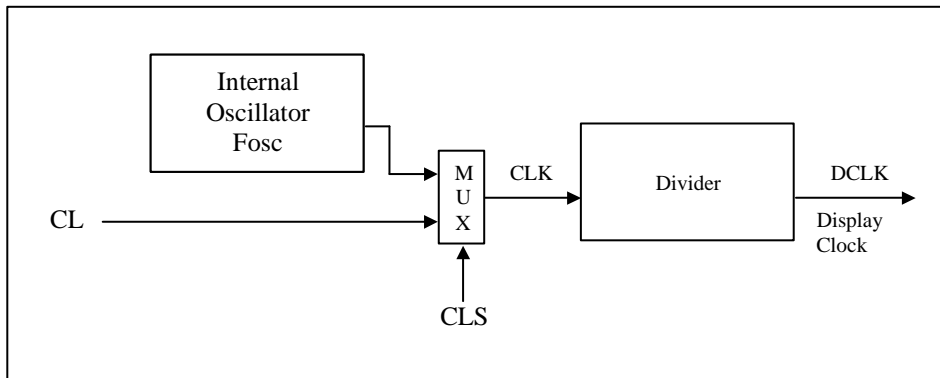
7.2 Command Decoder

This module determines whether the input data is interpreted as data or command. Data is interpreted based upon the input of the D/C# pin.

If D/C# pin is HIGH, D[7:0] is interpreted as display data written to Graphic Display Data RAM (GDDRAM). If it is LOW, the input at D[7:0] is interpreted as a command. Then data input will be decoded and written to the corresponding command register.

7.3 Oscillator Circuit and Display Time Generator

Figure 7-11 : Oscillator Circuit and Display Time Generator



This module is an on-chip LOW power RC oscillator circuitry. The operation clock (CLK) can be generated either from internal oscillator or external source CL pin. This selection is done by CLS pin. If CLS pin is pulled HIGH, internal oscillator is chosen and CL should be connected to V_{SS}. Pulling CLS pin LOW disables internal oscillator and external clock must be connected to CL pins for proper operation. When the internal oscillator is selected, its output frequency F_{osc} can be changed by command D5h A[7:4].

The display clock (DCLK) for the Display Timing Generator is derived from CLK. The division factor “D” can be programmed from 1 to 16 by command D5h

$$DCLK = F_{OSC} / D$$

The frame frequency of display is determined by the following formula.

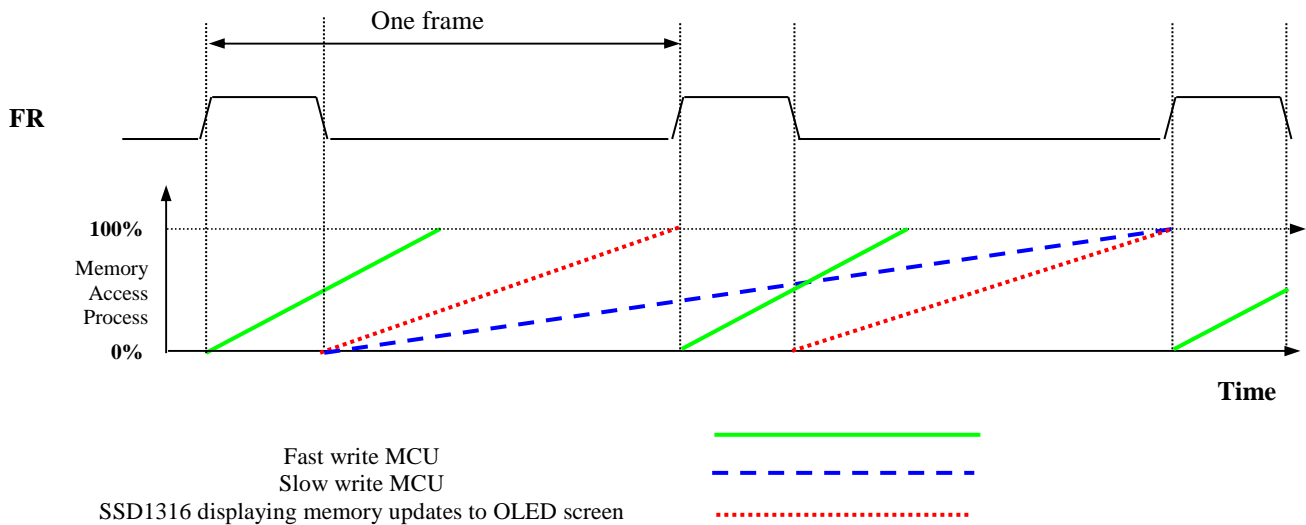
$$F_{FRM} = \frac{F_{osc}}{D \times K \times \text{No. of Mux}}$$

where

- D stands for clock divide ratio. It is set by command D5h A[3:0]. The divide ratio has the range from 1 to 16.
- K is the number of display clocks per row. The value is derived by
 $K = \text{Phase 1 period} + \text{Phase 2 period} + K_o$
 $= 2 + 2 + 50 = 54$ at power on reset (that is K_o is a constant that equals to 50)
 (Please refer to Section 7.6 for the details of the “Phase”)
- Number of multiplex ratio is set by command A8h. The power on reset value is 38 (i.e. 39MUX).
- F_{OSC} is the oscillator frequency. It can be changed by command D5h A[7:4]. The higher the register setting results in higher frequency.

7.4 FR synchronization

FR synchronization signal can be used to prevent tearing effect.



The starting time to write a new image to OLED driver is depended on the MCU writing speed. If MCU can finish writing a frame image within one frame period, it is classified as fast write MCU. For MCU needs longer writing time to complete (more than one frame but within two frames), it is a slow write one.

For fast write MCU: MCU should start to write new frame of ram data just after rising edge of FR pulse and should be finished well before the rising edge of the next FR pulse.

For slow write MCU: MCU should start to write new frame ram data after the falling edge of the 1st FR pulse and must be finished before the rising edge of the 3rd FR pulse.

7.5 Reset Circuit

When RES# input is LOW, the chip is initialized with the following status:

1. Display is OFF
2. 128 x 39 Display Mode
3. Normal segment and display data column address and row address mapping (SEG0 mapped to address 00h and COM0 mapped to address 00h)
4. Shift register data clear in serial interface
5. Display start line is set at display RAM address 0
6. Column address counter is set at 0
7. Normal scan direction of the COM outputs
8. Contrast control register is set at 7Fh
9. Normal display mode (Equivalent to A4h command)

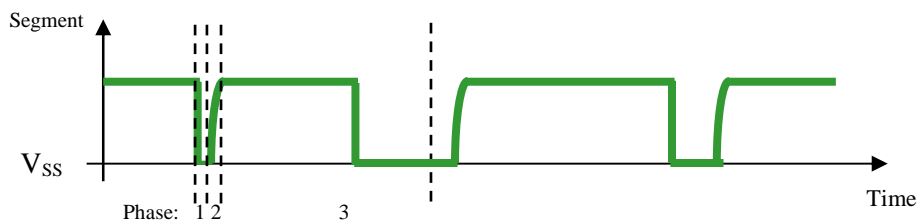
7.6 Segment Drivers / Common Drivers

Segment drivers deliver 128 current sources to drive the OLED panel. The driving current can be adjusted by altering the registers of the contrast setting command (81h). Common drivers generate voltage-scanning pulses.

The segment driving waveform is divided into three phases:

1. In phase 1, the OLED pixel charges of previous image are discharged in order to prepare for next image content display.
2. In phase 2, the OLED pixel is driven to the targeted voltage. The pixel is driven to attain the corresponding voltage level from V_{SS} . The period of phase 2 can be programmed in length from 1 to 15 DCLKs. If the capacitance value of the pixel of OLED panel is larger, a longer period is required to charge up the capacitor to reach the desired voltage.
3. In phase 3, the OLED driver switches to use current source to drive the OLED pixels and this is the current drive stage.

Figure 7-12 : Segment Output Waveform in three phases



After finishing phase 3, the driver IC will go back to phase 1 to display the next row image data. This three-step cycle is run continuously to refresh image display on OLED panel.

In phase 3, if the length of current drive pulse width is set to 50, after finishing 50 DCLKs in current drive phase, the driver IC will go back to phase 1 for next row display.

7.7 Graphic Display Data RAM (GDDRAM)

The GDDRAM is a bit mapped static RAM holding the bit pattern to be displayed. The size of the RAM is 128 x 39 bits and the RAM is divided into five pages, from PAGE0 to PAGE4, which are used for monochrome 128 x 39 dot matrix display, as shown in Figure 7-13.

When one data byte is written into GDDRAM, all the rows image data of the same page of the current column are filled (i.e. the whole column (8 bits) pointed by the column address pointer is filled.). Data bit D0 is written into the top row, while data bit D7 is written into bottom row. For PAGE4, bit D7 is treated as don't care bit.

For mechanical flexibility, re-mapping on both Segment and Common outputs can be selected by software. For vertical shifting of the display, an internal register storing the display start line can be set to control the portion of the RAM data to be mapped to the display (command D3h).

Figure 7-13 : GDDRAM pages structure of SSD1316

Segment re-mapping (command A1h)		SEG127	SEG126	SEG125	SEG124	SEG4	SEG3	SEG2	SEG1	SEG0		
Segment re-mapping (command A0h [RESET])		SEG0	SEG1	SEG2	SEG3	SEG123	SEG124	SEG125	SEG126	SEG127		
Page	Data	COL0	COL1	COL2	COL3	COL123	COL124	COL125	COL126	COL127	COM Output Scan Direction (command C0h [RESET])	COM Output Scan Direction (command C8h)
0	D0											COM0	COM38
	D1											COM1	COM37
	D2											COM2	COM36
	D3											COM3	COM35
	D4											COM4	COM34
	D5											COM5	COM33
	D6											COM6	COM32
	D7											COM7	COM31
1	D0											COM8	COM30
	D1											COM9	COM29
	D2											COM10	COM28
	D3											COM11	COM27
	D4											COM12	COM26
	D5											COM13	COM25
	D6											COM14	COM24
	D7											COM15	COM23
2	D0											COM16	COM22
	D1											COM17	COM21
	D2											COM18	COM20
	D3											COM19	COM19
	D4											COM20	COM18
	D5											COM21	COM17
	D6											COM22	COM16
	D7											COM23	COM15
3	D0											COM24	COM14
	D1											COM25	COM13
	D2											COM26	COM12
	D3											COM27	COM11
	D4											COM28	COM10
	D5											COM29	COM9
	D6											COM30	COM8
	D7											COM31	COM7
4	D0											COM32	COM6
	D1											COM33	COM5
	D2											COM34	COM4
	D3											COM35	COM3
	D4											COM36	COM2
	D5											COM37	COM1
D6											COM38	COM0	
	D7	Don't care bit											

Each box represents one bit of image data

7.8 SEG/COM Driving block

This block is used to derive the incoming power sources into the different levels of internal use voltage and current.

- V_{CC} is the most positive voltage supply.
- V_{LSS} is the ground path of the analog and panel current.
- V_{COMH} is the Common deselected level. It can be internally regulated or externally connect to V_{CC} .

Bit A[1] of command ADh is used to select external or internal V_{COMH} :

A[1] = '0' Select external V_{COMH} . When external V_{COMH} is used, V_{COMH} must be connected to V_{CC} .

A[1] = '1' Select internal V_{COMH} regulator [Reset]. When internal V_{COMH} is selected, a capacitor should be connected between V_{COMH} and V_{SS} .

- I_{REF} is a reference current source for segment current drivers I_{SEG} . The relationship between reference current and segment current of a color is:

$$I_{SEG} = \text{Contrast} / 256 \times I_{REF} \times \text{scale factor}$$

in which the contrast (1~255) is set by Set Contrast command (81h)

When internal I_{REF} is used, the I_{REF} pin should be kept NC.

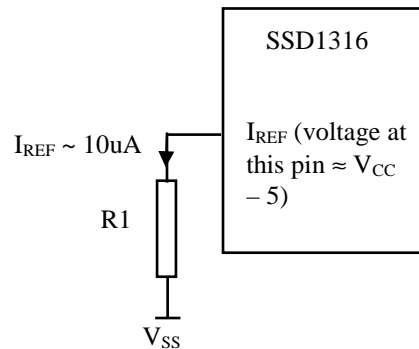
Bit A[4] of command ADh is used to select external or internal I_{REF} :

A[4] = '0' Select external I_{REF} [Reset]

A[4] = '1' Enable internal I_{REF} during display ON

When external I_{REF} is used, the magnitude of I_{REF} is controlled by the value of resistor, which is connected between I_{REF} pin and V_{SS} as shown in Figure 7-14. It is recommended to set I_{REF} to $10 \pm 2\mu\text{A}$ so as to achieve $I_{SEG} = 160\mu\text{A}$ at maximum contrast 255.

Figure 7-14 : I_{REF} Current Setting by Resistor Value



Since the voltage at I_{REF} pin is $V_{CC} - 5\text{V}$, the value of resistor $R1$ can be found as below:

For $I_{REF} = 10\mu\text{A}$, $V_{CC} = 12\text{V}$:

$$\begin{aligned} R1 &= (\text{Voltage at } I_{REF} - V_{SS}) / I_{REF} \\ &\approx (12 - 5) / 10\mu\text{A} \\ &= 700\text{k}\Omega \end{aligned}$$

7.9 Power ON and OFF sequence

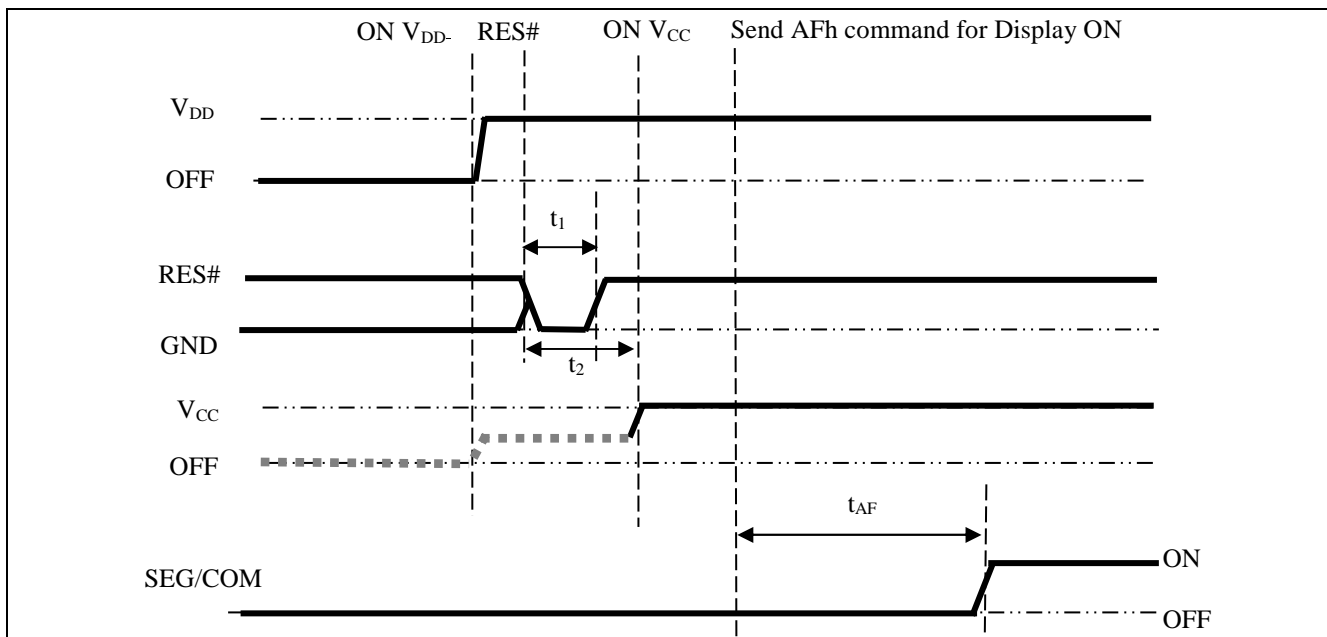
The following figures illustrate the recommended power ON and power OFF sequence of SSD1316 :

7.9.1 Power ON and OFF sequence with External V_{CC}

Power ON sequence:

1. Power ON V_{DD}
2. After V_{DD} become stable, set RES# pin LOW (logic low) for at least 3us (t_1)⁽⁴⁾ and then HIGH (logic high).
3. After set RES# pin LOW (logic low), wait for at least 3us (t_2). Then Power ON V_{CC}.⁽¹⁾
4. After V_{CC} become stable, send command AFh for display ON. SEG/COM will be ON after 100ms (t_{AF}).

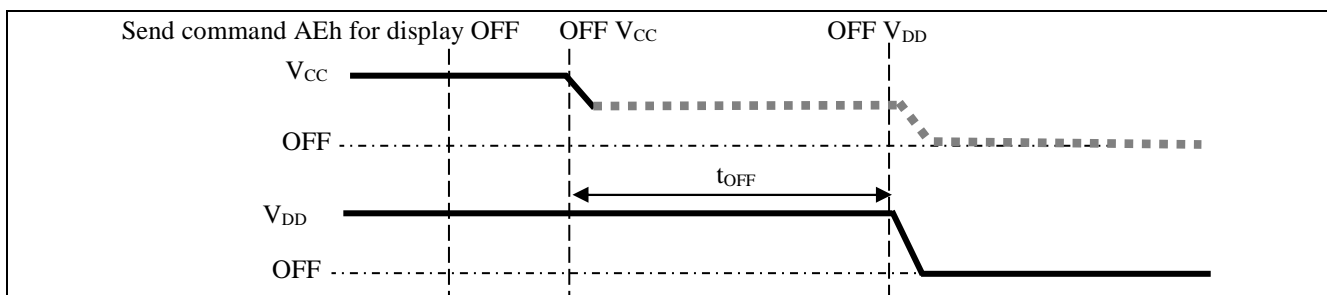
Figure 7-15 : The Power ON sequence



Power OFF sequence:

1. Send command AEh for display OFF.
2. Power OFF V_{CC}.^{(1), (2), (3)}
3. Power OFF V_{DD} after t_{OFF} .⁽⁵⁾ (Typical t_{OFF} =500ms)

Figure 7-16 : The Power OFF sequence



Note:

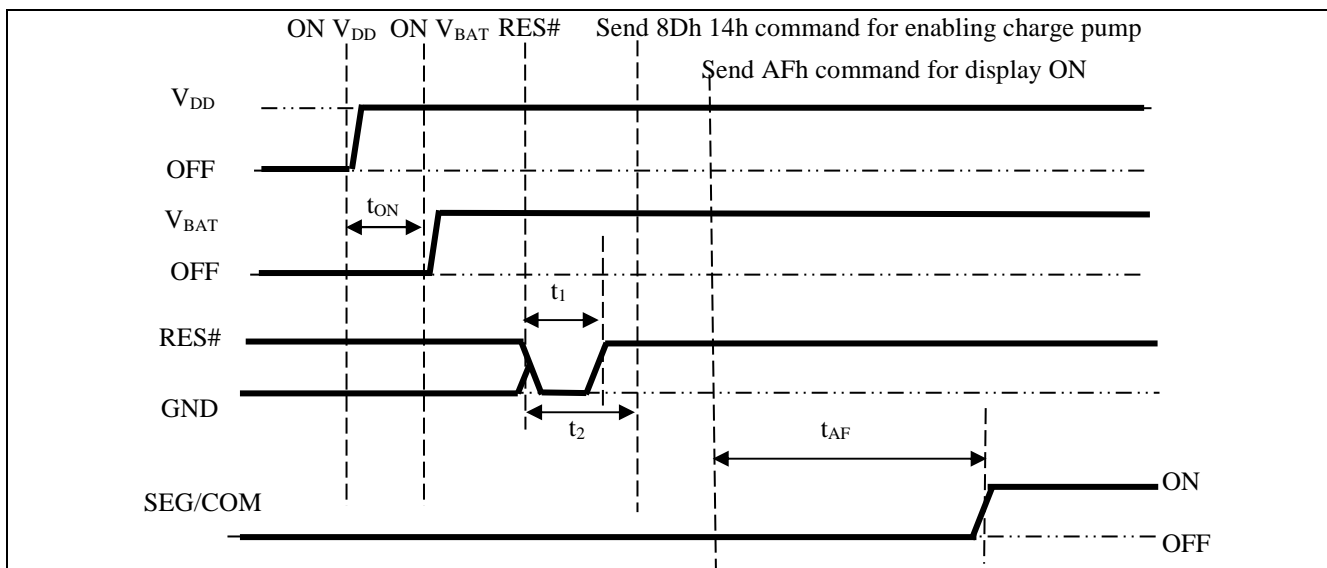
- (1) Since an ESD protection circuit is connected between V_{DD} and V_{CC}, V_{CC} becomes lower than V_{DD} whenever V_{DD} is ON and V_{CC} is OFF as shown in the dotted line of V_{CC} in Figure 7-15 and Figure 7-16.
- (2) V_{CC} should be kept float (i.e. disable) when it is OFF.
- (3) Power Pins (V_{DD}, V_{CC}) can never be pulled to ground under any circumstance.
- (4) The register values are reset after t_1 .
- (5) V_{DD} should not be Power OFF before V_{CC} Power OFF.

7.9.2 Power ON and OFF sequence with Charge Pump Application

Power ON sequence:

1. Power ON V_{DD}
2. Wait for t_{ON} . Power ON V_{BAT} .^{(1), (2)} (where Minimum $t_{ON} = 0ms$)
3. After V_{BAT} become stable, set RES# pin LOW (logic low) for at least $3\mu s$ (t_1)⁽³⁾ and then HIGH (logic high).
4. After set RES# pin LOW (logic low), wait for at least $3\mu s$ (t_2). Then input commands with below sequence:
 - a. 8Dh 14h for enabling charge pump
 - b. AFh for display ON
5. SEG/COM will be ON after $100ms$ (t_{AF}).

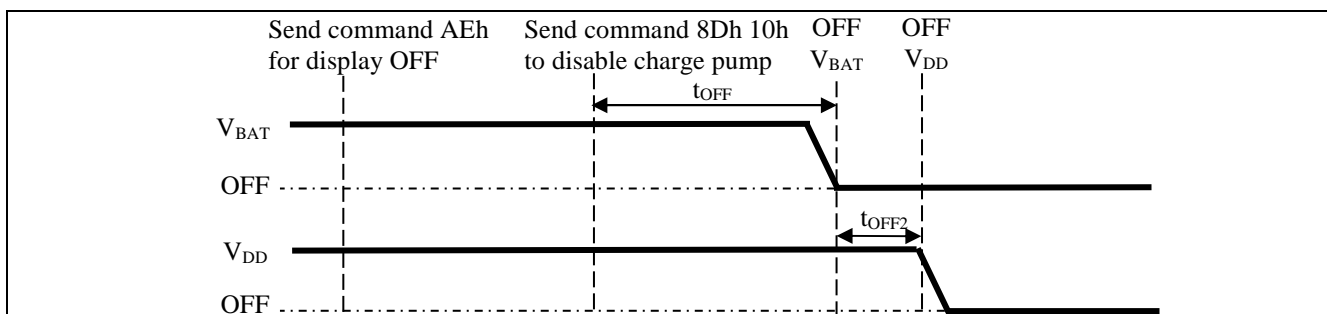
Figure 7-17 : The Power ON sequence with Charge Pump Application



Power OFF sequence:

1. Send command AEh for display OFF
2. Send command 8Dh 10h to disable charge pump
3. Power OFF V_{BAT} after t_{OFF} .^{(1), (2)} (Typical $t_{OFF} = 500ms$)
4. Power OFF V_{DD} after t_{OFF2} . (where Minimum $t_{OFF2} = 0ms$)⁽⁴⁾, Typical $t_{OFF2} = 5ms$)

Figure 7-18 : The Power OFF sequence with Charge Pump Application



Note:

- (1) V_{BAT} should be kept float (i.e. disable) when it is OFF.
- (2) Power Pins (V_{DD} , V_{BAT}) can never be pulled to ground under any circumstance.
- (3) The register values are reset after t_1 .
- (4) V_{DD} should not be Power OFF before V_{BAT} Power OFF

7.10 Charge Pump Regulator

The internal regulator circuit in SSD1316 accompanying only 2 external capacitors can generate a 9.0V voltage supply, V_{CC} and a maximum output loading of 12mA from a low voltage supply input, V_{BAT} . The V_{CC} is the voltage supply to the OLED driver block. This regulator can be turned ON/OFF by software command 8Dh setting.

8 COMMAND TABLE

Table 8-1: SSD1316 Command Table

(R/W#(WR#) = 0, E(RD#) = 1 unless specific setting is stated)

1. Fundamental Command Table											
D/C#	Hex	D7	D6	D5	D4	D3	D2	D1	D0	Command	Description
00	81 A[7:0]	1 A ₇	0 A ₆	0 A ₅	0 A ₄	0 A ₃	0 A ₂	0 A ₁	1 A ₀	Set Contrast Control	Double byte command to select one of the contrast steps. Contrast increases as the value increases. (RESET = 7Fh) A[7:0] valid range: 01h to FFh
00	A4/A5	1	0	1	0	0	1	0	X ₀	Entire Display ON	A4h, X[0]: Resume to RAM content display (RESET) Output follows RAM content A5h, X[0]: Entire display ON Output ignores RAM content
00	A6/A7	1	0	1	0	0	1	1	X ₀	Set Normal/Inverse Display	A6h, X[0]=0b: Normal display (RESET) 0 in RAM: OFF in display panel 1 in RAM: ON in display panel A7h, X[0]=1b: Inverse display 0 in RAM: ON in display panel 1 in RAM: OFF in display panel
00	AD A[7:0]	1 0	0 0	1 0	0 A ₄	1 0	1 0	0 A ₁	1 0	External or Internal V_{COMH} Selection / External or internal I_{REF} Selection	Select external or internal V_{COMH} : A[1] = '0' Select internal V_{COMH} (RESET) A[1] = '1' Enable external V_{COMH} Select external or internal I_{REF} : A[4] = '0' Select external I_{REF} (RESET) A[4] = '1' Enable internal I_{REF} during display ON Note (¹) Refer to section 7.8 for details.
00	AE AF	1	0	1	0	1	1	1	X ₀	Set Display ON/OFF	AEh, X[0]=0b: Display OFF (sleep mode) (RESET) AFh X[0]=1b: Display ON in normal mode

2. Scrolling Command Table																																					
D/C#	Hex	D7	D6	D5	D4	D3	D2	D1	D0	Command	Description																										
0	26/27	0	0	1	0	0	1	1	X ₀	Continuous Horizontal Scroll Setup	26h, X[0]=0, Right Horizontal Scroll 27h, X[0]=1, Left Horizontal Scroll (Horizontal scroll by 1 column) A[7:0] : Dummy byte (Set as 00h) B[2:0] : Define start page address <table border="1"> <tr> <td>000b – PAGE0</td> <td>011b – PAGE3</td> <td>110b – invalid</td> </tr> <tr> <td>001b – PAGE1</td> <td>100b – PAGE4</td> <td>111b – invalid</td> </tr> <tr> <td>010b – PAGE2</td> <td>101b – invalid</td> <td></td> </tr> </table> C[2:0] : Set time interval between each scroll step in terms of frame frequency <table border="1"> <tr> <td>000b – 6 frames</td> <td>100b – 3 frames</td> </tr> <tr> <td>001b – 32 frames</td> <td>101b – 4 frames</td> </tr> <tr> <td>010b – 64 frames</td> <td>110b – 5 frame</td> </tr> <tr> <td>011b – 128 frames</td> <td>111b – 2 frame</td> </tr> </table> D[2:0] : Define end page address <table border="1"> <tr> <td>000b – PAGE0</td> <td>011b – PAGE3</td> <td>110b – invalid</td> </tr> <tr> <td>001b – PAGE1</td> <td>100b – PAGE4</td> <td>111b – invalid</td> </tr> <tr> <td>010b – PAGE2</td> <td>101b – invalid</td> <td></td> </tr> </table> The value of D[2:0] must be larger or equal to B[2:0] E[7:0] : Dummy byte (Set as 00h) F[7:0] : Define start column address (00d-127d) G[7:0] : Define end column address (00d-127d) The value of G[2:0] must be larger or equal to F[2:0]	000b – PAGE0	011b – PAGE3	110b – invalid	001b – PAGE1	100b – PAGE4	111b – invalid	010b – PAGE2	101b – invalid		000b – 6 frames	100b – 3 frames	001b – 32 frames	101b – 4 frames	010b – 64 frames	110b – 5 frame	011b – 128 frames	111b – 2 frame	000b – PAGE0	011b – PAGE3	110b – invalid	001b – PAGE1	100b – PAGE4	111b – invalid	010b – PAGE2	101b – invalid	
000b – PAGE0	011b – PAGE3	110b – invalid																																			
001b – PAGE1	100b – PAGE4	111b – invalid																																			
010b – PAGE2	101b – invalid																																				
000b – 6 frames	100b – 3 frames																																				
001b – 32 frames	101b – 4 frames																																				
010b – 64 frames	110b – 5 frame																																				
011b – 128 frames	111b – 2 frame																																				
000b – PAGE0	011b – PAGE3	110b – invalid																																			
001b – PAGE1	100b – PAGE4	111b – invalid																																			
010b – PAGE2	101b – invalid																																				
0	A[7:0]	0	0	0	0	0	0	0	0																												
0	B[2:0]	*	*	*	*	*	B ₂	B ₁	B ₀																												
0	C[2:0]	*	*	*	*	*	C ₂	C ₁	C ₀																												
0	D[2:0]	*	*	*	*	*	D ₂	D ₁	D ₀																												
0	E[7:0]	0	0	0	0	0	0	0	0																												
0	F[7:0]	*	F ₆	F ₅	F ₄	F ₃	F ₂	F ₁	F ₀																												
0	G[7:0]	*	G ₆	G ₅	G ₄	G ₃	G ₂	G ₁	G ₀																												
0	29/2A	0	0	1	0	1	0	X ₁	X ₀	Continuous Vertical and Horizontal Scroll Setup	29h, X ₁ X ₀ =01b : Vertical and Right Horizontal Scroll 2Ah, X ₁ X ₀ =10b : Vertical and Left Horizontal Scroll A[7:0] : Horizontal scrolling offset A[0] = 0, no offset A[0] = 1, scroll by 1 column																										
0	A[2:0]	*	*	*	*	*	*	*	A ₀																												
0	B[2:0]	*	*	*	*	*	B ₂	B ₁	B ₀																												
0	C[2:0]	*	*	*	*	*	C ₂	C ₁	C ₀																												
0	D[2:0]	*	*	*	*	*	D ₂	D ₁	D ₀																												
0	E[5:0]	*	*	E ₅	E ₄	E ₃	E ₂	E ₁	E ₀																												
0	F[7:0]	*	F ₆	F ₅	F ₄	F ₃	F ₂	F ₁	F ₀																												
0	G[7:0]	*	G ₆	G ₅	G ₄	G ₃	G ₂	G ₁	G ₀																												

2. Scrolling Command Table																																					
D/C#	Hex	D7	D6	D5	D4	D3	D2	D1	D0	Command	Description																										
											<p>B[2:0] : Define start page address</p> <table border="1"> <tr> <td>000b – PAGE0</td> <td>011b – PAGE3</td> <td>110b – invalid</td> </tr> <tr> <td>001b – PAGE1</td> <td>100b – PAGE4</td> <td>111b – invalid</td> </tr> <tr> <td>010b – PAGE2</td> <td>101b – invalid</td> <td></td> </tr> </table> <p>C[2:0] : Set time interval between each scroll step in terms of frame frequency</p> <table border="1"> <tr> <td>000b – 6 frames</td> <td>100b – 3 frames</td> </tr> <tr> <td>001b – 32 frames</td> <td>101b – 4 frames</td> </tr> <tr> <td>010b – 64 frames</td> <td>110b – 5 frame</td> </tr> <tr> <td>011b – 128 frames</td> <td>111b – 2 frame</td> </tr> </table> <p>D[2:0] : Define end page address</p> <table border="1"> <tr> <td>000b – PAGE0</td> <td>011b – PAGE3</td> <td>110b – invalid</td> </tr> <tr> <td>001b – PAGE1</td> <td>100b – PAGE4</td> <td>111b – invalid</td> </tr> <tr> <td>010b – PAGE2</td> <td>101b – invalid</td> <td></td> </tr> </table> <p>The value of D[2:0] must be larger or equal to B[2:0]</p> <p>E[5:0] : Vertical scrolling offset e.g. E[5:0]= 01h refer to offset =1 row E[5:0] =26h refer to offset =38 rows</p> <p>F[7:0] : Define start column address (00d-127d)</p> <p>G[7:0] : Define end column address (00d-127d) The value of G[2:0] must be larger or equal to F[2:0]</p>	000b – PAGE0	011b – PAGE3	110b – invalid	001b – PAGE1	100b – PAGE4	111b – invalid	010b – PAGE2	101b – invalid		000b – 6 frames	100b – 3 frames	001b – 32 frames	101b – 4 frames	010b – 64 frames	110b – 5 frame	011b – 128 frames	111b – 2 frame	000b – PAGE0	011b – PAGE3	110b – invalid	001b – PAGE1	100b – PAGE4	111b – invalid	010b – PAGE2	101b – invalid	
000b – PAGE0	011b – PAGE3	110b – invalid																																			
001b – PAGE1	100b – PAGE4	111b – invalid																																			
010b – PAGE2	101b – invalid																																				
000b – 6 frames	100b – 3 frames																																				
001b – 32 frames	101b – 4 frames																																				
010b – 64 frames	110b – 5 frame																																				
011b – 128 frames	111b – 2 frame																																				
000b – PAGE0	011b – PAGE3	110b – invalid																																			
001b – PAGE1	100b – PAGE4	111b – invalid																																			
010b – PAGE2	101b – invalid																																				
0	2E	0	0	1	0	1	1	1	0	Deactivate scroll	<p>Stop scrolling that is configured by command 26h/27h/29h/2Ah.</p> <p>Note ⁽¹⁾ After sending 2Eh command to deactivate the scrolling action, the ram data needs to be rewritten.</p>																										

2. Scrolling Command Table											
D/C#	Hex	D7	D6	D5	D4	D3	D2	D1	D0	Command	Description
0	2F	0	0	1	0	1	1	1	1	Activate scroll	<p>Start scrolling that is configured by the scrolling setup commands :26h/27h/29h/2Ah with the following valid sequences:</p> <p>Valid command sequence 1: 26h ;2Fh. Valid command sequence 2: 27h ;2Fh. Valid command sequence 3: 29h ;2Fh. Valid command sequence 4: 2Ah ;2Fh.</p> <p>For example, if “26h; 2Ah; 2Fh.” commands are issued, the setting in the last scrolling setup command, i.e. 2Ah in this case, will be executed. In other words, setting in the last scrolling setup command overwrites the setting in the previous scrolling setup commands.</p>
0 0 0	A3 A[5:0] B[5:0]	1 * *	0 * *	1 A ₅ B ₅	0 A ₄ B ₄	0 A ₃ B ₃	0 A ₂ B ₂	1 A ₁ B ₁	1 A ₀ B ₀	Set Vertical Scroll Area	<p>A[5:0] : Set No. of rows in top fixed area. The No. of rows in top fixed area is referenced to the top of the GDDRAM (i.e. row 0).[RESET = 0d]</p> <p>B[5:0] : Set No. of rows in scroll area. This is the number of rows to be used for vertical scrolling. The scroll area starts in the first row below the top fixed area. [RESET = 39d]</p> <p>Note</p> <p>⁽¹⁾ A[5:0]+B[5:0] <= MUX ratio ⁽²⁾ B[5:0] <= MUX ratio ^(3a) Vertical scrolling offset (E[5:0] in 29h/2Ah) < B[5:0] ^(3b) Set Display Start Line (X5X4X3X2X1X0 of 40h~66h) < B[5:0] ⁽⁴⁾ The last row of the scroll area shifts to the first row of the scroll area. ⁽⁵⁾ For 39d MUX display A[5:0] = 0, B[5:0]=39 : whole area scrolls A[5:0]= 0, B[5:0] < 39 : top area scrolls A[5:0] + B[5:0] < 39 : central area scrolls A[5:0] + B[5:0] = 39 : bottom area scrolls</p>

2. Scrolling Command Table																													
D/C#	Hex	D7	D6	D5	D4	D3	D2	D1	D0	Command	Description																		
0	2C/2D	0	0	1	0	1	1	0	X ₀	Content Scroll Setup	2Ch, X[0]=0, Right Horizontal Scroll by one column 2Dh, X[0]=1, Left Horizontal Scroll by one column A[7:0] : Dummy byte (Set as 00h) B[2:0] : Define start page address <table border="1"> <tr> <td>000b – PAGE0</td> <td>011b – PAGE3</td> <td>110b – invalid</td> </tr> <tr> <td>001b – PAGE1</td> <td>100b – PAGE4</td> <td>111b – invalid</td> </tr> <tr> <td>010b – PAGE2</td> <td>101b – invalid</td> <td></td> </tr> </table> C[7:0] : Dummy byte (Set as 01h) D[2:0] : Define end page address <table border="1"> <tr> <td>000b – PAGE0</td> <td>011b – PAGE3</td> <td>110b – invalid</td> </tr> <tr> <td>001b – PAGE1</td> <td>100b – PAGE4</td> <td>111b – invalid</td> </tr> <tr> <td>010b – PAGE2</td> <td>101b – invalid</td> <td></td> </tr> </table> E[7:0] : Dummy byte (Set as 00h) F[7:0] : Define start column (RESET = 00h) G[7:0] : Define end column (RESET = 7Fh) Note (1) The value of D[2:0] must be larger than or equal to B[2:0] (2) The value of G[7:0] must be larger than F[7:0] (3) A delay time of 2 frame frequency must be set if sending the command of 2Ch / 2Dh consecutively	000b – PAGE0	011b – PAGE3	110b – invalid	001b – PAGE1	100b – PAGE4	111b – invalid	010b – PAGE2	101b – invalid		000b – PAGE0	011b – PAGE3	110b – invalid	001b – PAGE1	100b – PAGE4	111b – invalid	010b – PAGE2	101b – invalid	
000b – PAGE0	011b – PAGE3	110b – invalid																											
001b – PAGE1	100b – PAGE4	111b – invalid																											
010b – PAGE2	101b – invalid																												
000b – PAGE0	011b – PAGE3	110b – invalid																											
001b – PAGE1	100b – PAGE4	111b – invalid																											
010b – PAGE2	101b – invalid																												
0	A[7:0]	0	0	0	0	0	0	0	0																				
0	B[2:0]	*	*	*	*	*	B ₂	B ₁	B ₀																				
0	C[7:0]	*	*	*	*	*	0	0	1																				
0	D[2:0]	*	*	*	*	*	D ₂	D ₁	D ₀																				
0	E[7:0]	0	0	0	0	0	0	0	0																				
0	F[7:0]	F ₇	F ₆	F ₅	F ₄	F ₃	F ₂	F ₁	F ₀																				
0	G[7:0]	G ₇	G ₆	G ₅	G ₄	G ₃	G ₂	G ₁	G ₀																				

3. Addressing Setting Command Table											
D/C#	Hex	D7	D6	D5	D4	D3	D2	D1	D0	Command	Description
0	00~0F	0	0	0	0	X ₃	X ₂	X ₁	X ₀	Set Lower Column Start Address for Page Addressing Mode	Set the lower nibble of the column start address register for Page Addressing Mode using X[3:0] as data bits. The initial display line register is reset to 0000b after RESET. Note (1) This command is only for page addressing mode.

3. Addressing Setting Command Table

D/C#	Hex	D7	D6	D5	D4	D3	D2	D1	D0	Command	Description
0	10~17	0	0	0	1	0	X ₂	X ₁	X ₀	Set Higher Column Start Address for Page Addressing Mode	Set the higher nibble of the column start address register for Page Addressing Mode using X[2:0] as data bits. The initial display line register is reset to 0000b after RESET. Note (1) This command is only for page addressing mode.
0	20	0	0	1	0	0	0	0	0	Set Memory Addressing Mode	A[1:0] = 00b, Horizontal Addressing Mode A[1:0] = 01b, Vertical Addressing Mode A[1:0] = 10b, Page Addressing Mode (RESET) A[1:0] = 11b, Invalid
0	21	0	0	1	0	0	0	0	1	Set Column Address	Setup column start and end address A[6:0] : Column start address, range : 0-127d, (RESET=0d) B[6:0]: Column end address, range : 0-127d, (RESET =127d) Note (1) This command is only for horizontal or vertical addressing mode.
0	22	0	0	1	0	0	0	1	0	Set Page Address	Setup page start and end address A[2:0] : Page start Address, range : 0-4d, (RESET = 0d) B[2:0] : Page end Address, range : 0-4d, (RESET = 4d) Note (1) This command is only for horizontal or vertical addressing mode.
0	B0~B4	1	0	1	1	0	X ₂	X ₁	X ₀	Set Page Start Address for Page Addressing Mode	Set GDDRAM Page Start Address (PAGE0~PAGE4) for Page Addressing Mode using X[2:0]. Note (1) This command is only for page addressing mode.

4. Hardware Configuration (Panel resolution & layout related) Command Table

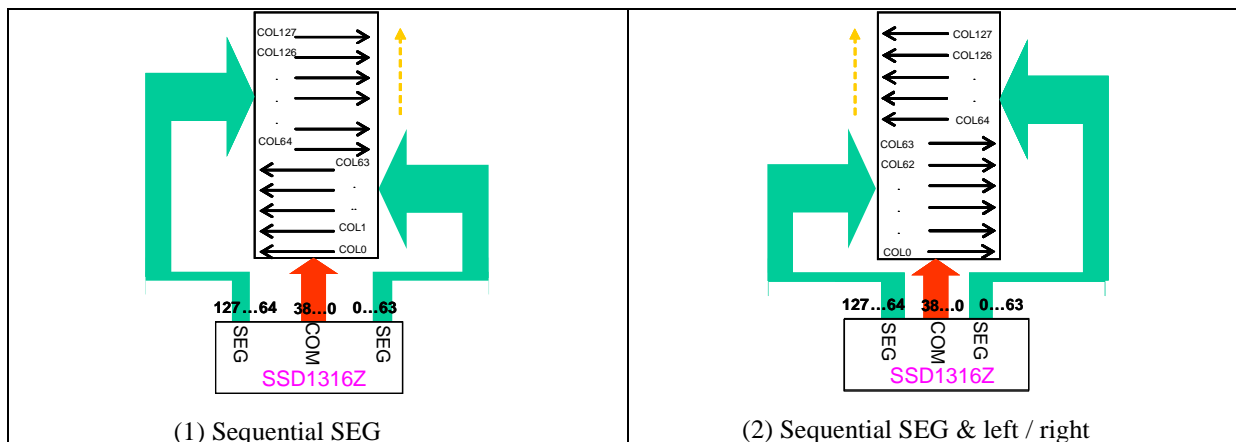
D/C#	Hex	D7	D6	D5	D4	D3	D2	D1	D0	Command	Description
0	40~66	0	1	X ₅	X ₄	X ₃	X ₂	X ₁	X ₀	Set Display Start Line	Set display RAM display offset from 0d-38d using X ₅ X ₄ X ₃ X ₂ X ₁ X ₀ . Display offset is reset to 000000b during RESET.
0	A0/A1	1	0	1	0	0	0	0	X ₀	Set Segment Re-map	A0h, X[0]=0b: column address 0 is mapped to SEG0 (RESET) A1h, X[0]=1b: column address 127 is mapped to SEG0

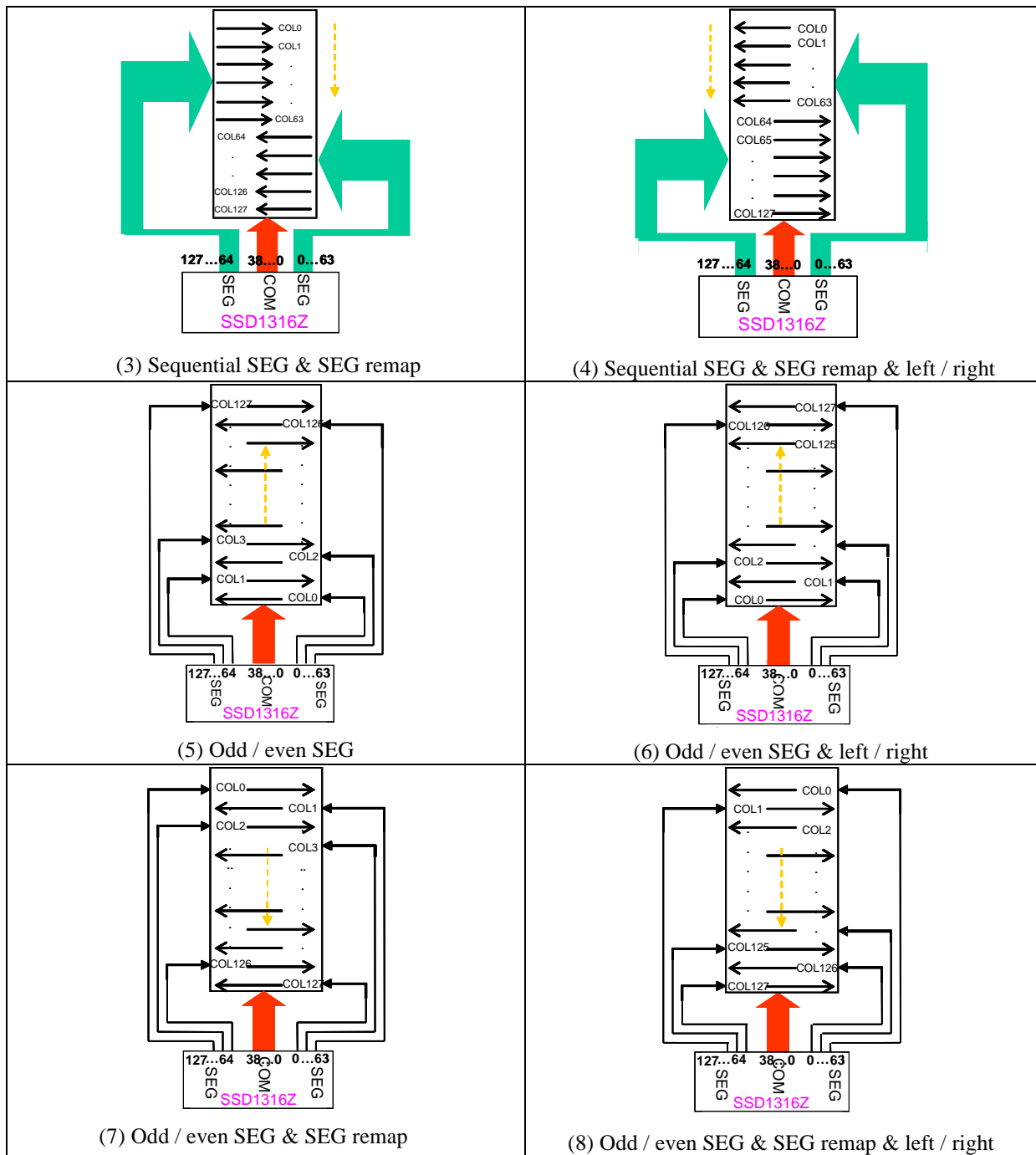
4. Hardware Configuration (Panel resolution & layout related) Command Table											
D/C#	Hex	D7	D6	D5	D4	D3	D2	D1	D0	Command	Description
00	A8 A[5:0]	1 *	0 *	1 A ₅	0 A ₄	1 A ₃	0 A ₂	0 A ₁	0 A ₀	Set Multiplex Ratio	Set MUX ratio to N+1 MUX N=A[5:0] : from 8MUX to 39MUX, RESET=100110b (i.e.38d , 39Mux) A[5:0] from 0 to 7 are invalid entry.
00	C0/C8	1	1	0	0	X ₃	0	0	0	Set COM Output Scan Direction	C0h, X[3]=0b: normal mode (RESET) Scan from COM0 to COM[N -1] C8h, X[3]=1b: remapped mode. Scan from COM[N-1] to COM0 Where N is the Multiplex ratio.
00	D3 A[5:0]	1 *	1 *	0 A ₅	1 A ₄	0 A ₃	0 A ₂	1 A ₁	1 A ₀	Set Display Offset	Set vertical shift by COM from 0d~38d. The value is reset to 00h after RESET.
00	DA A[5:4]	1 0	1 0	0 A ₅	1 A ₄	1 0	0 0	1 1	0 0	Set SEG Pins Hardware Configuration	A[4]=0b, Sequential SEG pin configuration A[4]=1b(RESET), Alternative (odd/even) SEG pin configuration A[5]=0b(RESET), Disable SEG Left/Right remap A[5]=1b, Enable SEG Left/Right remap

Table 8-2 : SEG Pins Hardware Configuration

SEG Odd / Even (Left / Right) and Top / Bottom connections are software selectable, thus there are total of 8 cases and they are shown on the followings,

Case no.	Oddeven (1) / Sequential (0) Command : DAh -> A[4]	SEG Remap Command : A0h / A1h	Left / Right Swap Command : DAh -> A[5]	Remark
1	0	0	0	
2	0	0	1	
3	0	1	0	
4	0	1	1	
5	1	0	0	Default
6	1	0	1	
7	1	1	0	
8	1	1	1	





Note:

(1) The above eight figures are all with bump pads being faced up.

5. Timing & Driving scheme Setting Command Table																							
D/C#	Hex	D7	D6	D5	D4	D3	D2	D1	D0	Command	Description												
0	D5 A[7:0]	1 A ₇	1 A ₆	0 A ₅	1 A ₄	0 A ₃	1 A ₂	0 A ₁	1 A ₀	Set Display Clock Divide Ratio/Oscillator Frequency	<p>A[3:0] : Define the divide ratio (D) of the display clocks (DCLK): Divide ratio= A[3:0] + 1, RESET is 0001b (divide ratio = 2)</p> <p>A[7:4] : Set the Oscillator Frequency, F_{osc}. Oscillator Frequency increases with the value of A[7:4] and vice versa. RESET is 1100b</p> <p>Range:0000b~1111b Frequency increases as setting value increases.</p>												
0	D9 A[7:0]	1 A ₇	1 A ₆	0 A ₅	1 A ₄	1 A ₃	0 A ₂	0 A ₁	1 A ₀	Set Pre-charge Period	<p>A[3:0] : Phase 1 period of up to 15 DCLK clocks. 0 is invalid entry (RESET=2h)</p> <p>A[7:4] : Phase 2 period of up to 15 DCLK clocks .0 is invalid entry (RESET=2h)</p>												
0	DB A[6:4]	1 0	1 A ₆	0 A ₅	1 A ₄	1 0	0 0	1 0	1 0	Set V _{COMH} Deselect Level	<table border="1"> <thead> <tr> <th>A[6:4]</th> <th>Hex code</th> <th>V_{COMH} deselect level</th> </tr> </thead> <tbody> <tr> <td>000b</td> <td>00h</td> <td>~ 0.65 x V_{CC}</td> </tr> <tr> <td>010b</td> <td>20h</td> <td>~ 0.77 x V_{CC} (RESET)</td> </tr> <tr> <td>011b</td> <td>30h</td> <td>~ 0.83 x V_{CC}</td> </tr> </tbody> </table>	A[6:4]	Hex code	V _{COMH} deselect level	000b	00h	~ 0.65 x V _{CC}	010b	20h	~ 0.77 x V _{CC} (RESET)	011b	30h	~ 0.83 x V _{CC}
A[6:4]	Hex code	V _{COMH} deselect level																					
000b	00h	~ 0.65 x V _{CC}																					
010b	20h	~ 0.77 x V _{CC} (RESET)																					
011b	30h	~ 0.83 x V _{CC}																					

6. Advance Graphic Command Table

D/C#	Hex	D7	D6	D5	D4	D3	D2	D1	D0	Command	Description												
00	23 A[6:0]	0 *	0 *	1 A ₅	0 A ₄	0 A ₃	0 A ₂	1 A ₁	1 A ₀	Set Fade Out and Blinking	<p>A[5:4] = 00b Disable Fade Out / Blinking Mode[RESET]</p> <p>A[5:4] = 01b Enable Fade In mode. Once Fade In Mode is enabled, contrast increase gradually to original contrast setting. Output follows RAM content when Fade mode is disabled.</p> <p>A[5:4] = 10b Enable Fade Out mode. Once Fade Out Mode is enabled, contrast decrease gradually to all pixels OFF. Output follows RAM content when Fade mode is disabled.</p> <p>A[5:4] = 11b Enable Blinking mode. Once Blinking Mode is enabled, contrast decrease gradually to all pixels OFF and then contrast increase gradually to normal display. This process loop continuously until the Blinking mode is disabled.</p> <p>A[3:0] : Set time interval for each fade step</p> <table border="1"> <tr> <td>A[3:0]</td> <td>Time interval for each fade step</td> </tr> <tr> <td>0000b</td> <td>8 Frames</td> </tr> <tr> <td>0001b</td> <td>16 Frames</td> </tr> <tr> <td>0010b</td> <td>24 Frames</td> </tr> <tr> <td colspan="2" style="text-align: center;">:</td> </tr> <tr> <td>1111b</td> <td>128 Frames</td> </tr> </table> <p>Note (¹) Refer to section 9.3.1 for details.</p>	A[3:0]	Time interval for each fade step	0000b	8 Frames	0001b	16 Frames	0010b	24 Frames	:		1111b	128 Frames
A[3:0]	Time interval for each fade step																						
0000b	8 Frames																						
0001b	16 Frames																						
0010b	24 Frames																						
:																							
1111b	128 Frames																						
00	D6 A[0]	1 0	1 0	0 0	1 0	0 0	1 0	1 0	0 A ₀	Set Zoom In	<p>A[0] = 0b Disable Zoom in Mode[RESET] A[0] = 1b Enable Zoom in Mode</p> <p>Note (¹) The panel must be in alternative COM pin configuration (command DAh A[4] =1) (²) Refer to section 9.3.2 for details.</p>												

7. Charge Pump Command Table

D/C#	Hex	D7	D6	D5	D4	D3	D2	D1	D0	Command	Description
0	8D	1	0	0	0	1	1	0	1	Charge Pump Setting	A[0] = 0b, Select 9V charge pump output (RESET)
0	A[7:0]	*	*	0	1	0	A ₂	0	A ₀		A[0] = 1b, Select 7.5V charge pump output
											A[2] = 0b, Disable charge pump(RESET) A[2] = 1b, Enable charge pump during display on
											Note (1) The Charge Pump must be enabled by the following command sequence: 8Dh ; Charge Pump Setting 14h / 15h ; Enable Charge Pump AFh; Display ON

8. Others

D/C#	Hex	D7	D6	D5	D4	D3	D2	D1	D0	Command	Description
0	E3	1	1	1	0	0	0	1	1	NOP	Command for no operation

Note

(1) “*” stands for “Don’t care”.

Table 8-3 : Read Command Table

Bit Pattern	Command	Description
D ₇ D ₆ D ₅ D ₄ D ₃ D ₂ D ₁ D ₀	Status Register Read	D[7] : Reserved D[6] : “1” for display OFF / “0” for display ON D[5] : Reserved D[4] : Reserved D[3] : Reserved D[2] : Reserved D[1] : Reserved D[0] : Reserved

Note

(1) Patterns other than those given in the Command Table are prohibited to enter the chip as a command; as unexpected results can occur.

8.1 Data Read / Write

To read data from the GDDRAM, select HIGH for both the R/W# (WR#) pin and the D/C# pin for 6800-series parallel mode and select LOW for the E (RD#) pin and HIGH for the D/C# pin for 8080-series parallel mode. No data read is provided in serial mode operation.

In normal data read mode the GDDRAM column address pointer will be increased automatically by one after each data read.

Also, a dummy read is required before the first data read.

To write data to the GDDRAM, select LOW for the R/W# (WR#) pin and HIGH for the D/C# pin for both 6800-series parallel mode and 8080-series parallel mode. The serial interface mode is always in write mode. The GDDRAM column address pointer will be increased automatically by one after each data write.

Table 8-4 : Address increment table (Automatic)

D/C#	R/W# (WR#)	Comment	Address Increment
0	0	Write Command	No
0	1	Read Status	No
1	0	Write Data	Yes
1	1	Read Data	Yes

9 COMMAND DESCRIPTIONS

9.1 Fundamental Command

9.1.1 Set Lower Column Start Address for Page Addressing Mode (00h~0Fh)

This command specifies the lower nibble of the 8-bit column start address for the display data RAM under Page Addressing Mode. The column address will be incremented by each data access. Please refer to Table 8-1 and Section 9.1.3 for details.

9.1.2 Set Higher Column Start Address for Page Addressing Mode (10h~17h)

This command specifies the higher nibble of the 8-bit column start address for the display data RAM under Page Addressing Mode. The column address will be incremented by each data access. Please refer to Table 8-1 and Section 9.1.3 for details.

9.1.3 Set Memory Addressing Mode (20h)

There are 3 different memory addressing mode in SSD1316: page addressing mode, horizontal addressing mode and vertical addressing mode. This command sets the way of memory addressing into one of the above three modes. In there, “COL” means the graphic display data RAM column.

Page addressing mode (A[1:0]=10xb)

In page addressing mode, after the display RAM is read / written, the column address pointer is increased automatically by 1. If the column address pointer reaches column end address, the column address pointer is reset to column start address and page address pointer is not changed. Users have to set the new page and column addresses in order to access the next page RAM content. The sequence of movement of the PAGE and column address point for page addressing mode is shown in Figure 9-1.

Figure 9-1 : Address Pointer Movement of Page addressing mode

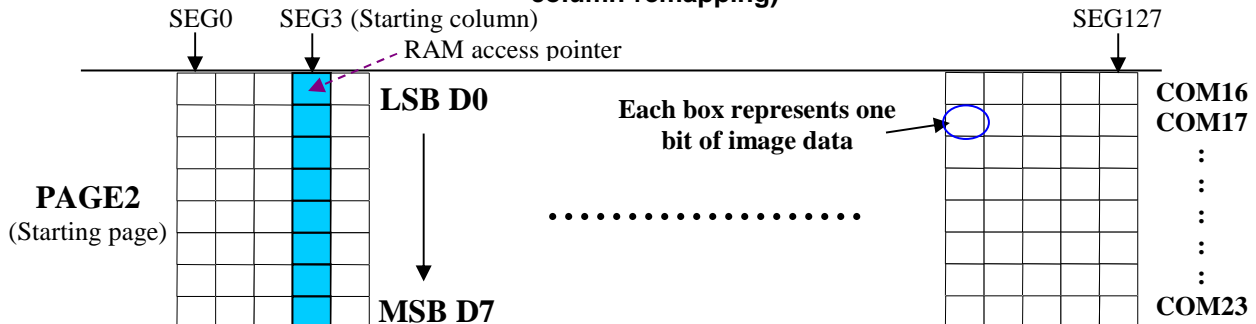
	COL0	COL 1	COL 126	COL 127
PAGE0	→				
PAGE1	→				
PAGE2	→				
PAGE3	→				
PAGE4	→				

In normal display data RAM read or write and page addressing mode, the following steps are required to define the starting RAM access pointer location:

- Set the page start address of the target display location by command B0h to B4h.
- Set the lower start column address of pointer by command 00h~0Fh.
- Set the upper start column address of pointer by command 10h~17h.

For example, if the page address is set to B2h, lower column address is 03h and upper column address is 10h, then that means the starting column is SEG3 of PAGE2. The RAM access pointer is located as shown in Figure 9-2. The input data byte will be written into RAM position of column 3.

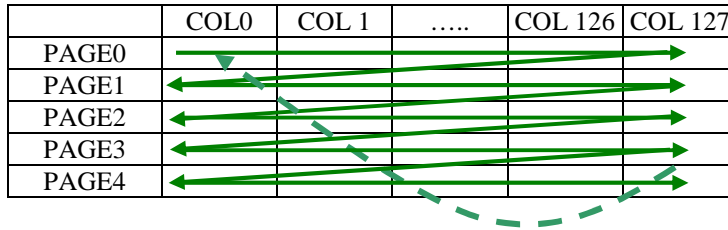
Figure 9-2 : Example of GDDRAM access pointer setting in Page Addressing Mode (No row and column-remapping)



Horizontal addressing mode (A[1:0]=00b)

In horizontal addressing mode, after the display RAM is read / written, the column address pointer is increased automatically by 1. If the column address pointer reaches column end address, the column address pointer is reset to column start address and page address pointer is increased by 1. The sequence of movement of the page and column address point for horizontal addressing mode is shown in Figure 9-3. When both column and page address pointers reach the end address, the pointers are reset to column start address and page start address (Dotted line in Figure 9-3.)

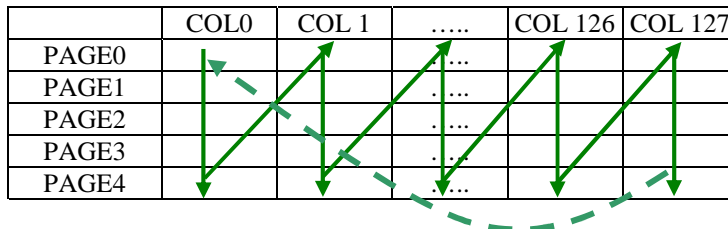
Figure 9-3 : Address Pointer Movement of Horizontal addressing mode



Vertical addressing mode: (A[1:0]=01b)

In vertical addressing mode, after the display RAM is read / written, the page address pointer is increased automatically by 1. If the page address pointer reaches the page end address, the page address pointer is reset to page start address and column address pointer is increased by 1. The sequence of movement of the page and column address point for vertical addressing mode is shown in Figure 9-4. When both column and page address pointers reach the end address, the pointers are reset to column start address and page start address (Dotted line in Figure 9-4.)

Figure 9-4 : Address Pointer Movement of Vertical addressing mode



In normal display data RAM read or write and horizontal / vertical addressing mode, the following steps are required to define the RAM access pointer location:

- Set the column start and end address of the target display location by command 21h.
- Set the page start and end address of the target display location by command 22h.

Example is shown in Figure 9-5.

9.1.4 Set Column Address (21h)

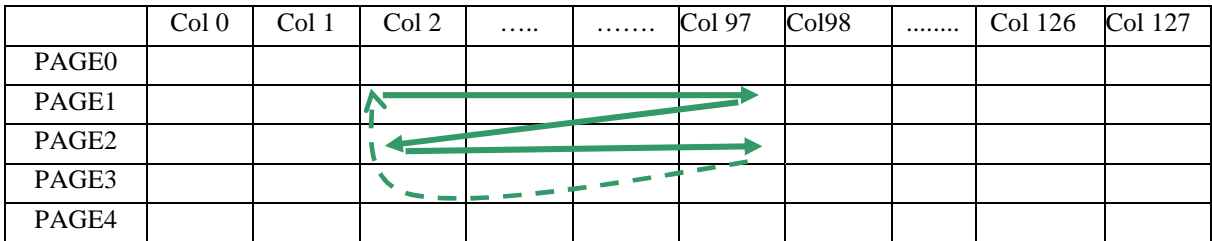
This triple byte command specifies column start address and end address of the display data RAM. This command also sets the column address pointer to column start address. This pointer is used to define the current read/write column address in graphic display data RAM. If horizontal address increment mode is enabled by command 20h, after finishing read/write one column data, it is incremented automatically to the next column address. Whenever the column address pointer finishes accessing the end column address, it is reset back to start column address and the row address is incremented to the next row.

9.1.5 Set Page Address (22h)

This triple byte command specifies page start address and end address of the display data RAM. This command also sets the page address pointer to page start address. This pointer is used to define the current read/write page address in graphic display data RAM. If vertical address increment mode is enabled by command 20h, after finishing read/write one page data, it is incremented automatically to the next page address. Whenever the page address pointer finishes accessing the end page address, it is reset back to start page address.

The figure below shows the way of column and page address pointer movement through the example: column start address is set to 2 and column end address is set to 97, page start address is set to 1 and page end address is set to 2; Horizontal address increment mode is enabled by command 20h. In this case, the graphic display data RAM column accessible range is from column 2 to column 97 and from page 1 to page 2 only. In addition, the column address pointer is set to 2 and page address pointer is set to 1. After finishing read/write one pixel of data, the column address is increased automatically by 1 to access the next RAM location for next read/write operation (solid line in Figure 9-5). Whenever the column address pointer finishes accessing the end column 97, it is reset back to column 2 and page address is automatically increased by 1 (solid line in Figure 9-5). While the end page 2 and end column 97 RAM location is accessed, the page address is reset back to 1 and the column address is reset back to 2 (dotted line in Figure 9-5).

Figure 9-5 : Example of Column and Row Address Pointer Movement



9.1.6 Set Display Start Line (40h~66h)

This command sets the Display Start Line register to determine starting address of display RAM, by selecting a value from 0 to 38. With value equal to 0, RAM row 0 is mapped to COM0. With value equal to 1, RAM row 1 is mapped to COM0 and so on.

Refer to Table 9-1 for more illustrations.

9.1.7 Set Contrast Control (81h)

This command sets the Contrast Setting of the display, with a valid range from 01h to FFh. The segment output current increases as the contrast step value increases.

9.1.8 Set Segment Re-map (A0h/A1h)

This command changes the mapping between the display data column address and the segment driver. It allows flexibility in OLED module design. Please refer to Table 8-2.

This command only affects subsequent data input. Data already stored in GDDRAM will have no changes.

9.1.9 Entire Display ON (A4h/A5h)

A4h command enable display outputs according to the GDDRAM contents.

If A5h command is issued, then by using A4h command, the display will resume to the GDDRAM contents.

In other words, A4h command resumes the display from entire display “ON” stage.

A5h command forces the entire display to be “ON”, regardless of the contents of the display data RAM.

9.1.10 Set Normal/Inverse Display (A6h/A7h)

This command sets the display to be either normal or inverse. In normal display a RAM data of 1 indicates an “ON” pixel while in inverse display a RAM data of 0 indicates an “ON” pixel.

9.1.11 Set Multiplex Ratio (A8h)

This command switches the default 39 multiplex mode to any multiplex ratio, ranging from 8 to 39. The output pads COM0~COM38 will be switched to the corresponding COM signal.

9.1.12 External or Internal V_{COMH} Selection / External or internal I_{REF} Selection (ADh)

This double byte command consists of two functions:

- External or Internal V_{COMH} Selection (A[1])
When A[1] = '0', Select external V_{COMH}. When external V_{COMH} is selected, the V_{COMH} pin must be connected to V_{CC}.
Default A[1] = '1', Select internal V_{COMH}
- External or Internal I_{REF} Selection (A[4])
Default A[4] = '0', Select external I_{REF}.
When A[4] = '1', Select internal I_{REF} during display ON. Refer to Section 7.8 for details.

9.1.13 Set Display ON/OFF (AEh/AFh)

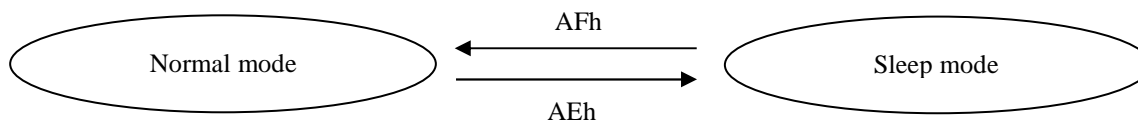
These single byte commands are used to turn the OLED panel display ON or OFF.

When the display is ON, the selected circuits by Set Master Configuration command will be turned ON.

When the display is OFF, those circuits will be turned OFF and the segment and common output are in V_{SS} state and high impedance state, respectively. These commands set the display to one of the two states:

- AEh : Display OFF
- AFh : Display ON

Figure 9-6 : Transition between different modes



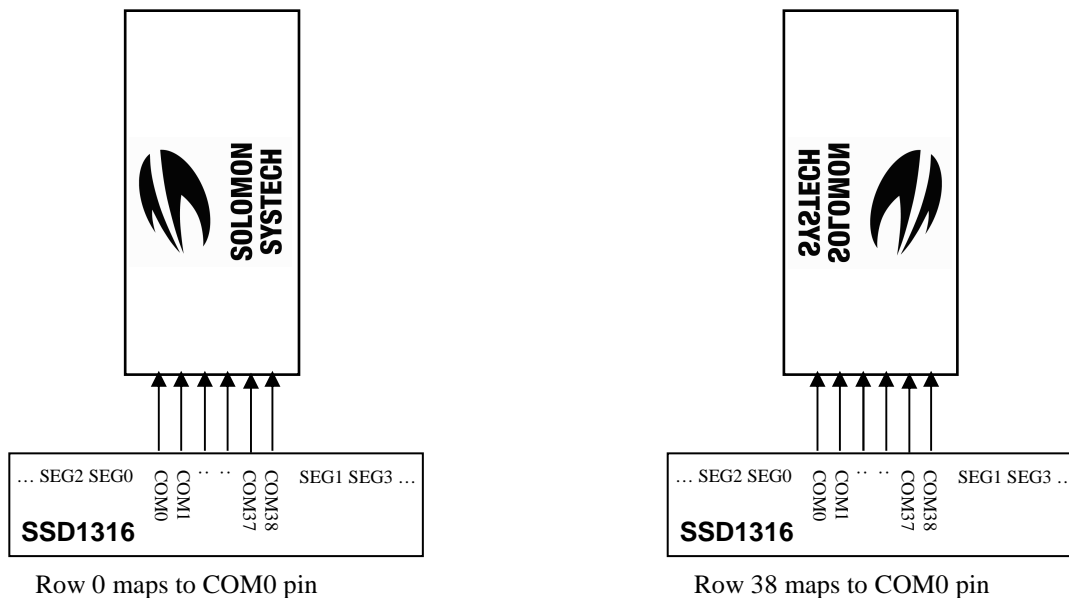
9.1.14 Set Page Start Address for Page Addressing Mode (B0h~B4h)

This command positions the page start address from 0 to 4 in GDDRAM under Page Addressing Mode. Please refer to Table 8-1 and Section 9.1.3 for details.

9.1.15 Set COM Output Scan Direction (C0h/C8h)

This command sets the scan direction of the COM output, allowing layout flexibility in the OLED module design. Additionally, the display will show once this command is issued. For example, if this command is sent during normal display, then the graphic display will be vertically flipped immediately. Please refer to Figure 9-7 and Table 9-2 for details.

Figure 9-7 : Example of row address mapping



9.1.16 Set Display Offset (D3h)

This is a double byte command. The second command specifies the mapping of the display start line to one of COM0~COM38 (assuming that COM0 is the display start line then the display start line register is equal to 0).

For example, to move the COM4 towards the COM0 direction by 4 lines the 6-bit data in the second byte should be given as 000100b. To move in the opposite direction by 4 lines the 6-bit data should be given by 39 – 4, so the second byte would be 100011b. The following two tables (Table 9-1, Table 9-2) show the examples of setting the command C0h/C8h and D3h.

Table 9-1 : Example of Set Display Offset and Display Start Line without Remap

Hardware pin name	Output											
	39		39		39		32		32		32	
	Normal		Normal		Normal		Normal		Normal		Normal	
	0	4	0	4	0	4	0	4	0	4	0	4
COM0	ROW0	RAM0	ROW4	RAM4	ROW0	RAM4	ROW0	RAM0	ROW4	RAM4	ROW0	RAM4
COM1	ROW1	RAM1	ROW5	RAM5	ROW1	RAM5	ROW1	RAM1	ROW5	RAM5	ROW1	RAM5
COM2	ROW2	RAM2	ROW6	RAM6	ROW2	RAM6	ROW2	RAM2	ROW6	RAM6	ROW2	RAM6
COM3	ROW3	RAM3	ROW7	RAM7	ROW3	RAM7	ROW3	RAM3	ROW7	RAM7	ROW3	RAM7
COM4	ROW4	RAM4	ROW8	RAM8	ROW4	RAM8	ROW4	RAM4	ROW8	RAM8	ROW4	RAM8
COM5	ROW5	RAM5	ROW9	RAM9	ROW5	RAM9	ROW5	RAM5	ROW9	RAM9	ROW5	RAM9
COM6	ROW6	RAM6	ROW10	RAM10	ROW6	RAM10	ROW6	RAM6	ROW10	RAM10	ROW6	RAM10
COM7	ROW7	RAM7	ROW11	RAM11	ROW7	RAM11	ROW7	RAM7	ROW11	RAM11	ROW7	RAM11
COM8	ROW8	RAM8	ROW12	RAM12	ROW8	RAM12	ROW8	RAM8	ROW12	RAM12	ROW8	RAM12
COM9	ROW9	RAM9	ROW13	RAM13	ROW9	RAM13	ROW9	RAM9	ROW13	RAM13	ROW9	RAM13
COM10	ROW10	RAM10	ROW14	RAM14	ROW10	RAM14	ROW10	RAM10	ROW14	RAM14	ROW10	RAM14
COM11	ROW11	RAM11	ROW15	RAM15	ROW11	RAM15	ROW11	RAM11	ROW15	RAM15	ROW11	RAM15
COM12	ROW12	RAM12	ROW16	RAM16	ROW12	RAM16	ROW12	RAM12	ROW16	RAM16	ROW12	RAM16
COM13	ROW13	RAM13	ROW17	RAM17	ROW13	RAM17	ROW13	RAM13	ROW17	RAM17	ROW13	RAM17
COM14	ROW14	RAM14	ROW18	RAM18	ROW14	RAM18	ROW14	RAM14	ROW18	RAM18	ROW14	RAM18
COM15	ROW15	RAM15	ROW19	RAM19	ROW15	RAM19	ROW15	RAM15	ROW19	RAM19	ROW15	RAM19
COM16	ROW16	RAM16	ROW20	RAM20	ROW16	RAM20	ROW16	RAM16	ROW20	RAM20	ROW16	RAM20
COM17	ROW17	RAM17	ROW21	RAM21	ROW17	RAM21	ROW17	RAM17	ROW21	RAM21	ROW17	RAM21
COM18	ROW18	RAM18	ROW22	RAM22	ROW18	RAM22	ROW18	RAM18	ROW22	RAM22	ROW18	RAM22
COM19	ROW19	RAM19	ROW23	RAM23	ROW19	RAM23	ROW19	RAM19	ROW23	RAM23	ROW19	RAM23
COM20	ROW20	RAM20	ROW24	RAM24	ROW20	RAM24	ROW20	RAM20	ROW24	RAM24	ROW20	RAM24
COM21	ROW21	RAM21	ROW25	RAM25	ROW21	RAM25	ROW21	RAM21	ROW25	RAM25	ROW21	RAM25
COM22	ROW22	RAM22	ROW26	RAM26	ROW22	RAM26	ROW22	RAM22	ROW26	RAM26	ROW22	RAM26
COM23	ROW23	RAM23	ROW27	RAM27	ROW23	RAM27	ROW23	RAM23	ROW27	RAM27	ROW23	RAM27
COM24	ROW24	RAM24	ROW28	RAM28	ROW24	RAM28	ROW24	RAM24	ROW28	RAM28	ROW24	RAM28
COM25	ROW25	RAM25	ROW29	RAM29	ROW25	RAM29	ROW25	RAM25	ROW29	RAM29	ROW25	RAM29
COM26	ROW26	RAM26	ROW30	RAM30	ROW26	RAM30	ROW26	RAM26	ROW30	RAM30	ROW26	RAM30
COM27	ROW27	RAM27	ROW31	RAM31	ROW27	RAM31	ROW27	RAM27	ROW31	RAM31	ROW27	RAM31
COM28	ROW28	RAM28	ROW32	RAM32	ROW28	RAM32	ROW28	RAM28	-	-	ROW28	RAM32
COM29	ROW29	RAM29	ROW33	RAM33	ROW29	RAM33	ROW29	RAM29	-	-	ROW29	RAM33
COM30	ROW30	RAM30	ROW34	RAM34	ROW30	RAM34	ROW30	RAM30	-	-	ROW30	RAM34
COM31	ROW31	RAM31	ROW35	RAM35	ROW31	RAM35	ROW31	RAM31	-	-	ROW31	RAM35
COM32	ROW32	RAM32	ROW36	RAM36	ROW32	RAM36	-	-	-	-	-	-
COM33	ROW33	RAM33	ROW37	RAM37	ROW33	RAM37	-	-	-	-	-	-
COM34	ROW34	RAM34	ROW38	RAM38	ROW34	RAM38	-	-	-	-	-	-
COM35	ROW35	RAM35	ROW0	RAM0	ROW35	RAM0	-	-	ROW0	RAM0	-	-
COM36	ROW36	RAM36	ROW1	RAM1	ROW36	RAM1	-	-	ROW1	RAM1	-	-
COM37	ROW37	RAM37	ROW2	RAM2	ROW37	RAM2	-	-	ROW2	RAM2	-	-
COM38	ROW38	RAM38	ROW3	RAM3	ROW38	RAM3	-	-	ROW3	RAM3	-	-
Display examples	(a)	(b)	(c)	(d)	(e)	(f)						

Set MUX ration (A8h)
COM normal / remap (C0h / C8h)
Display offset (D3h)
Display start line (40h - 66h)

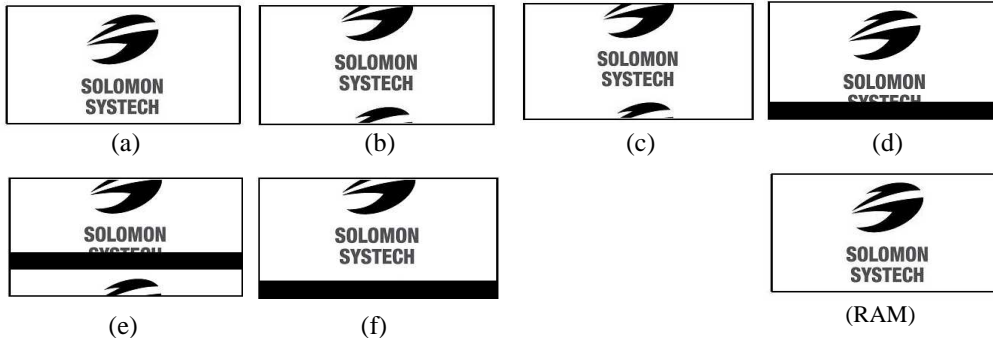
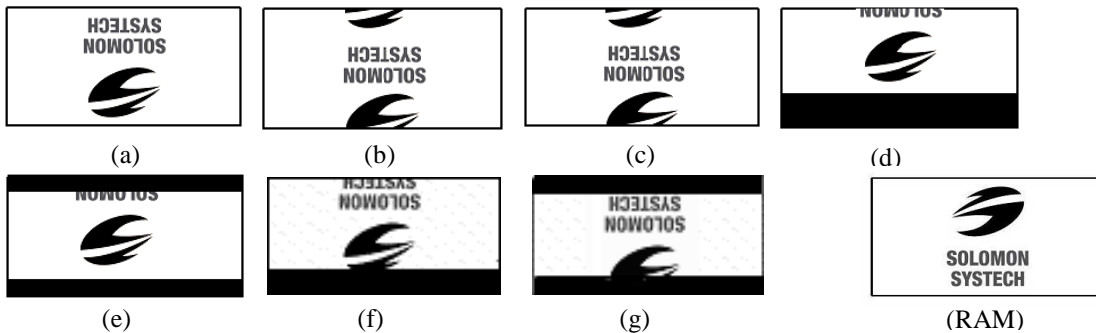


Table 9-2 : Example of Set Display Offset and Display Start Line with Remap

Hardware pin name	Output												Set MUX ration (A8h) COM normal / remap (C0h / C8h) Display offset (D3h) Display start line (40h - 66h)		
	39		39		39		32		32		32				
	Remap		Remap		Remap		Remap		Remap		Remap				
	0	4	0	4	0	4	0	4	0	4	0	4			
COM0	ROW38	RAM38	ROW18	RAM3	ROW38	RAM3	ROW31	RAM31	-	-	ROW31	RAM35	-	-	-
COM1	ROW37	RAM37	ROW12	RAM2	ROW37	RAM2	ROW30	RAM30	-	-	ROW30	RAM34	-	-	-
COM2	ROW36	RAM36	ROW11	RAM1	ROW36	RAM1	ROW29	RAM29	-	-	ROW29	RAM33	-	-	-
COM3	ROW35	RAM35	ROW0	RAM0	ROW35	RAM0	ROW28	RAM28	-	-	ROW28	RAM32	-	-	-
COM4	ROW34	RAM34	ROW38	RAM38	ROW34	RAM38	ROW27	RAM27	ROW31	RAM31	ROW27	RAM31	ROW31	RAM0	-
COM5	ROW33	RAM33	RAM37	RAM37	ROW33	RAM37	ROW26	RAM26	ROW30	RAM30	ROW26	RAM30	ROW30	RAM38	-
COM6	ROW32	RAM32	RAM36	RAM36	ROW32	RAM36	ROW25	RAM25	ROW29	RAM29	ROW25	RAM29	ROW29	RAM37	-
COM7	ROW31	RAM31	RAM35	RAM35	ROW31	RAM35	ROW24	RAM24	ROW28	RAM28	ROW24	RAM28	ROW28	RAM36	-
COM8	ROW30	RAM30	RAM34	RAM34	ROW30	RAM34	ROW23	RAM23	ROW27	RAM27	ROW23	RAM27	ROW27	RAM35	-
COM9	ROW29	RAM29	RAM33	RAM33	ROW29	RAM33	ROW22	RAM22	ROW26	RAM26	ROW22	RAM26	ROW26	RAM34	-
COM10	ROW28	RAM28	RAM32	RAM32	ROW28	RAM32	ROW21	RAM21	ROW25	RAM25	ROW21	RAM25	ROW25	RAM33	-
COM11	ROW27	RAM27	RAM31	RAM31	ROW27	RAM31	ROW20	RAM20	ROW24	RAM24	ROW20	RAM24	ROW24	RAM32	-
COM12	ROW26	RAM26	RAM30	RAM30	ROW26	RAM30	ROW19	RAM19	ROW23	RAM23	ROW19	RAM23	ROW23	RAM31	-
COM13	ROW25	RAM25	RAM29	RAM29	ROW25	RAM29	ROW18	RAM18	ROW22	RAM22	ROW18	RAM22	ROW22	RAM30	-
COM14	ROW24	RAM24	RAM28	RAM28	ROW24	RAM28	ROW17	RAM17	ROW21	RAM21	ROW17	RAM21	ROW21	RAM29	-
COM15	ROW23	RAM23	RAM27	RAM27	ROW23	RAM27	ROW16	RAM16	ROW20	RAM20	ROW16	RAM20	ROW20	RAM28	-
COM16	ROW22	RAM22	RAM26	RAM26	ROW22	RAM26	ROW15	RAM15	ROW19	RAM19	ROW15	RAM19	ROW19	RAM27	-
COM17	ROW21	RAM21	RAM25	RAM25	ROW21	RAM25	ROW14	RAM14	ROW18	RAM18	ROW14	RAM18	ROW18	RAM26	-
COM18	ROW20	RAM20	RAM24	RAM24	ROW20	RAM24	ROW13	RAM13	ROW17	RAM17	ROW13	RAM17	ROW17	RAM25	-
COM19	ROW19	RAM19	RAM23	RAM23	ROW19	RAM23	ROW12	RAM12	ROW16	RAM16	ROW12	RAM16	ROW16	RAM24	-
COM20	ROW18	RAM18	RAM22	RAM22	ROW18	RAM22	ROW11	RAM11	ROW15	RAM15	ROW11	RAM15	ROW15	RAM23	-
COM21	ROW17	RAM17	RAM21	RAM21	ROW17	RAM21	ROW10	RAM10	ROW14	RAM14	ROW10	RAM14	ROW14	RAM22	-
COM22	ROW16	RAM16	RAM20	RAM20	ROW16	RAM20	ROW9	RAM9	ROW13	RAM13	ROW9	RAM13	ROW13	RAM21	-
COM23	ROW15	RAM15	RAM19	RAM19	ROW15	RAM19	ROW8	RAM8	ROW12	RAM12	ROW8	RAM12	ROW12	RAM20	-
COM24	ROW14	RAM14	RAM18	RAM18	ROW14	RAM18	ROW7	RAM7	ROW11	RAM11	ROW7	RAM11	ROW11	RAM19	-
COM25	ROW13	RAM13	RAM17	RAM17	ROW13	RAM17	ROW6	RAM6	ROW10	RAM10	ROW6	RAM10	ROW10	RAM18	-
COM26	ROW12	RAM12	RAM16	RAM16	ROW12	RAM16	ROW5	RAM5	ROW9	RAM9	ROW5	RAM9	ROW9	RAM17	-
COM27	ROW11	RAM11	RAM15	RAM15	ROW11	RAM15	ROW4	RAM4	ROW8	RAM8	ROW4	RAM8	ROW8	RAM16	-
COM28	ROW10	RAM10	RAM14	RAM14	ROW10	RAM14	ROW3	RAM3	ROW7	RAM7	ROW3	RAM7	ROW7	RAM15	-
COM29	ROW9	RAM9	RAM13	RAM13	ROW9	RAM13	ROW2	RAM2	ROW6	RAM6	ROW2	RAM6	ROW6	RAM14	-
COM30	ROW8	RAM8	RAM12	RAM12	ROW8	RAM12	ROW1	RAM1	ROW5	RAM5	ROW1	RAM5	ROW5	RAM13	-
COM31	ROW7	RAM7	RAM11	RAM11	ROW7	RAM11	ROW0	RAM0	ROW4	RAM4	ROW0	RAM4	ROW4	RAM12	-
COM32	ROW6	RAM6	RAM10	RAM10	ROW6	RAM10	-	-	ROW3	RAM3	-	-	ROW3	RAM11	-
COM33	ROW5	RAM5	RAM9	RAM9	ROW5	RAM9	-	-	ROW2	RAM2	-	-	ROW2	RAM10	-
COM34	ROW4	RAM4	RAM8	RAM8	ROW4	RAM8	-	-	ROW1	RAM1	-	-	ROW1	RAM9	-
COM35	ROW3	RAM3	RAM7	RAM7	ROW3	RAM7	-	-	ROW0	RAM0	-	-	ROW0	RAM8	-
COM36	ROW2	RAM2	RAM6	RAM6	ROW2	RAM6	-	-	-	-	-	-	-	-	-
COM37	ROW1	RAM1	RAM5	RAM5	ROW1	RAM5	-	-	-	-	-	-	-	-	-
COM38	ROW0	RAM0	RAM4	RAM4	ROW0	RAM4	-	-	-	-	-	-	-	-	-
Display examples	(a)	(b)	(c)	(d)	(e)	(f)	(g)								



9.1.17 Set Display Clock Divide Ratio/ Oscillator Frequency (D5h)

This command consists of two functions:

- Display Clock Divide Ratio (D) (A[3:0])
Set the divide ratio to generate DCLK (Display Clock) from CLK. The divide ratio is from 1 to 16, with reset value = 0001b. Please refer to section 7.3 for the details relationship of DCLK and CLK.
- Oscillator Frequency (A[7:4])
Program the oscillator frequency Fosc that is the source of CLK if CLS pin is pulled high. The 4-bit value results in 16 different frequency settings available as shown below. The default setting is 1100b.

9.1.18 Set Pre-charge Period (D9h)

This command is used to set the duration of the pre-charge period. The interval is counted in number of DCLK, where RESET equals to 2 DCLKs.

9.1.19 Set COM Pins Hardware Configuration (DAh)

This command sets the COM signals pin configuration to match the OLED panel hardware layout. Table 8-2 shows the COM pin configuration under different conditions (for MUX ratio = 39).

9.1.20 Set V_{COMH} Deselect Level (DBh)

This command adjusts the VCOMH regulator output.

9.1.21 NOP (E3h)

No Operation Command

9.1.22 Status register Read

This command is issued by setting D/C# ON LOW during a data read (See Figure 12-1 to Figure 12-2 for parallel interface waveform). It allows the MCU to monitor the internal status of the chip. No status read is provided for serial mode.

9.1.23 Charge Pump Setting (8Dh)

This command controls the ON/OFF of the Charge Pump. The Charge Pump must be enabled by the following command sequence:

- 8Dh ; Charge Pump Setting
- 14h or 15h; Enable Charge Pump at selectable 9V mode or 7.5V mode
- AFh; Display ON

9.2 Graphic Acceleration Command

9.2.1 Horizontal Scroll Setup (26h/27h)

This command consists of 7 consecutive bytes to set up the horizontal scroll parameters and determines the scrolling start page, end page, start column, end column and scrolling speed.

Before issuing this command the horizontal scroll must be deactivated (2Eh). Otherwise, RAM content may be corrupted.

The SSD1316 horizontal scroll is designed for 128 columns scrolling. The following two figures (Figure 9-8, Figure 9-9, and Figure 9-10) show the examples of using the horizontal scroll:

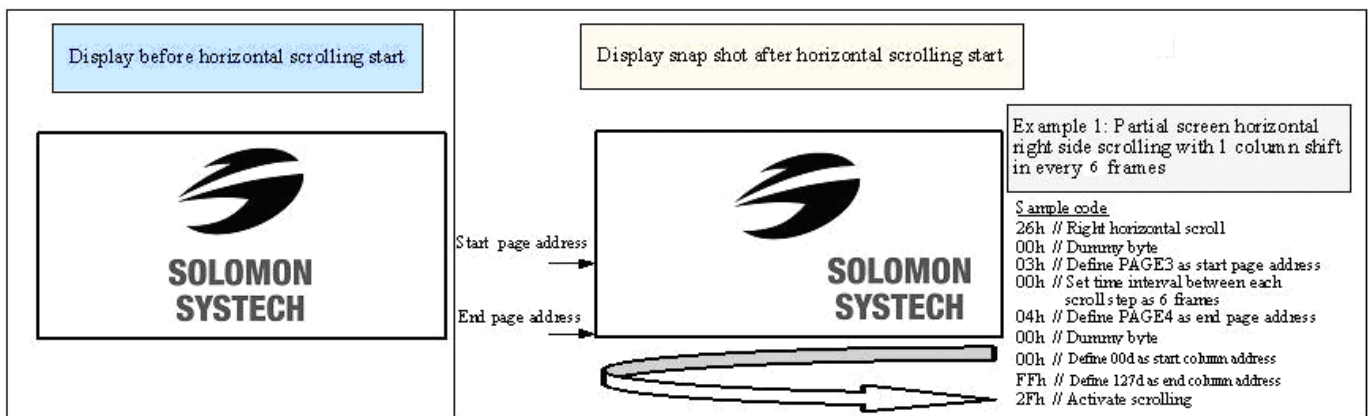
Figure 9-8 : Horizontal scroll example: Scroll RIGHT by 1 column

Original Setting	SEG0	SEG1	SEG2	SEG3	SEG4	SEG5	SEG122	SEG123	SEG124	SEG125	SEG126	SEG127
After one scroll step	SEG127	SEG0	SEG1	SEG2	SEG3	SEG4	SEG121	SEG122	SEG123	SEG124	SEG125	SEG126

Figure 9-9 : Horizontal scroll example: Scroll LEFT by 1 column

Original Setting	SEG0	SEG1	SEG2	SEG3	SEG4	SEG5	SEG122	SEG123	SEG124	SEG125	SEG126	SEG127
After one scroll step	SEG1	SEG2	SEG3	SEG4	SEG5	SEG6	SEG123	SEG124	SEG125	SEG126	SEG127	SEG0

Figure 9-10 : Horizontal scrolling setup example



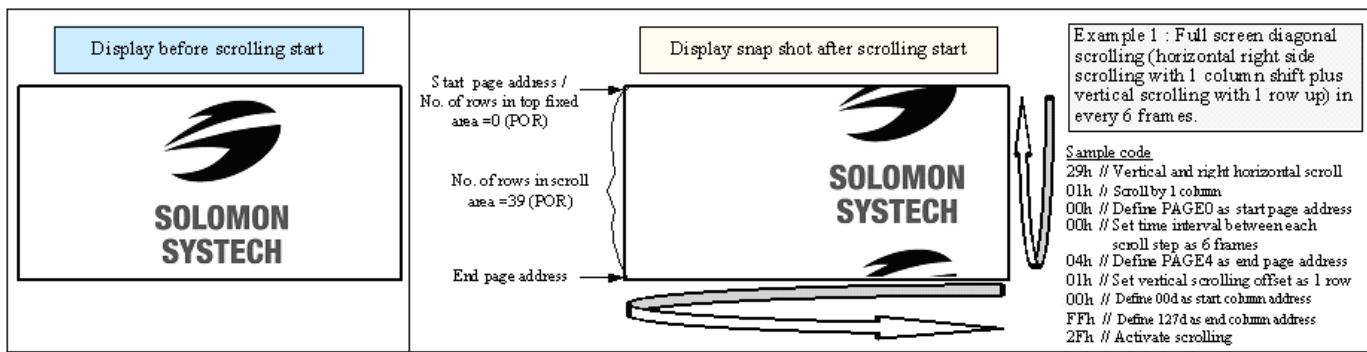
9.2.2 Continuous Vertical and Horizontal Scroll Setup (29h/2Ah)

This command consists of 7 consecutive bytes to set up the continuous vertical scroll parameters and determines the scrolling start page, end page, start column, end column, scrolling speed, horizontal and vertical scrolling offset.

The bytes A[0], B[2:0], C[2:0], D[2:0], E[5:0], F[6:0] and G[6:0] of command 29h/2Ah are for the setting of the continuous horizontal scrolling. The byte E[5:0] is for the setting of the continuous vertical scrolling offset. All these bytes together are for the setting of continuous diagonal (horizontal + vertical) scrolling. If the vertical scrolling offset byte E[5:0] is set to zero, then only horizontal scrolling is performed (like command 26/27h).

Before issuing this command the scroll must be deactivated (2Eh). Otherwise, RAM content may be corrupted. The following figure (Figure 9-11) show the example of using the continuous vertical and horizontal scroll:

Figure 9-11 : Continuous Vertical and Horizontal scrolling setup example



9.2.3 Deactivate Scroll (2Eh)

This command stops the motion of scrolling. After sending 2Eh command to deactivate the scrolling action, the ram data needs to be rewritten.

9.2.4 Activate Scroll (2Fh)

This command starts the motion of scrolling and should only be issued after the scroll setup parameters have been defined by the scrolling setup commands: 26h / 27h / 29h / 2Ah. The setting in the latest scrolling setup command overwrites the setting in the previous scrolling setup command.

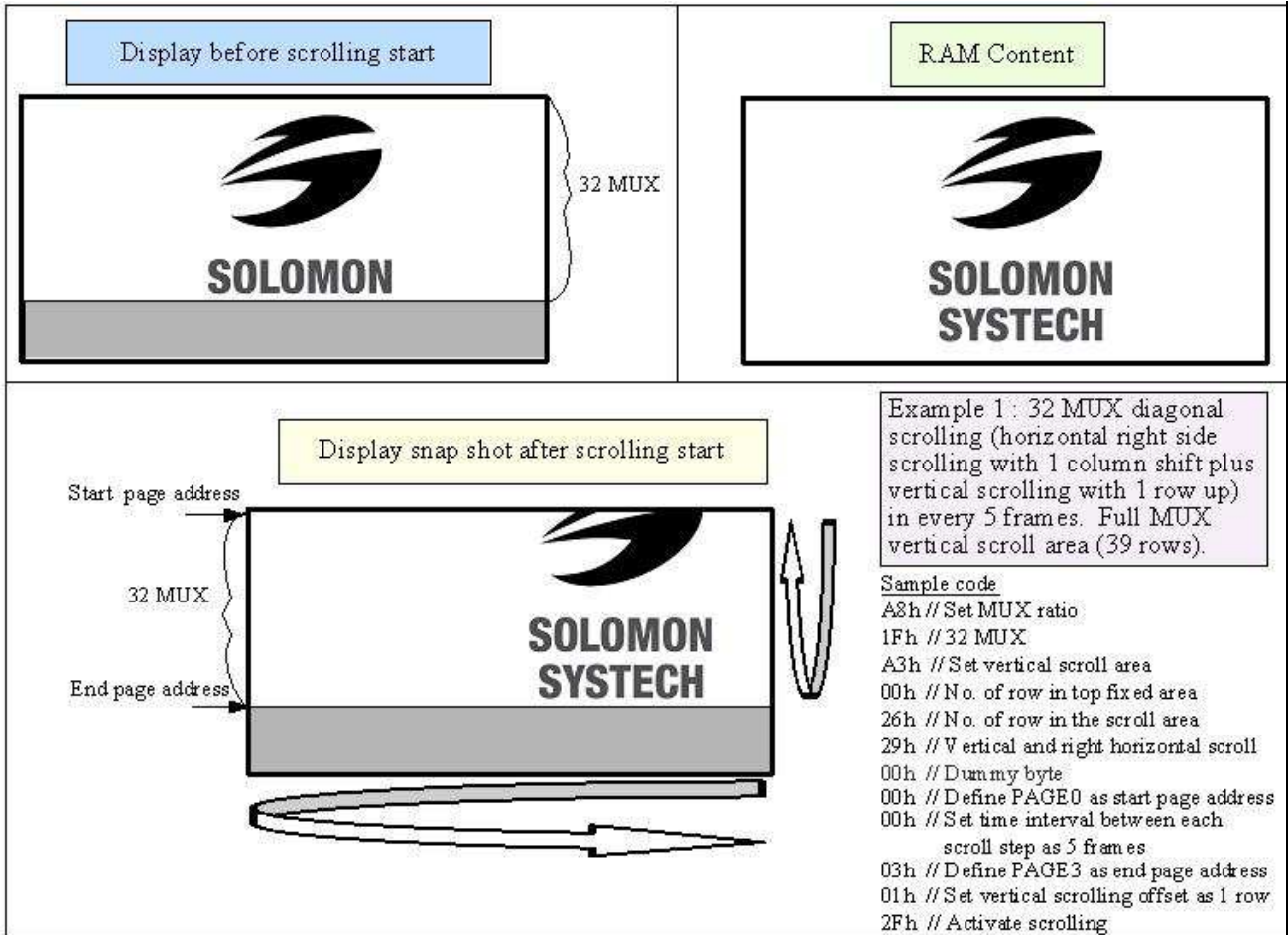
The following actions are prohibited after the scrolling is activated

1. RAM access (Data write or read)
2. Changing the horizontal scroll setup parameters

9.2.5 Set Vertical Scroll Area (A3h)

This command consists of 3 consecutive bytes to set up the vertical scroll area. For the continuous vertical scroll function (command 29h / 2Ah), the number of rows in the vertical scroll area can be set smaller than or equating to the MUX ratio. Figure 9-12 shows some vertical scrolling example with different settings in vertical scroll area.

Figure 9-12 : Vertical scroll area setup examples

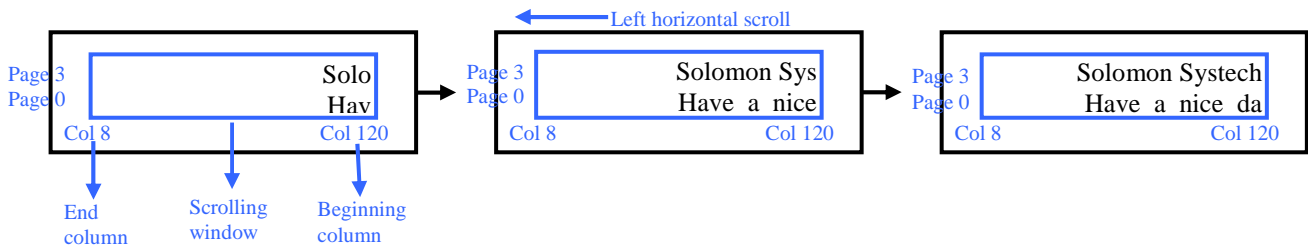


9.2.6 Content Scroll Setup (2Ch/2Dh)

This command consists of seven consecutive bytes to set up the horizontal scroll parameters and determine the scrolling start page, end page, start column and end column. One column will be scrolled horizontally by sending the setting of command 2Ch / 2Dh once.

When command 2Ch / 2Dh are sent consecutively, a delay time of Frame Frequency of 2 must be set. Figure 9-13 shown an example of using 2Dh “Content Scroll Setup” command for horizontal scrolling to left with infinite content update. In there, “Col” means the graphic display data RAM column.

Figure 9-13: Content Scrolling example (2Dh, Left Horizontal Scroll by one column)



By using command 2Ch/2Dh, RAM contents are scrolled and updated by one column. Table 9-3 is an example of content scrolling setting of SSD1316 (scrolling window of 4 pages). The values of registers depend on different conditions and applications.

Table 9-3 : Content Scrolling software flow example (Page addressing mode – command 20h, 02h)

Step	Action	D/C#	Code	Remarks
1	For i= 1 to n	-	-	Create “For loop” for infinite content scrolling
2	Set Content scrolling command (scrolling window : Page 0 to 3, Col 8 to Col 120)	0	2Dh	Left Horizontal Scroll by one column
		0	00h	A[7:0] : Dummy byte (Set as 00h)
		0	00h	B[2:0] : Define start page address
		0	01h	C[7:0] : Dummy byte (Set as 01h)
		0	03h	D[2:0] : Define end page address
		0	00h	E[7:0] : Dummy byte (Set as 00h)
		0	08h	F[6:0] : Define start column address
		0	78h	G[6:0] : Define end column address
3	Add Delay time of $2/FrameFreq$	-	-	E.g. Delay 20ms if frame freq \approx 100Hz
4	Write RAM on the beginning column of the scrolling window			
	Write RAM on (Page0, Col 120) <i>(Content update in beginning column)</i>	0	B0h	Set Page Start Address for Page Addressing Mode
		0	17h	Set Higher Column Start Address for Page Addressing Mode
		0	08h	Set Lower Column Start Address for Page Addressing Mode
		1	-	Write data to fill the RAM
	Write RAM on (Page1, Col 120) <i>(Content update in beginning column)</i>	0	B1h	Set Page Start Address for Page Addressing Mode
		0	17h	Set Higher Column Start Address for Page Addressing Mode
		0	08h	Set Lower Column Start Address for Page Addressing Mode
		1	-	Write data to fill the RAM
	Write RAM on (Page2, Col 120) <i>(Content update in beginning column)</i>	0	B2h	Set Page Start Address for Page Addressing Mode
		0	17h	Set Higher Column Start Address for Page Addressing Mode
		0	08h	Set Lower Column Start Address for Page Addressing Mode
		1	-	Write data to fill the RAM
	Write RAM on (Page3, Col 120) <i>(Content update in beginning column)</i>	0	B3h	Set Page Start Address for Page Addressing Mode
		0	17h	Set Higher Column Start Address for Page Addressing Mode
		0	08h	Set Lower Column Start Address for Page Addressing Mode
		1	-	Write data to fill the RAM
5	i=i+1	-	-	Go to next “For loop”
	Delay timing	-	-	Set time interval between each scroll step if necessary
	End			

There are 3 different memory addressing mode in SSD1316: page addressing mode, horizontal addressing mode and vertical addressing mode and it is selected by command 20h. Table 9-3 is an example of content scrolling software flow under page addressing mode, while vertical addressing mode example is shown in below Table 9-4.

Table 9-4 : Content Scrolling setting example (Vertical addressing mode – command 20h, 01h)

Step	Action	D/C#	Code	Remarks
1	For i= 1 to n	-	-	Create “For loop” for infinite content scrolling
2	Set Content scrolling command (scrolling window : Page 0 to 3, Col 8 to Col 120)	0	2Dh	Left Horizontal Scroll by one column
0		00h	A[6:0] : Dummy byte (Set as 00h)	
0		00h	B[2:0] : Define start page address	
0		01h	C[2:0] : Dummy byte (Set as 01h)	
0		03h	D[2:0] : Define end page address	
0		00h	E[6:0] : Dummy byte (Set as 00h)	
0		08h	F[6:0] : Define start column address	
0		78h	G[6:0] : Define end column address	
3	Add Delay time of $2/FrameFreq$	-	-	E.g. Delay 20ms if frame freq \approx 100Hz
4	Write RAM on the beginning column of the scrolling window (Page 0 to 3, Col 120) <i>(Content update in beginning column)</i>	0	21h	Set Column address
0		78h	Set column start address for Vertical Addressing Mode	
0		78h	Set column end address for Vertical Addressing Mode	
0		22h	Set Page address	
0		00h	Set start page address for Vertical Addressing Mode	
0		03h	Set end page address for Vertical Addressing Mode	
1		-	Write data to fill the RAM	
5	i=i+1	-	-	Go to next “For loop”
	Delay timing	-	-	Set time interval between each scroll step if necessary
	End			

9.3 Advance Graphic Command

9.3.1 Set Fade Out / Fade In and Blinking (23h)

This command allow to set the fade mode and adjust the time interval for each fade step. Below figures show the example of Fade Out mode and Blinking mode.

Figure 9-14 : Example of Fade Out mode

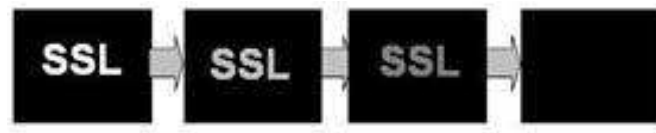


Figure 9-15 : Example of Fade In mode

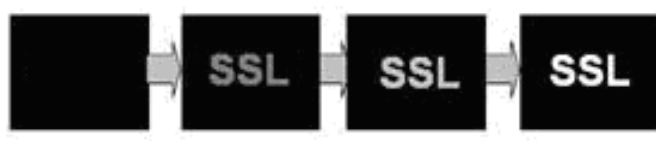


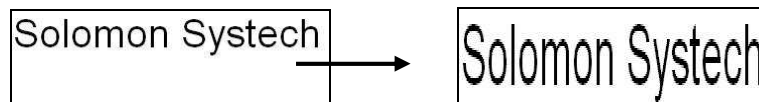
Figure 9-16 : Example of Blinking mode



9.3.2 Set Zoom In (D6h)

Under Zoom in mode, one row of display contents is expanded into two rows on the display. That is, contents of row0~31 fill the whole display panel of 39 rows. It should be notice that the panel must be in alternative COM pin configuration (command DAh A[4] =1) for zoom in function.

Figure 9-17 : Example of Zoom In



10 MAXIMUM RATINGS

Table 10-1 : Maximum Ratings (Voltage Referenced to V_{SS})

Symbol	Parameter	Value	Unit
V _{DD}	Supply Voltage	-0.3 to +4	V
V _{BAT}		-0.3 to +5	V
V _{CC}		0 to 16	V
V _{SEG}	SEG output voltage	0 to V _{CC}	V
V _{COM}	COM output voltage	0 to 0.9*V _{CC}	V
V _{in}	Input voltage	V _{SS} -0.3 to V _{DD} +0.3	V
T _A	Operating Temperature	-40 to +85	°C
T _{stg}	Storage Temperature Range	-65 to +150	°C

Maximum ratings are those values beyond which damages to the device may occur. Functional operation should be restricted to the limits in the Electrical Characteristics tables or Pin Description section

This device may be light sensitive. Caution should be taken to avoid exposure of this device to any light source during normal operation. This device is not radiation protected.

11 DC CHARACTERISTICS

Condition (Unless otherwise specified):

Voltage referenced to V_{SS} , $V_{DD} = 1.65\text{ V to }3.3\text{ V}$, $T_A = 25^\circ\text{C}$

Table 11-1 : DC Characteristics

Symbol	Parameter	Test Condition	Min	Typ	Max	Unit
V_{CC}	Operating Voltage	-	7	-	15	V
V_{DD}	Logic Supply Voltage	-	1.65	-	3.3	V
V_{BAT}	Charge Pump Regulator Supply Voltage	-	3	-	4.2	V
Charge Pump V_{CC}	Charge Pump Output Voltage	$V_{BAT} = 3\text{V}\sim 4.2\text{V}$, Output loading = 8mA	7	7.5	-	V
		$V_{BAT} = 3.8\text{V}\sim 4.2\text{V}$, Output loading = 12mA	8.5	9	-	V
V_{OH}	High Logic Output Level	$I_{OUT} = 100\mu\text{A}$, 3.3MHz	$0.9 \times V_{DD}$	-	-	V
V_{OL}	Low Logic Output Level	$I_{OUT} = 100\mu\text{A}$, 3.3MHz	-	-	$0.1 \times V_{DD}$	V
V_{IH}	High Logic Input Level	-	$0.8 \times V_{DD}$	-	-	V
V_{IL}	Low Logic Input Level	-	-	-	$0.2 \times V_{DD}$	V
$I_{DD,SLEEP}$	Sleep mode Current	$V_{DD} = 1.65\text{V}\sim 3.3\text{V}$, $V_{CC} = 7\text{V}\sim 15\text{V}$ Display OFF, No panel attached	-	-	10	μA
$I_{CC,SLEEP}$	Sleep mode Current	$V_{DD} = 1.65\text{V}\sim 3.3\text{V}$, $V_{CC} = 7\text{V}\sim 15\text{V}$ Display OFF, No panel attached	-	-	10	μA
I_{CC}	V_{CC} Supply Current $V_{DD} = 2.8\text{V}$, $V_{CC} = 12$, Internal I_{REF} , No loading, Display ON, All ON	Contrast = FFh	-	450	500	μA
			V_{DD} Supply Current $V_{DD} = 2.8\text{V}$, $V_{CC} = 12$, Internal I_{REF} , No loading, Display ON, All ON,	-	77	
I_{SEG}	Segment Output Current, $V_{DD} = 2.8\text{V}$, $V_{CC} = 12\text{V}$, $I_{REF} = 10\mu\text{A}$ Display ON.	Contrast=FFh	144	160	176	μA
		Contrast=AFh	-	110	-	
		Contrast=7Fh	-	80	-	
		Contrast=3Fh	-	40	-	
		Contrast=0Fh	-	10	-	
Dev	Segment output current uniformity	$Dev = (I_{SEG} - I_{MID})/I_{MID}$ $I_{MID} = (I_{MAX} + I_{MIN})/2$ $I_{SEG}[0:127] = \text{Segment current at contrast setting} = \text{FFh}$	-3	-	3	%
Adj. Dev	Adjacent pin output current uniformity (contrast setting = FFh)	$Adj\ Dev = (I[n] - I[n+1]) / (I[n] + I[n+1])$	-2	-	2	%

12 AC CHARACTERISTICS

Conditions:

Voltage referenced to V_{SS}

$V_{DD}=1.65$ to $3.3V$

$T_A = 25^{\circ}C$

Table 12-1 : AC Characteristics

Symbol	Parameter	Test Condition	Min	Typ	Max	Unit
$F_{OSC}^{(1)}$	Oscillation Frequency of Display Timing Generator	$V_{DD} = 2.8V$	382	425	468	kHz
FFRM	Frame Frequency for 39 MUX Mode	128x39 Graphic Display Mode, Display ON, Internal Oscillator Enabled	-	$F_{OSC} \times \frac{1}{(D \times K \times 39)}$ (2)	-	Hz
RES#	Reset low pulse width		3	-	-	us

Note

(1) F_{OSC} stands for the frequency value of the internal oscillator and the value is measured when command D5h A[7:4] is in default value.

(2) D: divide ratio (default value = 2)

K: number of display clocks per row period (default value = 54)

Table 12-2 : 6800-Series MCU Parallel Interface Timing Characteristics

($V_{DD} - V_{SS} = 1.65V$ to $3.3V$, $T_A = 25^{\circ}C$)

Symbol	Parameter	Min	Typ	Max	Unit
t_{cycle}	Clock Cycle Time	300	-	-	ns
t_{AS}	Address Setup Time	10	-	-	ns
t_{AH}	Address Hold Time	0	-	-	ns
t_{DSW}	Write Data Setup Time	40	-	-	ns
t_{DHW}	Write Data Hold Time	7	-	-	ns
t_{DHR}	Read Data Hold Time	20	-	-	ns
t_{OH}	Output Disable Time	-	-	70	ns
t_{ACC}	Access Time	-	-	140	ns
PW_{CSL}	Chip Select Low Pulse Width (read) Chip Select Low Pulse Width (write)	120 60	-	-	ns
PW_{CSH}	Chip Select High Pulse Width (read) Chip Select High Pulse Width (write)	60 60	-	-	ns
t_R	Rise Time	-	-	40	ns
t_F	Fall Time	-	-	40	ns

Figure 12-1 : 6800-series MCU parallel interface characteristics

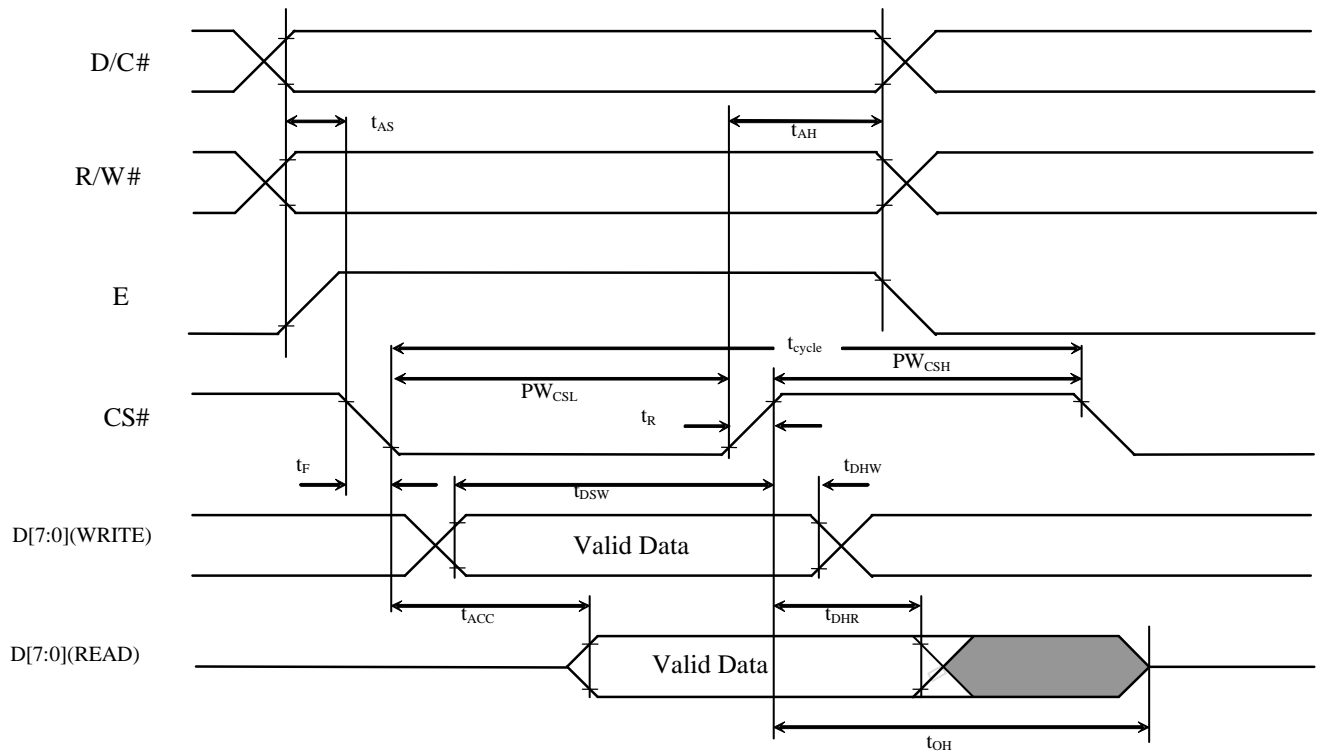


Table 12-3 : 8080-Series MCU Parallel Interface Timing Characteristics

($V_{DD} - V_{SS} = 1.65V \sim 3.3V$, $T_A = 25^\circ C$)

Symbol	Parameter	Min	Typ	Max	Unit
t_{cycle}	Clock Cycle Time	300	-	-	ns
t_{AS}	Address Setup Time	10	-	-	ns
t_{AH}	Address Hold Time	0	-	-	ns
t_{DSW}	Write Data Setup Time	40	-	-	ns
t_{DHW}	Write Data Hold Time	7	-	-	ns
t_{DHR}	Read Data Hold Time	20	-	-	ns
t_{OH}	Output Disable Time	-	-	70	ns
t_{ACC}	Access Time	-	-	140	ns
t_{PWLR}	Read Low Time	120	-	-	ns
t_{PWLW}	Write Low Time	60	-	-	ns
t_{PWHR}	Read High Time	60	-	-	ns
t_{PWHW}	Write High Time	60	-	-	ns
t_R	Rise Time	-	-	40	ns
t_F	Fall Time	-	-	40	ns
t_{CS}	Chip select setup time	0	-	-	ns
t_{CSH}	Chip select hold time to read signal	0	-	-	ns
t_{CSF}	Chip select hold time	20	-	-	ns

Figure 12-2 : 8080-series parallel interface characteristics

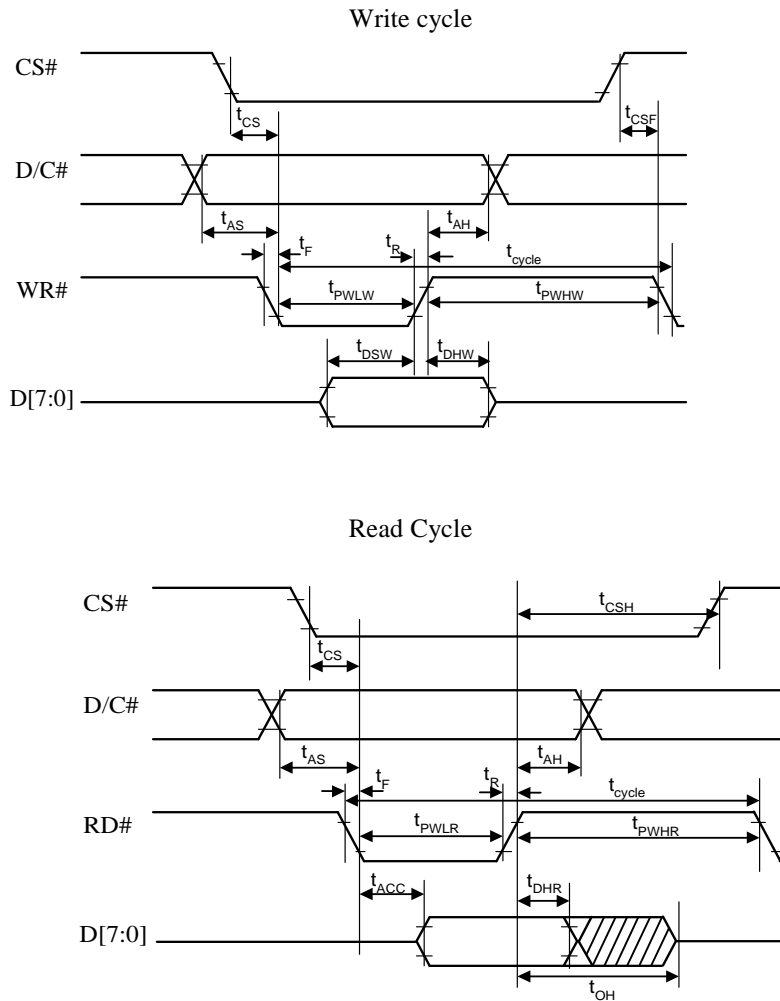


Table 12-4 : Serial Interface Timing Characteristics (4-wire SPI)

($V_{DD} - V_{SS} = 1.65V \sim 3.3V$, $T_A = 25^\circ C$)

Symbol	Parameter	Min	Typ	Max	Unit
t_{cycle}	Clock Cycle Time	100	-	-	ns
t_{AS}	Address Setup Time	15	-	-	ns
t_{AH}	Address Hold Time	15	-	-	ns
t_{CSS}	Chip Select Setup Time	20	-	-	ns
t_{CSH}	Chip Select Hold Time	60	-	-	ns
t_{DSW}	Write Data Setup Time	15	-	-	ns
t_{DHW}	Write Data Hold Time	15	-	-	ns
t_{CLKL}	Clock Low Time	40	-	-	ns
t_{CLKH}	Clock High Time	60	-	-	ns
t_R	Rise Time	-	-	40	ns
t_F	Fall Time	-	-	40	ns

Figure 12-3 : Serial interface characteristics (4-wire SPI)

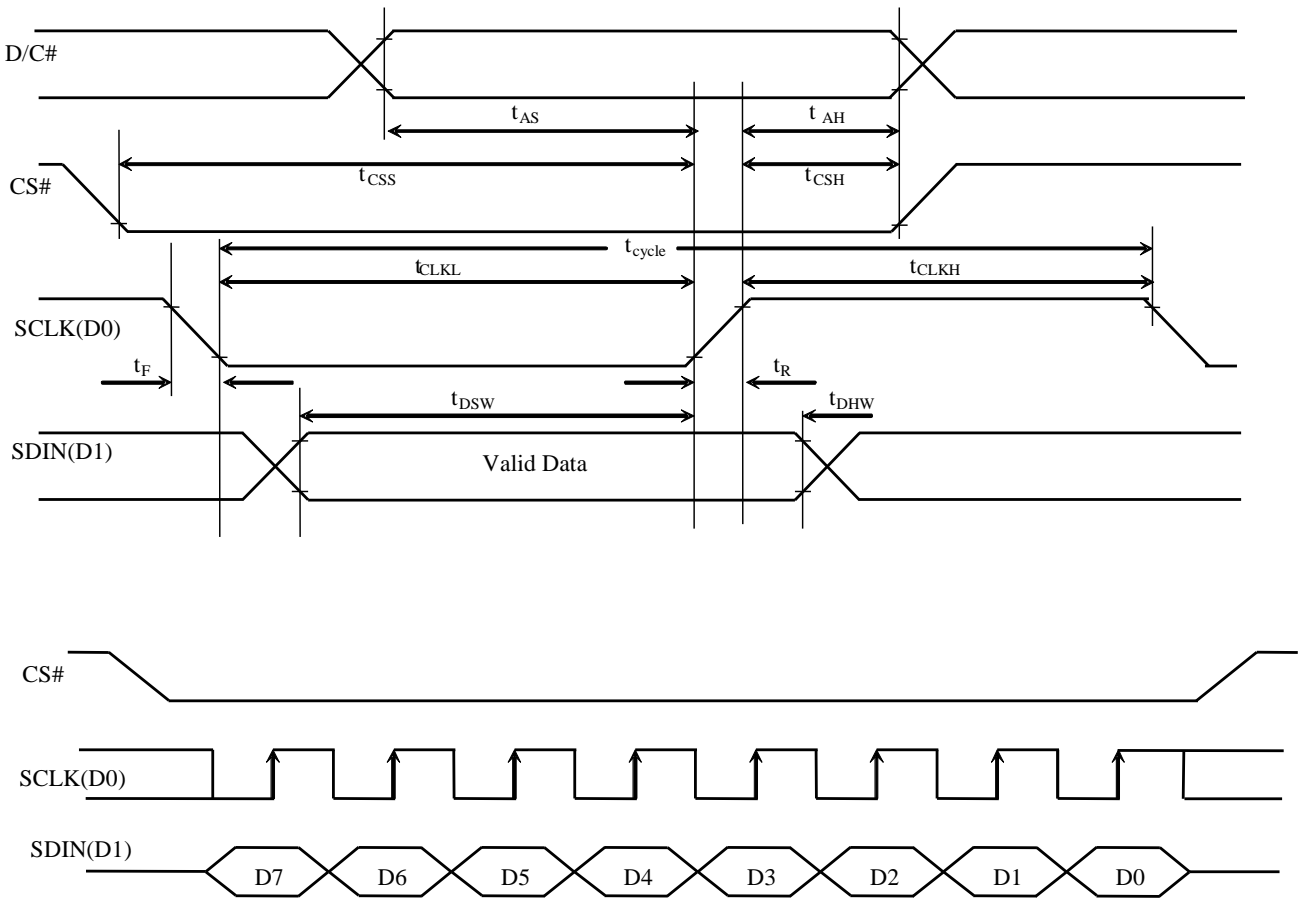
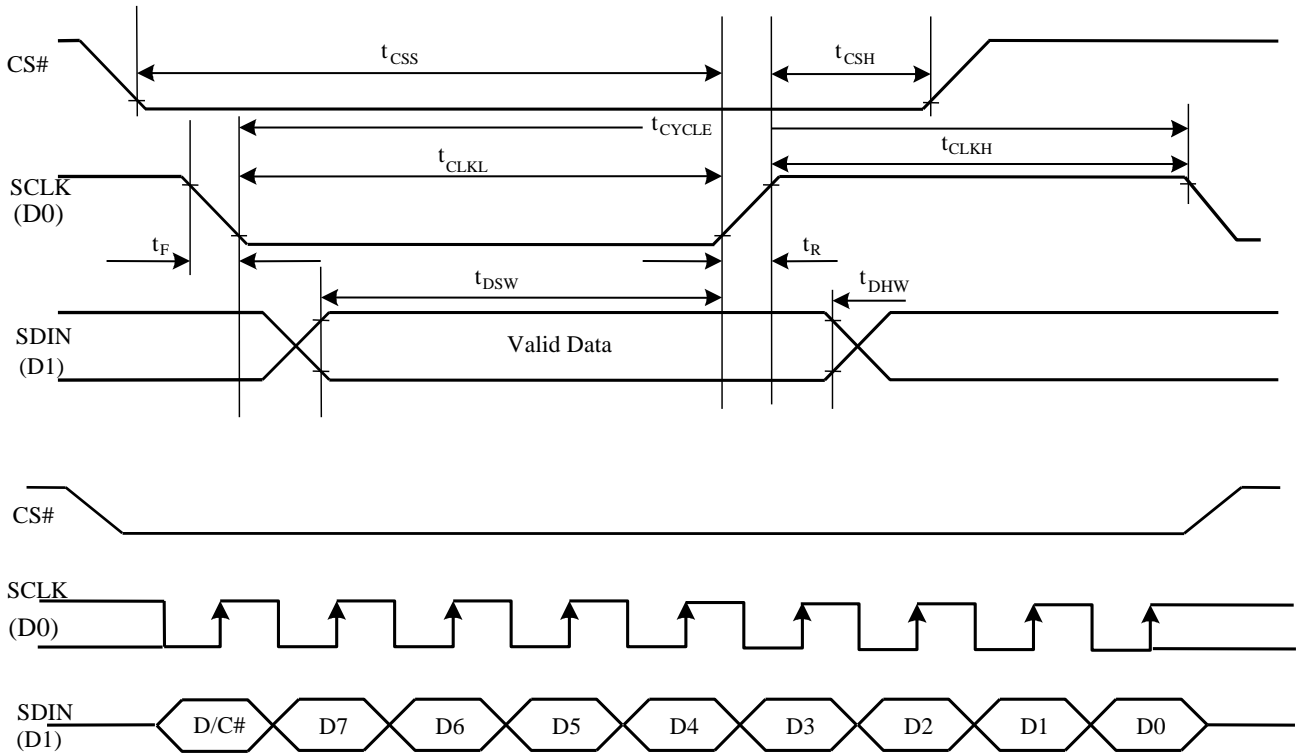


Table 12-5 : Serial Interface Timing Characteristics (3-wire SPI)

($V_{DD} - V_{SS} = 1.65V \sim 3.3V$, $T_A = 25^\circ C$)

Symbol	Parameter	Min	Typ	Max	Unit
t_{cycle}	Clock Cycle Time	100	-	-	ns
t_{CSS}	Chip Select Setup Time	20	-	-	ns
t_{CSH}	Chip Select Hold Time	10	-	-	ns
t_{DSW}	Write Data Setup Time	15	-	-	ns
t_{DHW}	Write Data Hold Time	15	-	-	ns
t_{CLKL}	Clock Low Time	40	-	-	ns
t_{CLKH}	Clock High Time	40	-	-	ns
t_R	Rise Time	-	-	40	ns
t_F	Fall Time	-	-	40	ns

Figure 12-4 : Serial interface characteristics (3-wire SPI)



Conditions:

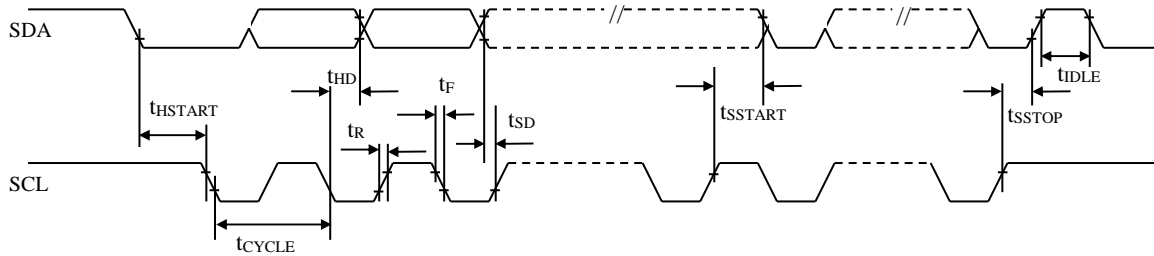
$$V_{DD} - V_{SS} = 1.65V \sim 3.3V$$

$$T_A = 25^\circ C$$

Table 12-6 : I²C Interface Timing Characteristics

Symbol	Parameter	Min	Typ	Max	Unit
t _{cycle}	Clock Cycle Time	2.5	-	-	us
t _{HSTART}	Start condition Hold Time	0.6	-	-	us
t _{HD}	Data Hold Time (for "SDA _{OUT} " pin)	0	-	-	ns
	Data Hold Time (for "SDA _{IN} " pin)	300	-	-	ns
t _{SD}	Data Setup Time	100	-	-	ns
t _{SSSTART}	Start condition Setup Time (Only relevant for a repeated Start condition)	0.6	-	-	us
t _{SSSTOP}	Stop condition Setup Time	0.6	-	-	us
t _R	Rise Time for data and clock pin	-	-	300	ns
t _F	Fall Time for data and clock pin	-	-	300	ns
t _{IDLE}	Idle Time before a new transmission can start	1.3	-	-	us

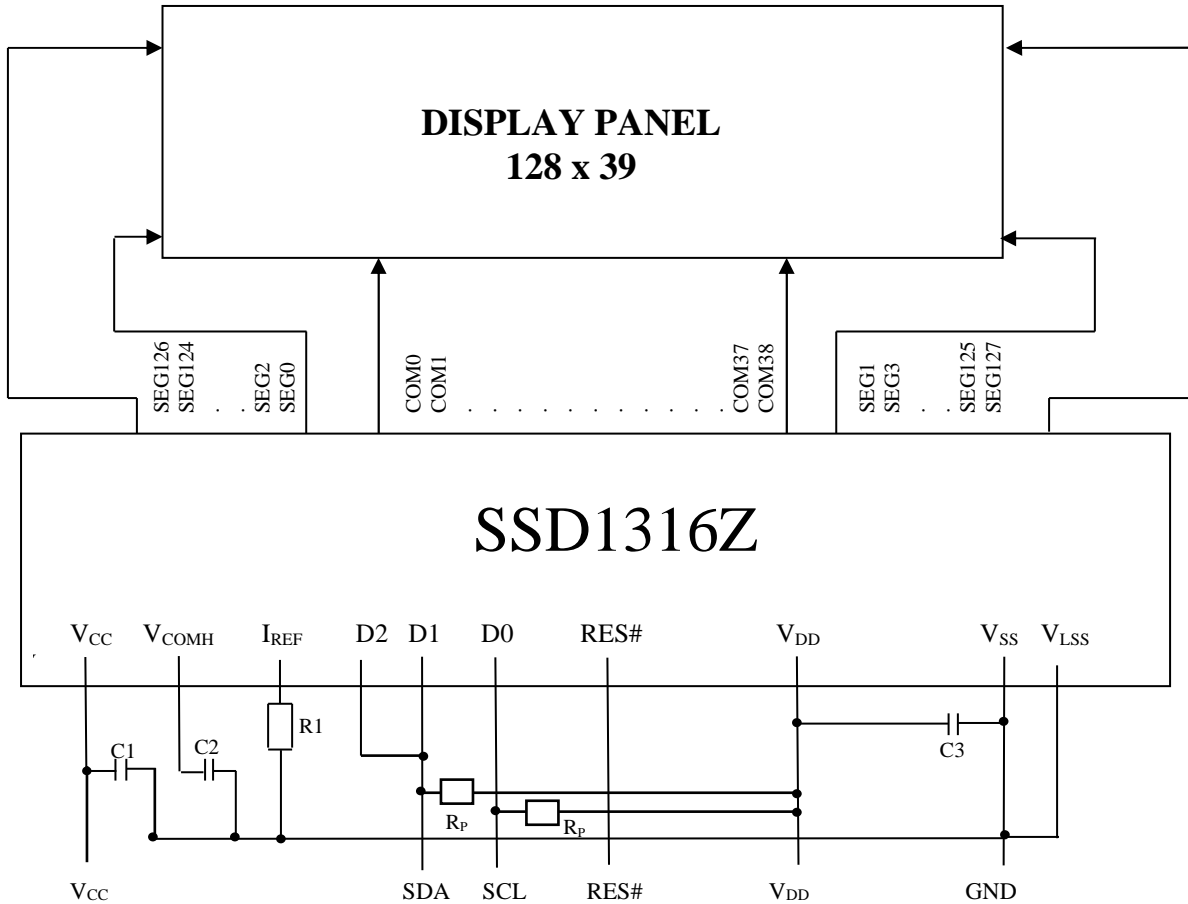
Figure 12-5 : I²C interface Timing characteristics



13 APPLICATION EXAMPLES

Figure 13-1 : Application Example of SSD1316Z with External V_{CC} and I²C Interface

The configuration for I²C interface mode is shown in the following diagram:
 (V_{DD}=2.8V, V_{CC}=12V, I_{REF}=10uA)



Pin connected to MCU interface: D[2:0], RES#
 Pin internally connected to V_{SS}: D[7:3], BS0, BS2, E, R/W#, CS#, CL, BGGND
 Pin internally connected to V_{DD}: BS1, CLS
 VBREF, FR should be left open.
 D/C# acts as SA0 for slave address selection ⁽³⁾

C1, C2: 2.2uF ⁽¹⁾
 C3: 1.0uF ⁽¹⁾ place close to IC VDD and VSS pins on PCB
 R_p : Pull up resistor

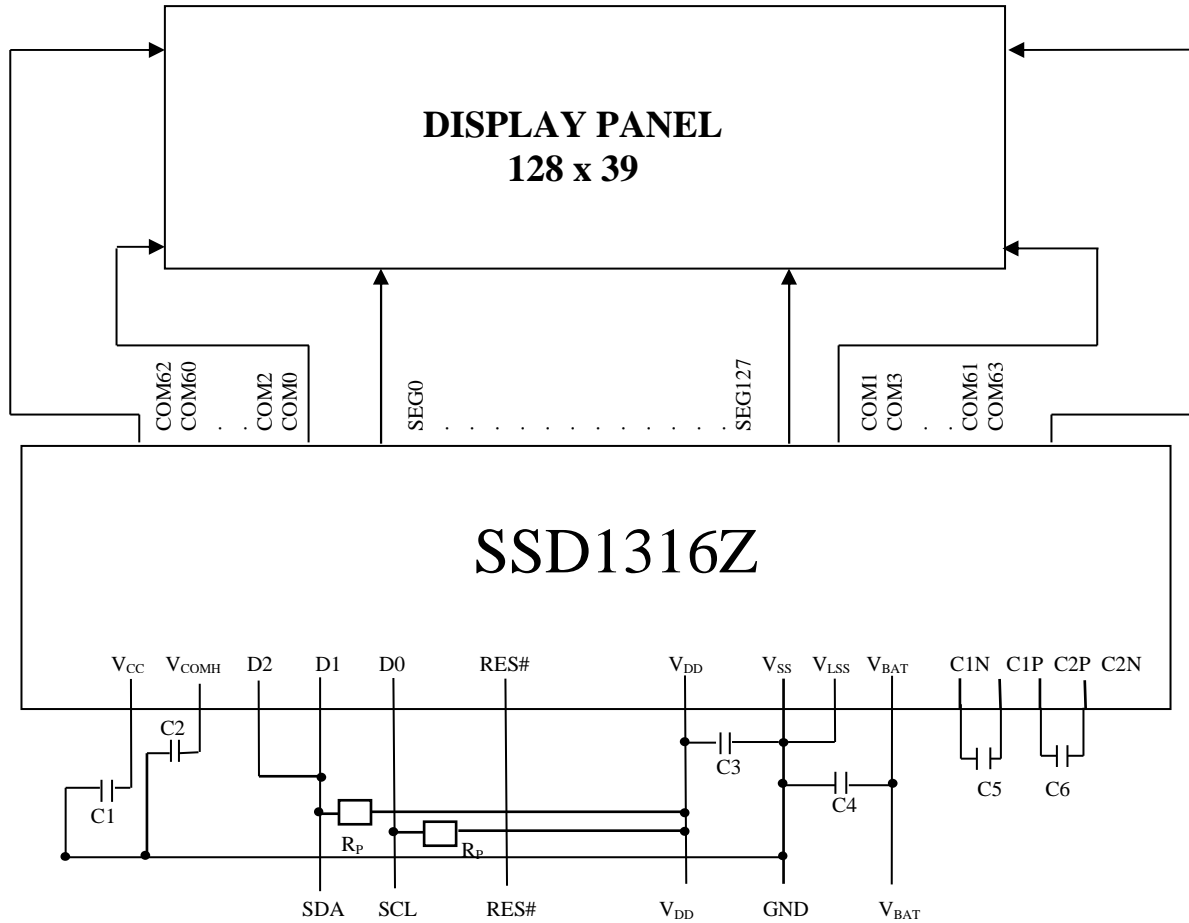
Voltage at I_{REF} = V_{CC} - 5V. For V_{CC} = 12V, I_{REF} = 10uA:
 $R1 = (Voltage\ at\ I_{REF} - V_{SS}) / I_{REF}$
 $\approx (12-5)V / 10uA$
 $= 700K\Omega$

Note

- ⁽¹⁾ The capacitor value is recommended value. Select appropriate value against module application.
- ⁽²⁾ Die gold bump face down.
- ⁽³⁾ Refer to Section 7.1.5 for details.

Figure 13-2 : Application Example of SSD1316Z with Internal Charge Pump, Internal I_{REF} and I²C interface

The configuration for I²C interface mode is shown in the following diagram:
 (V_{DD}=2.8V, V_{BAT}=3.8V, Internal I_{REF})



Pin connected to MCU interface: RES#, D[2:0]

Pin internally connected to V_{SS}: BS0, BS2, CL, D[7:3], E, R/W#, CS#, D/C#, BGGND

Pin internally connected to V_{DD}: BS1, CLS

I_{REF}, V_{BREF}, FR should be left open.

C1, C2: 2.2uF ⁽¹⁾

C3, C4 : 1.0uF ⁽¹⁾

C5, C6: 1.0uF/10V ⁽¹⁾

R_p : Pull up resistor

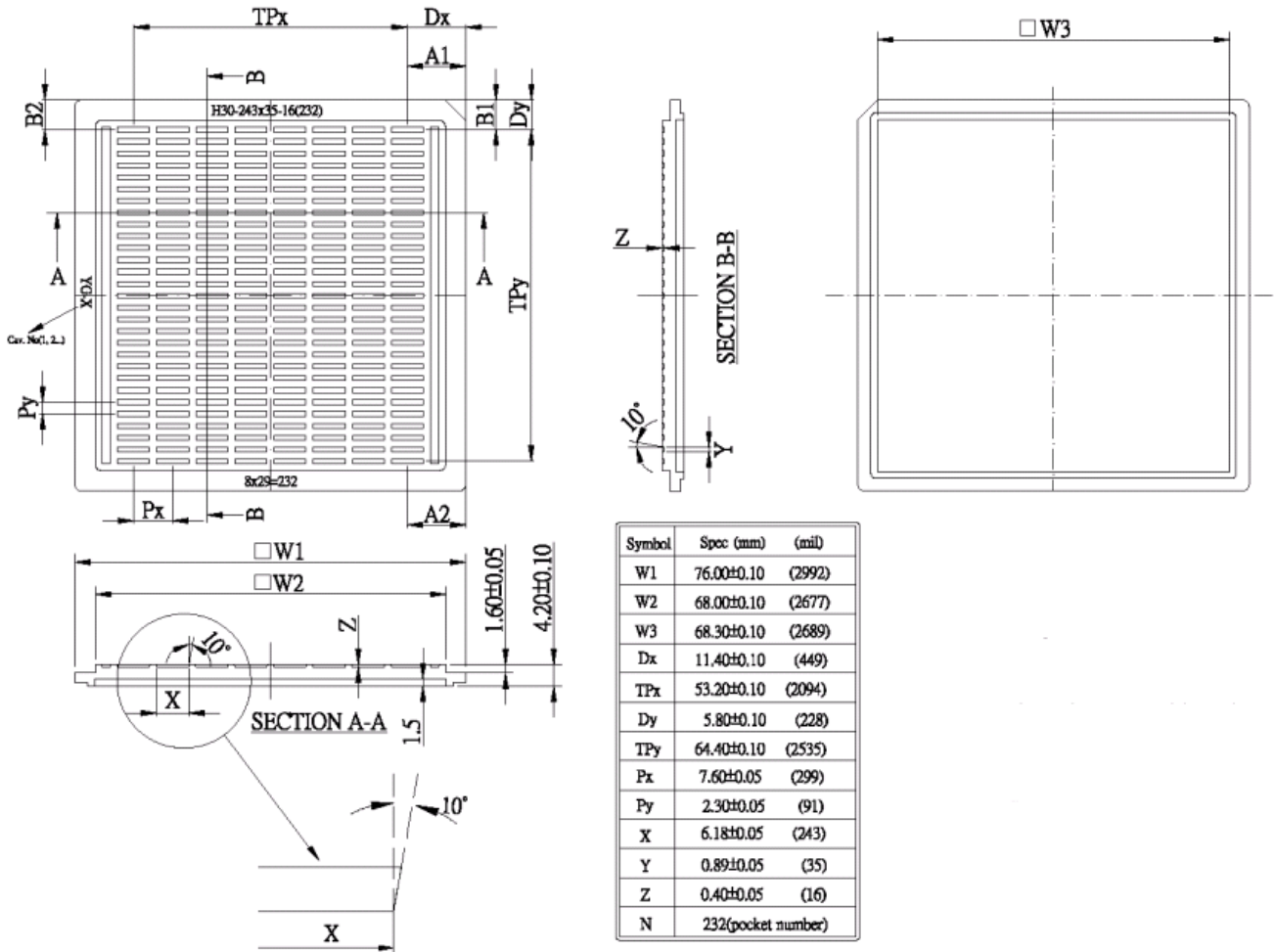
Note

⁽¹⁾ The capacitor value is recommended value. Select appropriate value against module application.

14 PACKAGE INFORMATION

14.1 DIE TRAY DIMENSIONS

Figure 14-1 : SSD1316Z die tray information



Solomon Systech reserves the right to make changes without notice to any products herein. Solomon Systech makes no warranty, representation or guarantee regarding the suitability of its products for any particular purpose, nor does Solomon Systech assume any liability arising out of the application or use of any product or circuit, and specifically disclaims any, and all, liability, including without limitation consequential or incidental damages. "Typical" parameters can and do vary in different applications. All operating parameters, including "Typical" must be validated for each customer application by the customer's technical experts. Solomon Systech does not convey any license under its patent rights nor the rights of others. Solomon Systech products are not designed, intended, or authorized for use as components in systems intended for surgical implant into the body, or other applications intended to support or sustain life, or for any other application in which the failure of the Solomon Systech product could create a situation where personal injury or death may occur. Should Buyer purchase or use Solomon Systech products for any such unintended or unauthorized application, Buyer shall indemnify and hold Solomon Systech and its offices, employees, subsidiaries, affiliates, and distributors harmless against all claims, costs, damages, and expenses, and reasonable attorney fees arising out of, directly or indirectly, any claim of personal injury or death associated with such unintended or unauthorized use, even if such claim alleges that Solomon Systech was negligent regarding the design or manufacture of the part.



The product(s) listed in this datasheet comply with Directive 2002/95/EC of the European Parliament and of the council of 27 January 2004 on the restriction of the use of certain hazardous substances in electrical and electronic equipment and People's Republic of China Electronic Industry Standard SJ/T 11363-2006 "Requirements for concentration limits for certain hazardous substances in electronic information products (电子信息产品中有毒有害物质的限量要求)". Hazardous Substances test report is available upon request.

<http://www.solomon-systech.com>