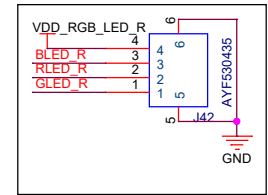
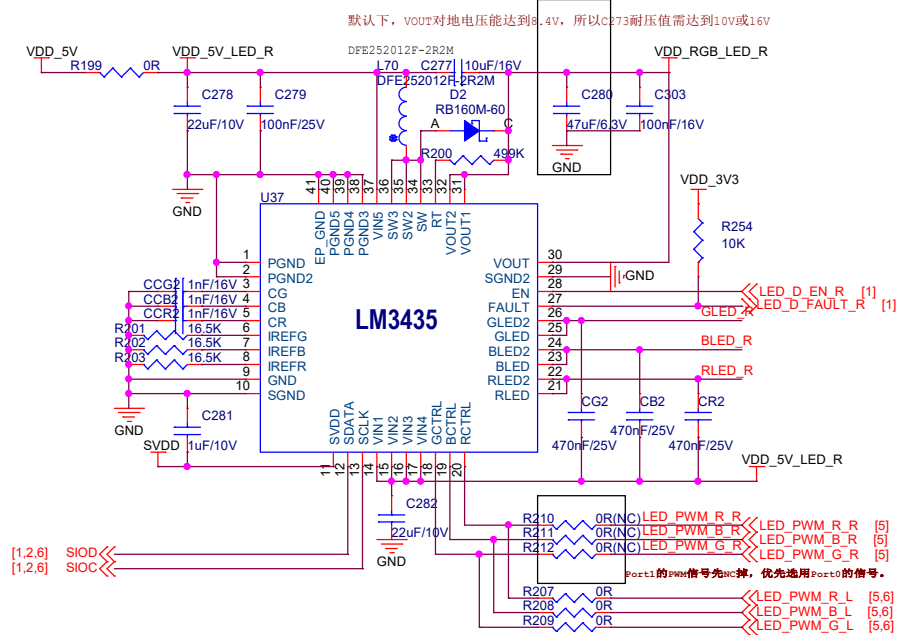
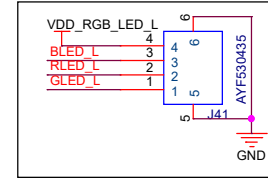
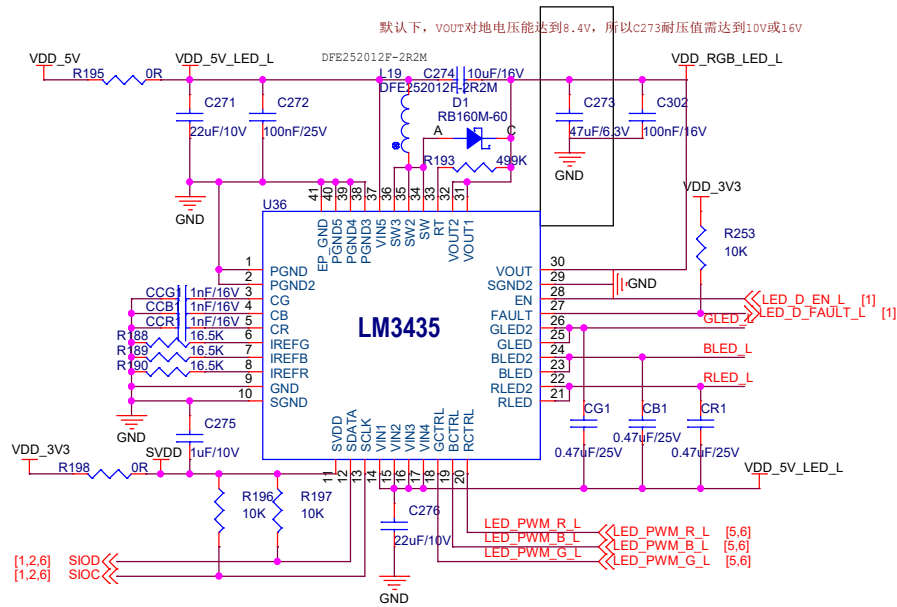


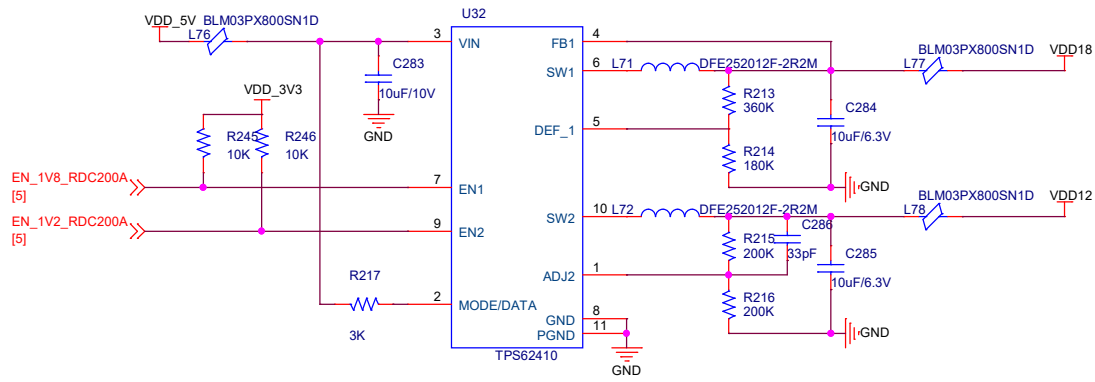
# RDC200A

connecting to GND if don't use

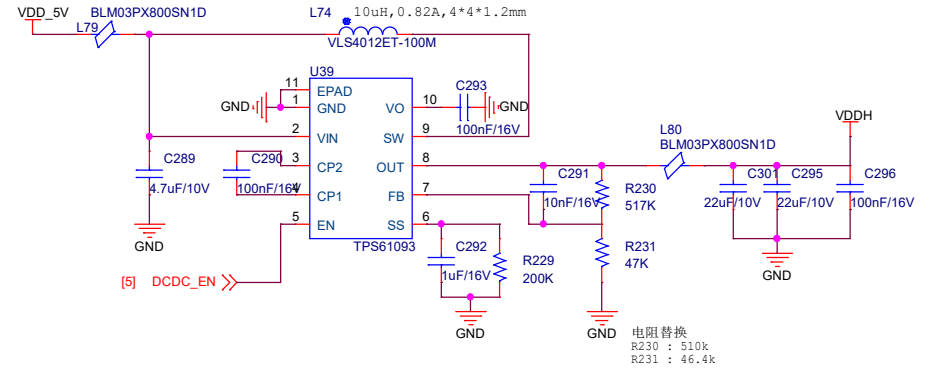
Title			<Title>
Size	Document Number	Rev	
B	<Doc>	<RevCode>	
Date:	Friday, July 02, 2021	Sheet	5 of 8



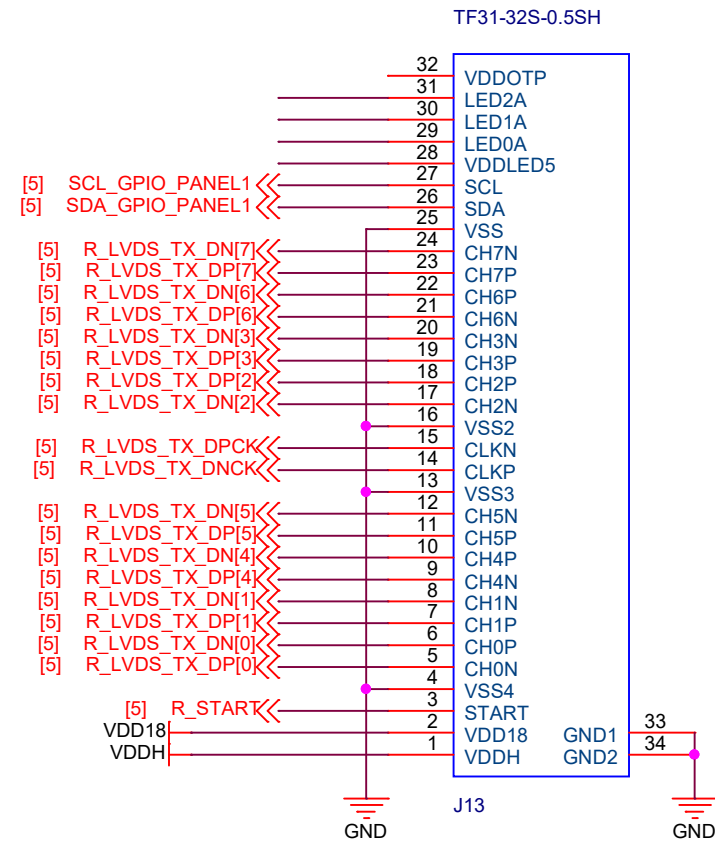
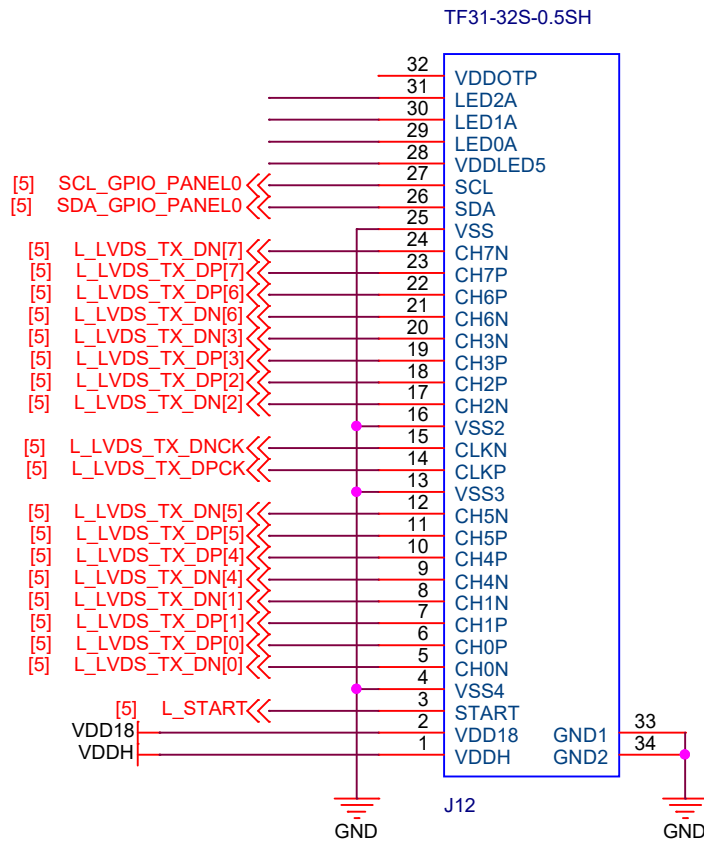
Title		<Title>
Size	Document Number	Rev
B	<Doc>	<RevCode>
Date:	Monday, August 23, 2021	Sheet 6 of 8



VDDH=6V



Title		
<Title>		
Size	Document Number	Rev
B	<Doc>	<RevCode>
Date:	Thursday, March 31, 2022	Sheet 7 of 8



Title		
<Title>		
Size	Document Number	Rev
A	<Doc>	<RevCode>
Date:	Friday, July 02, 2021	Sheet 8 of 8