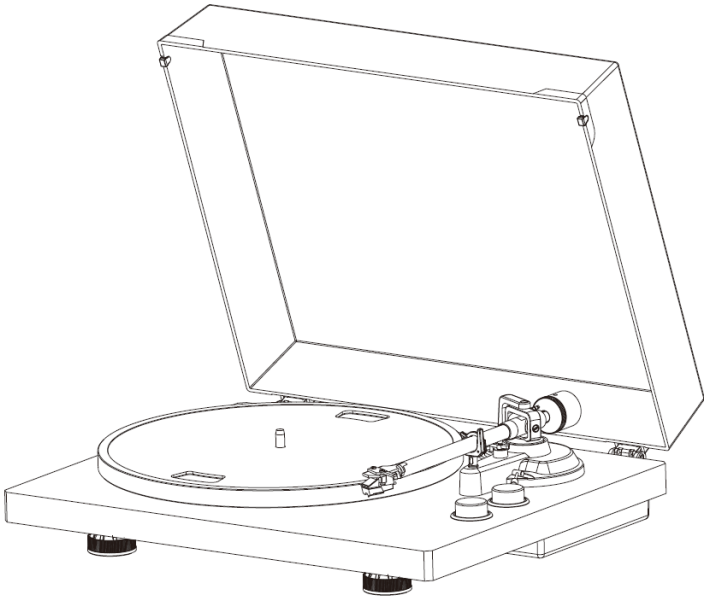
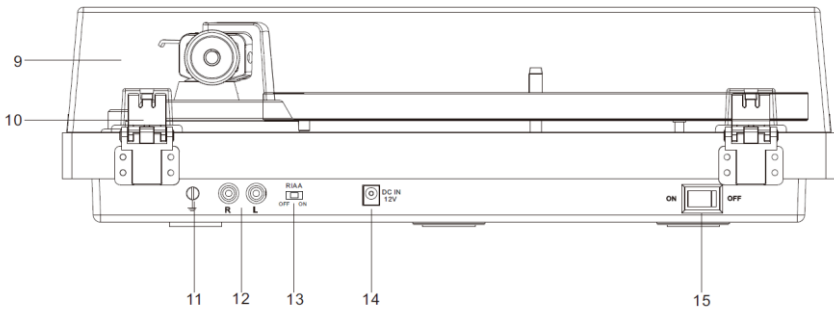
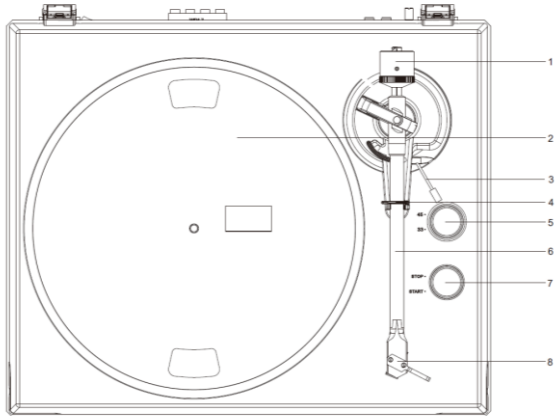


Argon TT



COMPONENTS, FEATURES AND CONNECTIONS

1. Counterweight
2. Turntable Platter
3. Tonearm Lift Lever
4. Tonearm Rest
5. 33/45 Selector
6. Tonearm
7. Stop/Start button
8. Cartridge



- | | |
|---|---|
| <ol style="list-style-type: none"> 9. Lid 10. Lid Hinge 11. Ground Connector 12. PHONO & Line Out Jacks | <ol style="list-style-type: none"> 13. RIAA ON/OFF Switch 14. AC-DC Power Jack 15. Power Rocker Switch |
|---|---|

Please check thoroughly and make sure you find the following items that are included in the box:

- | | |
|-----------------------------|-----------------------------------|
| 1) Unit | 6) Turntable Mat |
| 2) Adaptor with EU plug end | 7) Instruction Manual |
| 3) Counterweight | 8) Cartridge Alignment Protractor |
| 4) Platter with drive belt | 9) Drive Belt Hook |
| 5) 45 RPM Adaptor | 10) RCA to RCA cable |

This turntable is supplied with a factory fitted and adjusted cartridge.

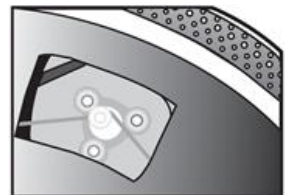
**The following instructions for adjusting the cartridge are provided in case the cartridge is replaced by a different model at a later date.

Installing the Lid

Install the **Lid** carefully over the hinge prongs.

Turntable Platter and Belt Setup

1. Install the drive belt over the inner ring under the platter and make sure it won't fall off during the setup.
2. Place the platter through the turntable spindle, then rotate the platter until you see the drive motor pulley through the window at the top left corner.
3. Carefully grab the drive belt and put it around the slot of motor pulley.
4. Connect the power adapter to the turntable and power on the turntable.
5. Set the Motor Start/Stop switch to the Start position to see if the platter motor spins. If the platter does not spin, try the steps listed above again.



Cartridge Downforce Adjustment

The **Counterweight** supplied is suitable for cartridges weighing between 3.0-6.0g.

- Gently push and turn the Counterweight onto the rear of the tonearm (with the scale facing toward the front of the turntable).
- Remove the cartridge protection cap.
- Lower the tonearm lift and position the cartridge in the space between tonearm rest and platter.
- Carefully rotate the **Counterweight** until the tonearm balances out. The tonearm should return to the balanced position if it is moved up or down. This adjustment must be done carefully.
- Once the tonearm is correctly balanced return it to its rest. Hold the **Counterweight** without moving it, and gently rotate the **Down force Scale** ring until the zero is in line with black line on the rear of the **tonearm**. Check whether the arm still balances out.
- Rotate the counterweight counter clockwise (seen from the front) to adjust the down force according to the cartridge manufacturer's recommendations. One mark on the scale represents 0.05g of down force.

NOTE: The recommended down force for the factory fitted cartridge is $3.5\pm 0.5\text{g}$.

Connection to amplifier/speakers

This turntable uses a moving magnetic cartridge and has a RIAA amplifier built in. If you are using a separate phono input or phono amplifier, set the **RIAA ON/OFF Switch** to OFF mode.

Main Power Connection

The power adaptor is in the foam packing material. Unpack the power adaptor and plug the small end into the **DC power jack** located at the back side of the turntable. Plug the power

adaptor into your power outlet.

Operation

Turntable Operation

1. Connect the included power adapter to unit and press the power rocker switch to be “ON” position.
2. Remove the needle cover from the cartridge.
3. Place the slipmat on the platter and place a record on the slipmat. If using 45 RPM records, put the 45 RPM adapter on the center spindle before placing the record on the platter.
4. Set the 33/45 RPM Selector according to the type of record.
5. Turn the Start/Stop dial to the Start position to begin spinning the platter.
6. Unlock the arm clip and set the Lift Lever to the up position.
7. Position the tonearm over the desired location (groove) on the record.
8. Move the tonearm lift lever to the down position to move the tonearm toward the record. Alternatively, place the needle over the desired location on the record.
9. Carefully lower the tonearm on the record.
10. When you are finished playing the record, raise the tonearm, return it to rest on the arm clip, and turn the Start/Stop dial to the Stop.

Maintenance and Cleaning

Your turntable requires little to no regular maintenance. Remove dust with a slightly damp antistatic cloth. Never use a dry cloth, this will create static electricity and attract more dust. It is recommended to install the needle cover before cleaning or maintenance is carried out to avoid damage. If the turntable is not used over a long period of time, the drive belt should be removed to prevent unequal stretching.

NOTE: Always disconnect the record player from the power supply as a precaution before maintenance!

Useful Tips

The turntable should be positioned on a low-resonance surface such as wood or multiple layer ply board to avoid structural vibrations disturbing playback.

Cartridge Replacement

1. Before replacement, put the stylus protector back on the stylus to prevent damage to the stylus during the replacement process.
2. Carefully remove the wire leads from the original cartridge.
3. Loosen the two screws on the headshell that are securing the cartridge and then remove the original cartridge.
4. Mount the new cartridge to the headshell and tighten it lightly. Do not completely tighten the screws at this moment.
5. Connect the wire leads to the new cartridge's terminals .The wire lead color codes are as below:

White Left channel positive (L+)

Black Left channel negative (L-)

Red Right channel positive (R+)

Black Right channel negative (R-)

6. Adjust the cartridge's position to make sure it is precisely aligned on the headshell so that the stylus will be tracking the grooves in parallel perfectly.

To achieve this, place the included paper cartridge alignment protractor over the turntable spindle, carefully lift the tone arm and place the tip of the stylus on the points marked 130mm and 250mm respectively. Fine tune the cartridge's position on the headshell until the cartridge is perfectly in parallel with the reference lines at both points.

7. Tighten the screws completely once the perfect alignment is achieved.

NOTE: If you are unfamiliar or uncomfortable with completing this procedure, we recommend consulting with a professional/your point of purchase to perform the installation.

Technical Specifications:

Nominal Speeds	33 1/3 & 45RPM
Speed Variance	±1.5%
Wow and Flutter	≤0.15%
Signal to Noise	55dB
Down force Range	3.0-6.0g
Effective Tonearm Length	8.6" (218.5mm)
Overhang	0.73in
Power Consumption	5W
Outboard Power Supply	12V/ 500mA AC-DC
Dimensions (W x H x D)	415 x 340 x 148mm
Weight	6.2kgs

Technical Specifications for stylus: AT-3600L (audio-technica)

Frequency response	20Hz-20kHz
Recommended load resistance	47kohms
Channel balance	<2.5dB
Amplifier connection	MM - input
Channel separation	>18dB
Recommended tracking force	3.5±0.5g
Output voltage	2.5mV
Weight	5g

Troubleshooting

The platter doesn't turn although the unit is switched on:

- Drive belt is not installed or has slipped off.
- The unit is not connected to the main power supply.
- No power at the outlet.

No signal through one or other channel or both channels:

- Wrong input selected at amplifier.
- Amplifier is not switched on.
- Amplifier or speakers muted.
- No connection to the speakers.
- No connection between turntable and amplifier.
- Wire leads not connected the cartridge.

Strong hum on phono input:

- No ground connection from cartridge, arm, or arm cable to amplifier or ground loop.
- Turntable too close to speakers or other electrical noise

Distorted of inconsistent sound from one or both channels:

- Turntable is connected to wrong input of amplifier.
- Needle or cantilever damaged.
- Drive belt overstretched or dirty.
- Platter bearing without oil, dirty or damaged.
- Dust on stylus.
- MM / MC switch on pre-amplifier set incorrectly.