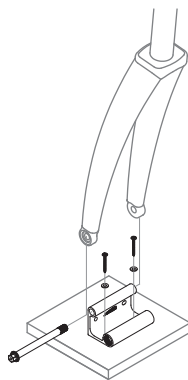
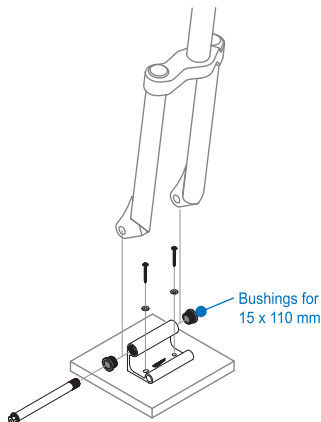


**Compatibility:**

12 x 100 mm, 15 x 100 mm,  
15 x 110 mm (bushings supplied).  
[Max. Load 15 kg / 33 lb].



For 12 x 100 mm



For 15 x 100/110 mm

**INSTALL MOUNT**

The mount has two attachment barrels; choose the one appropriate to your fork/thru-axle size: 1. Narrow barrel for 12 x 100 mm; 2. Wide barrel for 15 x 100 mm or 15 x 110 mm. Mount should face bike with appropriate barrel facing up. Install with appropriate tools and hardware (self-tapping wood screws, washers x 2 supplied; different hardware may be necessary depending on what you are attaching mount to). Ensure bike will not obscure rear vision view or otherwise hinder safe driving.

**USE MOUNT**

For 15 x 110 mm thru-axes only: install bushings in barrel ends before use. Remove front wheel axle and wheel. Align fork dropouts with barrel. Reinsert axle. Tighten firmly.



**Warning**

Mount is designed to support bike only and not rider or luggage. Always secure bike properly, particularly if using in a vehicle.

**Limited Warranty**

Ibera warrants this product for normal usage against workmanship, and material defects to the original purchaser for one year from purchase date. Products purchased online are not covered by this warranty unless purchased from an authorised Ibera online store. 1. User assumes all risk of personal injury, damage to or failure of the product when it is used in jumping, acrobatics or similar activities. 2. Warranty does not cover any incidental or consequential damages, such as personal injury or other losses due to accident, neglect, misuse, abuse, modification, normal wear and tear, improper care and cleaning, or failure to follow included instructions.

See other Ibera products at [www.ibera.info](http://www.ibera.info)

**Ibera Co. Ltd.**

Specifications subject to change without notice. Ibera is a trademark of Ibera Co. Ltd. All other trademarks are property of their respective owners. Copyright Ibera Co. Made in Taiwan. Ltd. Artwork: 07/22.