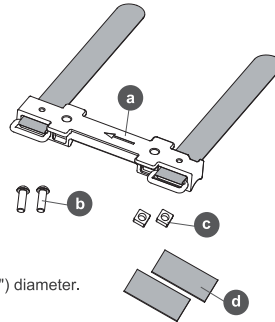




e-bike



Tools Required:
3 mm Allen key

Parts

- a | Bracket with attachment straps
- b | Allen bolts x 2
- c | Nuts x 2
- d | Adhesive paddings x 2

Tubing Compatibility
2 cm (0.78") – 6.6 cm (2.6") diameter.

Cage not included

INSTRUCTIONS

fig. 1.1

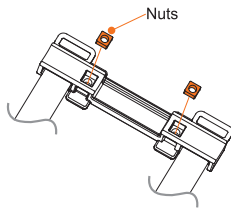
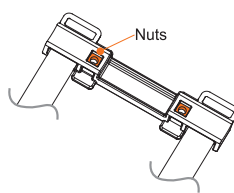
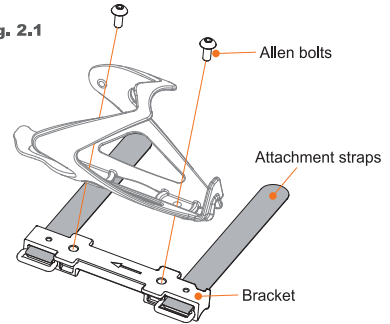


fig. 1.2



1. Insert and push nuts all the way into square holes (use Allen key to push if necessary) (fig. 1.1, fig. 1.2).

fig. 2.1



2. Attach bottle cage to bracket using supplied bolts. Use Allen key to mount cage. Tighten bolts firmly, but do not overtighten (fig. 2.1, fig. 2.2).

fig. 2.2

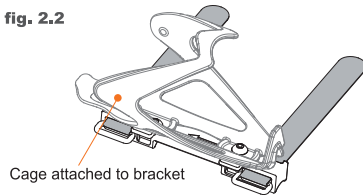


fig. 4

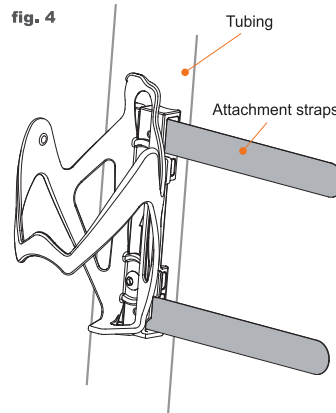


fig. 5

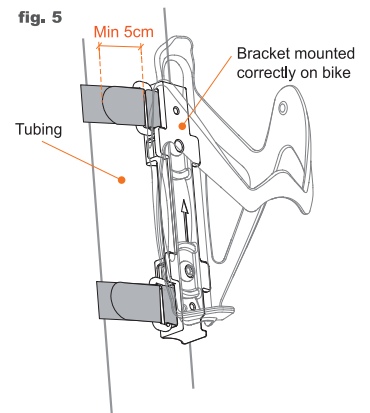
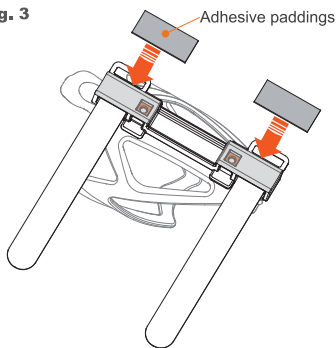


fig. 3



3. Stick adhesive padding firmly on rounded sections of bracket (fig. 3).

4. Attach bracket to tubing by seating the bracket rounded side down on the tube (direction of arrow shown on bracket is unimportant). Wrap straps around tube, threading tongue through buckle (avoid wrapping over brake or gear cables). Join both ends of Velcro to fasten. Adjust as necessary. Tighten well, preferably with a 5 cm length of Velcro fastened. If straps are too long, trim with scissors (fig. 4, fig. 5).

Limited Warranty

Ibera warrants this product for normal usage against workmanship, and material defects to the original purchaser for two year from purchase date. Products purchased online are not covered by this warranty unless purchased from an authorised Ibera online store. 1. User assumes all risk of personal injury, damage to or failure of the product when it is used in jumping, acrobatics or similar activities. 2. Warranty does not cover any incidental or consequential damages, such as personal injury or other losses due to accident, neglect, misuse, abuse, modification, normal wear and tear, improper care and cleaning, or failure to follow included instructions.

Warning

Always ensure bolts and straps are tight before using.

See other Ibera products at www.ibera.info

Ibera Co. Ltd.

Specifications subject to change without notice. Ibera is a trademark of Ibera Co. Ltd. All other trademarks are property of their respective owners. Copyright Ibera Co. Ltd. Made in Taiwan. Artwork: 11/20