

**Tools Required:** 3 mm Allen key, Ruler or tape measure.

**Parts**

- a Allen bolts x 4
- b Washers x 4
- c Front beam
- d Rear beam
- e Clamp bases x 4
- f Clamp hooks (with nuts) x 4

**Carrier Compatibility**

Most seatpost-mounted and frame-mounted carriers. Width adjustable: 90–140 mm (measured from centreline of carrier rails). Carrier Rail Diameter Range: 9–12.7 mm.

**Bag Compatibility**

PakRak Commuter Bags (carrier needs min. of 265 mm of level rail length).  
Mini Commuter Bags.

## INSTALLATION

1. Install front beam: Attach washers to bolts. With narrow end of front beam facing front of carrier, place a bolt through left slot. Attach a clamp base underneath beam (flat side up, bevelled end facing out). Seat beam at front of carrier with clamp base on left carrier rail, then attach a clamp hook underneath, facing out.\* Screw in bolt loosely to attach clamp. Repeat these steps for right side of beam. Repeat above process for rear beam, this time with narrow end facing rear (see fig. 1, fig. 2).
2. Position beams to fit your bag by measuring distance between front and rear beams: 205 mm for Commuter Bags; 120 mm for Mini Commuter Bags. Both beams should be aligned and centred (left to right) on carrier (see fig. 3). Tighten all bolts securely.

fig. 1

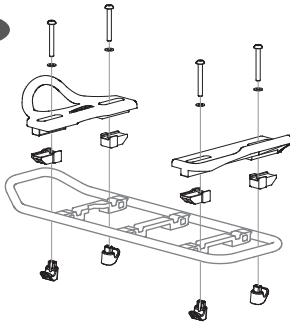


fig. 2

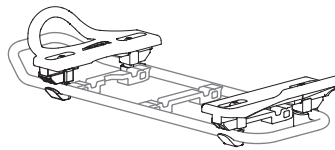


fig. 3



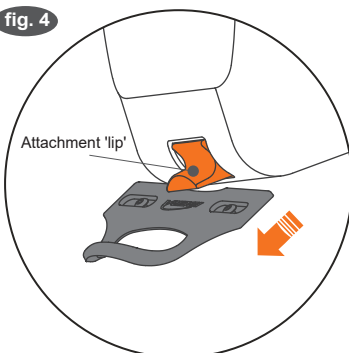
\*If necessary, clamp bases and clamp hooks can be reversed, to face inwards.

## MOUNTING BAG

Pakrak bags use a clip-on mechanism with a release button.

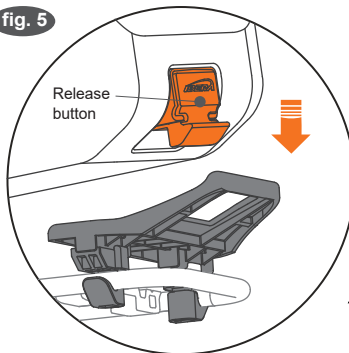
1. Align attachment 'lip' on front of bag with rounded arch on front beam (see fig. 4).
2. Lock bag onto carrier by pushing down on rear of bag, while pressing in button.
3. To detach bag, press release button, and lift from carrier (see fig. 5).
4. If bag does not fit firmly when mounted and release easily when detached, adjust position of beams.

fig. 4



Front

fig. 5



Rear

fig. 6



Bag mounted  
(Commuter Bag shown)

**Warning**

- Always make sure adaptors and bag are attached securely before using.
- Do not use for off-road riding with bag attached.
- Detach shoulder strap when riding.

## Limited Warranty

Ibera warrants this product for normal usage against workmanship, and material defects to the original purchaser for two year from purchase date. Products purchased online are not covered by this warranty unless purchased from an authorised Ibera online store. 1. User assumes all risk of personal injury, damage to or failure of the product when it is used in jumping, acrobatics or similar activities. 2. Warranty does not cover any incidental or consequential damages, such as personal injury or other losses due to accident, neglect, misuse, abuse, modification, normal wear and tear, improper care and cleaning, or failure to follow included instructions.

**Ibera Co. Ltd.**

Specifications subject to change without notice. Ibera is a trademark of Ibera Co. Ltd. All other trademarks are property of their respective owners. Copyright Ibera Co. Ltd. Made in Taiwan.

Artwork: 04/23