

Tools Required: 4 mm Allen key, 3 mm Allen key, 8 mm open-end wrench

Supplied Parts

- a Carrier
- b Arm clamp
- c Mounting arm
- d Mounting legs x 2
- e Hasps for bungee cord hook x 2
- f Leg clamps x 2
- g Medium Allen bolts x 2
- h Washers x 4 (for Long & Medium Allen bolts)
- i Nuts x 4 (for Long & Medium Allen bolts)
- j Long Allen bolts x 2
- k Light/reflector bracket
- l Short Allen bolts x 2
- m Square washers x 3 (for Arm clamps)

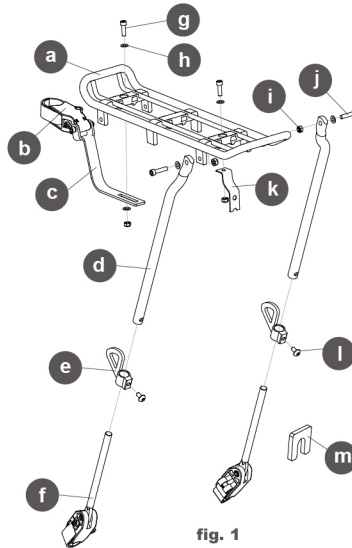


fig. 1

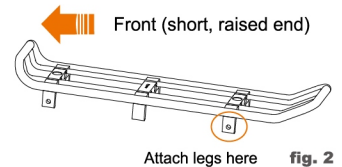


fig. 2

ASSEMBLE CARRIER

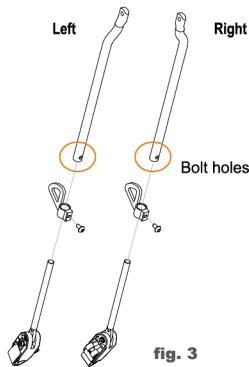


fig. 3

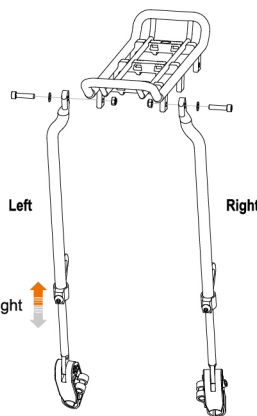


fig. 4

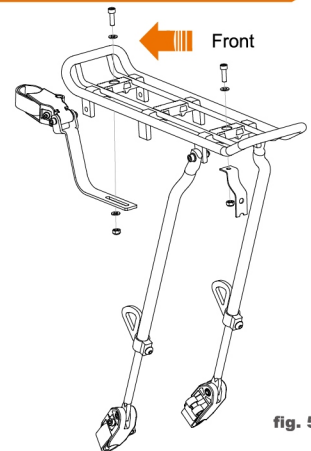


fig. 5

ASSEMBLE MOUNTING LEGS

1. Mount hasp to carrier legs. Hasp must face upward (above the bottom of leg). Slide hasp over leg with short Allen bolt aligned with screw hole on leg—do not tighten yet. Insert leg clamp in mounting leg. Using 3 mm Allen key, tighten bolt, but not too firmly as further adjustment will be necessary (see fig. 3).

ATTACH MOUNTING LEGS TO CARRIER

2. Legs are specific to left and right, though are not marked. Note angle at top of leg and bolt hole in bottom/rear (see fig. 3). Mount on outside of carrier bosses. The bolt holes at bottom of each leg must face rear of carrier. Using long Allen bolts, washers and nuts, loosely assemble legs to outside of carrier. Attach leg mounting clamps (marked 'L' (left) and 'R' (right)). Insert leg mounting clamps in legs. Tighten bolts, but not too firmly as further adjustment will be necessary. (See fig. 4).

ASSEMBLE MOUNTING ARM

3. Attach mounting arm to carrier. Using 4 mm Allen key and wrench in unison, attach arm using medium Allen bolt, washer and nut. Tighten bolts, but not too firmly as further adjustment will be necessary (see fig. 5).

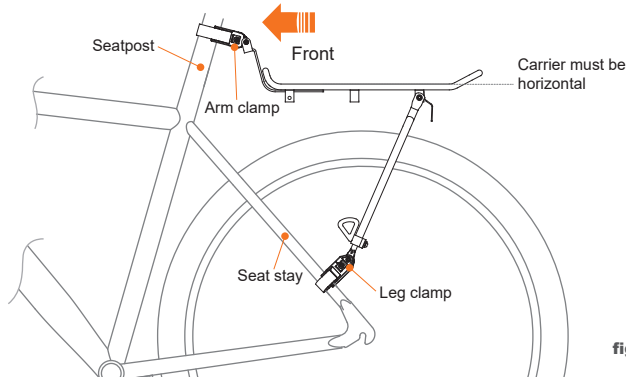
Warning

1. Max. load **7 kgs (15 lbs)**.
2. Do not carry people on carrier.
3. Ensure bags or other luggage is securely attached to carrier before using.
4. Ensure all bolts and straps are tight before each use.
5. Carrier should be horizontal, and have adequate clearance over wheel.
6. Rack should never touch or obstruct chain, freewheel or disk brake.

警告 (繁體中文) 1、本產品最大載重7公斤(15磅) 2、本產品不可以載人 3、每次使用前請確認所有的螺絲必須鎖緊 4、本產品配合包包使用時請注意包包需牢固組裝在上面 5、安裝時請務必確認貨架固定座不會干涉或阻礙鏈條、飛輪的轉動。

警告 (簡體中文) 1、本產品最大載重7公斤(15磅) 2、本產品不可以載人 3、每次使用前請確認所有的螺絲必須鎖緊 4、本產品配合包包使用時請注意包包需牢固組裝在上面 5、安裝時請務必確認貨架固定座不會干涉或阻礙鏈條、飛輪的轉動。





MOUNT CARRIER ON BIKE

ATTACH CARRIER TO SEAT STAYS

1. Attach legs to bike's seat stays (see fig. 6). Place leg clamps over a low point on seat stays—position will vary depending on bike—make sure both left and right clamps are same height.

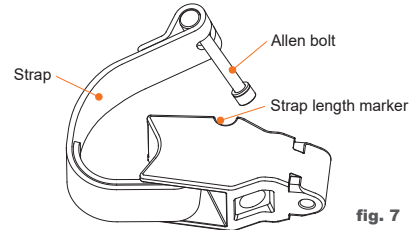


fig. 6

fig. 7

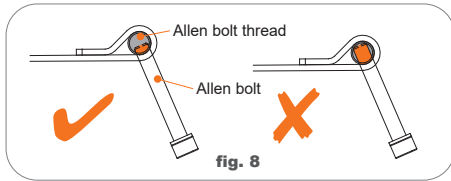


fig. 8

2. Loosen Allen bolt until most of its length is showing (leave last two or three bolt threads attached) (see fig. 8).

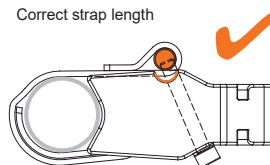


fig. 9

3. Adjust strap length to fit around seat stay (see fig. 9, 10). Strap end of bolt should be parallel with strap length marker (round indent). Wrap the end of strap (with built-in Allen bolt) around seat stay and push it through hole in other side of clamp—fine tune strap length as necessary.

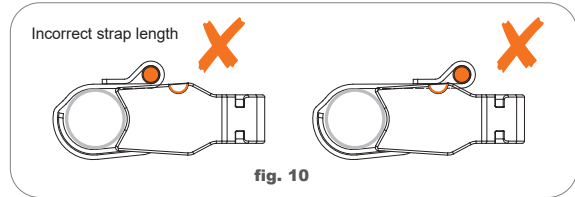


fig. 10

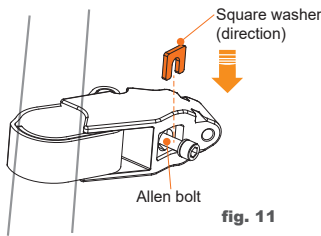


fig. 11

4. When bolt is pushed through hole, strap must be snug, and bolt should be long enough to allow square washer to go behind bolt head. The small, round washer sits on top of square washer (see fig. 11, 12). Tighten bolts, but not too firmly as further adjustment may be necessary.

ATTACH CARRIER TO SEATPOST

5. To attach arm to seatpost, follow the same procedure as for legs above.

TO COMPLETE ASSEMBLY

6. Inspect to make certain:

- Carrier is horizontal
 - Carrier has adequate clearance over wheel
 - Rear wheel is centred between carrier legs
 - Carrier does not touch or obstruct bike chain, freewheel or disk brake
- When carrier is mounted correctly and length and angle adjustments have been made, tighten all bolts securely.

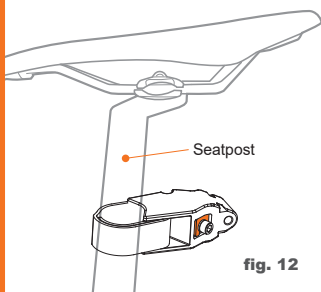


fig. 12

Fits **25–38** mm diameter seatposts.

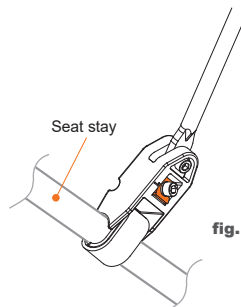


fig. 13

Fits **12–25** mm diameter seat stays.

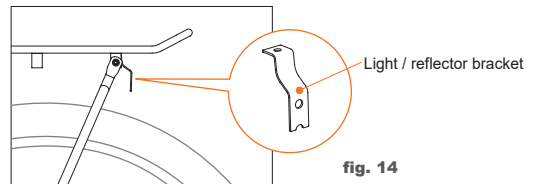


fig. 14

ATTACH LIGHT / REFLECTOR BRACKET

7. Mount under carrier rear crossbeam. Using 4 mm Allen key and wrench in unison, mount bracket using medium Allen bolt, washer and nut—bracket must protrude rearward. Tighten well.

Limited Warranty

Ibera warrants this product for normal usage against workmanship, and material defects to the original purchaser for two year from purchase date. Products purchased online are not covered by this warranty unless purchased from an authorised Ibera online store. 1. User assumes all risk of personal injury, damage to or failure of the product when it is used in jumping, acrobatics or similar activities. 2. Warranty does not cover any incidental or consequential damages, such as personal injury or other losses due to accident, neglect, misuse, abuse, modification, normal wear and tear, improper care and cleaning, or failure to follow included instructions.

See other Ibera products at www.ibera.info

Ibera Co. Ltd.

Specifications subject to change without notice. Ibera is a trademark of Ibera Co. Ltd. All other trademarks are property of their respective owners. Copyright 2019 Ibera Co. Ltd. Made in Taiwan. Artwork: 6–2019.