



Easy Utility Stand

Foldable stand for parking or display.

- Easy to use
- Front or rear wheel use
- Foldable
- Stable 3-point wheel support
- Spring-loaded cradle arm
- Durable construction
- Suitable for most bikes
- Fat tyre bike compatible



Rear wheel



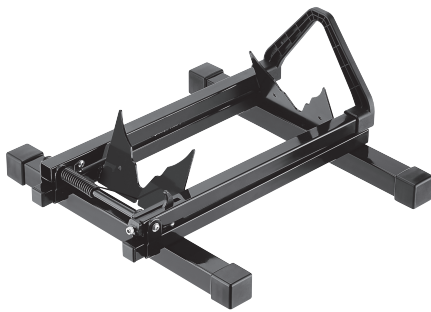
Front wheel

Features For parking or display. Easy to use. Front or rear wheel use. Spring-loaded cradle arm enables firm fit for different bikes, wheel or tyre sizes. Sturdy, durable construction. Foldable for transporting or storage.

Compatibility Most bikes with 20–29" wheels / Max. tyre width: 127 mm / 5". Mudguard compatible. [Max. Load 18 kg / 39.5 lb].

Material Steel, plastic.

2.42 kg



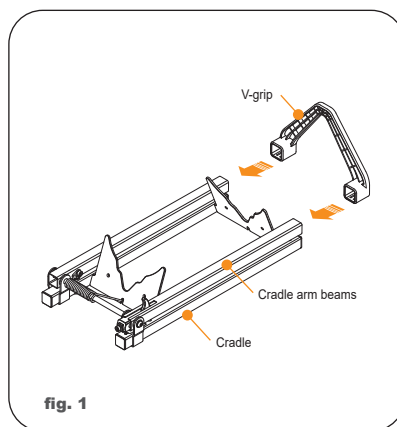
Stand folded



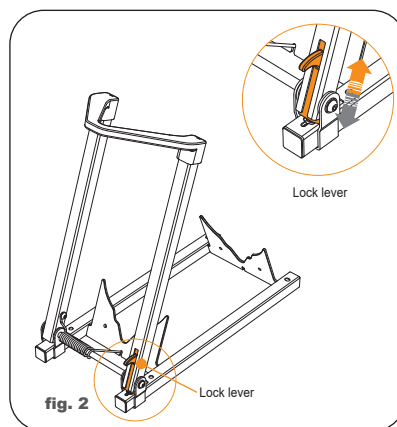
Fat tyre compatible



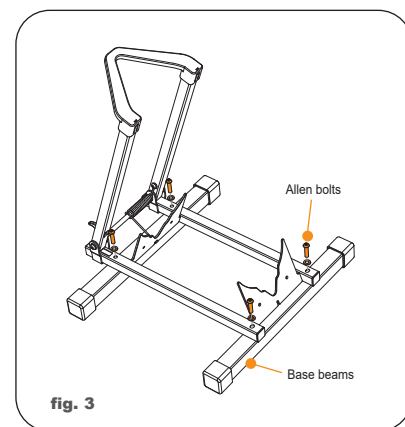
Stable 3-point wheel support



Attach V-grip



Raise cradle arm



Attach cradle to base

INSTRUCTIONS

1. Attach V-grip. Insert V-grip (V pointing up) into cradle arm beams. Push in firmly, locking in place on both sides (fig. 1).

2. Raise cradle arm. While pulling up lock lever, raise cradle arm to the fully vertical position, release lock lever, letting cradle arm sit at an angle (fig. 2).

3. Attach cradle to base. Align bolt holes on cradle with those on base beams. Insert bolts and tighten firmly with Allen key (fig. 3). Place bike in cradle—front or rear wheel. Cradle arm may automatically shift position depending on wheel size.

Notes

If necessary for transporting or storage, fold stand by pulling up lock lever to collapse cradle arm.