



Adjustable Easy Stand

Fully-adjustable, foldable stand for maintenance, parking or display.

- Adjustable height
- Non-scratch frame rests and floor pads
- Sturdy, durable construction
- Foldable

Features For 20–29" disk or non-disk wheels, Adjustable height, Adjustable chainstay holder width, Non-scratch floor pads, Non-scratch frame rests, Sturdy, durable construction. [Max. Load 15 kg.]

Material Steel, ABS, Thermoplastic rubber.

1.52 kg

INSTRUCTIONS

Tools required: 4 mm Allen key

ASSEMBLY

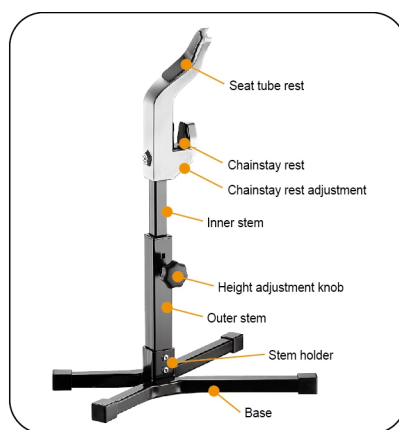
1. Place base legs together so stem holder forms a square.
2. Place outer stem in stem holder, making sure both bolt holes match up.
3. Slide washers onto Allen bolts.
4. With long section of base legs facing away from you, on left side of stem holder (smooth side), screw in bolts and tighten firmly.
5. With seat tube rest facing same direction as long section of legs, slide inner stem into outer stem.
6. Screw in height adjustment knob to hole in outer stem.

STAND USE

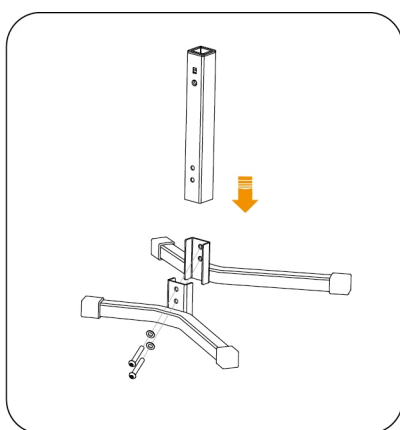
1. On non-chain side of bicycle, seat rear triangle of bike on stand: chainstay sits on chainstay rest; seat stay sits on seat stay rest.
2. Using height adjustment knob, adjust height to fit bike. Rear wheel should be raised above base legs so it can rotate.
3. With Allen key, adjust chainstay rest (via bolt underneath it) so that chain stay fits snugly.

Supplied Parts

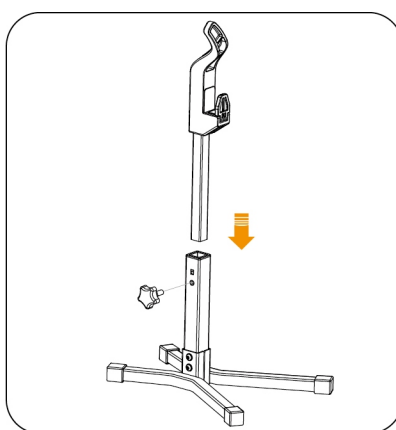
- a Allen bolts x 2
- b Washers x 2
- c Height adjustment knob



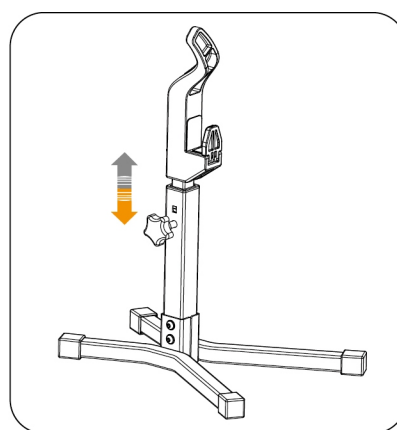
Parts & Functions



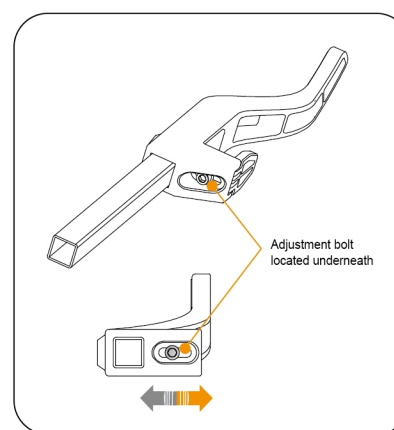
Assemble base with outer stem



Assemble outer stem with inner stem



Adjust height



Adjust chainstay rest width