

**Before you start:** The bases can be heavy, we recommend that you build the bed with at least one other person. Remove all the packaging and dispose of it carefully. Please keep out of reach of children. Ensure you remove any loose staples carefully using pliers.

## DIVAN BASE

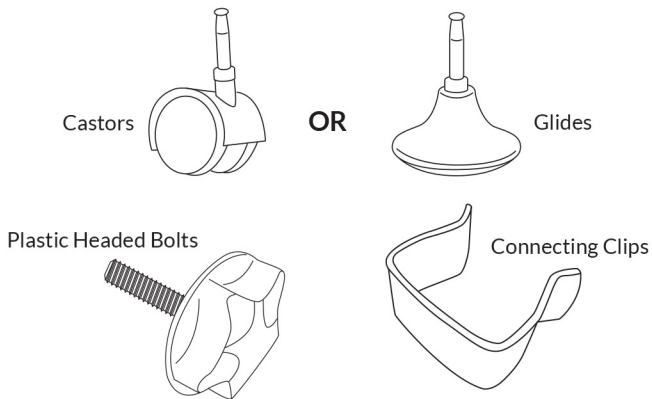
### To assemble your divan base, you will need:

A rubber mallet, large flat-ended screwdriver, scissors, pliers.

### What's in the box:

*Single base* – 6 castors/glides, 4 plastic headed bolts.

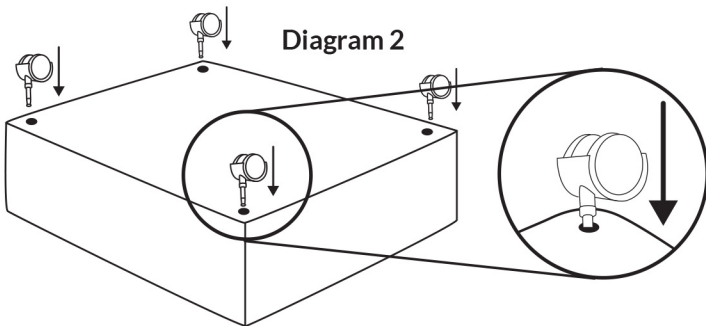
*Double base* – 8 castors/glides, 4 plastic headed bolts, 2 metal connecting clips.



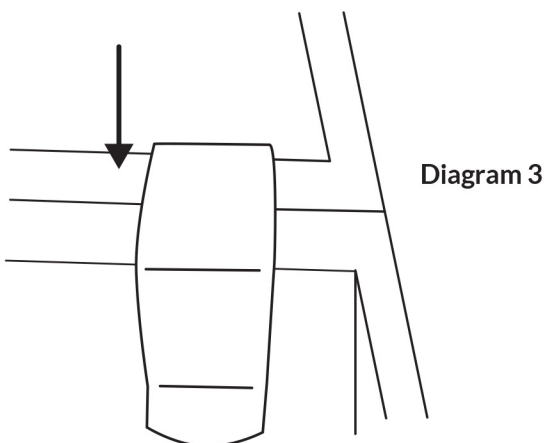
### Got everything you need?

Carefully turn the divan base over, you need to access the underside. You will see predrilled holes along the underside of the base.

Push each castor/glide into the hole and gently tap in with a rubber mallet. Do not use excessive force as this will damage both the castor/glide and the base.



When all the castors/glides have been fitted, turn the sections on their sides ready for the connecting clips. (If it's a single base you can skip to and attach your headboard).



## HEADBOARD

If your headboard came with the base use the instructions below to attach it. If you bought a different brand headboard you will need to work from the instructions that came with that headboard for best results as fixings may vary.

### To attach your headboard, you will need:

A large cross-ended screwdriver, scissors.

### Got everything you need?

Decide which end of your base you require the headboard. If you have an ottoman base decide which side you want the ottoman to open. Both ends of the base have predrilled holes marked out with stickers.

Pierce the cloth with the scissors.

### For Strutted headboards – standard base

Fold the struts down to position and secure with the screws.

