

A woman with long, straight brown hair is sitting on a bed with white linens, seen from behind. She is wearing a white tank top and light pink shorts. Her arms are raised in the air, and she appears to be stretching. The bed has a tufted, light-colored headboard. To the left, a lamp is visible on a bedside table. The window behind her shows a bright, scenic view of a lake reflecting a green hill under a blue sky with light clouds.

Sealy[®]

Welcome Pack

ASSEMBLY INSTRUCTIONS &
MANUFACTURERS' GUARANTEE



MADE IN CUMBRIA

Sealy possess a rich heritage that dates back to 1881. Over 130 years later Sealy has evolved into the world's number one bed brand operating in over 50 countries and has sold over 150 million beds worldwide.

Sealy beds are handmade in the heart of Cumbria, on the edge of the Lake District. When you create something in such beautiful surroundings, it's a constant reminder that you want things to stay that way. That is why Sealy UK has a Zero to Landfill policy and is a Carbon Neutral Organisation for both production and distribution.



Carbon
Neutral
Organisation



Zero
TO LANDFILL



Thank you for purchasing your new Sealy product.

We at Sealy are exceptionally proud of the superior standard of our products, which is why we offer a full manufacturers' guarantee on all of our products.

If you have any queries or issues, please contact us on 016973 20342 or webenquiry@sealy.co.uk

Contents

Divan Assembly Instructions	Page 4
Headboard Assembly Instructions	Page 5
Ottoman Assembly Instructions	Pages 6-7
Care and Usage Instructions	Pages 8-9
Guarantee	Page 10
Terms and Conditions	Pages 11-12

Divan Assembly Instructions

You will need: • Wooden/rubber mallet • Phillips/slotted/Pozidriv screwdriver • Pliers
• Scissors

To avoid the risk of injury, it is recommended that a minimum of two people assemble and install this product.

UNWRAPPING

Carefully remove any cardboard protectors and all packaging staples with pliers to avoid injury. Dispose of all polythene immediately to avoid the risk of suffocation to children. Where possible please recycle all packaging.

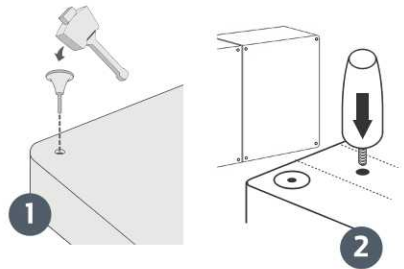
FITTINGS

Remove the fittings from the bags that are attached either to the divan base or in the drawer.

ATTACHING CASTORS, LEGS AND GLIDES

Glides/Castors: Push into the corner sockets and gently tap with a wooden mallet until it is fully 'home'. Do not use a metal hammer or object as this may damage the castors or divan base (pic 1).

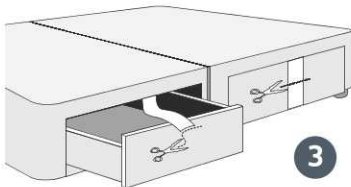
Legs: To affix legs, screw bolts into the threaded holes marked 'pierce here for fittings' (pic 2).



CONNECTING THE BASES

DEEP BASES: Bring the two bases together, ensuring that the black unit connectors are opposite each other. Standing where they join, lift the right hand base (approximately 10cm) whilst holding the left hand base in position, squeeze the bases together and lower the right one down ensuring the connectors interlock. Repeat on the other side.

SHALLOW BASES: Position the bases on their sides with the metal corner plates to the outer corners of the base. To join the bases, insert a leg thread through the slot in one of the linking plates and screw it loosely into one of the centre holes (identified by a 'pierce here' label). Screw a second leg into the opposing hole on the other base, link the 'hook' of the joining plate over it and tighten both legs. Repeat for the other legs.



DRAWER STORAGE

To release the drawers, please cut the temporary restraining straps and trim off any excess fabric (pic 3). Carefully remove any excess staples with pliers.

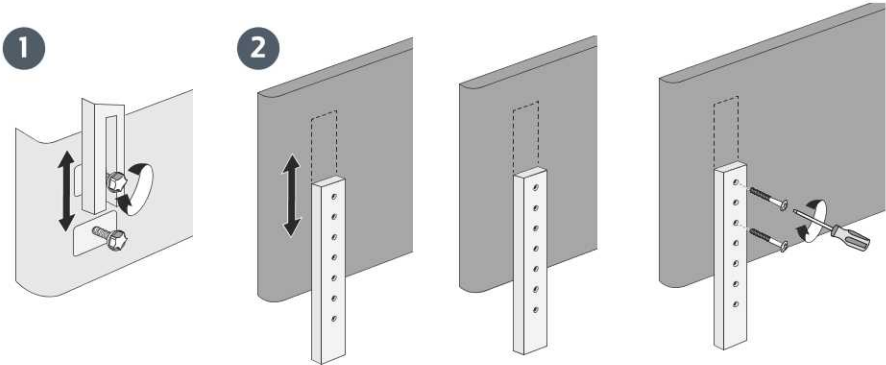
Please Note: Pulling the straps off may tear the fabric.

Headboard Assembly Instructions

Take time and consideration when choosing which end of the bed you would like to attach the headboard to. Once the head end has been decided, carefully pierce the fabric where the holes can be felt beneath the 'pierce here' stickers.

Strutted headboards

(1) Place the headboard bolt into the hole and fasten into place. Lower the headboard into position before fully tightening the bolt. (2) Note that headboard heights can be adjusted, by amending the position of the screws on the back of the board. There are 5 different positions in which you can adjust the height of your board to allow it to sit nicely above your mattress.

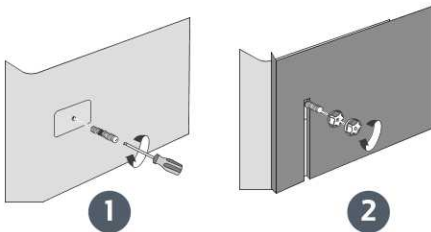


Full height headboards

Carefully pierce the fabric where the stickers mark the hole in the divan.

Line up the headboard hole with the divan hole. (1) Thread the headboard bolt through them both and tighten into position. If additional fittings have been supplied, please use these instead of the standard fittings issued with the divan base. Pierce the divan with the bolts and screw into the base until the shorter thread is no longer visible. Position the headboard in place. (2) Place a single plastic cap on each of the bolts and tighten until headboard is secure. Place a second plastic cap on each of the bolts to prevent them from catching*.

*The additional cap can also be used as a spacer between the headboard and the divan. This should only be used as a spacer if the divan drawer is restricted from opening by the headboard.



Ottoman Assembly Instructions

ASSEMBLE THE BED IN THE ROOM IT IS TO BE SITUATED IN.

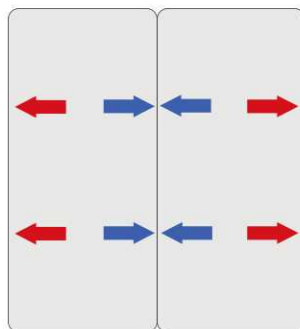
You will need: • Wooden/rubber mallet • Phillips/slotted/Pozidriv screwdrivers
• Pliers • Scissors

To avoid the risk of injury, it is recommended that a minimum of two people assemble and install this product.



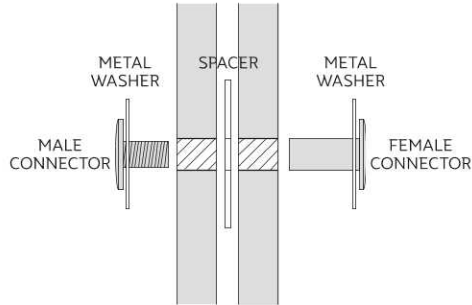
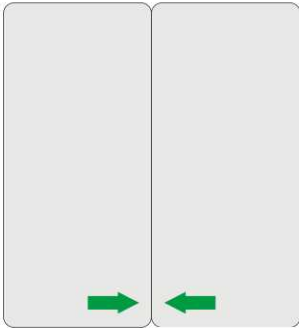
Cutting the ottoman strap will cause the ottoman to open immediately. Please ensure you follow the instructions below.

1. Start by unwrapping the base being careful to cut the wrapping away from the fabric, then turn the unit onto its base.
2. Cut the strap that holds the lid in place, when being transported, **being careful to hold the lid down, as it can spring up unexpectedly.** Remove other packaging, such as cardboard protectors and cloth straps.
3. Carefully remove any staples that held this packaging in place.
4. With the lid raised to full height, locate and remove the wooden corner transit posts.
5. Familiarise yourself with the contents of the fittings bag, which will be located within the base.
6. Turn base onto its side and gently hammer the four glides (feet) into the corner sockets.
7. Turn the unit onto its base then repeat on the other 1/2 base.
8. Locate the 'Pierce Here' stickers on the long inside edge of each lid, carefully pierce the fabric and make a hole large enough for the 'female' connector.
9. Locate the two drilled connecting holes on the long inside edge of the base units, (blue arrows) then pierce the fabric and make a hole large enough for the 'female' connector in all four aligned holes (two on each base).
10. Push both units together and line up.
11. Apply the metal washer and insert the 'male' connector from the inside of one of the base units. Also using a metal washer, insert the 'male' connector from the inside of the other base.
12. Screw the 'male' and 'female' connectors together.
13. Repeat step eight for the second connector.
14. Insert the beige plastic hole covers in the remaining unused connector holes (red arrows).



Connecting the Lid

- Place a metal washer on a 'female' connector and pass through the hole from the inside of the lid (green arrows).
- Using a metal washer, insert the 'male' connector from the inside of the other lid.
- Screw the 'male' and 'female' connectors together.



NOTE: It may be necessary to include one or both plastic space saver washers between the lids, to allow for adjustment of irregular floors etc.

Having completed steps one to seventeen, the bases should be correctly assembled. Now you can lower the lid, hold it closed and lay the mattress on the lid.



SAFETY WARNINGS

- Never operate the recliner mechanism without a mattress on the divan base.
- Never allow children or pets to play on or inside the Ottoman divan base.
- Stand clear when opening or closing the Ottoman divan base.
- Ensure bed linen does not get caught within the recliner mechanisms.
- Close the Ottoman divan base by pushing down with both hands centrally on the mattress.
- Do not operate the mechanism while the bed is being used.
- Maximum loading weight is 40kg evenly distributed.

Care and Usage Instructions

Our beds and mattresses are designed and tested to the highest British standards. We want you to enjoy a great night's sleep night after night, so to help maintain the quality and comfort of your mattress and bed, we've put together these care instructions for you.

GETTING USED TO YOUR BED

Chances are that the springs and upholstery in your old bed were not what they used to be, so your new bed may seem a little strange at first. Please allow time for your body to adjust to your new bed and for the fillings to settle.

FILLING SETTLEMENT IS NORMAL

Due to modern day fillings being more sumptuous than their predecessors, settlement within your mattress should be expected and is perfectly normal.

Your new mattress is zoned to complement the human body and it is the underlying support system that ensures you are offered optimum support in the zoned areas.

Some settlement in the filling layers is perfectly normal and there is no need for concern.

The main causes for settlement are attributed to:

- Extra pressure in areas where body weight is most pronounced.
- Body heat and moisture, which can escalate settlement and slow down the recovery process of the fillings.

Settlement Levels

An acceptable level of settlement on a Sealy mattress is up to 3.5cm, anything above this would be considered 'faulty'. However, there are a number of contributing factors which may affect the level of settlement:

- Stature and weight of sleeper(s)
- Frequency of rotating/turning the mattress
- Period of use the mattress has experienced
- Specification of mattress, i.e. we would expect to see more settlement in a luxurious pillow top mattress than a firm hand tufted mattress

Ensuring that your mattress is cared for properly may help to reduce settlement:

- Only use your mattress with a suitable base – one which will provide adequate support e.g. with slatted bed frames the slat widths should be 10cm and the gap between them no more than 7.5 cm
- If your mattress is double sided please turn and rotate it 'top-to-toe' regularly.
- If your mattress is single sided rotate your mattress 'top-to-toe' so that settlement from body pressures are evenly distributed.

As with any soft furnishing product, your mattress will start to show settlement after several months of use. Whilst fillings may settle over time, the support system within your mattress will ensure that you receive many years of comfort from your mattress.

NEW MATTRESS SMELL

It's quite normal for new mattresses to have a slight odour when unpackaged. This is nothing to worry about and by airing the mattress you will find that any odours will pass.

We recommend you air your mattress daily by pulling the bed covers back.

TURN AND ROTATE YOUR MATTRESS REGULARLY

Most of our mattresses are now non-turn, single-sided so they only require rotating from end to end, which we would recommend that you do at least twice a month during the first year of use, then once a month thereafter. This will minimise natural settlement and maximise the comfort life of your mattress.

Under no circumstances should the underside of the mattress be used as a sleeping surface. Double-sided mattress should be rotated and turned at least twice a month during the first year of use, then once a month thereafter. This will minimise natural settlement and maximise the comfort life of your mattress.

PROTECT YOUR MATTRESS

We recommend that you use a breathable mattress cover, which will protect it from coming into contact with body moisture or other liquids.

USING AN ELECTRIC BLANKET

All Sealy mattresses are suitable for use with an electric blanket. We recommend you follow any instructions and safety precautions provided by the electric blanket manufacturer. Sealy cannot be liable for any issues that relate to the electric blanket.

DO NOT USE DETERGENTS OR CHEMICAL CLEANERS

Using detergents or chemical cleaners on your mattress may damage the fabric and stitching.

DO NOT BEND OR ROLL YOUR MATTRESS

Please don't bend or roll your mattress as this will damage it and invalidate the guarantee.

DO NOT OVERLOAD OR OVERFILL THE DRAWERS

If your bed has drawers, they have been designed to take lightweight items only. Excessive weight can cause distortion or damage to the drawers. Overfilling them may cause them to jam.

Maximum weight:

- Mini drawers - 7kg.
- Standard drawers - 15kg.
- Our Ottoman beds have a maximum fill weight of 40kg and this should be spread evenly.

Guarantee

In the unlikely event of a defect in material or workmanship occurring within the 5 year guarantee period, we will arrange to repair or replace the item under complaint free of charge at our discretion. The guarantee will continue from the original date of purchase.

Any claims made under this guarantee must be made initially through the retailer from whom the product was purchased.

We cannot enter into any discussion with the purchaser until the retailer has inspected any alleged complaint and judged justified or otherwise. On receipt of the retailers' report, we will take whatever action is necessary under the terms of the guarantee.

Sealy reserve the right to refuse service with any defect if:

1. The defect is due to causes other than faulty materials or workmanship.
2. The item is soiled and in an insanitary condition.
3. Any of our Terms and Conditions are not abided to in full.

When repairing or replacing items under the guarantee, we reserve the right to substitute products or materials should the original no longer be available and cannot undertake to match items not under complaint. This does not affect the purchaser's statutory rights.

Guarantee applicable on purchases made from 2nd April 2019.

Terms & Conditions

Terms and Conditions of your Full Manufacturers Guarantee.

Should any of these terms not be abided to, we reserve the right to refuse service.

If you wish to make a claim under the guarantee please check the conditions relating to your specific product. You must be able to provide proof of purchase to be able to register a claim. Your purchase must have been made through an authorised retailer of Sealy products within the UK and Republic of Ireland.

1. Our mattresses should not be rolled or bent – this could distort the spring system which in turn may affect the upholstery layers. This applies on delivery and if you need to move the mattress from room to room or house to house.
2. Please do not attempt to modify alter or adapt your mattress, bed or headboard as this will invalidate your guarantee.
3. All Sealy products must have been used in accordance with the care instructions, including being turned and rotated 'head-to-toe' if double sided or rotated 'head-to-toe' if single sided, to help with settling the cushioning layers.
4. Single sided mattresses should only ever be used on the sleeping surface intended. Under no circumstance should the underside of the mattress be used as a sleeping surface.

5. Sealy reserve the right to substitute products or materials should the original no longer be available and cannot undertake to match items not under complaint. This does not affect the purchaser's statutory rights.
6. The mattress should not be used without bed linen and we recommend that you use a breathable mattress protector from new to maintain your mattress.
7. The mattress must be used with a suitable base – one which will provide suitable adequate support e.g. with slatted bed frames the slat widths should be 10cm and the gap between them no more than 7.5 cm.
8. The weight tolerance of 7kg on the small drawers, 15kg on the standard drawer and 40kg on ottoman beds has not been exceeded.
9. We will be unable to accept a claim if the product has been subjected to unfair wear and tear.
10. We are unable to accept items that are soiled or unhygienic.
11. This guarantee does not cover accidental damage and only covers defects in manufacture, materials or workmanship.
12. We may choose to instruct an independent third party specialist to carry out an in home assessment of your product and claim to assist in our decision making.
13. This guarantee only applies to Sealy products that have been purchased from an authorised retailer in the UK and Republic of Ireland.
14. This guarantee only applies to domestic products that have been purchased and used in a domestic setting. This guarantee does not apply to commercial products or premises.
15. This guarantee applies only to the original purchaser and can't be transferred to anyone else if you decide to sell your Sealy product within the guarantee period.
16. This guarantee is a manufacturer's guarantee and as such we are unable to offer any refunds.
17. This guarantee is a manufacturer's guarantee and is limited to repair or replacement at our discretion. You may have additional rights under the Consumer Rights Act 2015 with your retailer. if you purchased directly from Sealy then your claim would be dealt with by us. It is usual for your retailer to deal with your claim in at least the first year after purchase, so always check with them first.
18. All our mattresses are hand made to metric dimensions, meaning they will naturally vary a little in size. Sealy allow a +/- 2cm tolerance.
19. This guarantee does not affect your consumer rights.



Sealy Smart Fibres are endorsed by Allergy UK for the elimination of house dust mites.



ORTHOPEDIC
ADVISORY BOARD

Sealy is endorsed by the Orthopaedic Advisory Board



All Sealy divan frames and headboards are only made with FSC® certified timber. (FSC® C104461)



BSI Certified Quality Management System.



Sealy UK is a member of FISP, the mark of sustainable excellence.



Our heritage is hugely important to us. We are very fortunate to have our home cushioned in the beautiful surroundings of the Lake District. We take great pride in supporting the wonderful county of Cumbria and the communities, charities, businesses and residents who occupy it.



At Sealy we take our environmental responsibility very seriously and we are incredibly proud to declare a Zero to Landfill policy. To achieve this goal has taken a substantial amount of investment in time, management and resource, but an investment we feel incredibly worthwhile.



Sealy UK is now Carbon Neutral - for both production and distribution. Carbon emissions caused by us are balanced out by funding an equivalent amount of carbon savings elsewhere in the world.

Sealy United Kingdom,
Station Road, Aspatria, Wigton, Cumbria CA7 2AS
Telephone: 016973 20342 Email: webenquiry@sealy.co.uk

www.sealy.co.uk

