

Low Rise Assembly Instructions

Items included:

1x



M4 x 12mm
socket head screw

1x



T15 8-32 security screw

2x



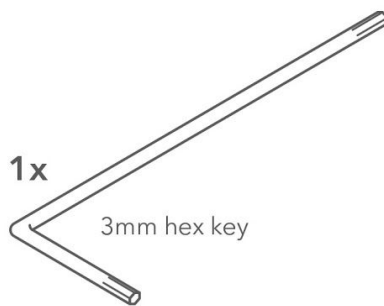
Push-in barrel key

1x



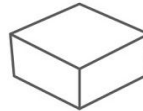
T15 security bit

1x



3mm hex key

4x



Bumper foot

Also includes:

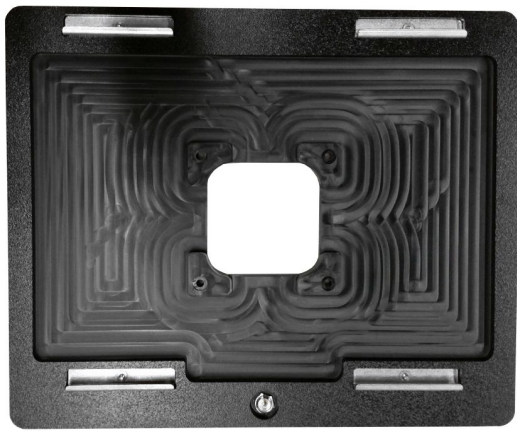
- Bit driver
- 6 ft. power cord (with ground)

Items Required (not included):

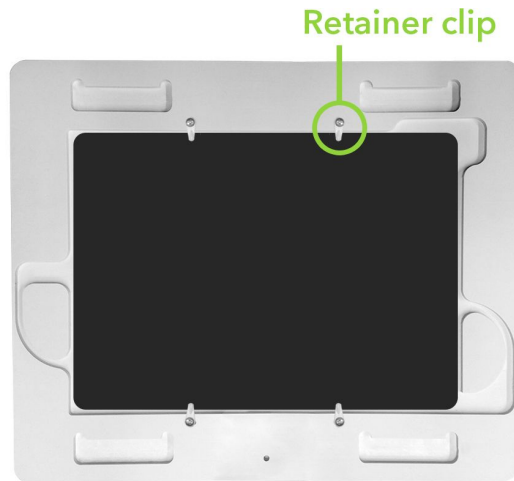
- Tablet
- Tablet power cable provided by manufacturer (third-party cables may not fit)

Inserting your tablet into the head enclosure

1. Insert the barrel key and turn to unlock the head enclosure.
2. Lift the face of the enclosure away from the back by disjoining the internal clips.



Interior of back



Interior of front

3. Insert the tablet's power cable into the tablet, along with any other necessary cables.
4. Turn the retainer clips so the tablet can be placed into the enclosure.
5. Place the tablet into the enclosure so that the cable ports line up with the cutouts.
6. Turn the retainer clips to secure the tablet.
7. Thread the cable(s) through the center hole of the back of the head enclosure.
8. Align the face with the back so the locking clips are joined, and slide the pieces together.
9. Push in the barrel lock to secure.

Attaching the kiosk to a countertop surface

1. Unattach the two bracket pieces by unscrewing the four 8-32 screws using the bit driver and security bit.
2. Take the inner bracket and place it on your surface. The front of the kiosk will be the short side of the bracket.
3. Insert your screws/bolts (not provided) through the two small holes on either side of the opening and secure it to the surface.
4. Take the head enclosure with the outer bracket already attached and position it so the tablet is facing the same direction as the short side of the bracket attached to the surface.
5. Align the four threaded holes (two on each side) and attach the 8-32 screws using the bit driver and security bit.

