

OR9B Shower Door Instruction Manual



Please keep this manual and product code for future reference and to order replacement parts.

General Instructions: read this manual carefully and completely before proceeding. It is recommended that you wear safety glasses and all times during the installation

Installation over Ceramic Tiles: Silicone should be used to seal the gap where the ceramic tiles meet the fixed panel. If your shower door is to be installed over ceramic tiles, the tiles should lay completely under the wall jams.

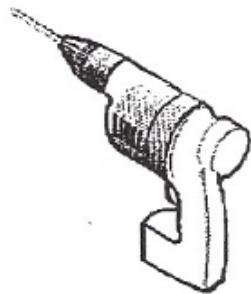
Notice: calking: no sealant is required inside the shower. All models are equipped with transparent sealing gaskets.

Care for your Framed Shower Door: Never use scouring powder pads or sharp instruments on metal pieces or glass panels. An occasional wiping down with a mild soap diluted in water is all that is needed to keep the panels and aluminum parts looking new. We recommend wiping the glass panels with a squeegee after every use.

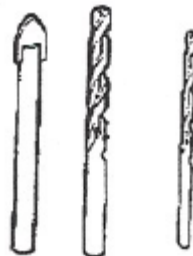
Tools and Materials Required



Screwdriver



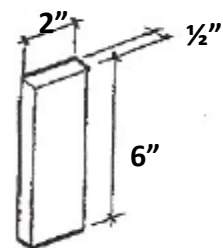
Drill



Drill Bits*



Silicone

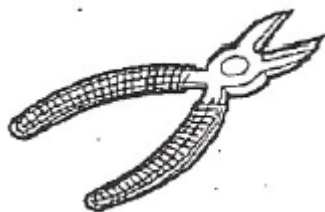


Wooden Block

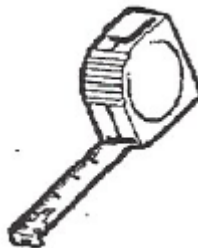
*if the shower panels are to be assembled on ceramic tiles, us a 1/4" drill bit for ceramic tiles.



Pencil



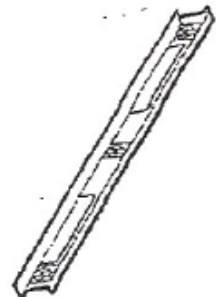
Cutting Pliers



Tape Measure

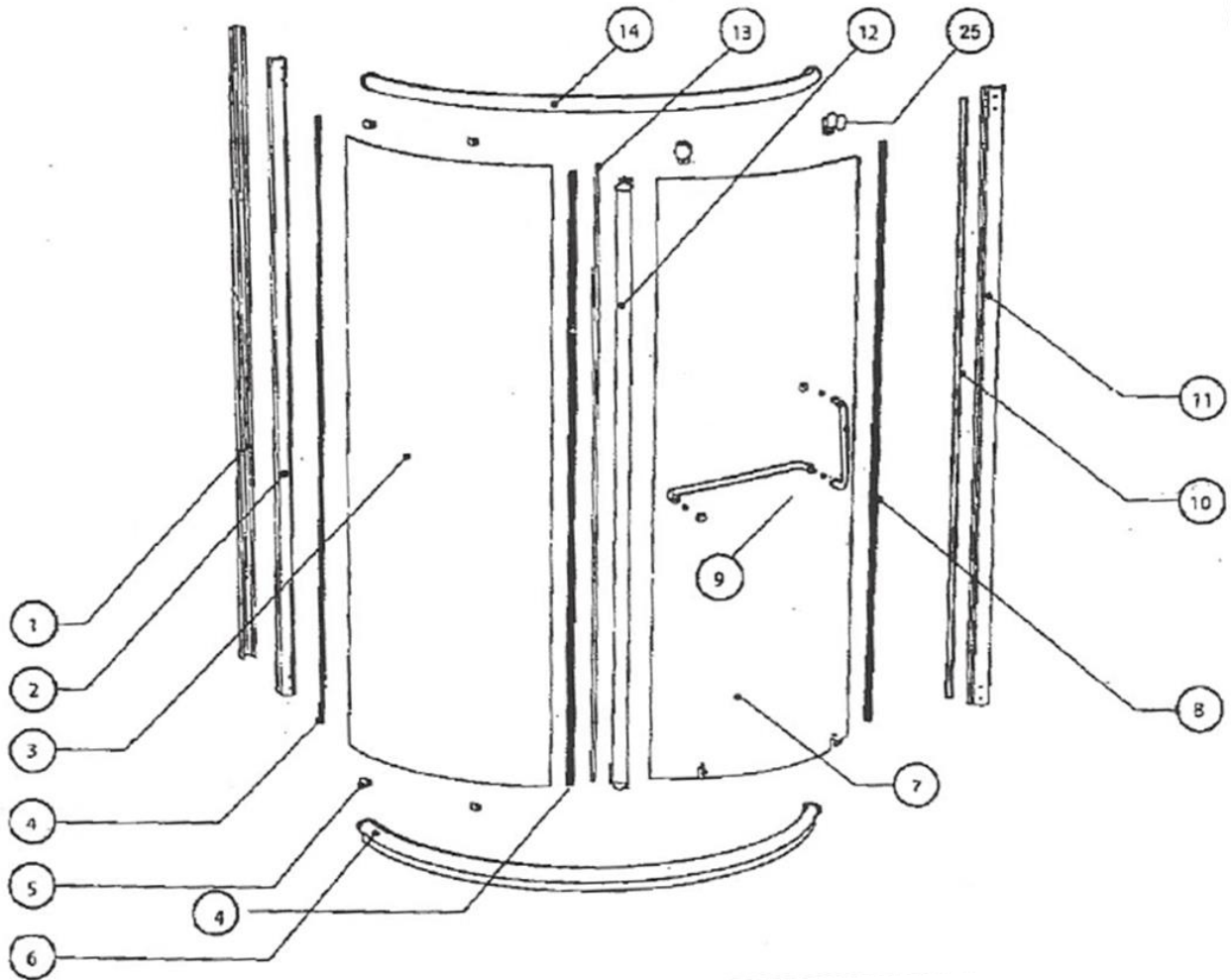


Mallet



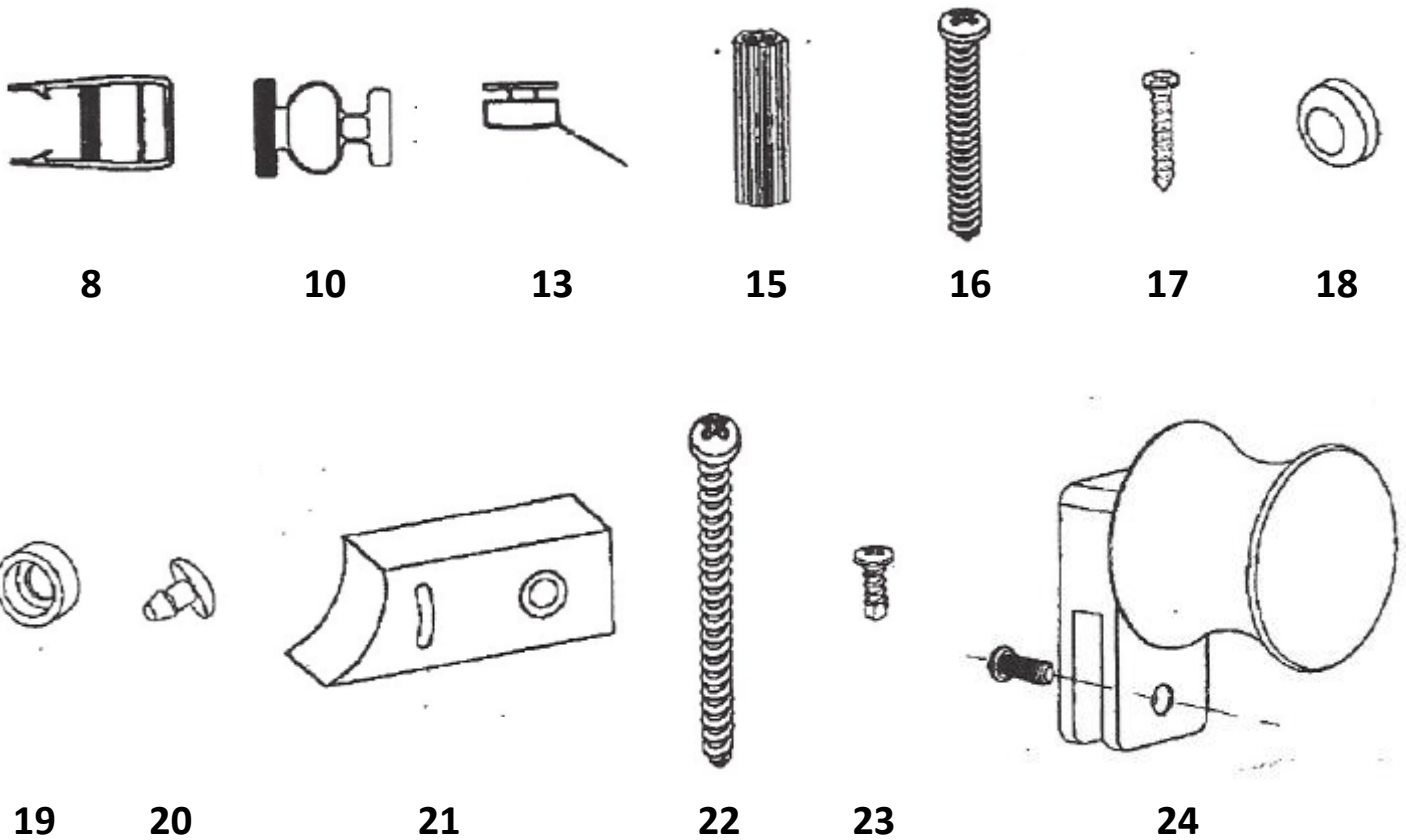
Level

Parts



Item	Parts	Dimensions	Qty
1	Wall Jamb	74 4/5"	2
2	Expander	74 4/5"	1
3	Fixed Panel	71 7/10" x 31 1/10"	1
4	Side Gasket	73 4/5"	2
5	Glass Support		4
6	Bottom Track		1
7	Door Panel	73 2/5" x 31 1/2"	1
8	Door Magnet Gasket	71 7/10"	1
9	Set of Handles		1
10	Magnetic Door Gasket	73 2/5"	1
11	Magnet Expander	74 4/5"	1
12	Vertical Column	69 1/2"	1
13	Side Gasket	71 7/10"	1
14	Top Track		1

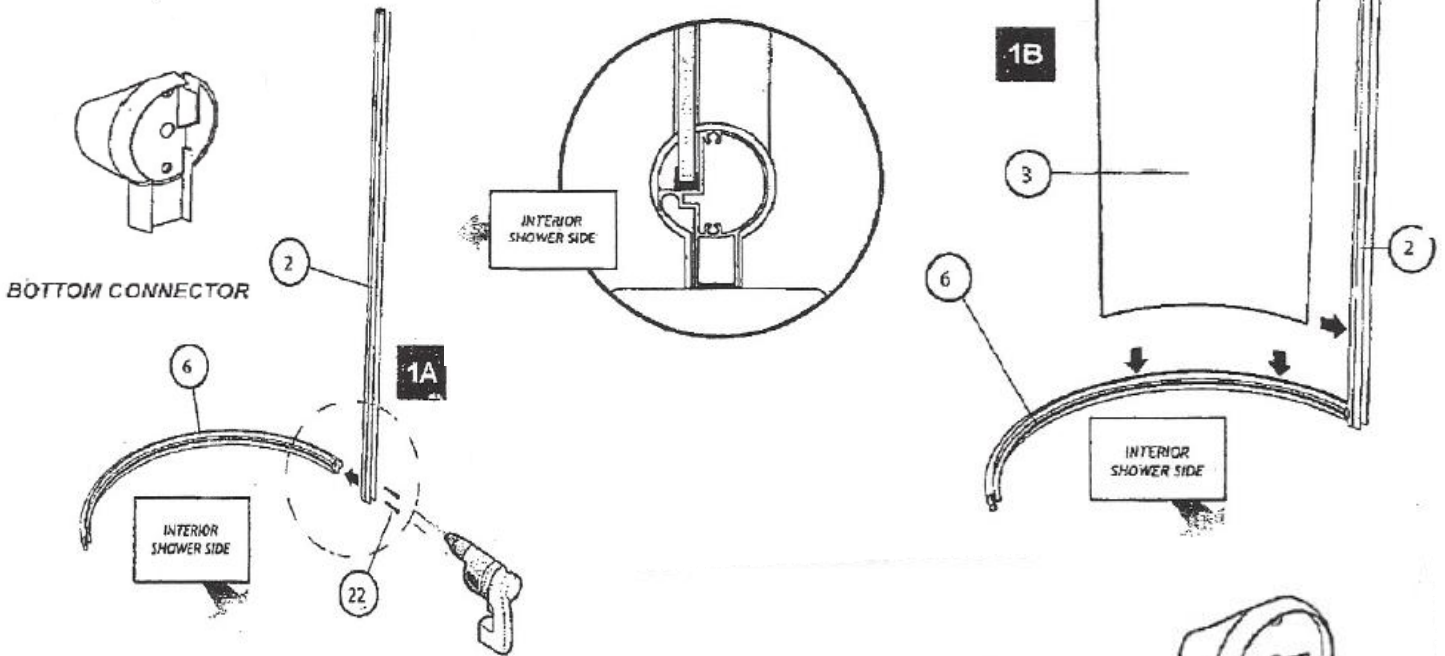
Provided Hardware



Item	Hardware	Qty
8	Door Magnet Gasket	1
10	Magnetic Door Gasket	1
13	Side Gasket	1
15	Wall Plug	6
16	1-1/5" Screw (M4 X 30)	6
17	3/5" Screw (M4 X 16)	10
18	Screw Cap	8
19	Washer	8
20	Cap	4
21	Stopper	1
22	2" Screw (M4 X 50)	10
23	1/2" Screw (M4 X 12)	1
24	Wheels	2

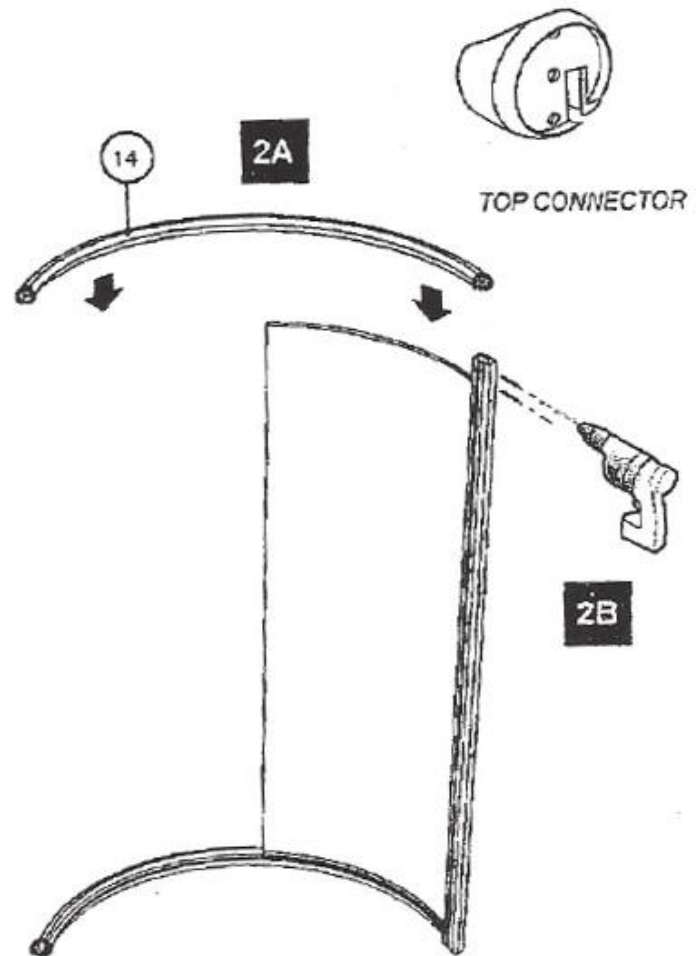
1. The Frame Assembly

- a. Using 2" screws (22), fasten the expander (2) to the bottom track (6) by placing the bottom connector between the bottom track and expander
- b. Slide the fixed panel into bottom track (6).

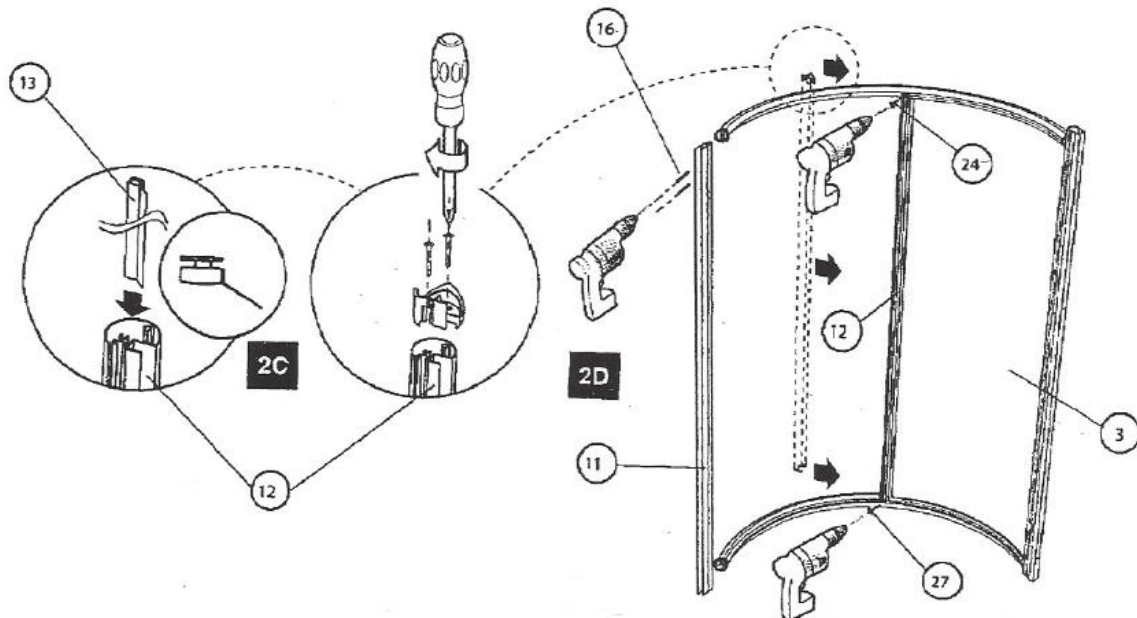


2. Fixed Panel Installation

- a. Fasten the top track (14) using two 2" screws (22) by placing the top connector between the top track and expander.
- b. Insert side gasket (4) into vertical column (12), before framing the fixed panel (3).

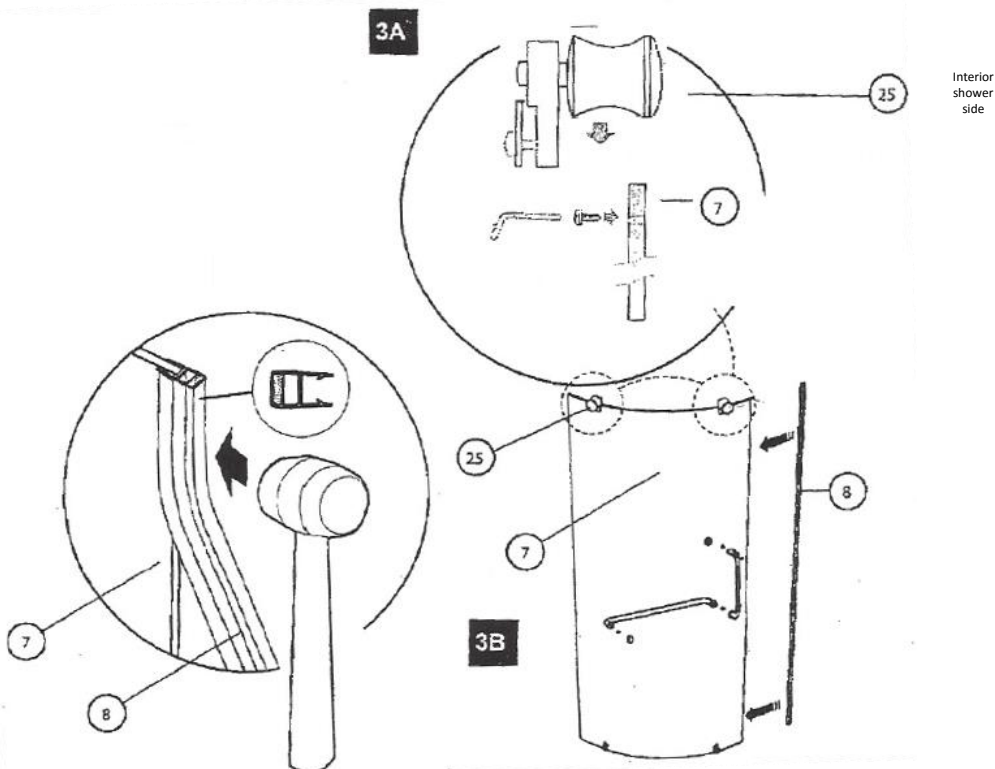


- c. Insert the vertical column (12) onto fixed panel and screw into the top and bottom track using two of the 3/5" screws (17).
- d. Screw the magnetic expander (11) to the top and bottom tracks using four 2" screws (22) by placing the two connectors between.



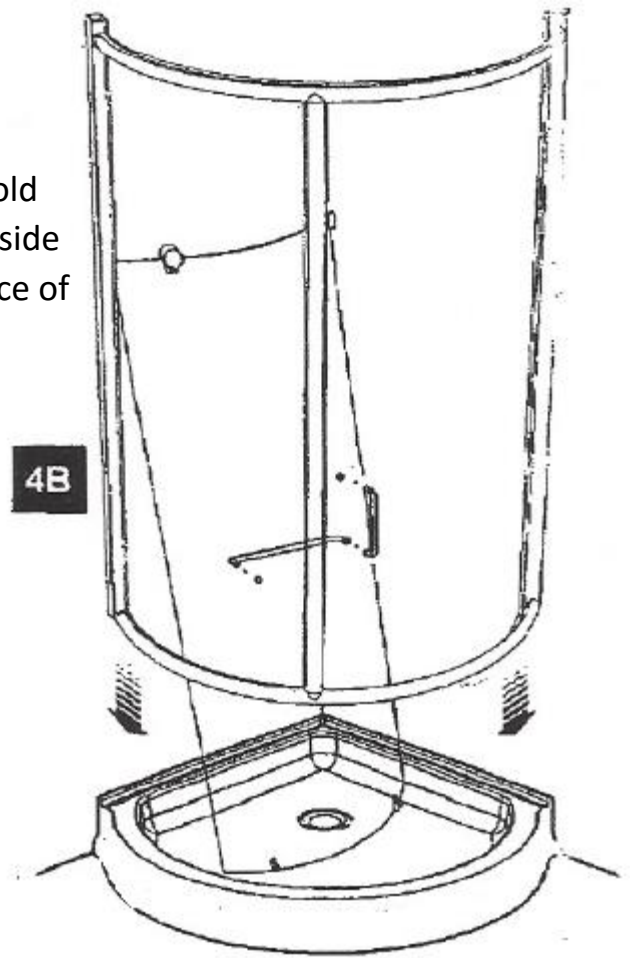
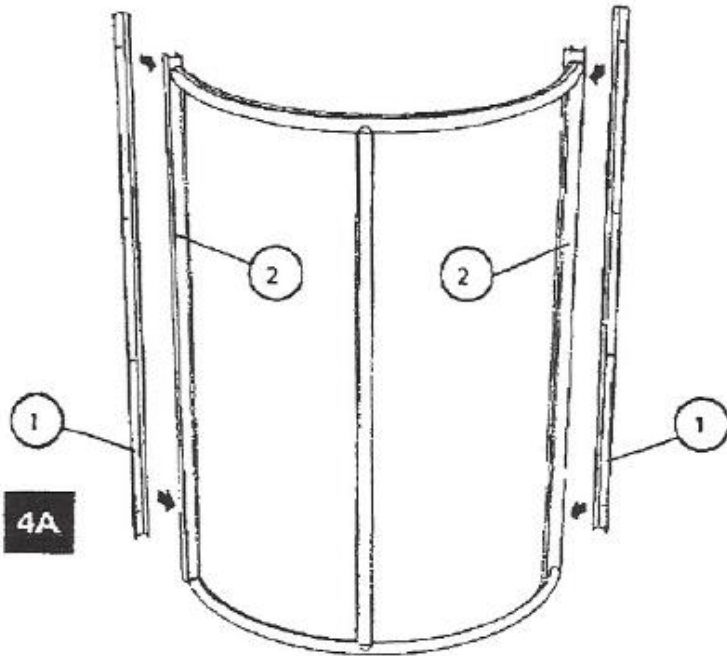
3. Door Panel Setup

- a. Insert the wheels (25) onto door panel (7)
- b. Insert the door magnet gasket (8) onto door panel (7)
- c. Install the handles (9) using washers.



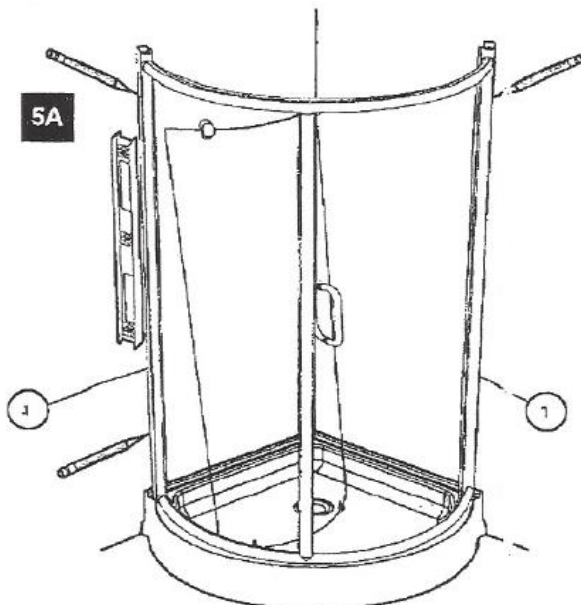
4. Insert Wall Jamb

- a. Insert wall jamba (1) temporary into frame expanders (2).
- b. Position and center the frame onto threshold of shower base. Place the door panel (3) inside the shower base. Ensuring to protect surface of the base



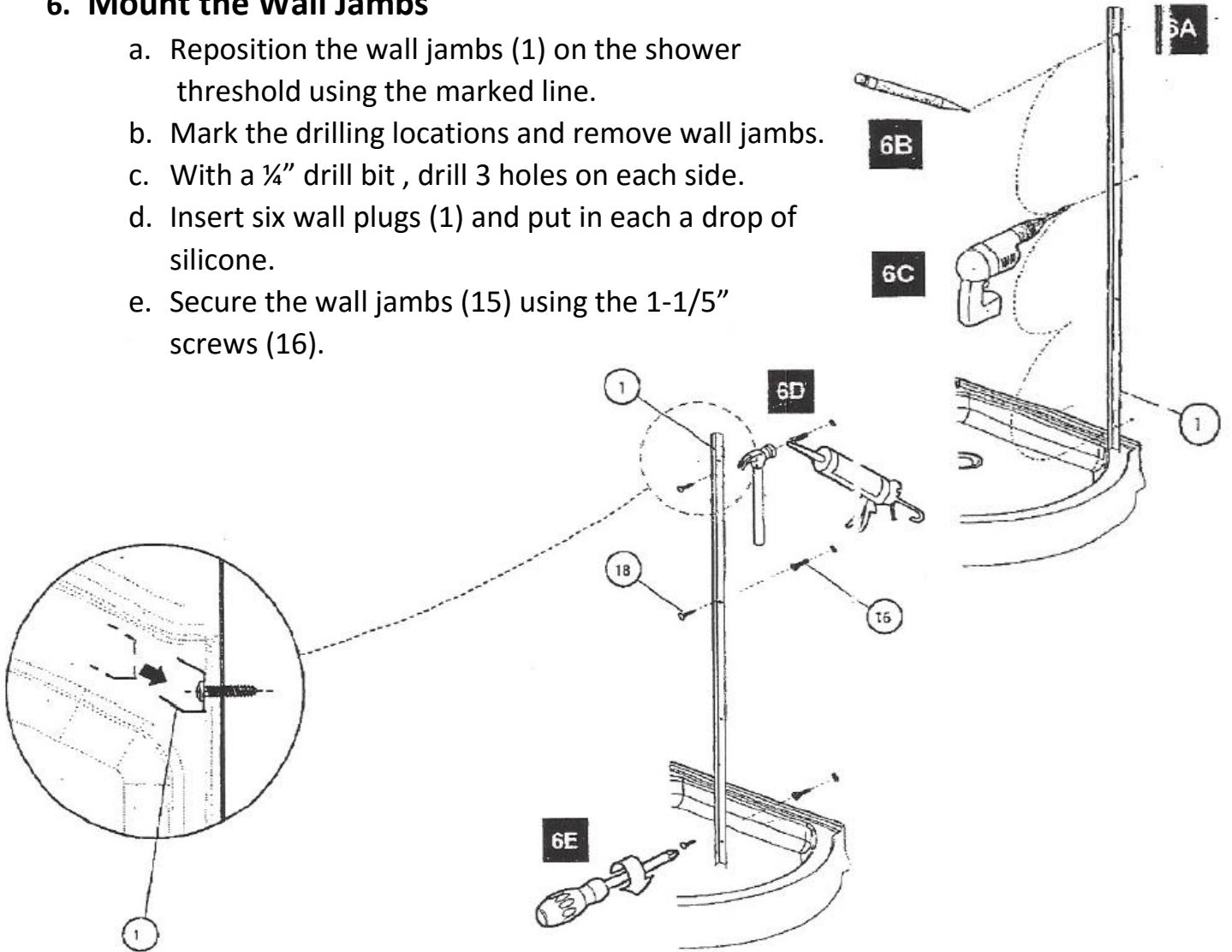
5. Positioning The Frame

- a. Level the shower frame and trace the outer edge of the wall jamba (1)



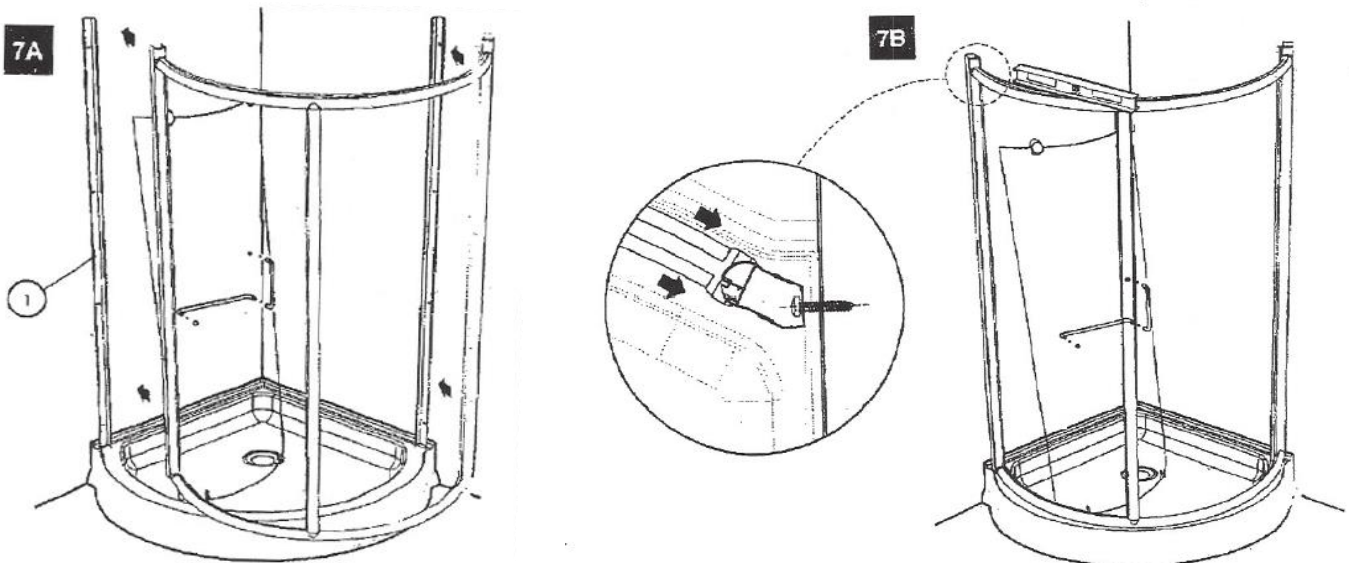
6. Mount the Wall Jambs

- Reposition the wall jambs (1) on the shower threshold using the marked line.
- Mark the drilling locations and remove wall jambs.
- With a $\frac{1}{4}$ " drill bit, drill 3 holes on each side.
- Insert six wall plugs (1) and put in each a drop of silicone.
- Secure the wall jambs (15) using the 1-1/5" screws (16).



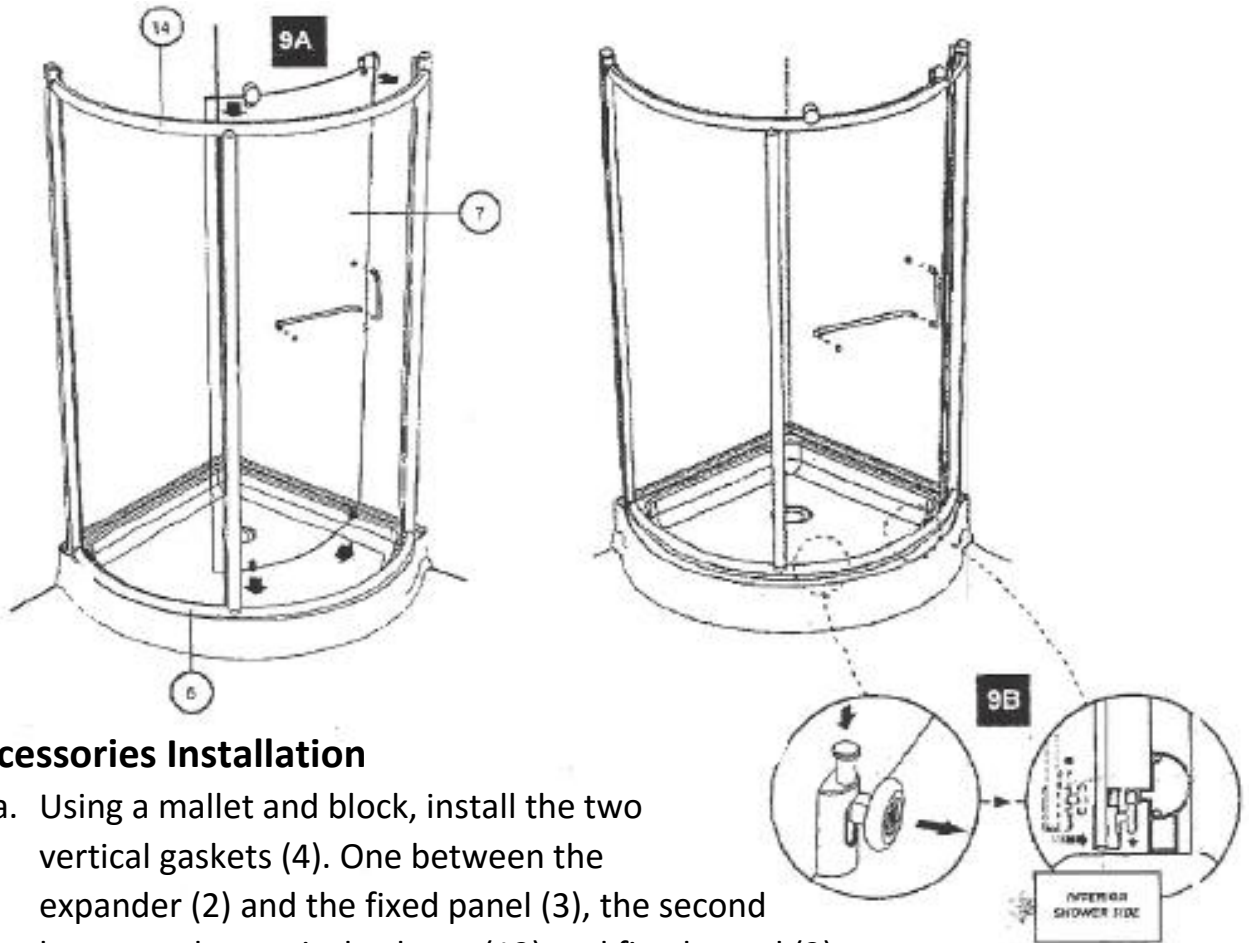
7. Insert Frame

- Insert the shower frame into wall jambs (1) as illustrated
- Level the frame



8. Door Installation

- Place the top rollers (25) of the door panel (7)
- Insert door bottom guides (6) into bottom track. Slightly unscrew the nut of the top rollers of the door panel (7) this will allow you to adjust the door. Screw it back by ensuring verticality with the level



9. Accessories Installation

- Using a mallet and block, install the two vertical gaskets (4). One between the expander (2) and the fixed panel (3), the second between the vertical column (12) and fixed panel (3). The gasket (4) must be installed inside the shower.
- The bumper is located on the bottom track opposite of the door.
- Place the expander caps (21) on the expander (2)

