



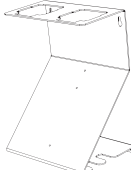

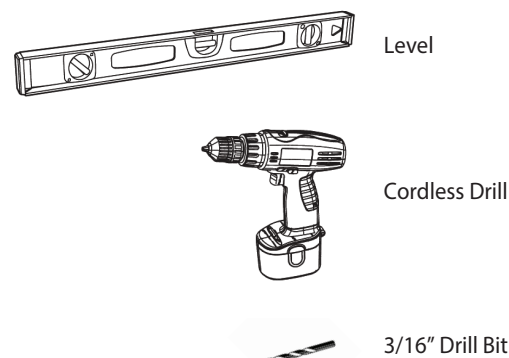


Bold MFG Charger Mount for Ryobi ONE+ 18V Installation Instructions

Included Components and Hardware

- (A)  Qty 4, #8 x 1" Self Tapping Screw
- (B)  Qty 1, #8 x 1/2" Self Tapping Pan Head Screw
- (C)  Qty 2, #8 x 1/2" Self Tapping Flat Head Screw
- (D)  Qty 4, Drywall Anchor
- (E)  Qty 1, Charger Mount
- (F)  Qty 1, Charger Locking Tab

Tools Needed for Installation



Compatibility

This charger mount is designed to work only with Ryobi ONE+ 18V products. We do not guarantee the fitment of aftermarket/ off brand chargers and batteries

Compatible Chargers : Ryobi ONE+ 18V Charger Model: PCG002

Compatible Batteries : Ryobi ONE+ 18V

FIG. 1

Step 1 – Install the Mount to Wall

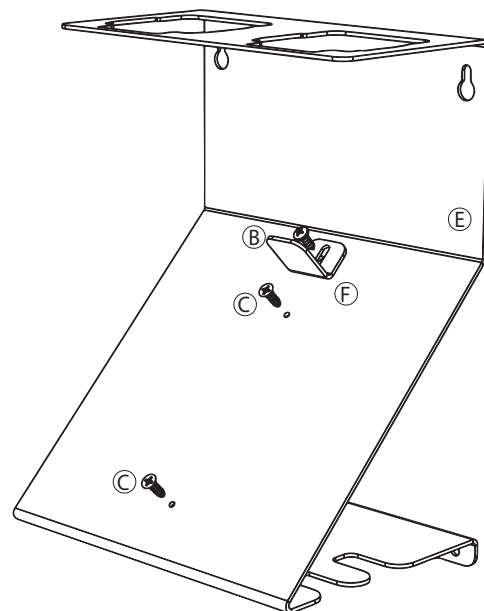
Determine the best location for your Bold MFG Charger Mount (D). Remember to locate it near an outlet for easy access to your charger. Using a level, hold the charger mount up to your wall and mark the upper two installation holes. If you are mounting this to drywall, pre-drill with a 3/16" bit for drywall anchors (D), then tap the anchors in flush. Install the qty 2, #8 x 1 Screws (A) into the anchors or directly into wood and leave them about 1/8" off the wall. Hang the charger through the keyslot holes and then mark the final lower two holes. Finish the installation using the same hardware, (A, D). Fully tighten all the screws to secure the mount to the wall.

Step 2 – Mounting the Charger

The mount has three holes (FIG. 1) in the sheetmetal face for the supplied mounting screws to secure your Ryobi Charger and metal locking tab.

Our mount accommodates 4.50" O.C. spacing.

Using the supplied qty 2, #8 x 1/2" (C) Flat Screws, install them directly into the metal holes using a drill or impact driver. (FIG. 2) These are self tapping screws and will form threads as you install the screws. Leave them about an 1/8" off the surface. Install the charger over the two screws and slide the charger down to lock it in. If the charger will not slide down the screws, the height of the screws needs to be adjusted. Re-adjust until the charger fits securely.



Step 3 – Install the Locking Tab

The Locking Tab (E) will securely hold the charger to the mount. The locking tab is installed with one #8x1/2" (B) Screw. Position the tab as shown in Fig. 1. It helps to install this screw with an extension on your impact driver. The tab is slotted to allow it to be slid tight against the charger. Tighten the screw to snug the tab against the charger.

Step 4 – Get Organized

Used the slotted cord wrap located at the bottom of the charger mount, wrap the excess cord from the charger and plug it into the nearest recepticle. Enjoy your new charging experience! Don't forget to tag @boldmfg and show off your newly organized workspace.