

Installation Guide

HAND MADE
BY TRUE
CRAFTSMEN



Supplies: Tape measure, stud finder, a long level, power drill, pencil, painters tape and chalk line. Included in your package are your handrail brackets, handrail and screws.

Prepare handrail

Handrails longer than 97" are shipped in two or more pieces. Attach the pieces together by fitting the supplied splice in the channel and installing the set screws. Do not overtighten.

All handrail brackets come with holes for installation at any part of the handrail, the rail itself is not pre-drilled, we provide self-drilling screws for installation.

Measure and mark

Use a stud finder to locate and mark the wood blocking in the wall behind the drywall. Mark each with a piece of painters tape and/or pencil approximately 34 to 38-inches above the stairs.

Place a level vertically against the wall at the front edge (nose) of the top landing. Measure straight up 34 to 38-inches and make a mark with painters tape and/or pencil. Repeat this step at the bottom of your stair run on the edge (nose) of the stairs.

Connect the top mark at the at your highest stair and the mark at the bottom of the stairs by snapping a chalk line on the wall. Or by using your painter's tape. This will be the line where your handrail will be located.

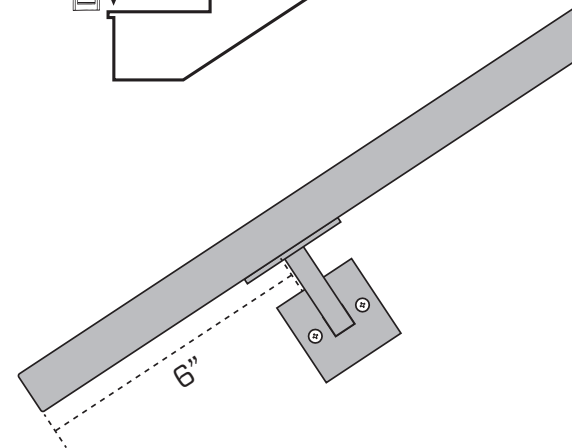
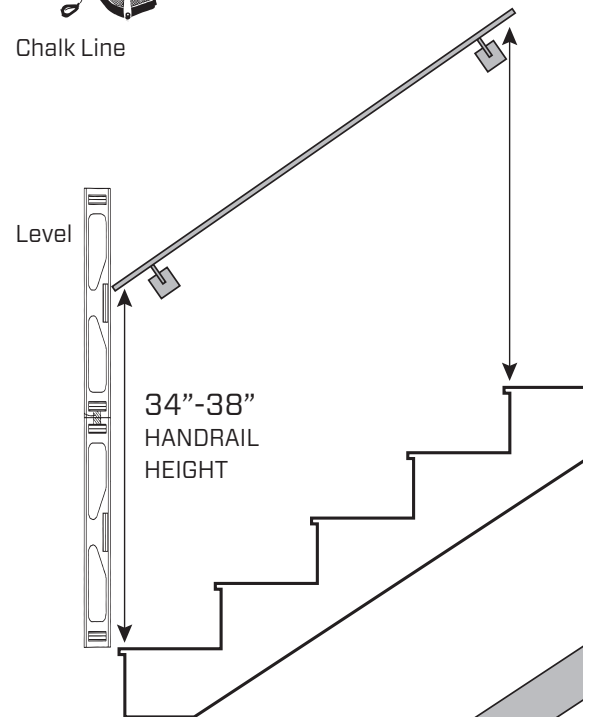
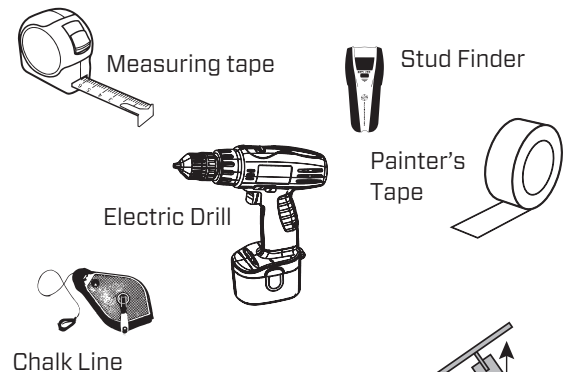
Mark on the wall where each bracket will go, making sure there is a proper blocking behind it. Position the brackets at a height so that the top of the handrail will match up with the chalk line. Place the end brackets at 6" or less from the end of the handrail. Then place the bracket against the wall and put a mark on the wall for each screw hole. Evenly space brackets along the marked line from the first and last bracket.

Attach handrail to wall

Once you have the right height and position of the bracket, begin to attach the brackets loosely to the wall with one screw. Place the handrail on the brackets and adjust the brackets for the proper angle before you securely tighten the brackets to the wall with the rest of the bracket screws provided.

Set and center handrail on the brackets. Mark the screw holes where the brackets will screw into the bottom of the handrail. Remove the handrail and place on a soft surface to not create scratch marks. Use a 1/8" drill bit to drill pilot holes in the handrail.

Place the handrail back on the brackets on the wall and use the self-drilling screws provided and a power drill with a Phillips bit to attach the handrail to the brackets securely.



Be sure to check local building codes before beginning. While the guidelines suggested in these instructions suggest a height between 34" to 38", the local county or city code office will be able to tell you if there are any special requirements in your area.

Installation must be performed by qualified personnel.

Printed in the USA

www.boldmfg.com
sales@boldmfg.com
877-265-3634