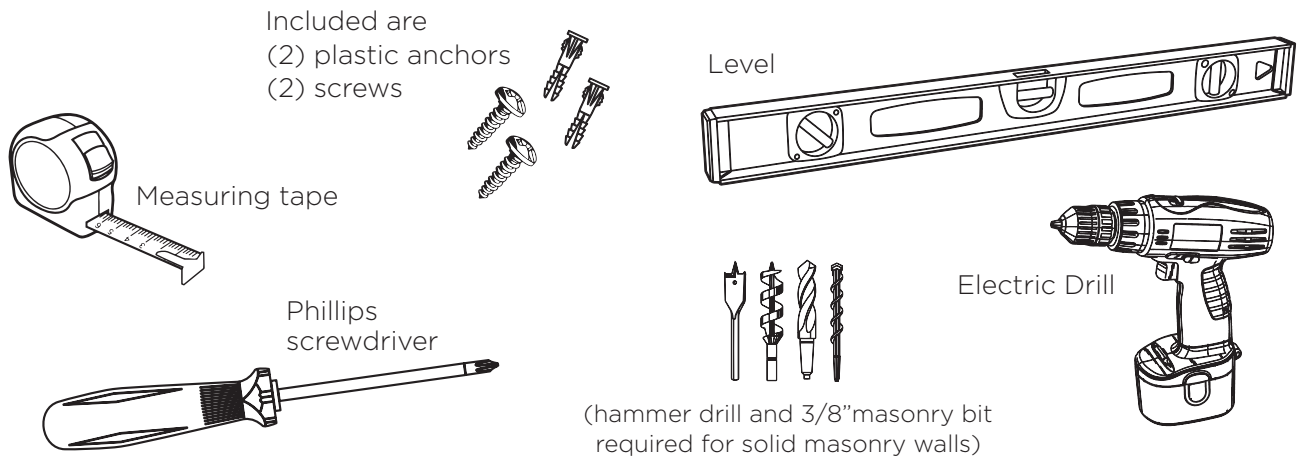


# Gibson Mailbox Installation

HAND MADE  
BY TRUE  
CRAFTSMEN



## Tools & Supplies:



## Instructions:

- 1 Measure the distance between the hardware holes located at the back of your mailbox. From the center of each hardware hole should be 12" inches apart.
- 2 Measure and mark the same distance on your wall. Ensure that the markings are level, so that your mailbox will hang accordingly.
- 3 With the appropriate tool for your exterior covering, drill through your two marked holes.
- 4 If needed, install the plastic anchors (for composite siding, drywall, and masonry walls. Not necessary on wood)
- 5 Install screws. Be sure to leave a  $\frac{3}{4}$ " gap from the wall.
- 6 Hang your mailbox and tighten the screws to secure it.

Continued →

