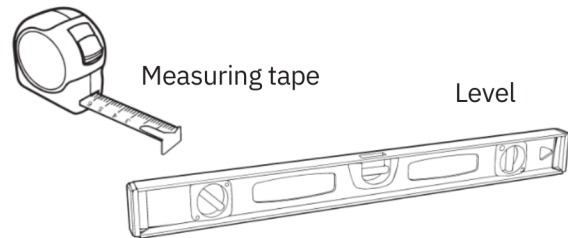
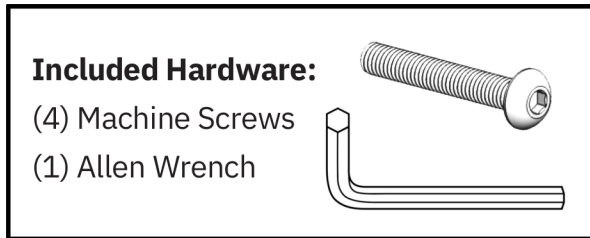
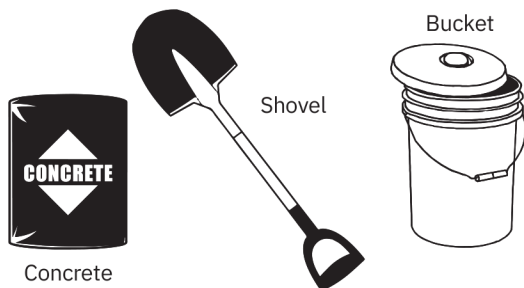


*CURBSIDE MAILBOX INSTALLATION*

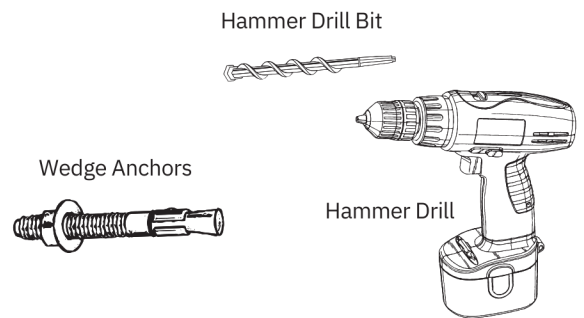
**TOOLS & SUPPLIES**



**60" CONCRETE POST**



**42" FOOTING POST**

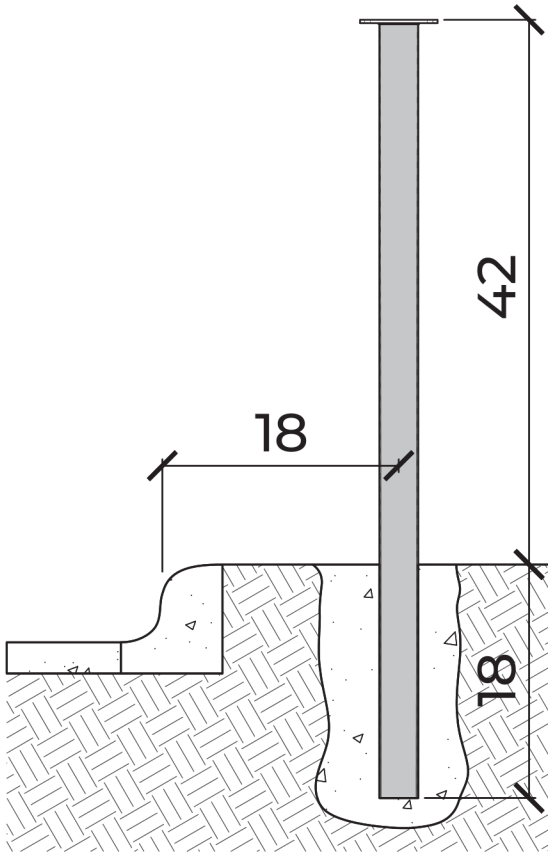


**INSTRUCTIONS**

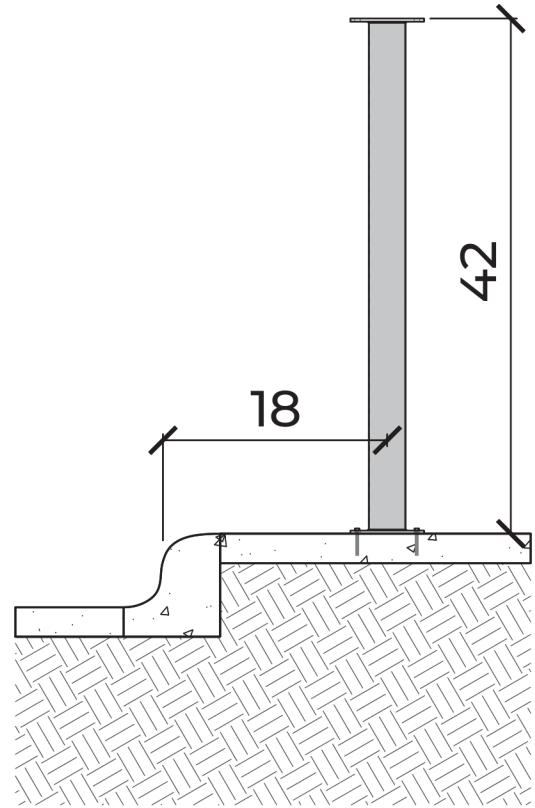
1. Locate the hole location 18" back from the curb. Dig a hole about 20" deep, and 12" wide.
2. Mix the concrete in the bucket. Follow mixing instructions on the bag.
3. Set the top of the post 42" above the ground. Use the level to check plumb. Let the concrete cure at least 2 hrs.
4. Once post is set, use provided machine screws and allen wrench to secure mailbox to the post.

1. Mark out the hole locations for the concrete anchors, centering the post 18" back from the curb.
2. Drill the holes for the anchors. (Use a 3/8" masonry bit for 3/8" steel expansion wedge anchor)
3. Set the anchors through the baseplate holes to ensure alignment. (the side with square holes goes up.)
4. Tighten the post down and check plumb with level. Shim if necessary.
5. Once post is set, use provided machine screws and allen wrench to secure mailbox to the post.

60" CONCRETE POST



42" FOOTING POST



Per U.S. Postal Service Standard – Mailboxes, Curbside, paragraph 3.12.1

Assembly and Installation: A complete set of instructions for assembling and mounting the mailbox shall be furnished with each unit. The instructions must include the following conspicuous message:

PURCHASER IS REQUIRED TO CONTACT THE LOCAL POST OFFICE BEFORE INSTALLING THE MAILBOX TO ENSURE ITS CORRECT PLACEMENT AND HEIGHT AT THE STREET. GENERALLY, MAILBOXES ARE INSTALLED AT A HEIGHT OF 41 - 45 in. FROM THE ROAD SURFACE TO INSIDE FLOOR OF THE MAILBOX OR POINT OF MAIL ENTRY (LOCKED DESIGNS) AND ARE SET BACK 6 - 8 in. FROM FRONT FACE OF CURB OR ROAD EDGE TO THE MAILBOX DOOR.

Have questions? Please contact us at [sales@boldmfg.com](mailto:sales@boldmfg.com)