

DuraMAC™ - Vertical Multistage Variable Speed Simplex Booster System

The DuraMAC™ 1 1/2 to 3 HP Vertical Multistage Variable Speed Simplex Booster capable of up to 140 PSI and 40 gallons per minute (GPM). It's simple, versatile, sophisticated, and reliable. The Vertical Multistage Variable Speed Booster System changes motor speed based on demands of the system, which allows users to save energy costs over traditional constant speed booster systems.

Features:

- Easy set-up installation
- Variable speed control
- Stainless steel pump
- Energy efficient NEMA TEFC motors
- Liquid filled gauge
- Stainless steel base
- NEMA 1 enclosure
- 1 1/4" Suction & 1 1/4" Discharge
- Discharge transducer



See Pumps & Accessories Price List for Limited Warranty details.

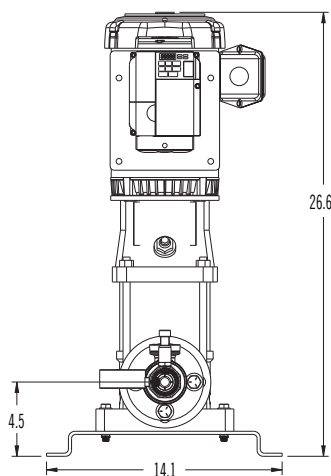
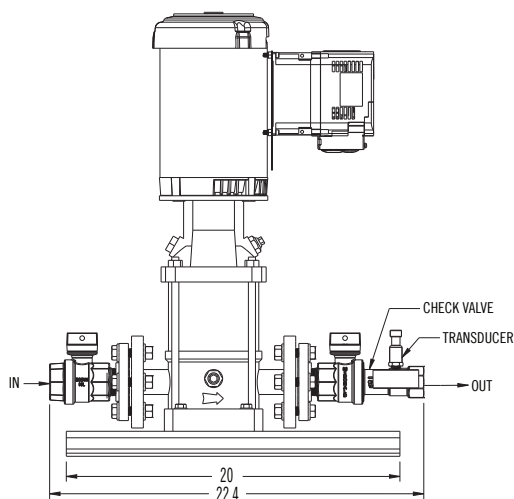
Models Available

Model	Description	Pump Boost	Voltage	GPM	HP
17103V020Y-1	103 PSI 230V VFD Booster	103 PSI	230V Single Phase	20	1 1/2
17103V020Y-3	103 PSI 230V VFD Booster	103 PSI	230V Three Phase	20	1 1/2
17140V020Y-1	140 PSI 230V VFD Booster	140 PSI	230V Single Phase	20	2
17140V020Y-3	140 PSI 230V VFD Booster	140 PSI	230V Three Phase	20	2
17066V040Y-1	66 PSI 230V VFD Booster	66 PSI	230V Single Phase	40	2
17066V040Y-3	66 PSI 230V VFD Booster	66 PSI	230V Three Phase	40	2
17110V040Y-1	110 PSI 230V VFD Booster	110 PSI	230V Single Phase	40	3
17110V040Y-3	110 PSI 230V VFD Booster	110 PSI	230V Three Phase	40	3
17122V040Y-1	122 PSI 230V VFD Booster	122 PSI	230V Single Phase	40	3
17122V040Y-3	122 PSI 230V VFD Booster	122 PSI	230V Three Phase	40	3

DuraMAC™ - Vertical Multistage Variable Speed Simplex Booster System

Control Features

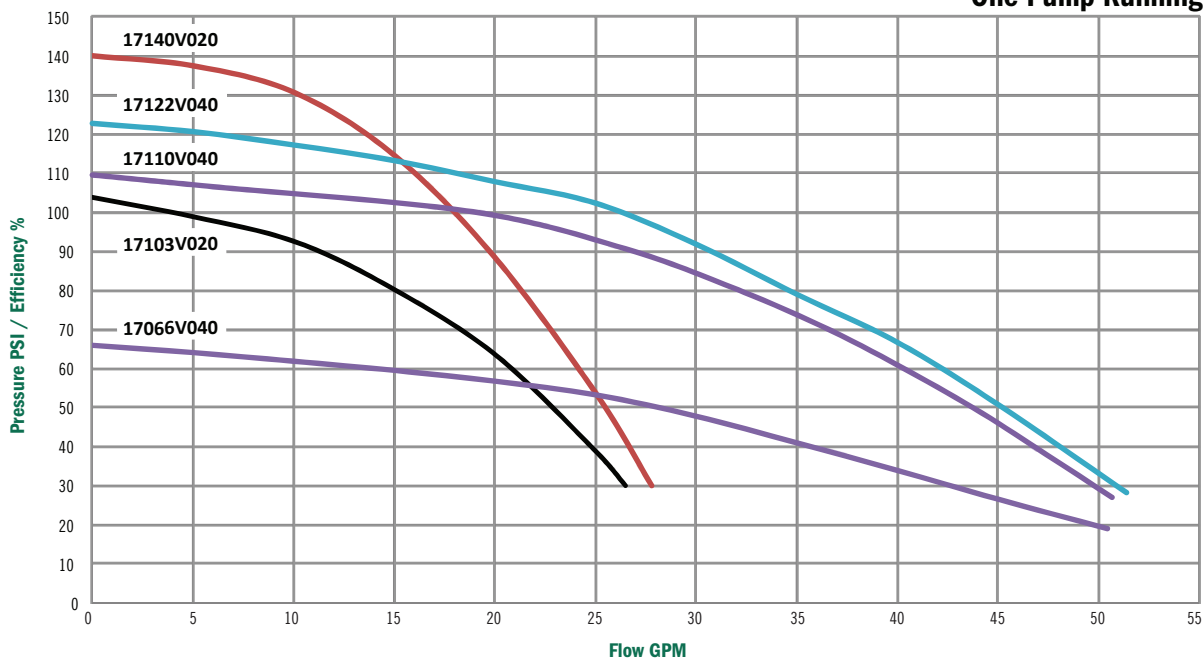
- Sleep Mode / Low Flow Protection
- Automatic system restart
- Sleep boost
- Dry run protection



DuraMAC™ Booster Pumps

DuraMAC

60 Hz Pump Performance One Pump Running



Materials of Construction

- Impellers	304 Stainless Steel	- Pump Seal (rotating)	Carbon / NBR
- Pump Casing Inlet	301 Stainless Steel	- Diffuser	304 Stainless Steel
- Pump Casing Outlet	301 Stainless Steel	- Base	304 Stainless Steel
- Pump Seal (stationary)	Silicon Carbide		